

[54] PORTABLE RADIO TELEPHONE OR THE LIKE

[75] Inventor: Guenter Specht, Munich, Fed. Rep. of Germany

[73] Assignee: Siemens Aktiengesellschaft, Berlin & Munich, Fed. Rep. of Germany

[**] Term: 14 Years

[21] Appl. No.: 389,262

[22] Filed: Jun. 17, 1982

[30] Foreign Application Priority Data

Dec. 21, 1981 [DE] Fed. Rep. of Germany MR.BD9NR.12782

[52] U.S. Cl. D14/53; D8/65

[58] Field of Search D14/53, 59, 60, 62, D14/64; 179/178, 179, 2 EA, 2 E; 455/89, 128, 351; D3/76

[56] References Cited

U.S. PATENT DOCUMENTS

- D. 142,873 11/1945 Knore D14/53
- D. 222,478 10/1971 Massaccesi et al. D3/76
- D. 263,702 4/1982 Fukushima et al. D14/53
- D. 270,534 9/1983 Bloem, Sr. D14/53

- 2,475,578 7/1949 Halstead 455/89
- 2,816,628 12/1957 Garfield D3/76
- 2,935,606 3/1960 Harrison et al. 455/89
- 2,984,740 5/1961 Madland et al. 455/89
- 3,546,396 12/1970 Mancheschi 179/178

OTHER PUBLICATIONS

W. Bell & Co., 1981 Catalog, pp. 210, 211, showing sundry varieties of attache cases.

Primary Examiner—Wallace R. Burke
Assistant Examiner—Horace B. Fay
Attorney, Agent, or Firm—Hill, Van Santen, Steadman & Simpson

CLAIM

The ornamental design for a portable radio telephone or the like, substantially as shown and described.

DESCRIPTION

FIG. 1 is a right front elevational perspective view of a portable radio telephone showing my new design, with the case in opened position displaying the interior arrangement;

FIG. 2 is a right front elevational perspective view thereof showing the case in closed position; with the handset and power cord positioned outside of the case.

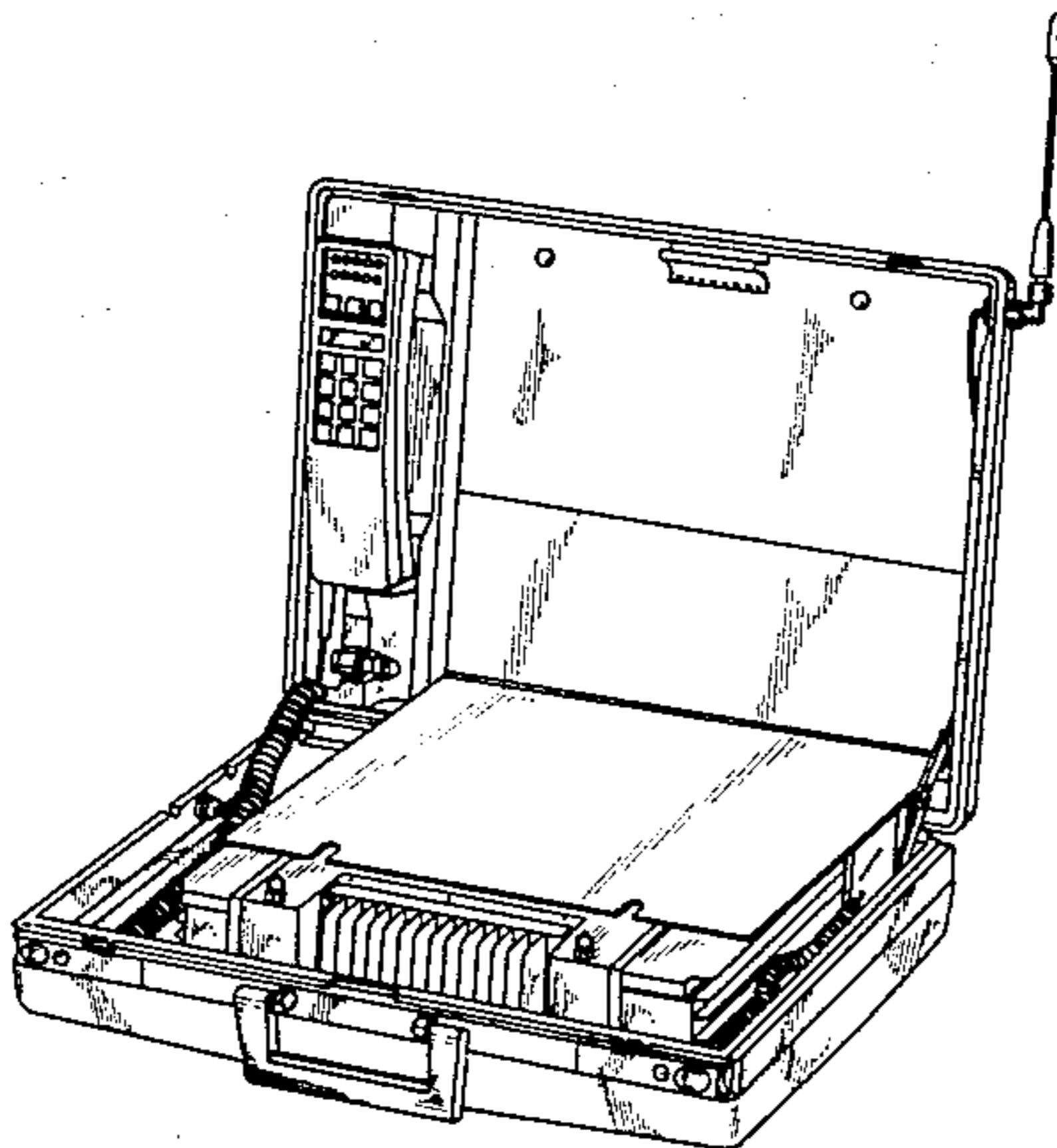


FIG 1

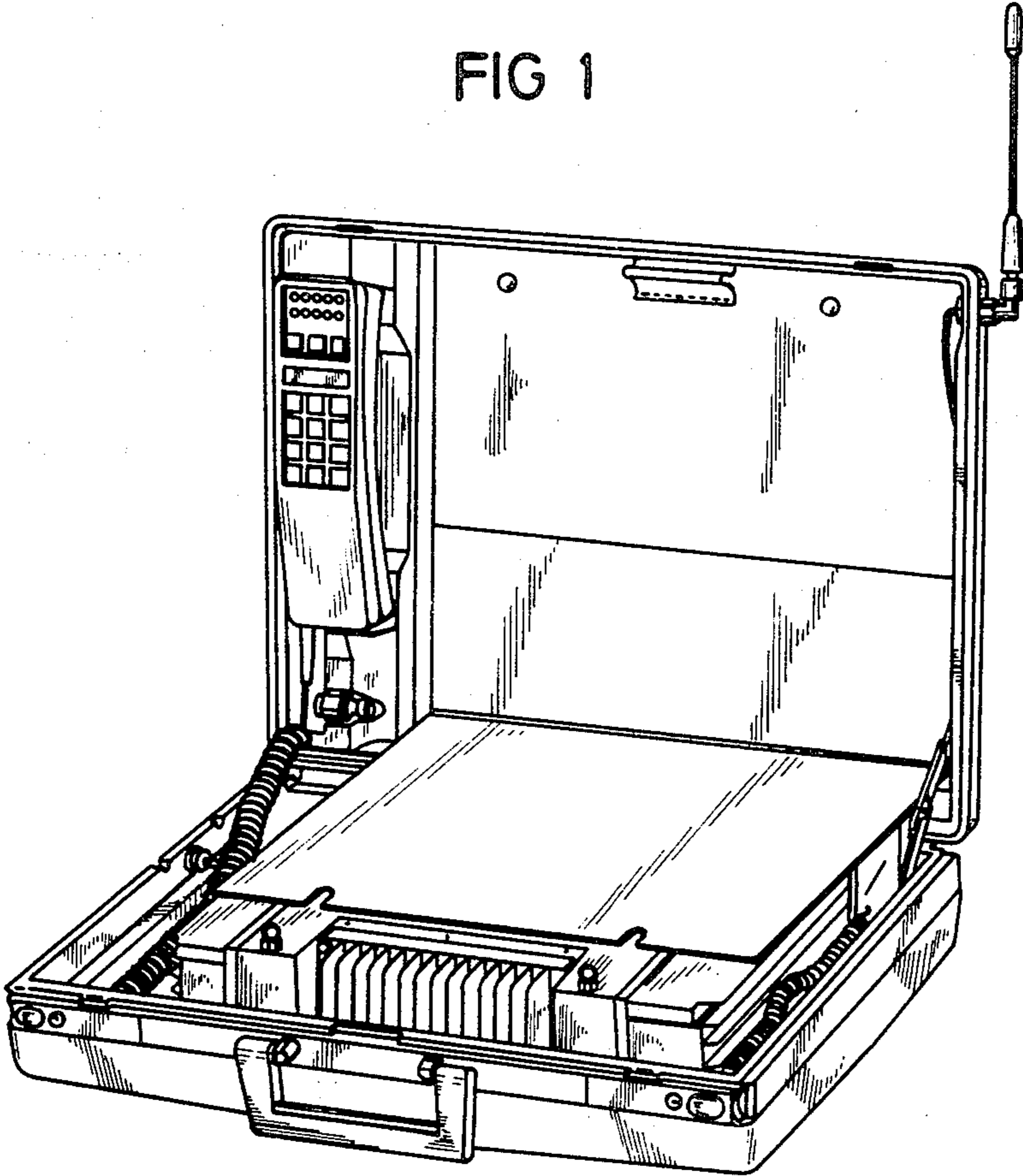


FIG 2

