

[54] **CONTINUOUS ELECTRICAL TRACK SYSTEM**

[75] **Inventor: Michael Humphreys, London, England**

[73] **Assignee: Electrak International, Ltd., London, England**

[**] **Term: 14 Years**

[21] **Appl. No.: 345,319**

[22] **Filed: Feb. 3, 1982**

[30] **Foreign Application Priority Data**

Aug. 6, 1981 [GB] United Kingdom 1001839
[52] **U.S. Cl. D13/13; D13/24**
[58] **Field of Search D13/12, 13, 24, 30; 339/20-23**

[56] **References Cited**

U.S. PATENT DOCUMENTS

3,622,938 11/1971 Ito et al. 339/21 R
4,003,618 1/1977 Booty 339/22 R

OTHER PUBLICATIONS

Wiremold Co. Surface Metal Raceways/Multi-Outlet Systems Catalog, 1967, p. 3, Raceway-2 piece #2600.

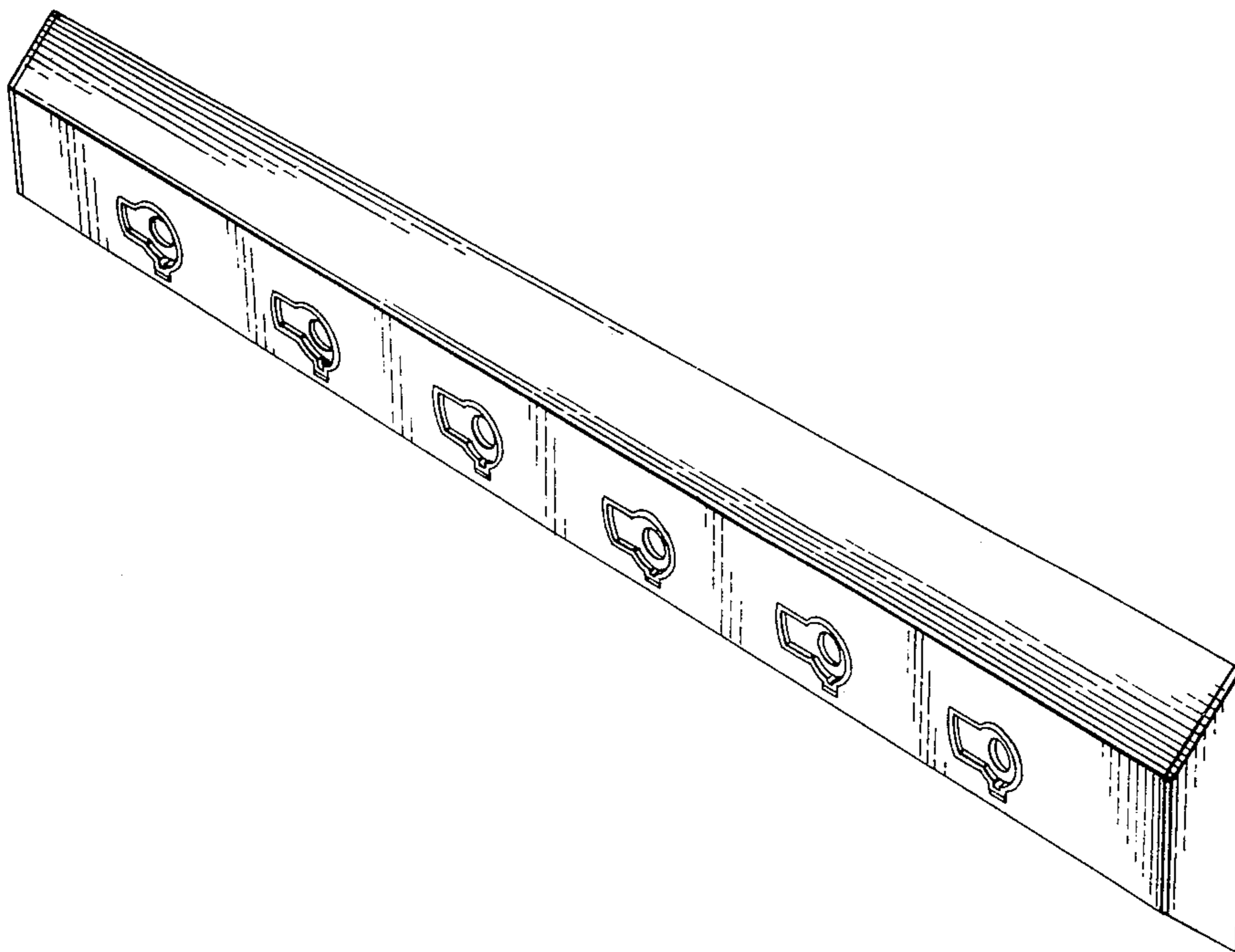
Primary Examiner—Susan J. Lucas
Attorney, Agent, or Firm—Krass & Young

[57] **CLAIM**

The ornamental design for a continuous electrical track system, as shown.

DESCRIPTION

FIG. 1 is a perspective view of the continuous electrical track system showing my new design; FIG. 2 is an end elevational view thereof, and FIG. 3 is a side elevational view thereof.



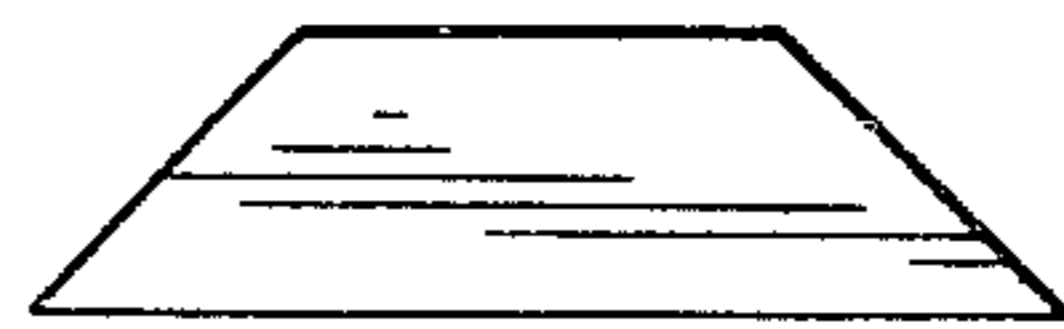
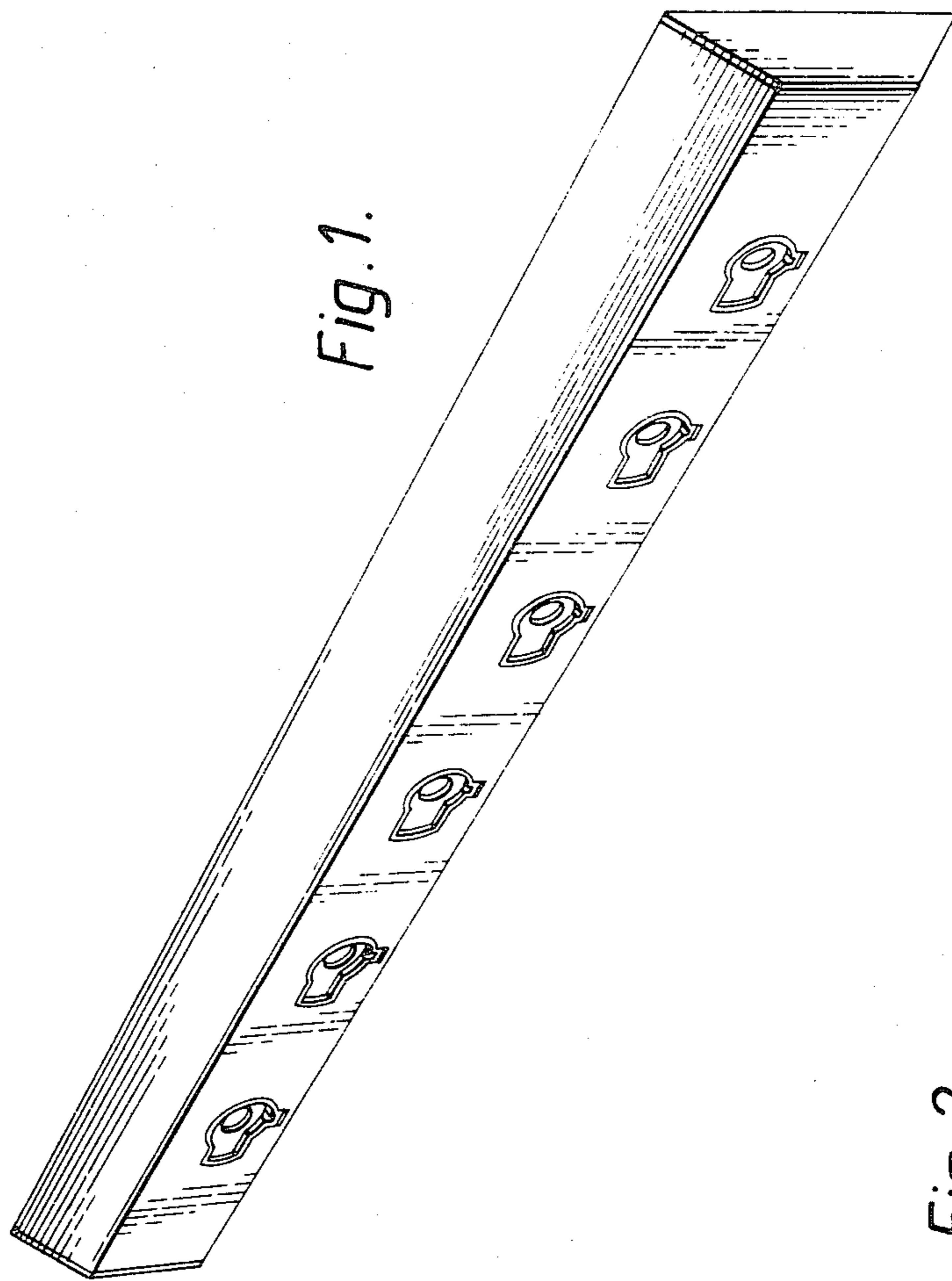


Fig. 3.

