

[54] INSTRUMENT PANEL AND HOUSING FOR A MOTORCYCLE

[75] Inventor: Katsusuke Komuro, Chofu, Japan

[73] Assignee: Honda Giken Kogyo Kabushiki Kaisha, Tokyo, Japan

[**] Term: 14 Years

[21] Appl. No.: 405,704

[22] Filed: Aug. 5, 1982

[30] Foreign Application Priority Data

Feb. 5, 1982 [JP] Japan 57-4642

[52] U.S. Cl. D12/192

[58] Field of Search D12/192, 114; D10/53, D10/98, 102, 122-126; 73/431, 432 AD; 116/300; 180/90; 280/289 R, 289 H; 235/95 R

[56] References Cited PUBLICATIONS

Cycle World, 7/81, p. 69, Suzuki's Katana Instrument Panel, lower left side of page.
Cycle World, 4/81, p. 64, Suzuki GS1100 Instrument Cluster, center of page.

Primary Examiner—James M. Gandy
Attorney, Agent, or Firm—Armstrong, Nikaido, Marmelstein & Kubovcik

[57] CLAIM

The ornamental design for an instrument panel and housing for a motorcycle, as shown and described.

DESCRIPTION

FIG. 1 is a front elevational view of an instrument panel and housing for a motorcycle showing my new design; FIG. 2 is a rear elevational view thereof; FIG. 3 is a top plan view thereof; FIG. 4 is a bottom plan view thereof; FIG. 5 is a right side elevational view thereof; FIG. 6 is a left side elevational view thereof; FIG. 7 is a front elevational view thereof with the panel indicia displayed; and FIG. 8 is a front elevational view thereof with the panel indicia displayed in an operative condition.

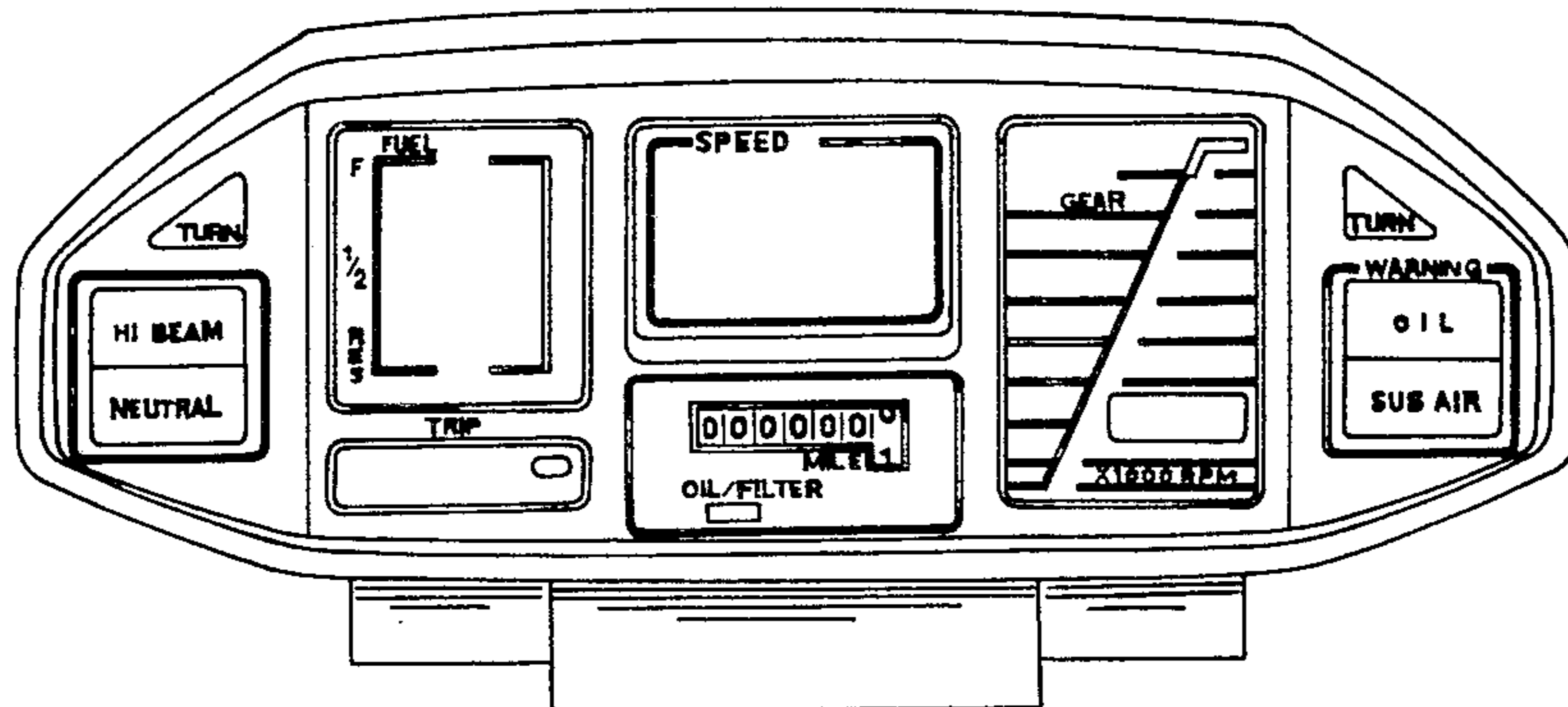


FIG. 1

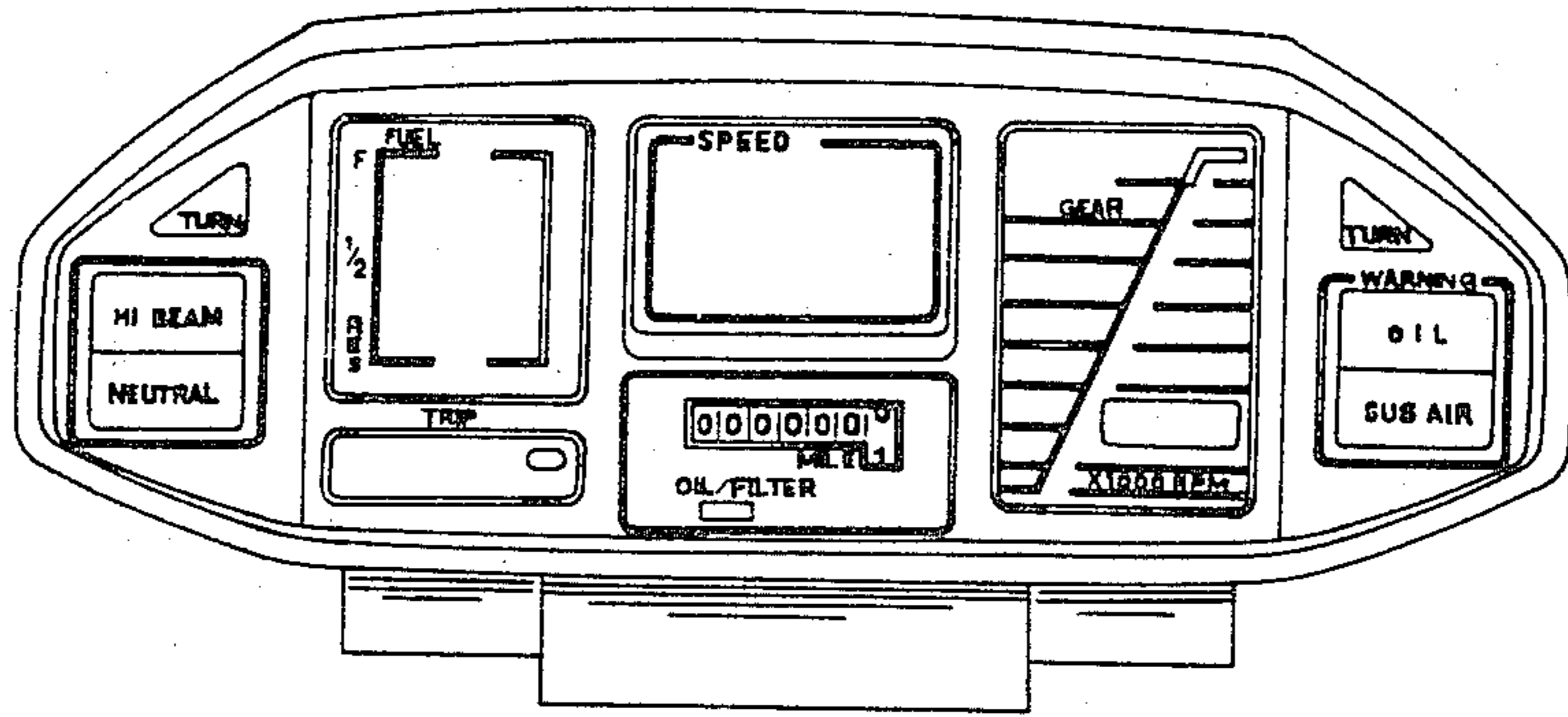


FIG. 2

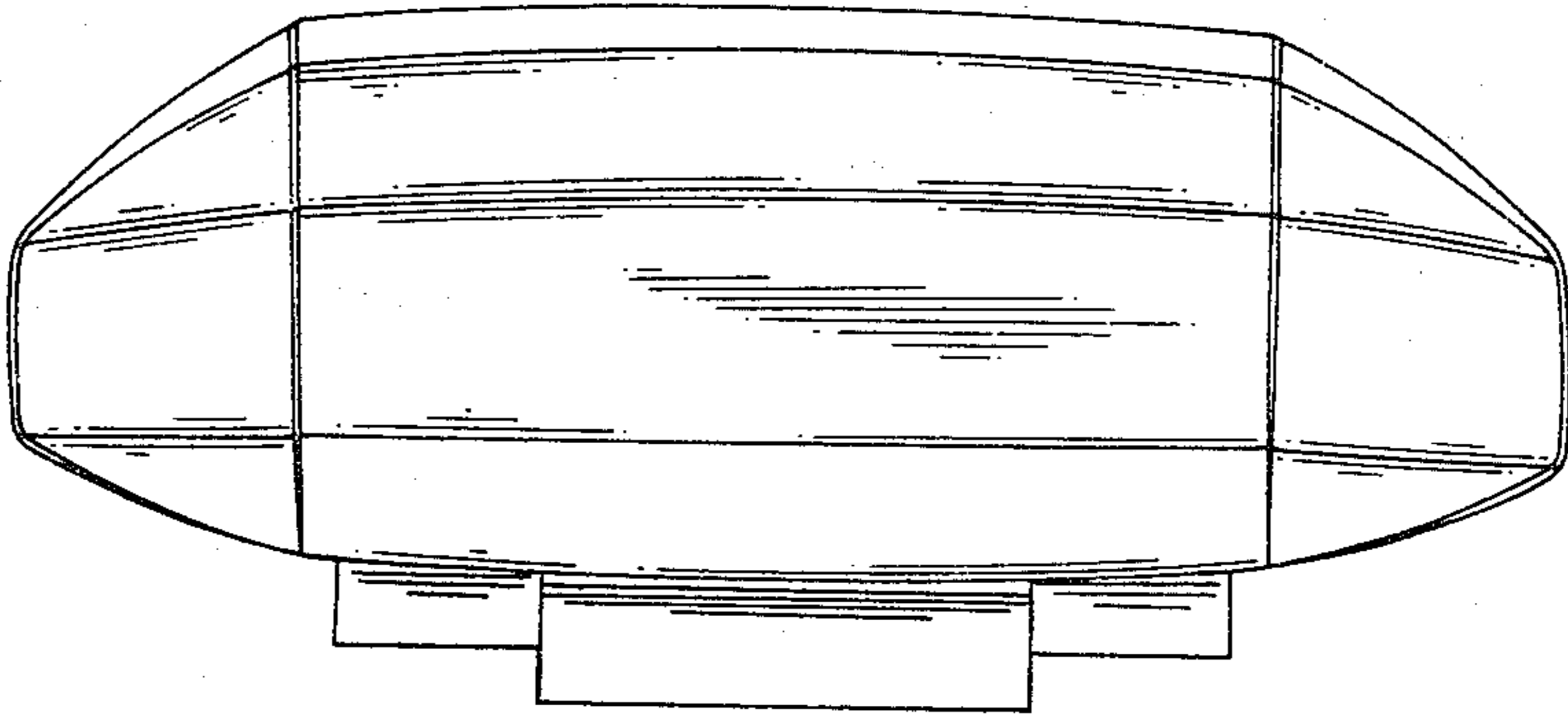


FIG. 3

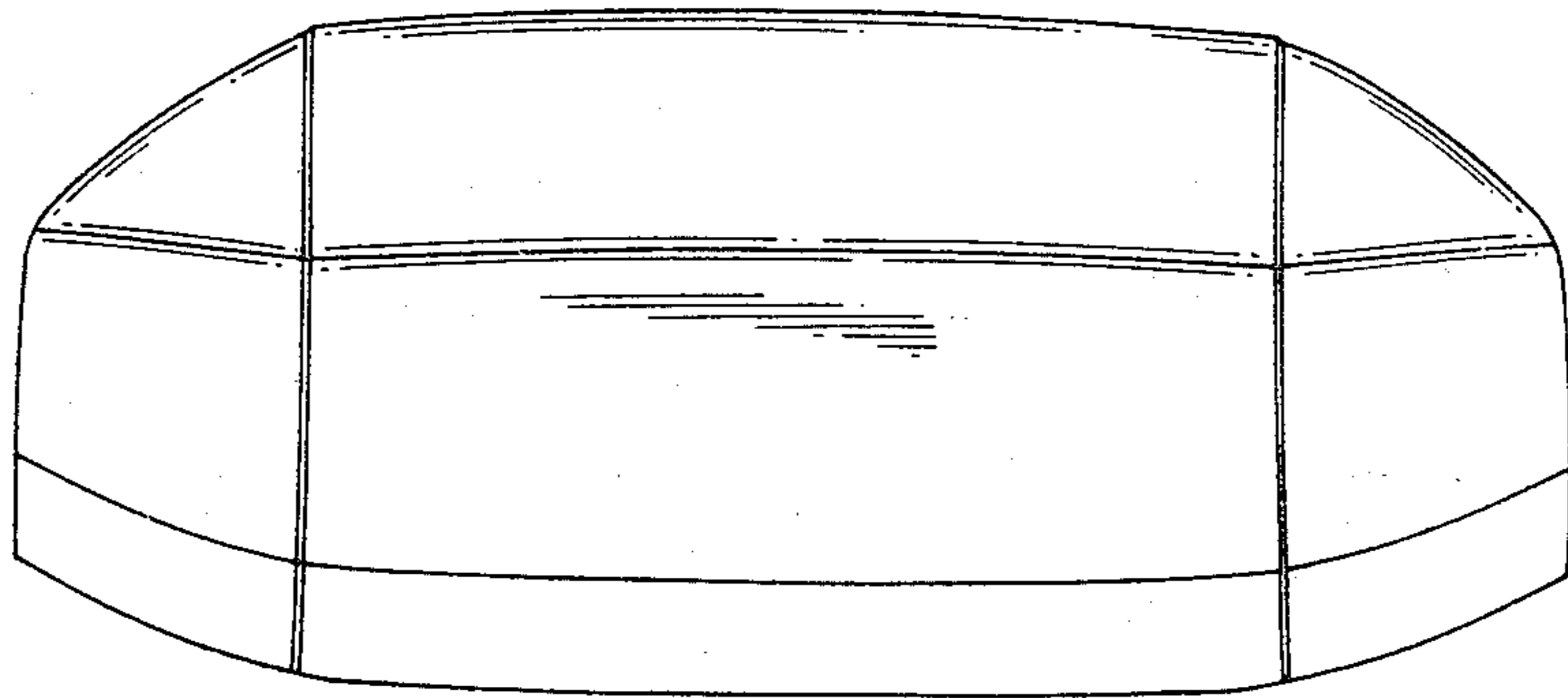


FIG. 4

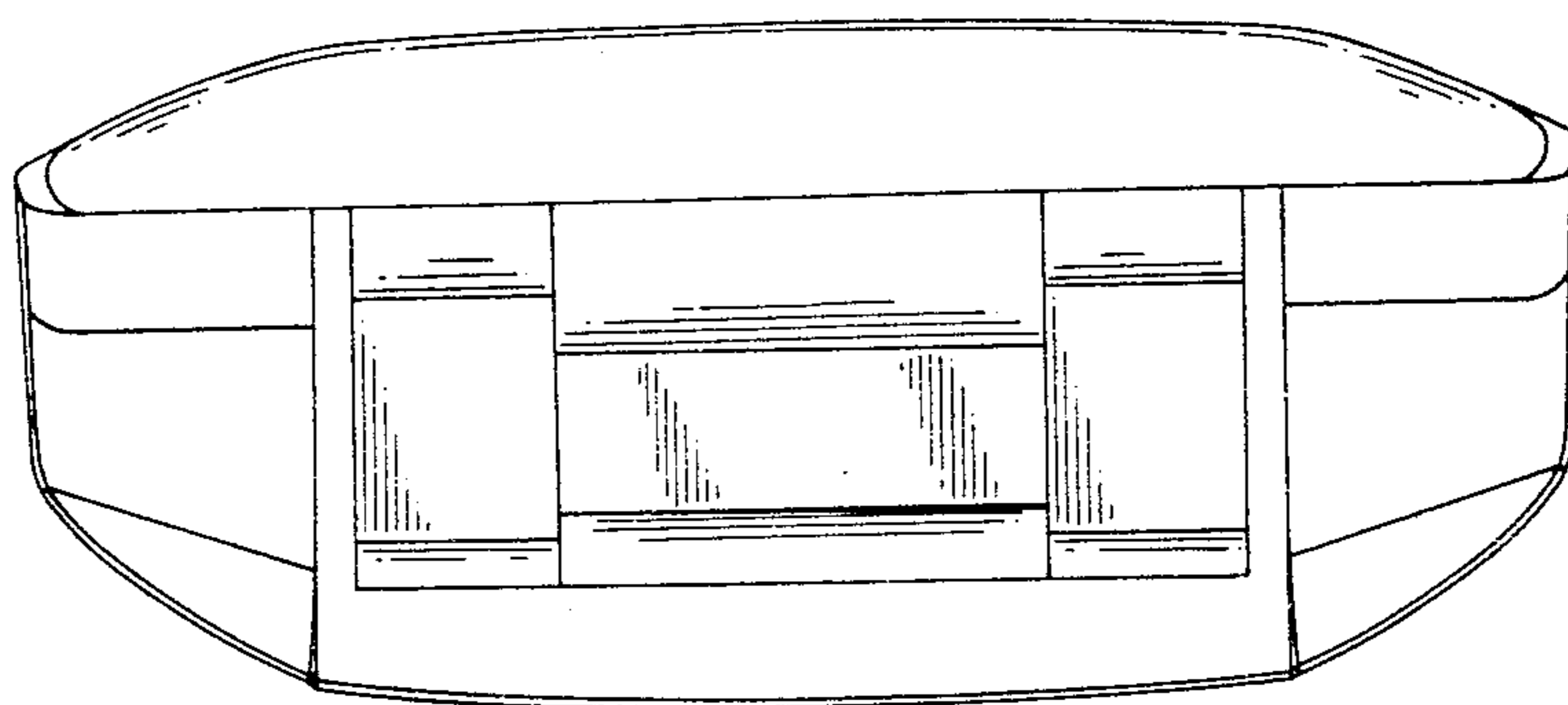


FIG. 5

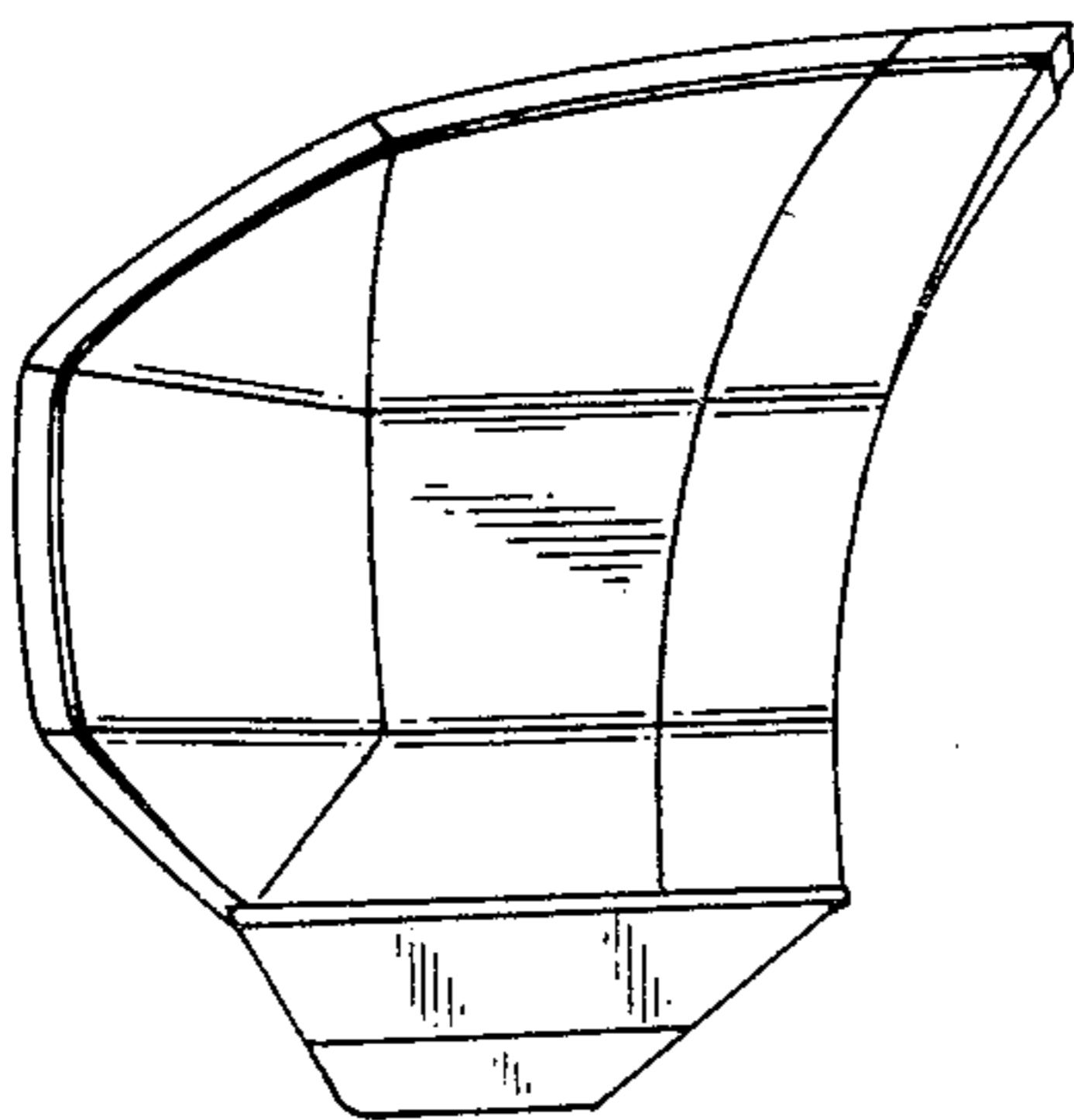


FIG. 6

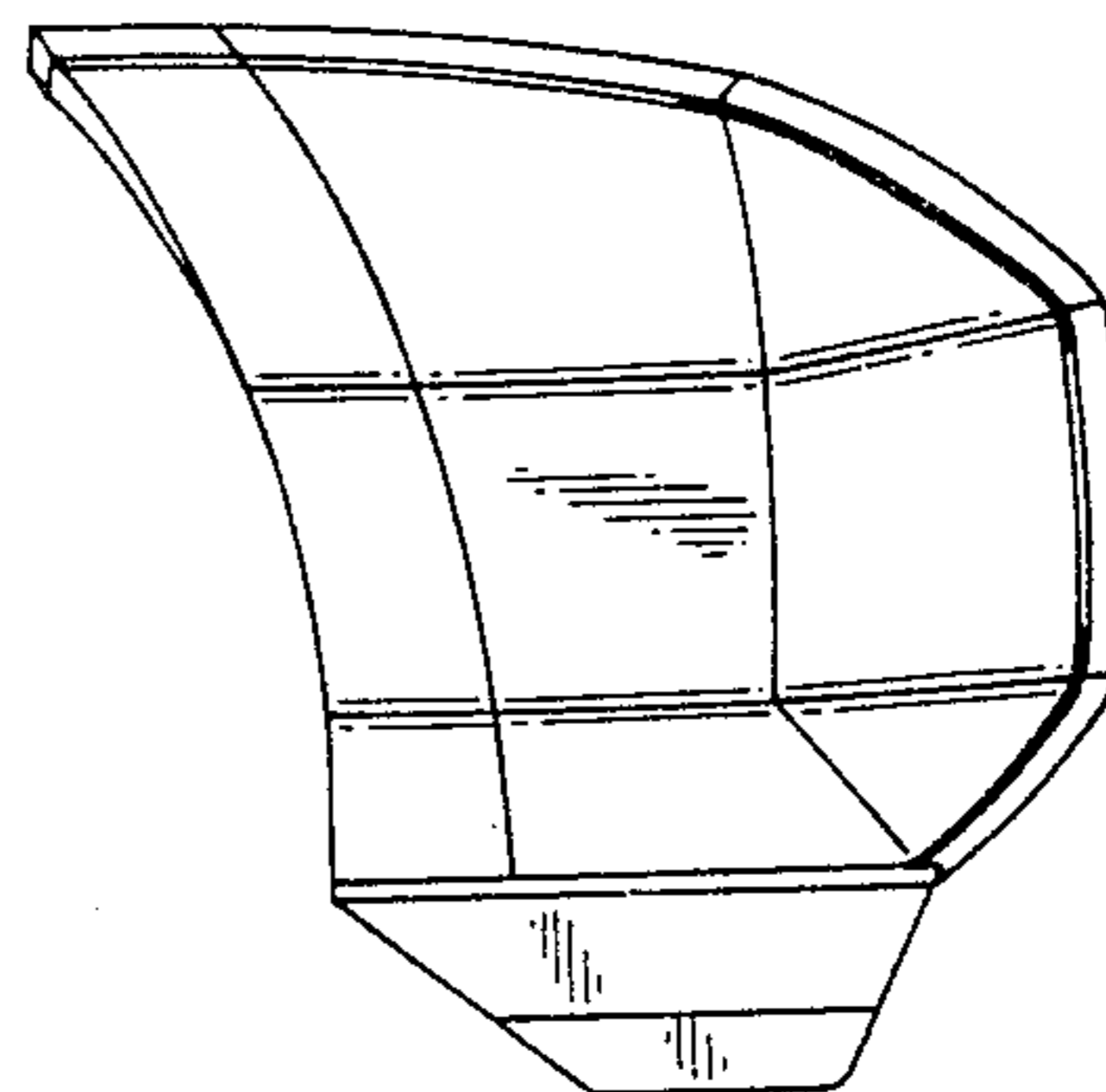


FIG. 7

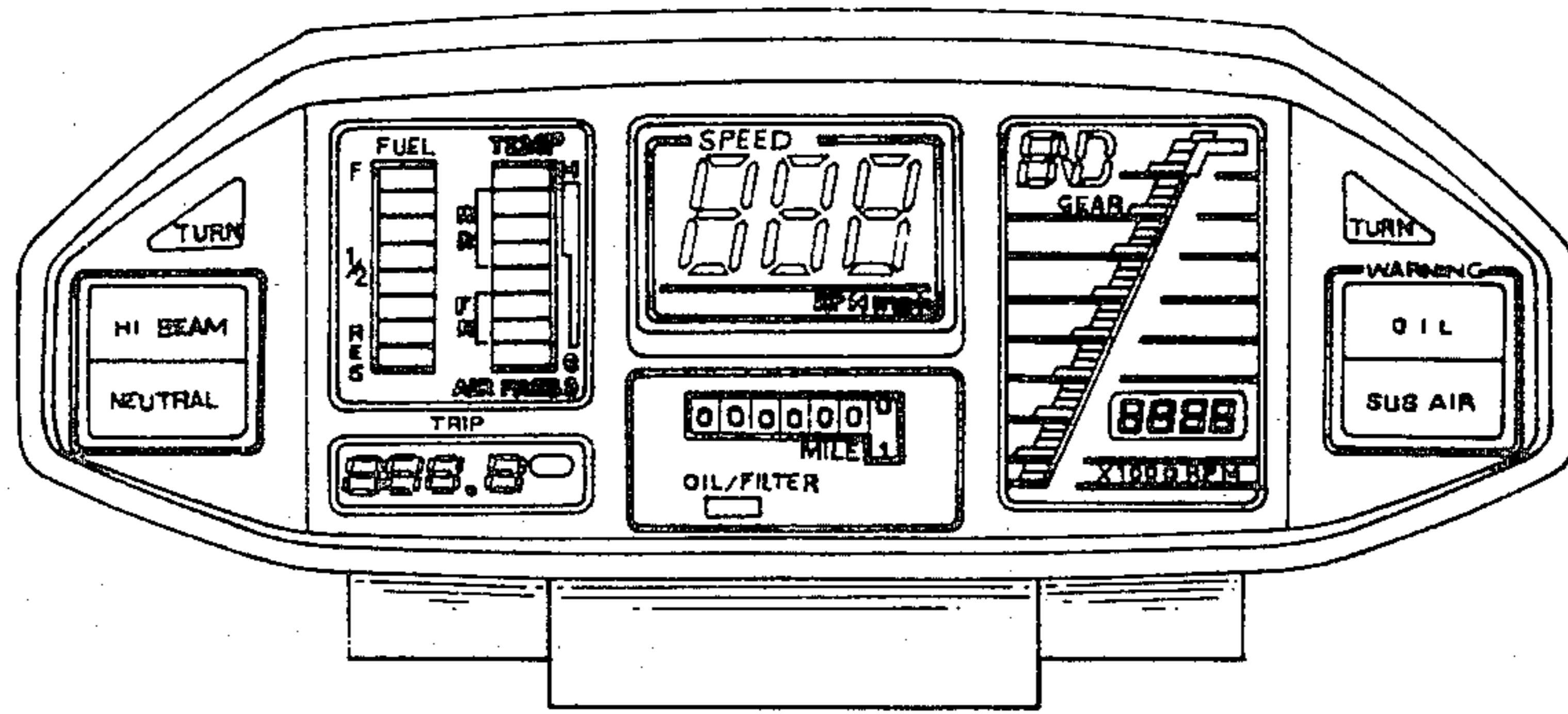


FIG. 8

