

[54] **TRAILER**

[76] **Inventor: Allan G. Jenkins, 16 Catalina Crescent, Milford, Auckland, New Zealand**

[**] **Term: 14 Years**

[21] **Appl. No.: 418,481**

[22] **Filed: Sep. 15, 1982**

[30] **Foreign Application Priority Data**

Mar. 25, 1982 [NZ] New Zealand 17601
[52] **U.S. Cl.** **D12/101**
[58] **Field of Search** D12/101; 280/400, 789,
280/800, 62; 296/182, 181

[56]

References Cited

U.S. PATENT DOCUMENTS

D. 219,964 2/1971 Ransom D12/101
D. 245,495 8/1977 Henderson D12/101
D. 258,730 3/1981 Jenkins D12/101
D. 263,238 3/1982 Lazzeroni D12/101

Primary Examiner—James M. Gandy
Attorney, Agent, or Firm—Thorpe, North & Western

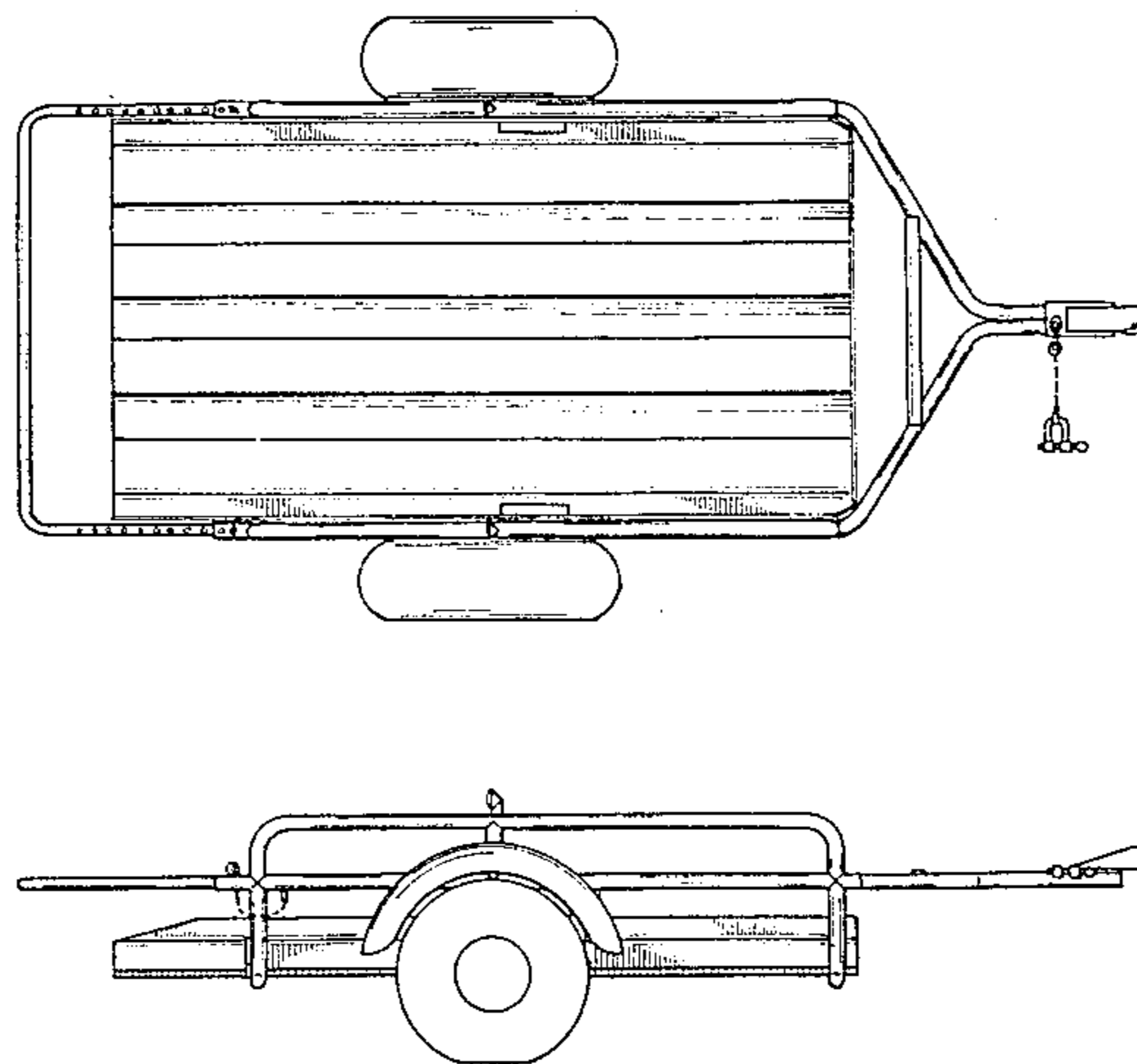
[57]

CLAIM

The ornamental design for a trailer, as shown and described.

DESCRIPTION

FIG. 1 is a top plan view of a trailer showing my new design;
FIG. 2 is a side elevation view thereof, the opposite side being a mirror image of that shown;
FIG. 3 is a rear elevation view thereof; and
FIG. 4 is a bottom plan view thereof.
The outer surface of the upstanding front wall of the trailer bed is understood to be flat and unornamented.



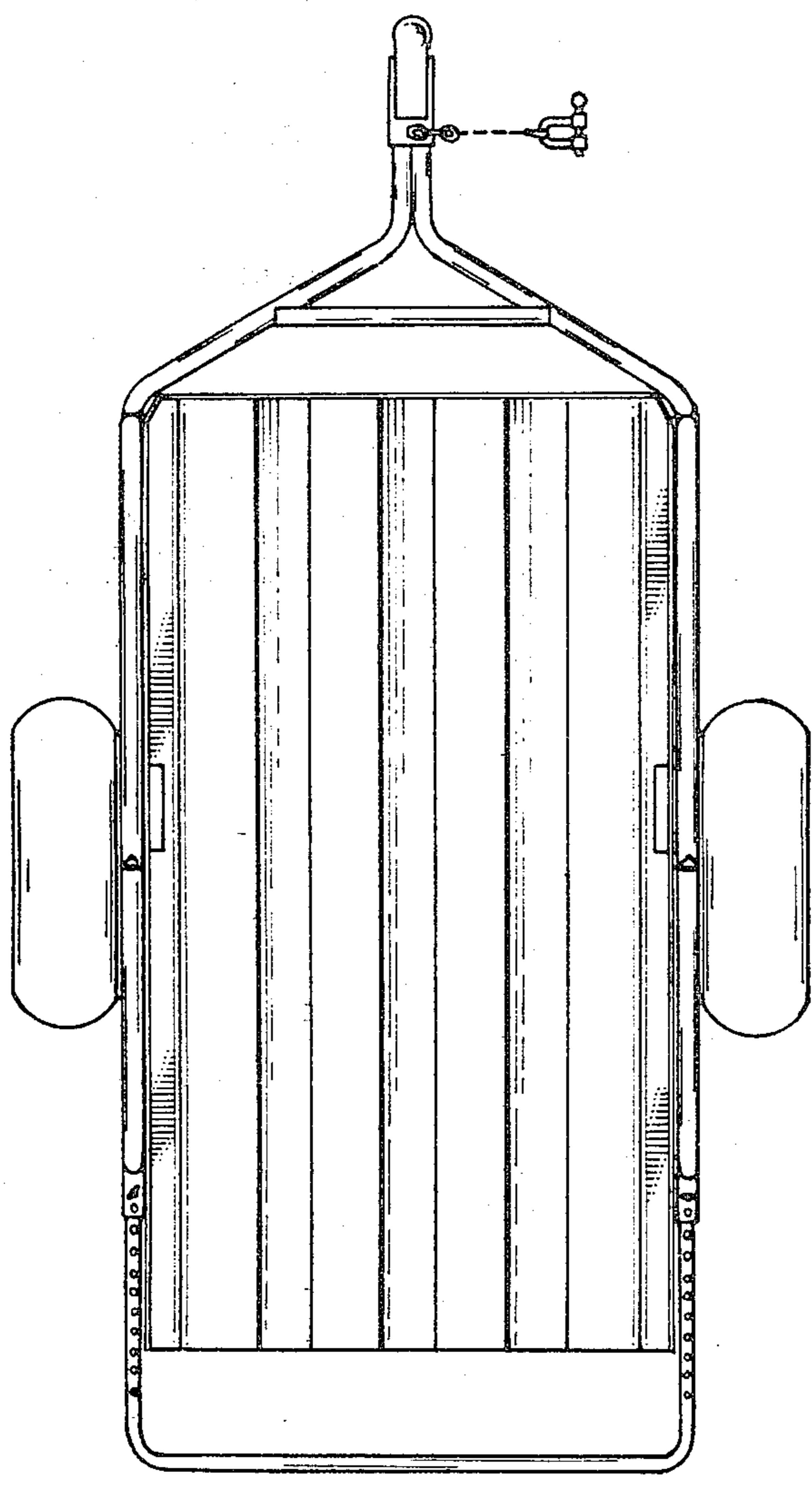


FIG 1

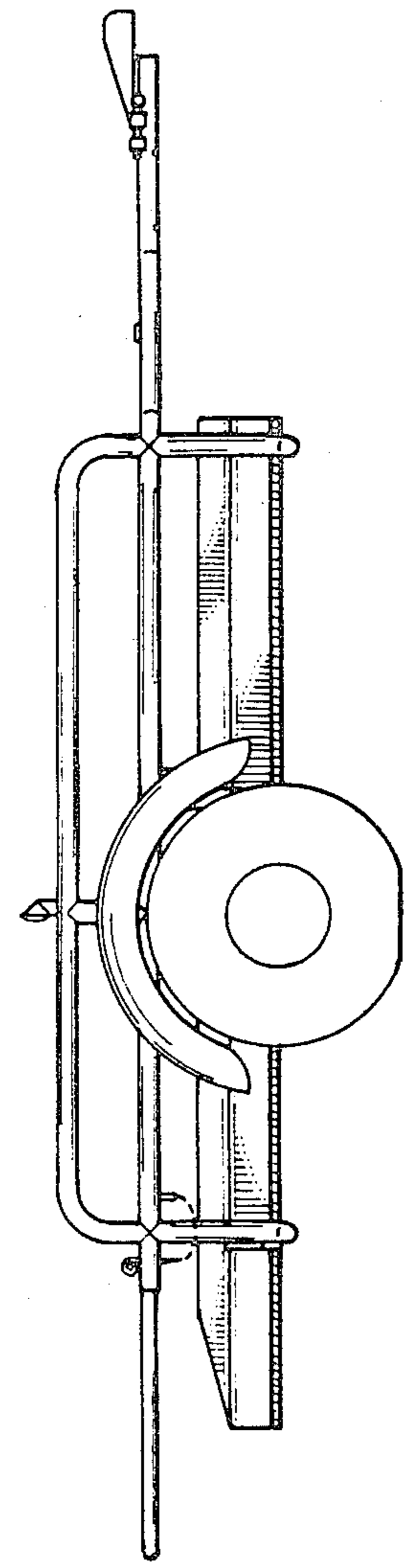


FIG 2

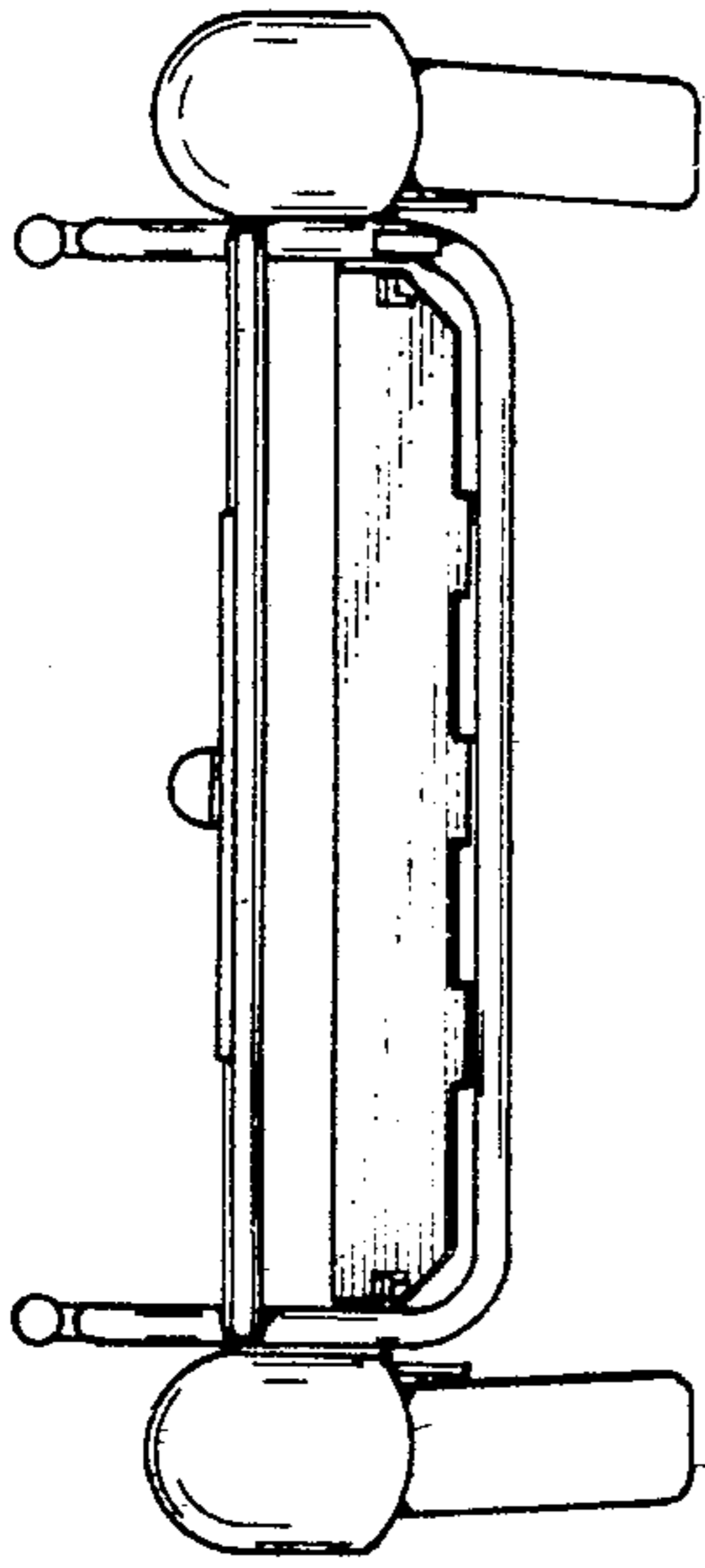


FIG 3

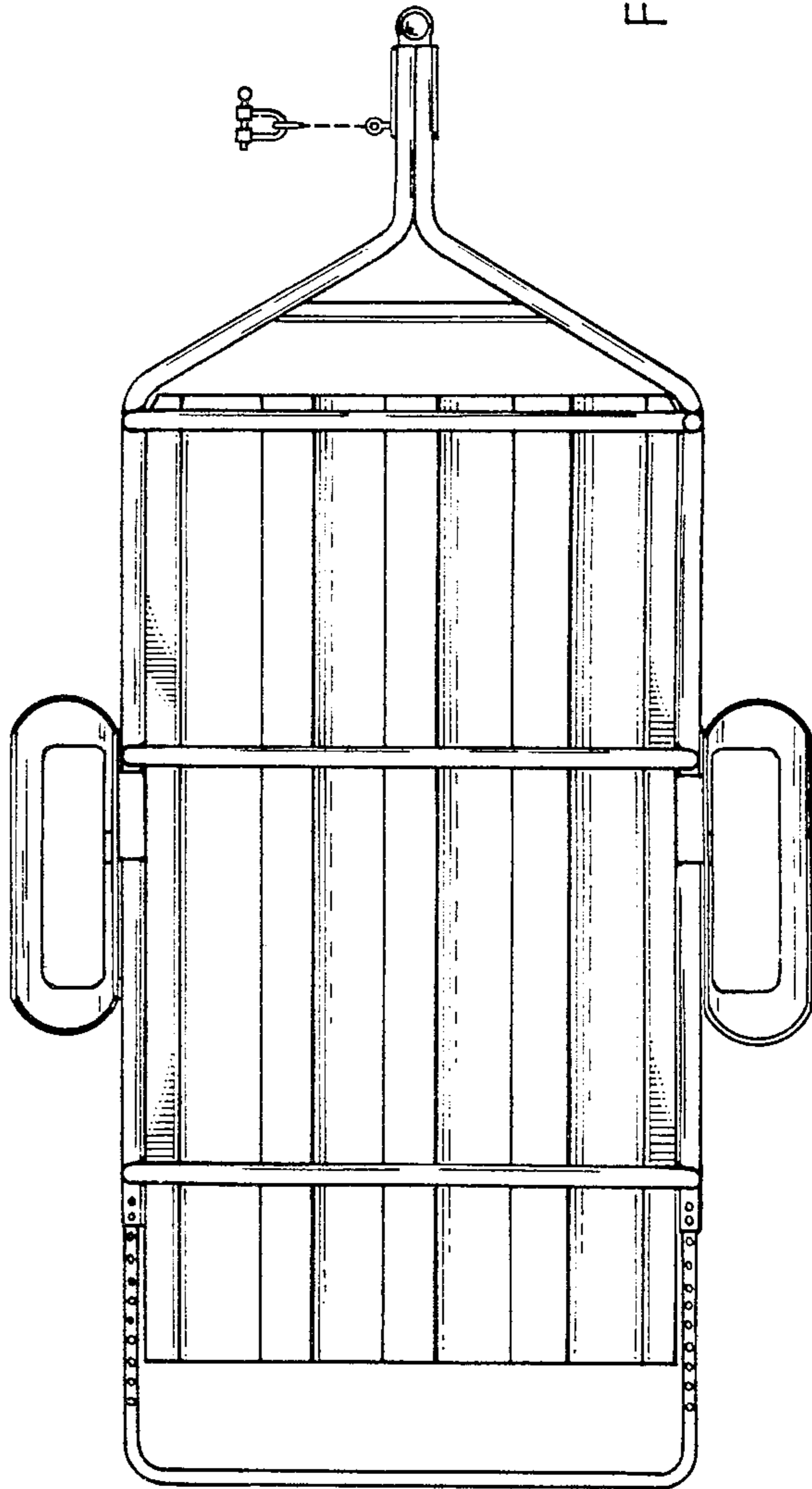


FIG 4