

[54] PACKAGING CONTAINER

[56] References Cited

[75] Inventor: Kenneth B. Dart, Okemos, Mich.

U.S. PATENT DOCUMENTS

[73] Assignee: Dart Container Corporation, Mason, Mich.

- D. 241,821 10/1976 Jewell D9/423 X
- D. 241,822 10/1976 Jewell D9/423
- D. 256,097 7/1980 Amberg D9/423
- 4,183,446 1/1980 Davis D9/426 X

[**] Term: 14 Years

Primary Examiner—Robert C. Spangler
Attorney, Agent, or Firm—Miller, Morriss & Pappas

[21] Appl. No.: 533,574

[57] CLAIM

The ornamental design for a packaging container, as shown and described.

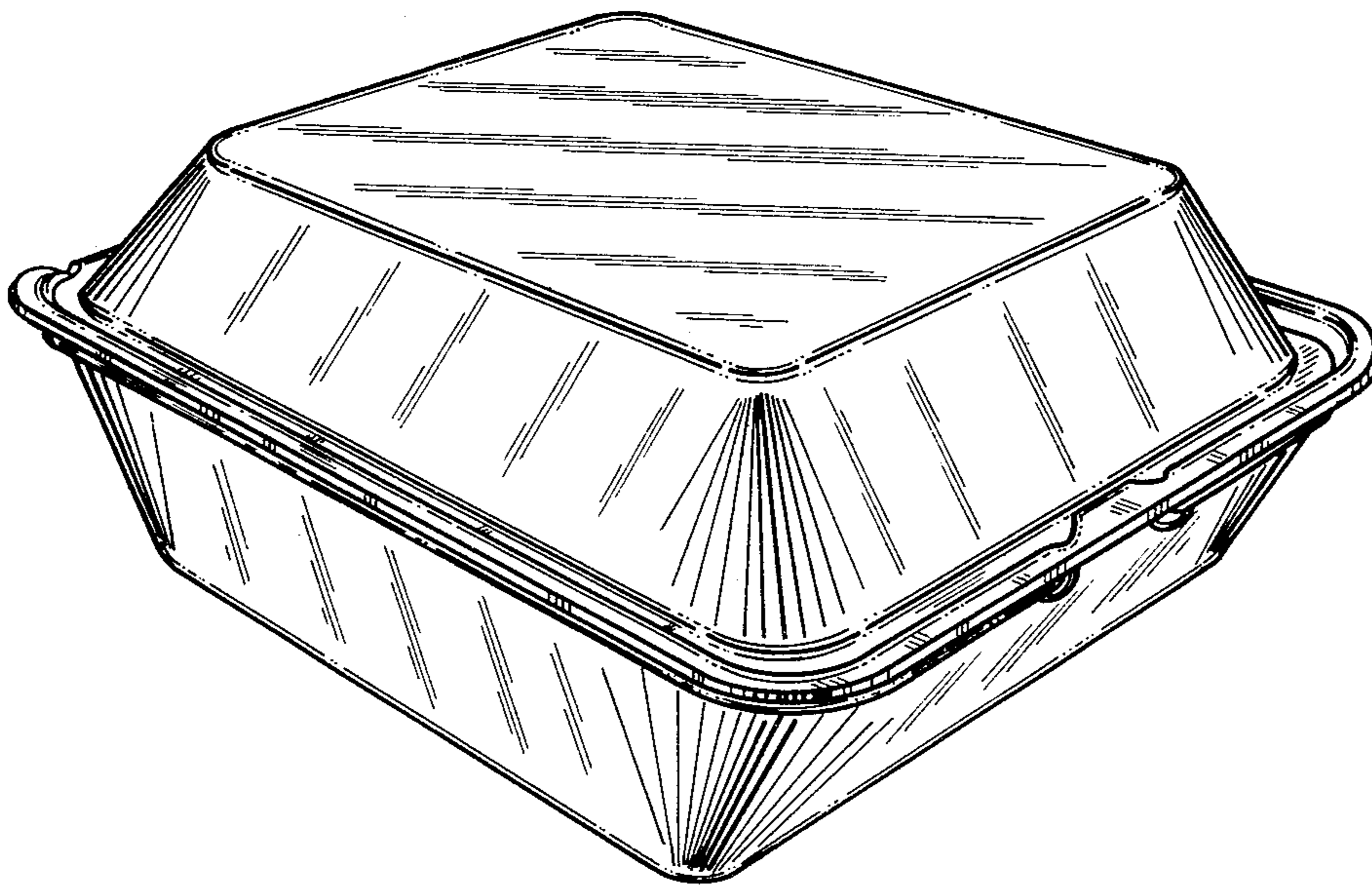
[22] Filed: Sep. 19, 1983

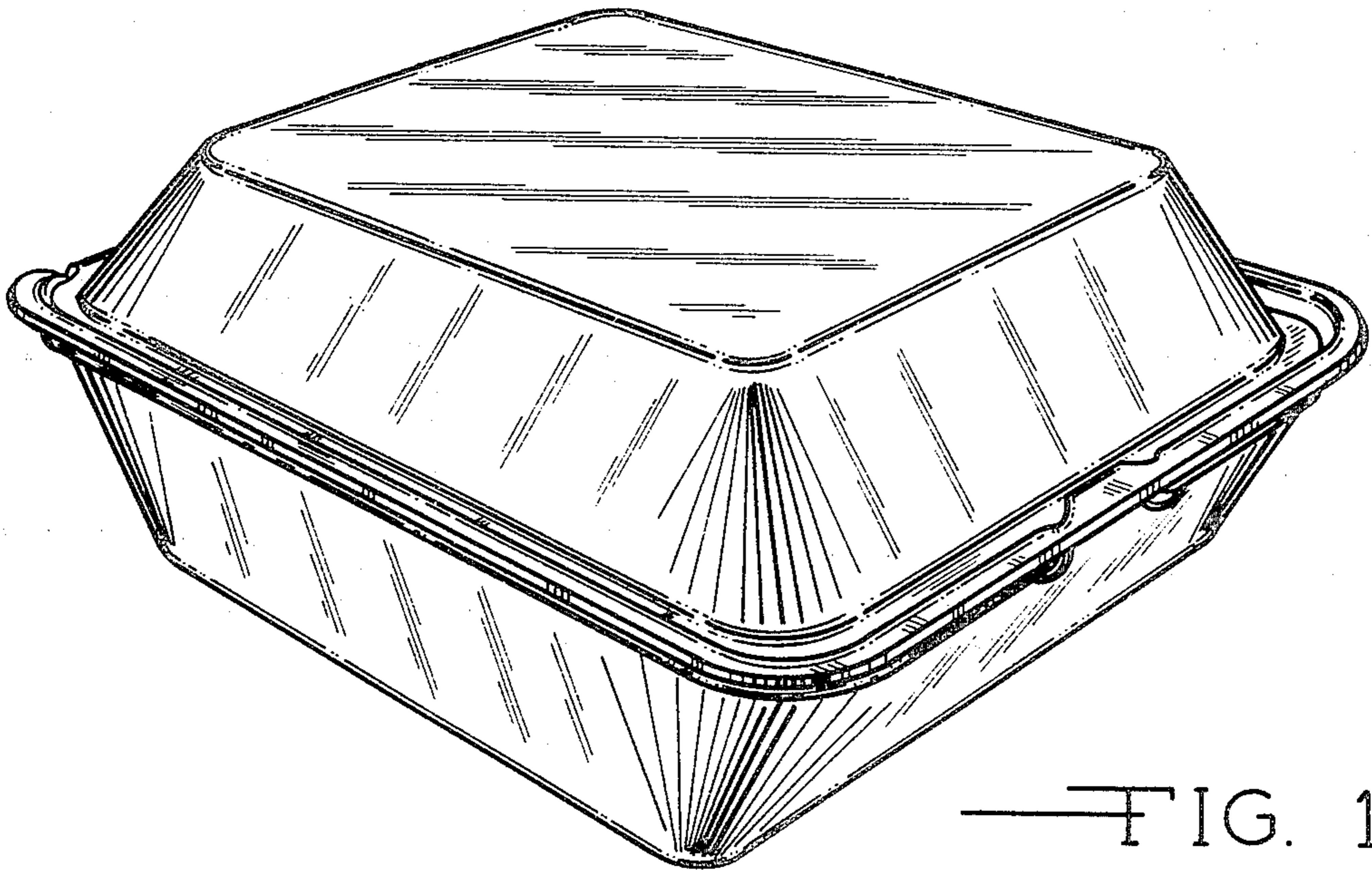
DESCRIPTION

Related U.S. Application Data

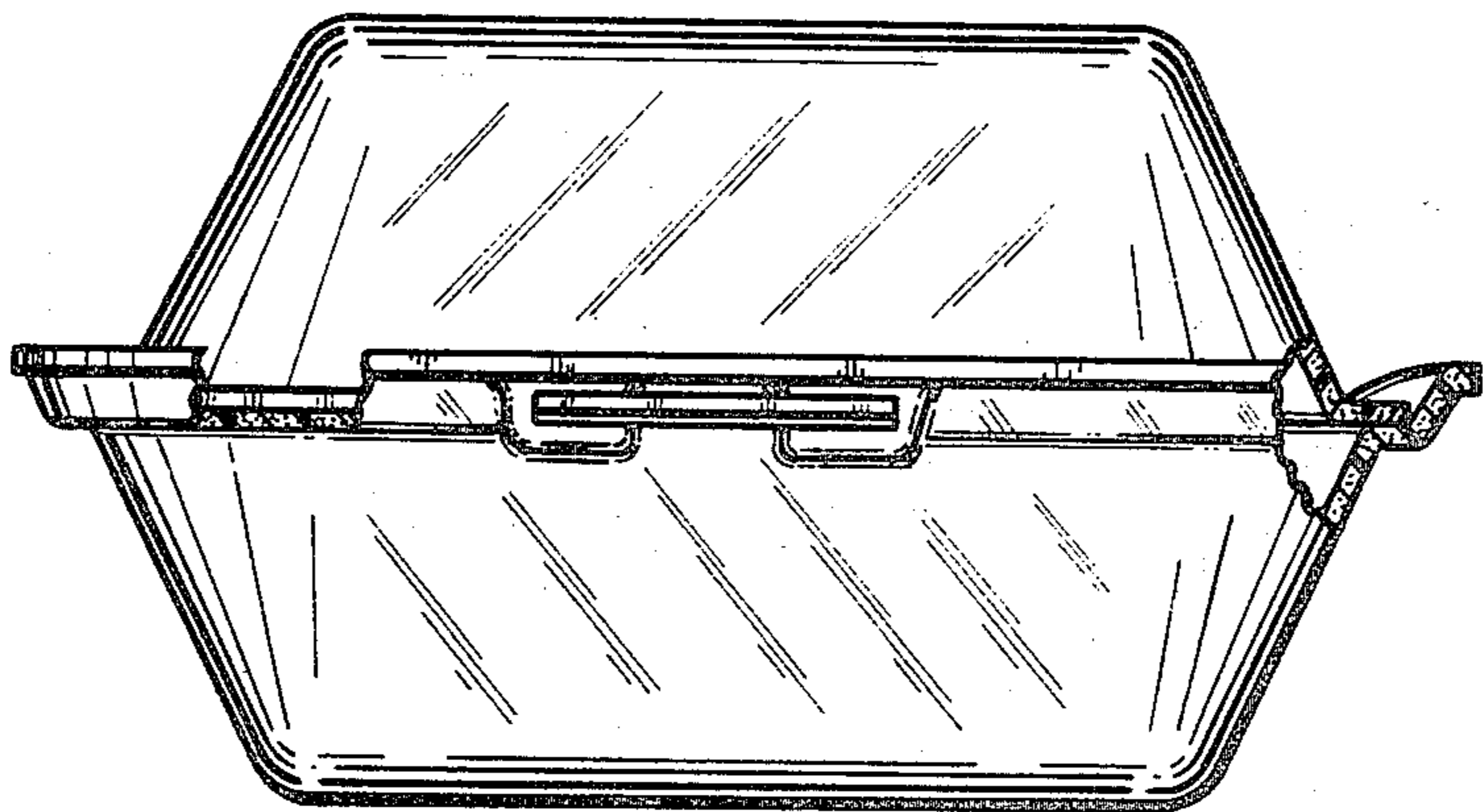
- [62] Division of Ser. No. 246,029, Mar. 20, 1981.
- [52] U.S. Cl. D9/347; D9/426
- [58] Field of Search 229/2.5; D9/341, 345-347, D9/423, 426; D7/16, 37, 38

FIG. 1 is a perspective view of a packaging container showing my new design;
 FIG. 2 is a front elevational view;
 FIG. 3 is a top plan view;
 FIG. 4 is a rear elevational view;
 FIG. 5 is a side elevational view with the hinged cover in its open position; and
 FIG. 6 is a top plan view with the hinged cover in its open position.

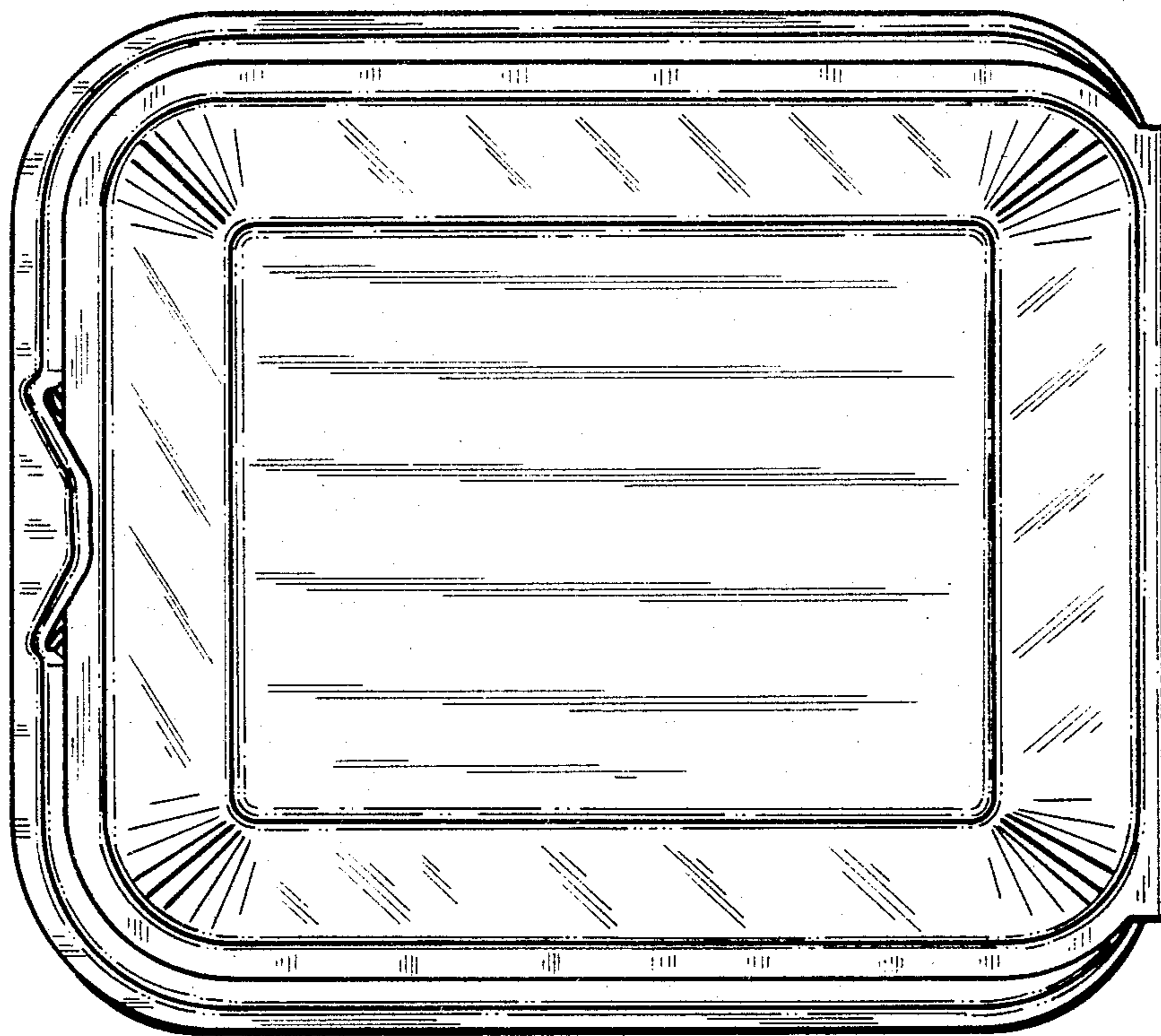




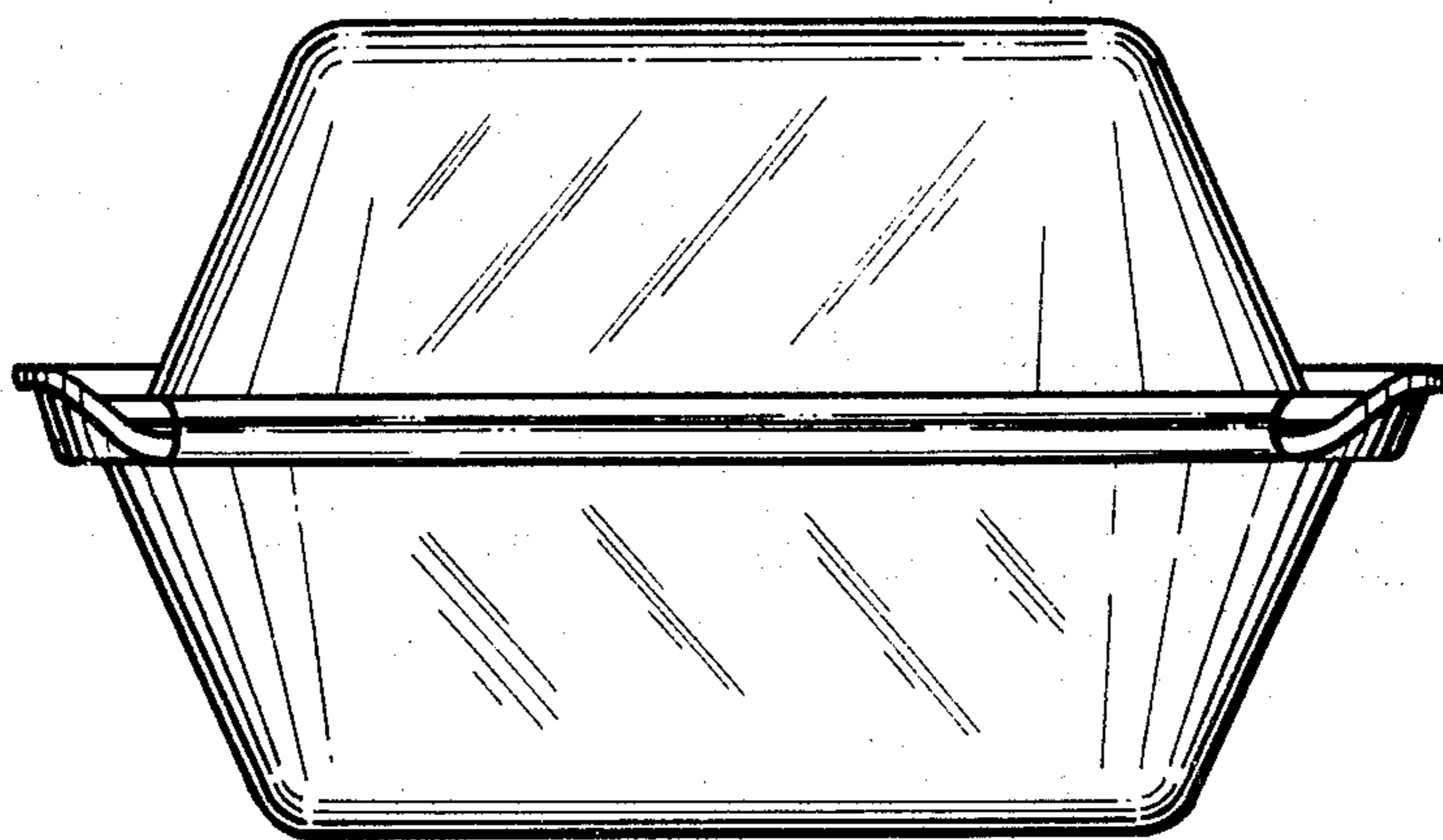
—FIG. 1



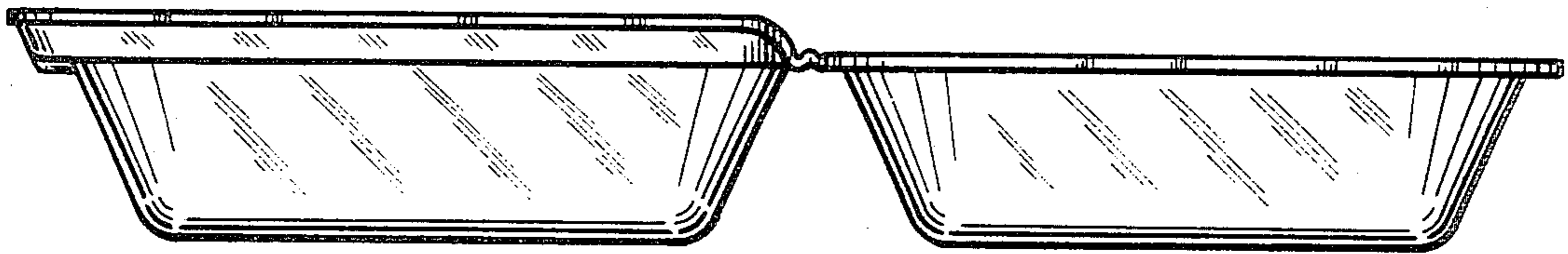
—FIG. 2



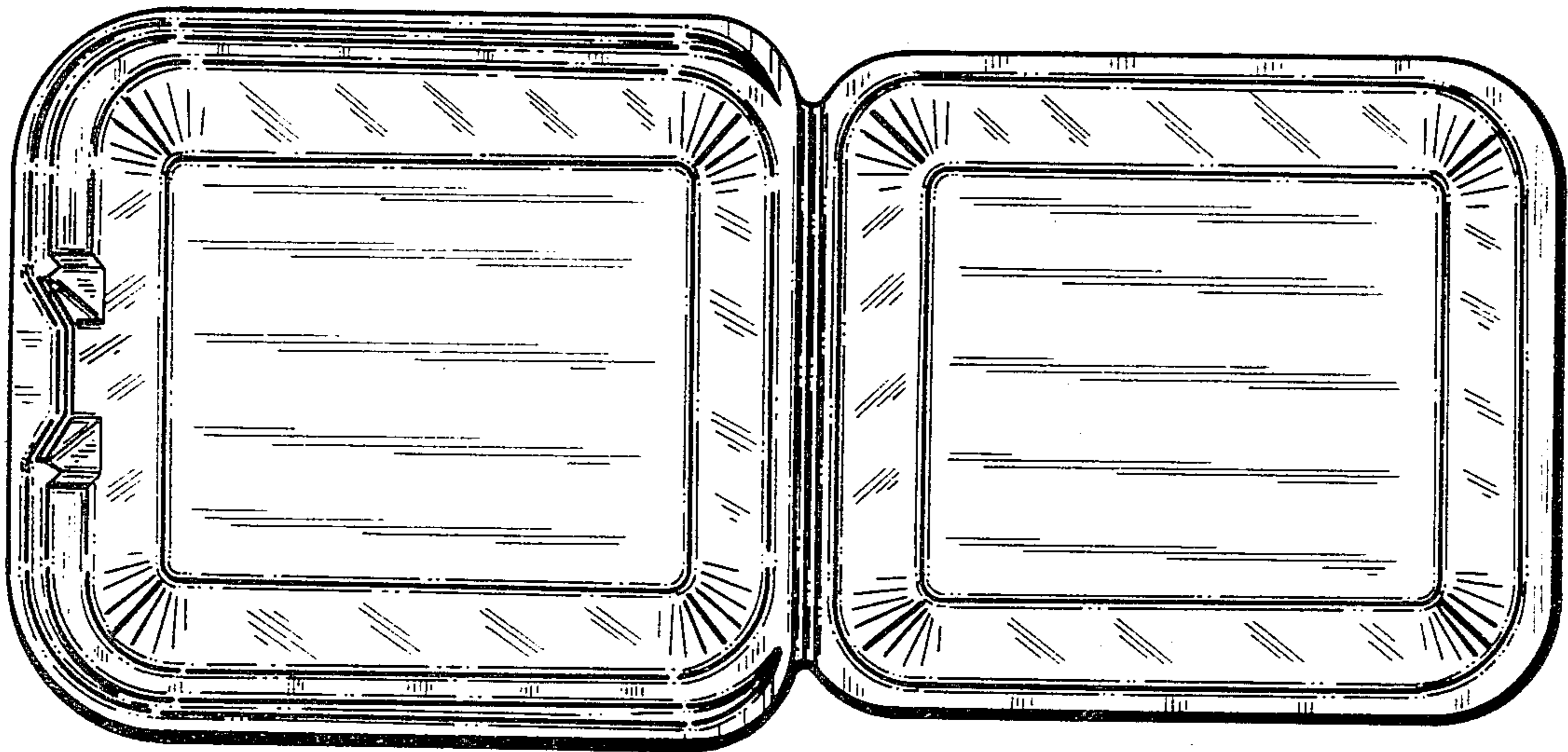
—FIG. 3



—FIG. 4



— FIG. 5



— FIG. 6