

[54] **CONTROL CONSOLE FOR A MOBILE TELEPHONE WITH HANDSET**

[75] **Inventor: Ernest M. Bevilacqua, Wilton, Conn.**

[73] **Assignee: Oki Electric Overseas Corporation, Hackensack, N.J.**

[**] **Term: 14 Years**

[21] **Appl. No.: 415,219**

[22] **Filed: Sep. 7, 1982**

[52] **U.S. Cl. D8/53; D14/63; D14/64; D14/60**

[58] **Field of Search D14/53, 59, 60-61, D14/62, 63, 64-65; 179/178, 179, 2 E, 2 EA, 100 R, 100 C, 100 D, 102, 103**

[56] **References Cited**

U.S. PATENT DOCUMENTS

D. 219,029	10/1970	Dreyfuss et al.	D14/53
D. 229,837	1/1974	Genaco et al.	D14/63
D. 246,103	10/1977	Taylor	D14/53
D. 246,784	12/1977	Fukushima et al.	D14/53
D. 259,563	6/1981	Marshall	D14/53
D. 267,313	12/1982	Fukushima et al.	D14/53
D. 270,157	8/1983	Boldt et al.	D14/63
D. 270,248	8/1983	Fukushima et al.	D14/53
D. 271,489	11/1983	Fukushima et al.	D14/53
D. 272,147	1/1984	Loons et al.	D14/58

OTHER PUBLICATIONS

Teleteknik 1979 (Eng. Ed.) No. 1 (Denmark) vol. 23; showing of Model F78 Telephone Set-GNT Automatic A/S, pp. 39-48.

Primary Examiner—Wallace R. Burke
Assistant Examiner—Horace B. Fay
Attorney, Agent, or Firm—Adam A. Jorgensen

[57] **CLAIM**

The ornamental design for a control console for a mobile telephone with handset, substantially as shown and described.

DESCRIPTION

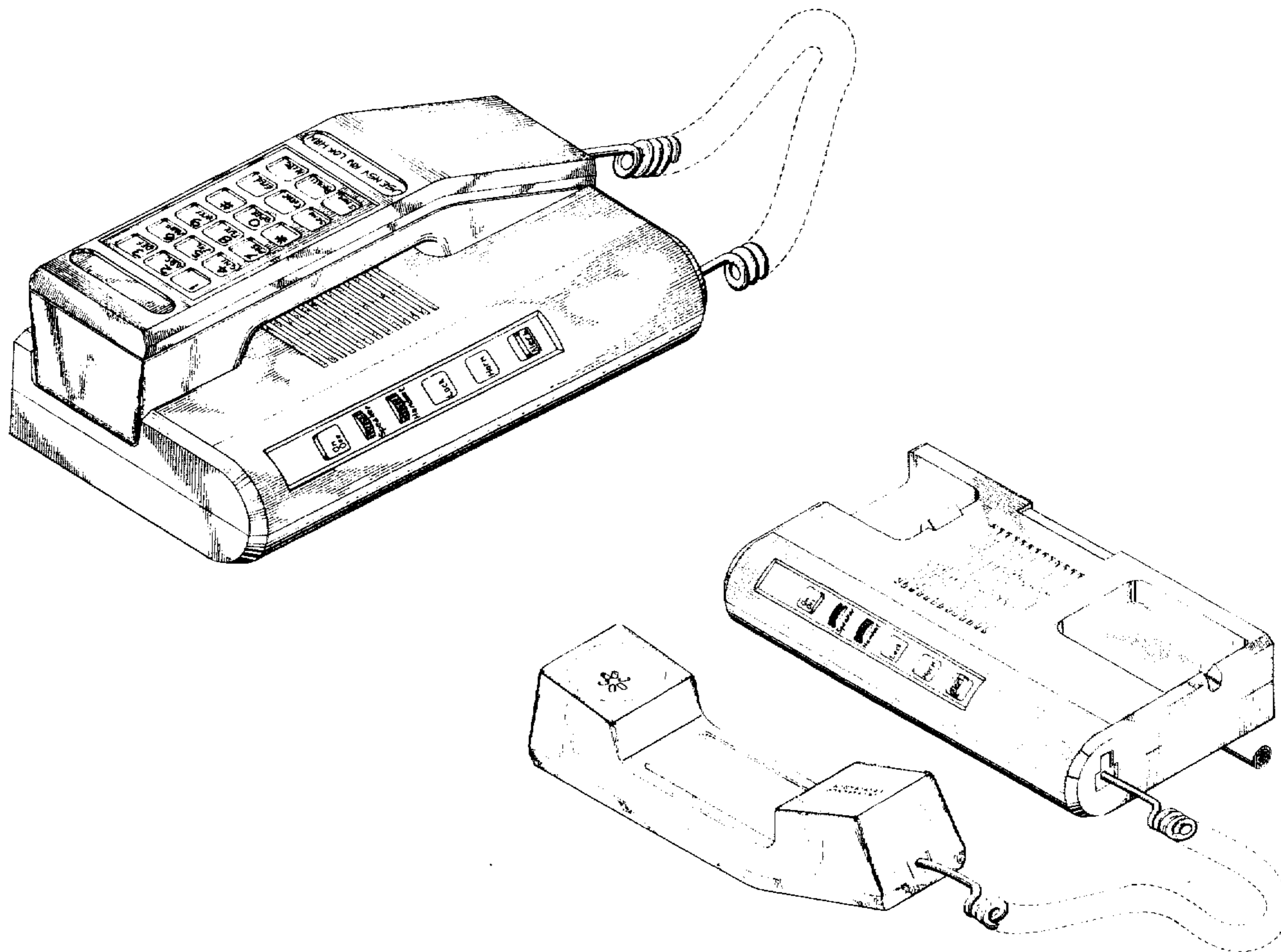
FIG. 1 is a perspective view of my new design showing the front, top, and left hand side of the control console for a mobile telephone with the handset, showing its back side, and cradled therein.

FIG. 2 is an elevational view of the right hand side of the console with the handset cradled therein.

FIG. 3 is a top end view of the console with the handset cradled therein.

FIG. 4 is a perspective view of front, left hand side and bottom end view of the console with the handset removed from the cradle and resting on its backside.

The telephone cord is shown in broken lines in FIGS. 1 and 4 and fragmentarily in FIG. 2 for ease of illustration.



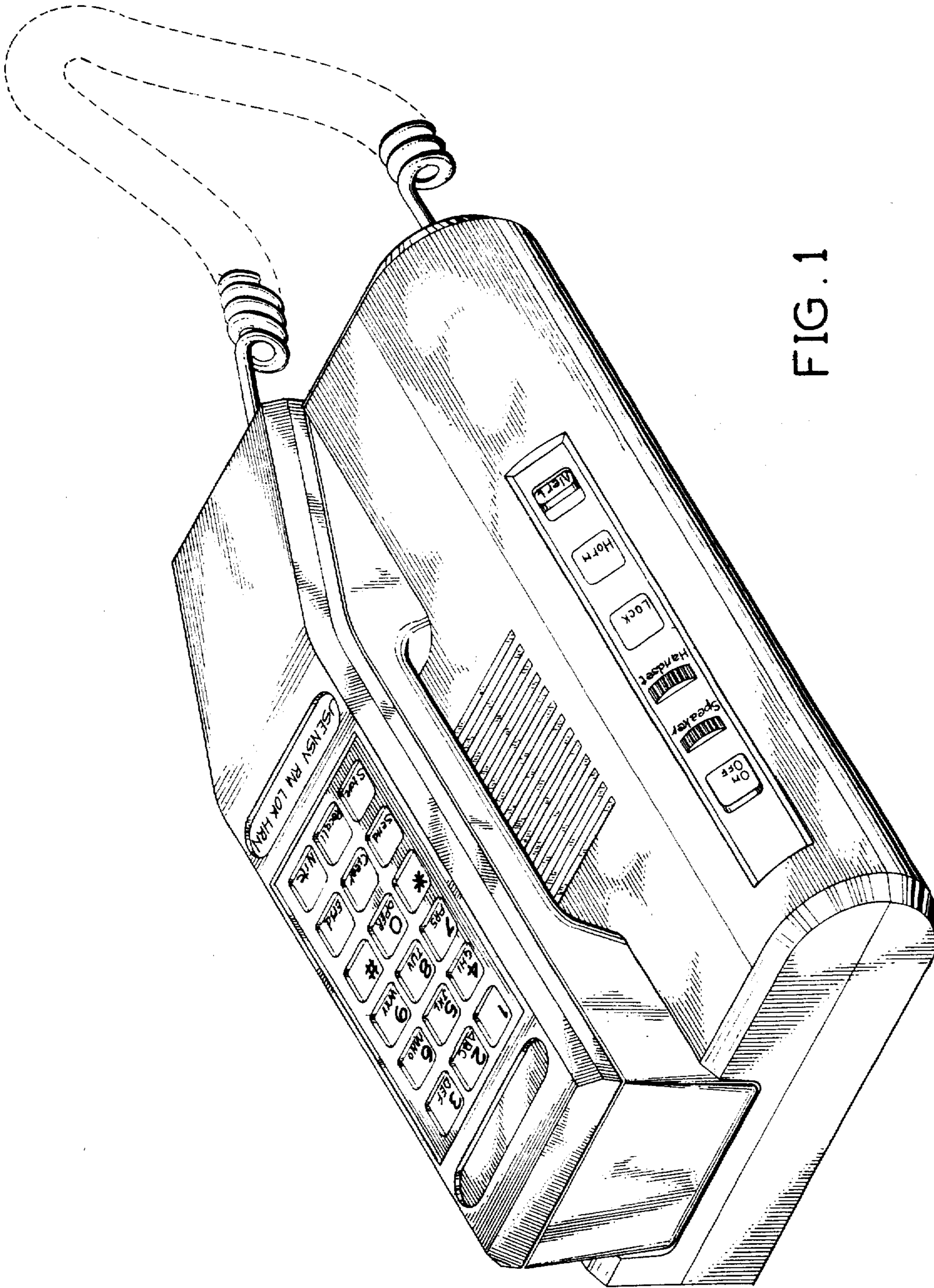


FIG. 1

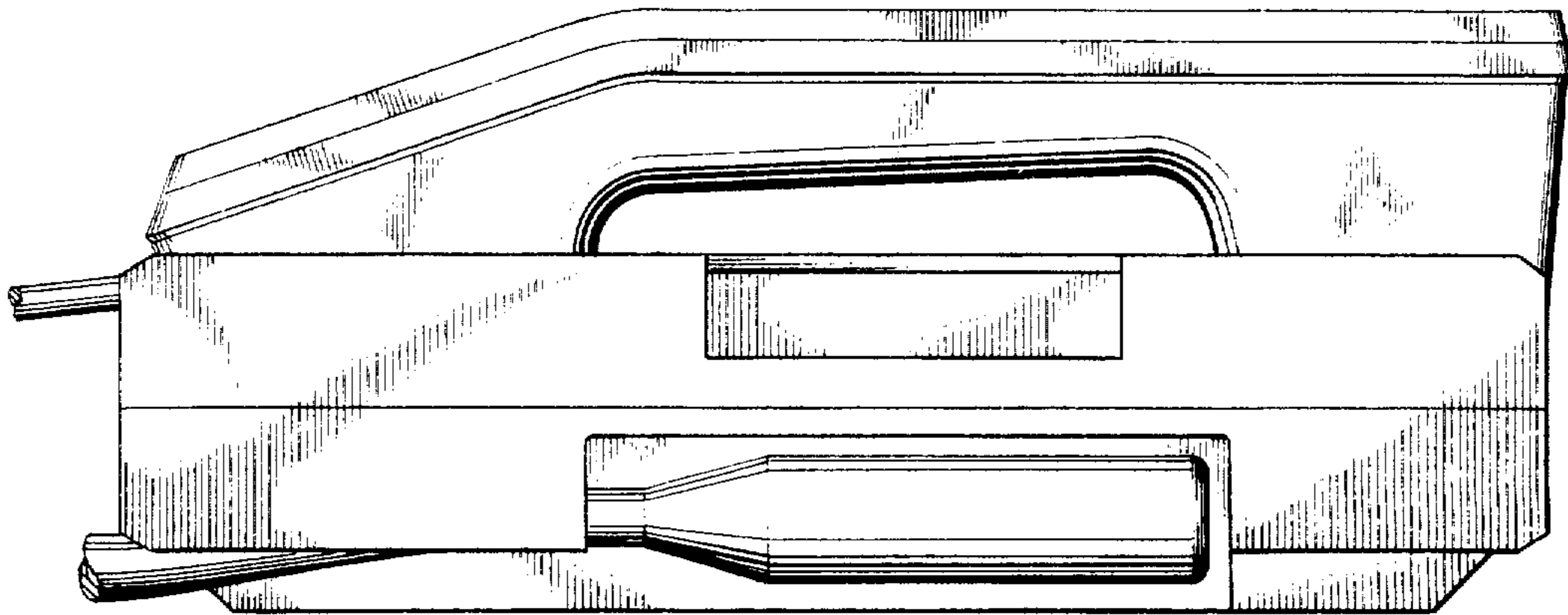


FIG. 2

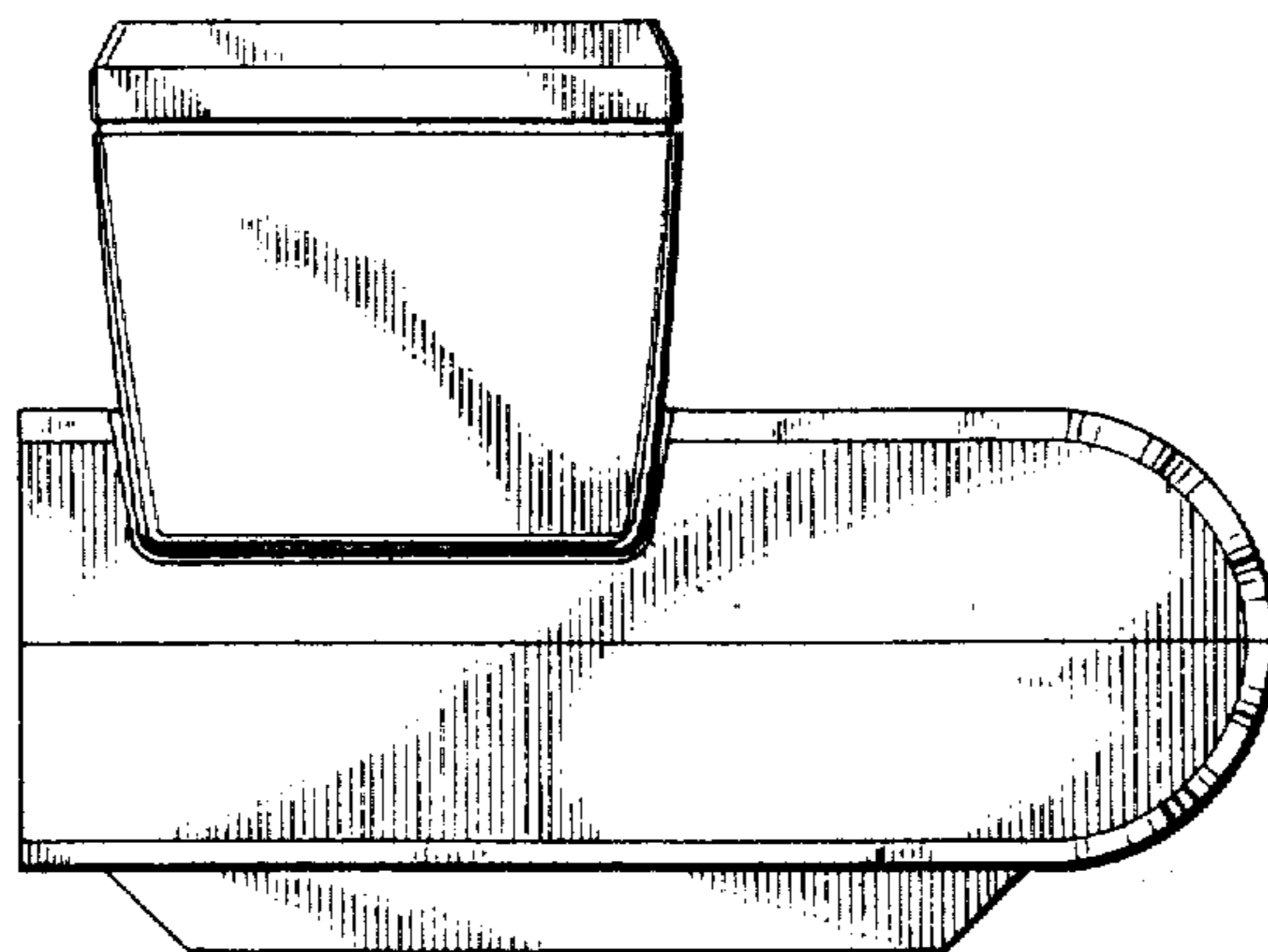


FIG. 3

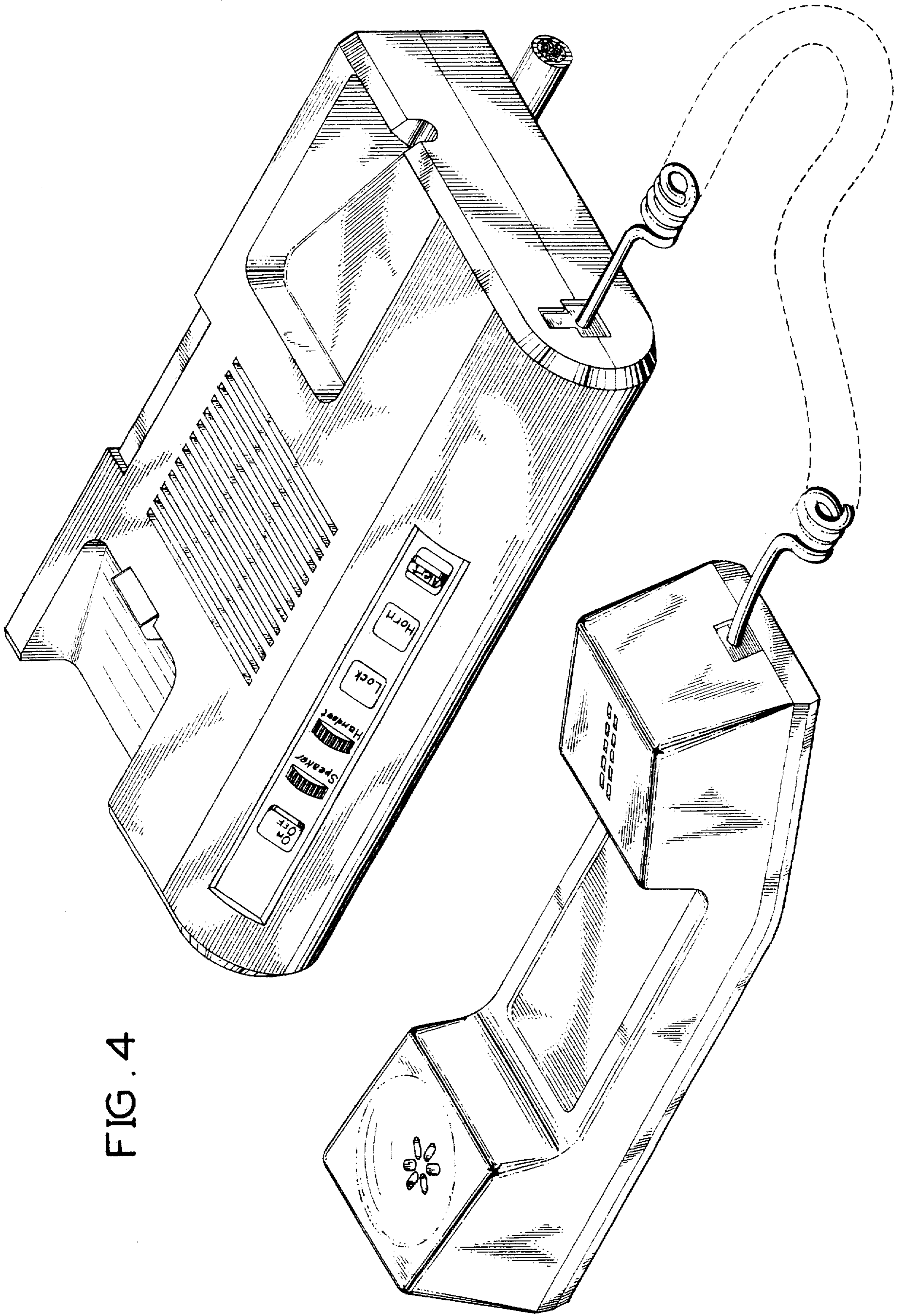


FIG. 4