

[54] COMBINED CABLE CONNECTOR AND CRIMPING TOOL

[76] Inventor: Charles P. Lankford, III, 33985 Hummingbird Dr., Elizabeth, Colo. 80107

[\*\*] Term: 14 Years

[21] Appl. No.: 374,719

[22] Filed: May 4, 1982

[52] U.S. Cl. .... D8/51; D8/14

[58] Field of Search ..... D8/14, 51, 71; 29/758, 29/749, 748, 747

[56] References Cited

U.S. PATENT DOCUMENTS

D. 198,993 8/1964 Johnson, Jr. .... D8/71

D. 232,906 9/1974 Lawson ..... D8/51  
4,043,174 8/1977 Paolino ..... 29/751 X  
4,258,469 3/1981 Salvesen ..... 29/749 X

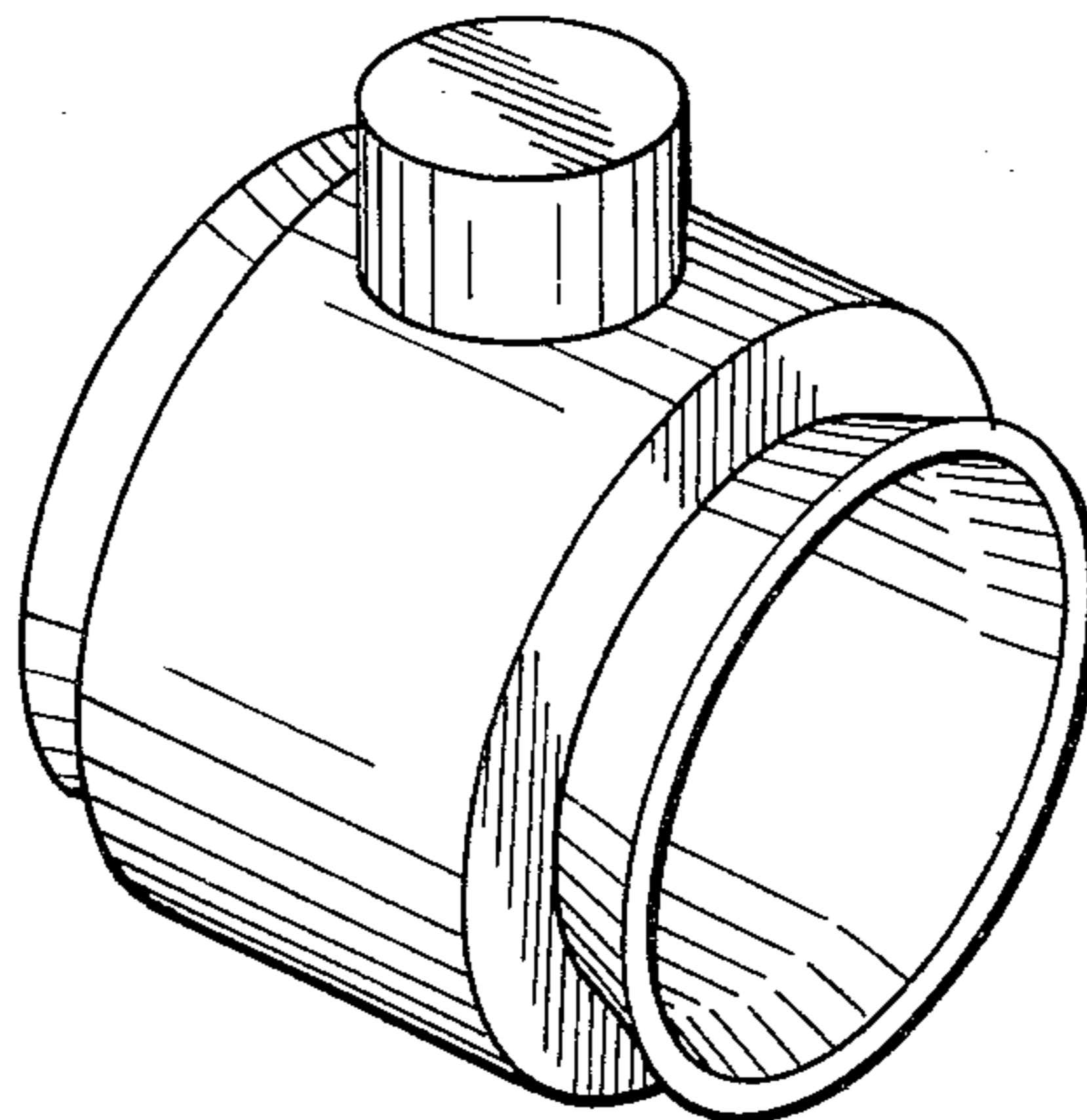
Primary Examiner—Alan P. Douglas  
Attorney, Agent, or Firm—Max L. Wymore

[57] CLAIM

The ornamental design for a combined cable connector and crimping tool, as shown and described.

DESCRIPTION

FIG. 1 is a perspective view of my new design for a combined cable connector and crimping tool;  
FIG. 2 is a front view thereof with the rear view being a mirror image;  
FIG. 3 is a left-hand view in elevation with the right-hand view being a mirror image thereof;  
FIG. 4 is a top plan view thereof; and,  
FIG. 5 is a bottom plan view thereof.



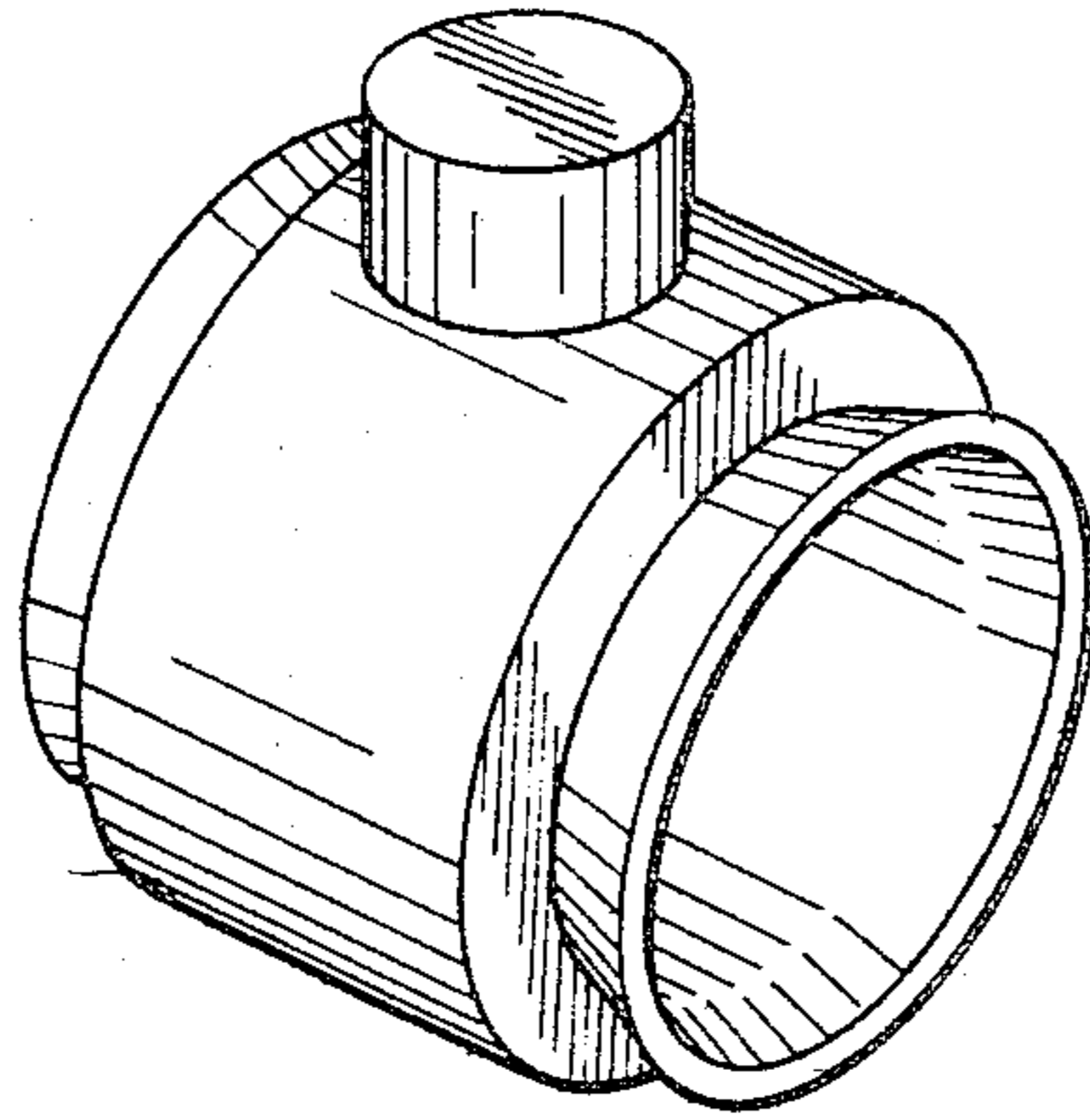


FIG. 1

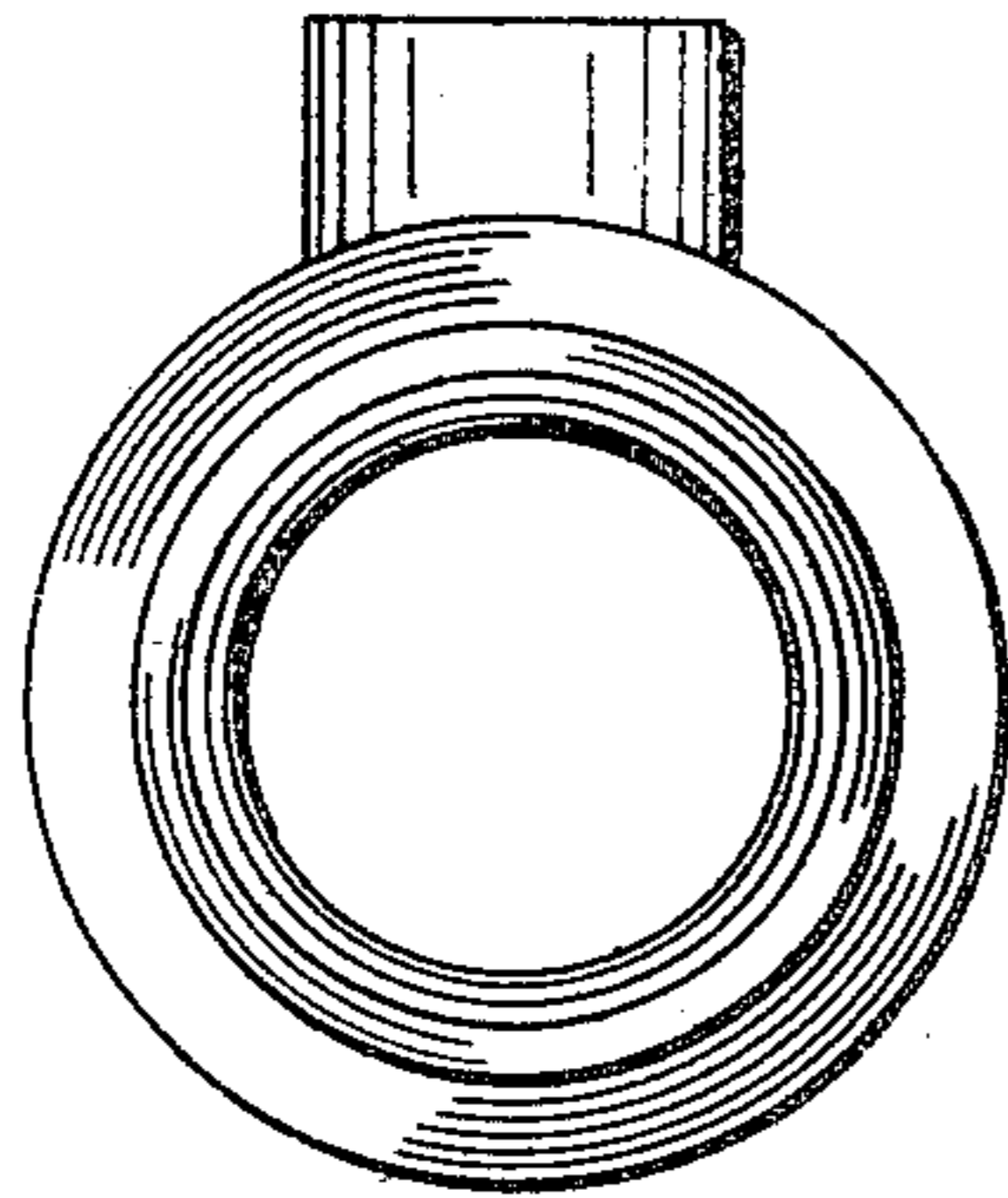


FIG. 2

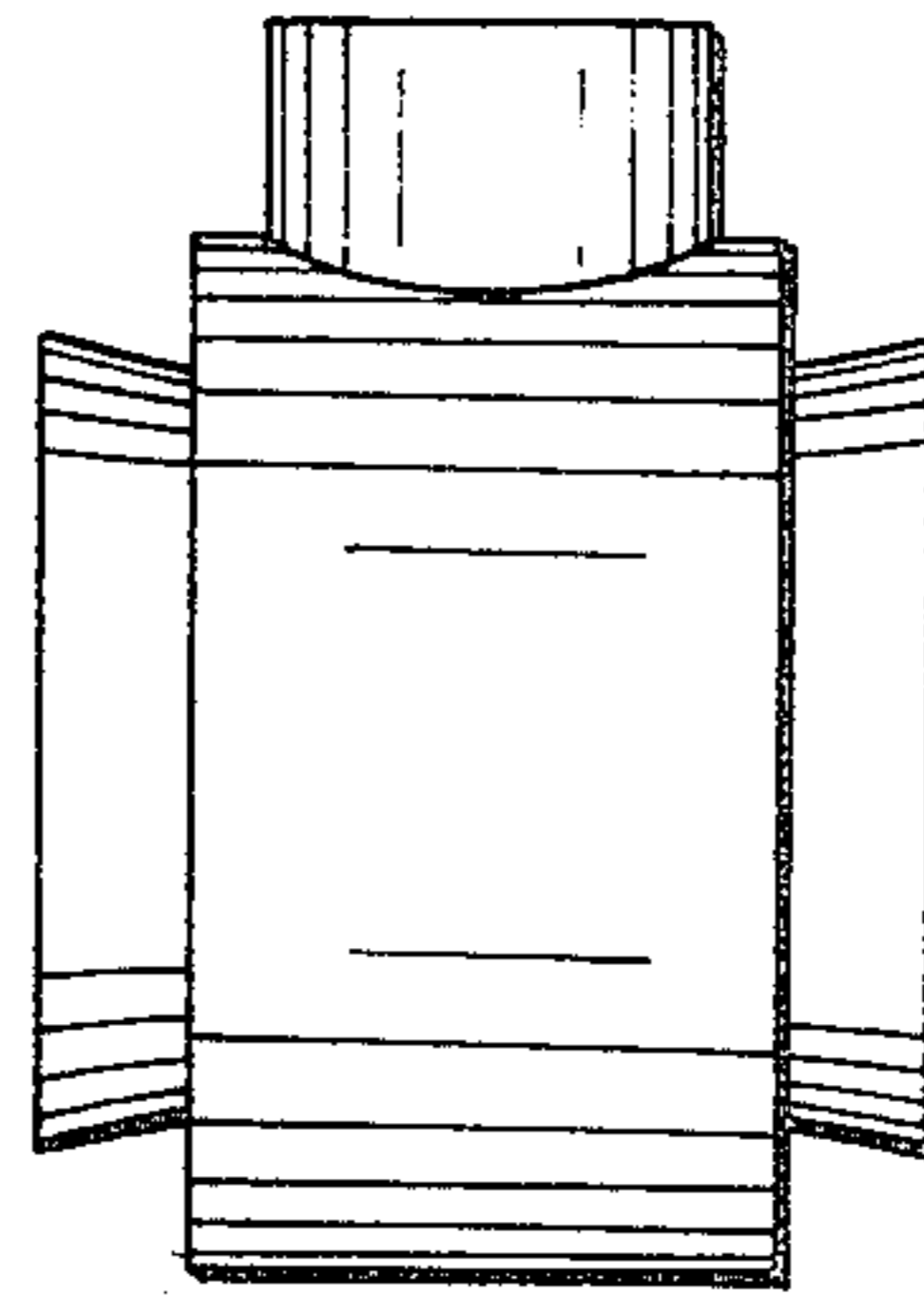


FIG. 3

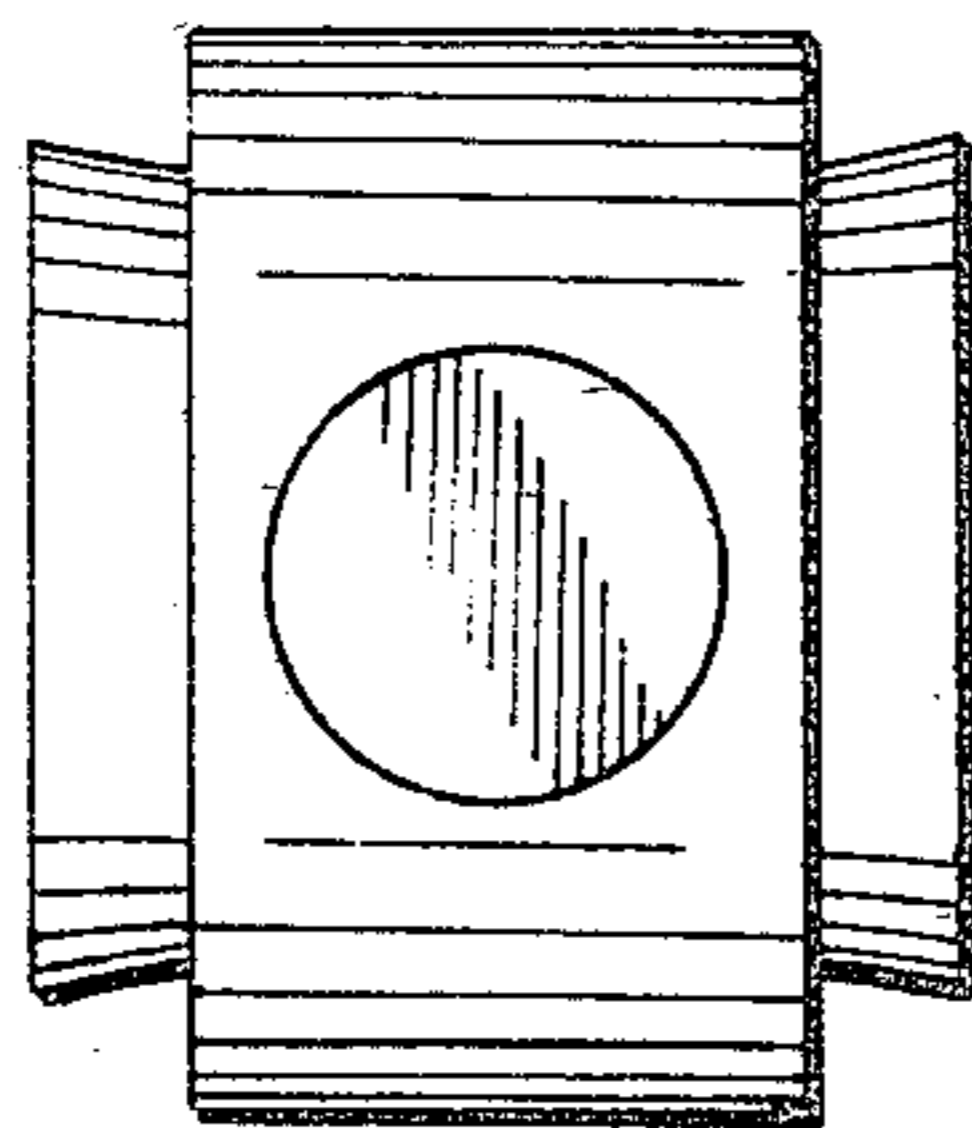


FIG. 4

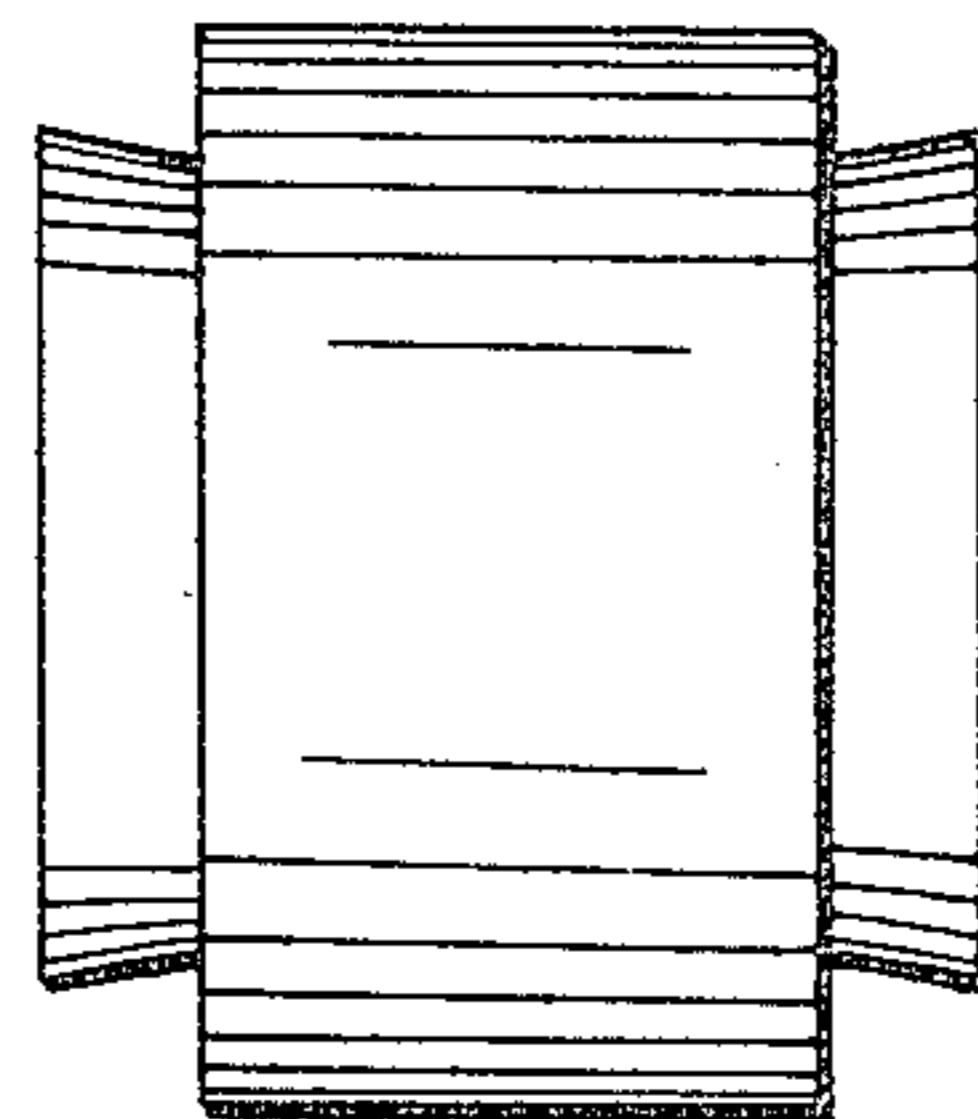


FIG. 5