

[54] CORNER CONNECTOR FOR USE IN THE CONSTRUCTION OF A DRAWER

[75] Inventor: Terence Hardy, Nether Heage, England

[73] Assignee: L. B. (Plastics) Limited, Belper, England

[\*\*] Term: 14 Years

[21] Appl. No.: 381,283

[22] Filed: May 24, 1982

[30] Foreign Application Priority Data

Nov. 26, 1981 [GB] United Kingdom ..... 1003817

[52] U.S. Cl. .... D6/510

[58] Field of Search ..... D6/177, 178, 179, 191; 403/169, 170, 173, 295; 312/330 R, 330 SM, 257 A, 257 SM

[56] References Cited

U.S. PATENT DOCUMENTS

D. 260,340	8/1981	Hardy .....	D6/191
2,879,087	3/1959	Haglund .....	403/169
3,886,710	6/1975	Krause et al. ....	403/170
4,108,520	8/1978	Litchfield .....	312/330 R
4,128,284	12/1978	King .....	312/330 R

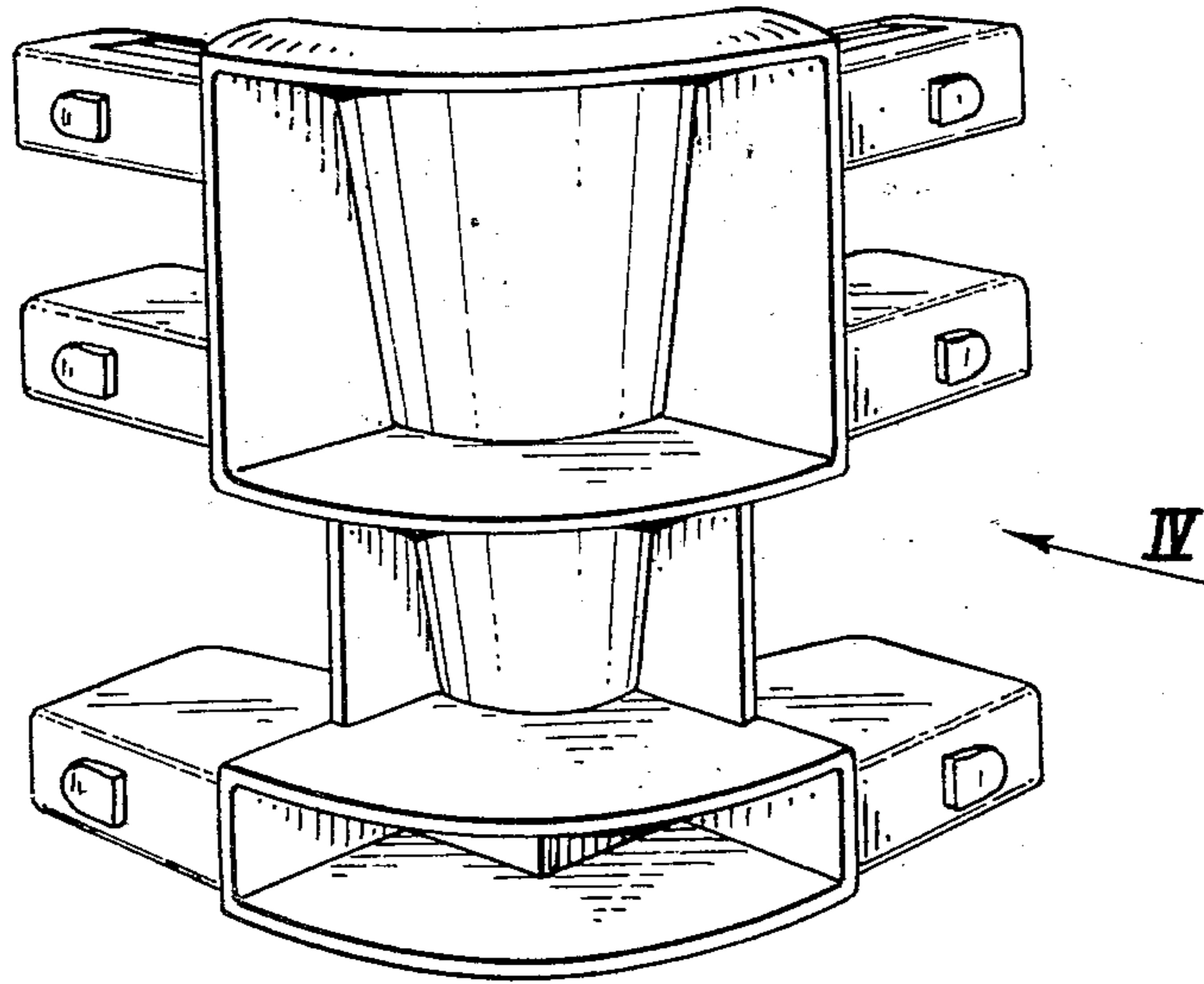
Primary Examiner—Bruce W. Dunkins  
Attorney, Agent, or Firm—W. Thad Adams, III

[57] CLAIM

The ornamental design of a corner connector for use in the construction of a drawer, as shown and described.

DESCRIPTION

FIG. 1 is an outside perspective view from above of a corner connector for use in the construction of a drawer embodying my design;  
FIG. 2 is an inside perspective view thereof from above;  
FIG. 3 is a view in the direction of arrow III in FIG. 2;  
FIG. 4 is a view in the direction of arrow IV in FIG. 1;  
FIG. 5 is a plan view.



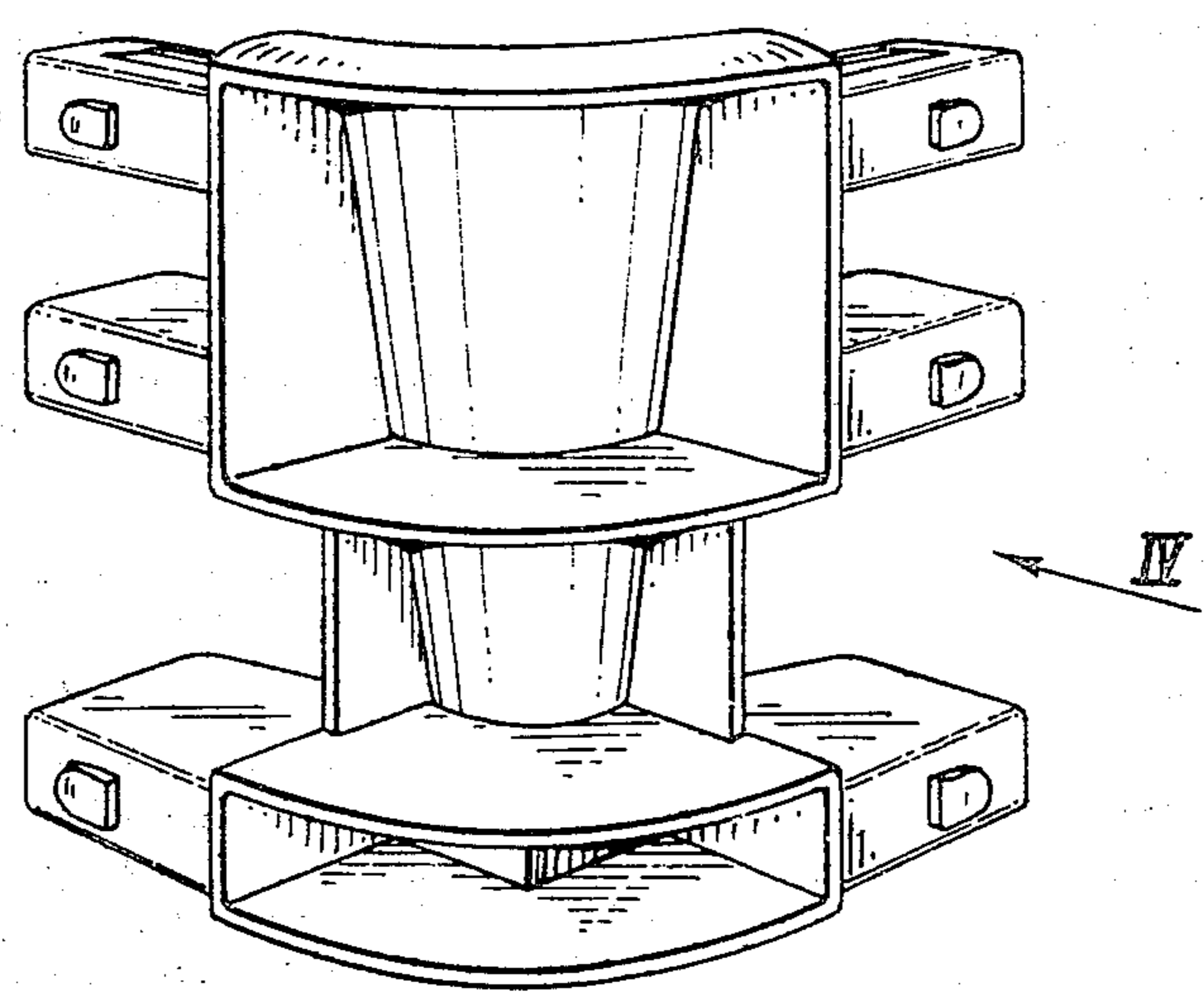


FIG. 1

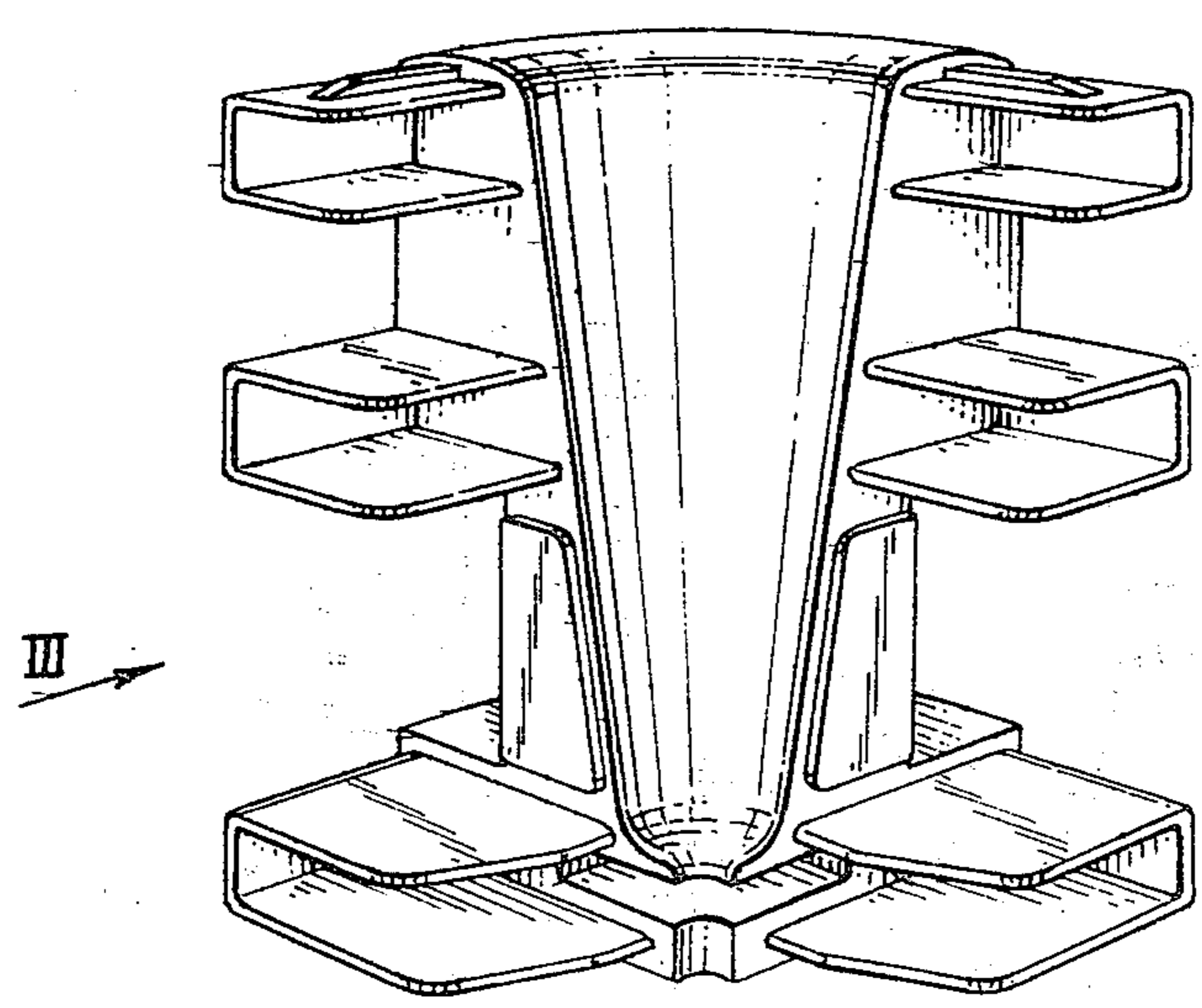


FIG. 2

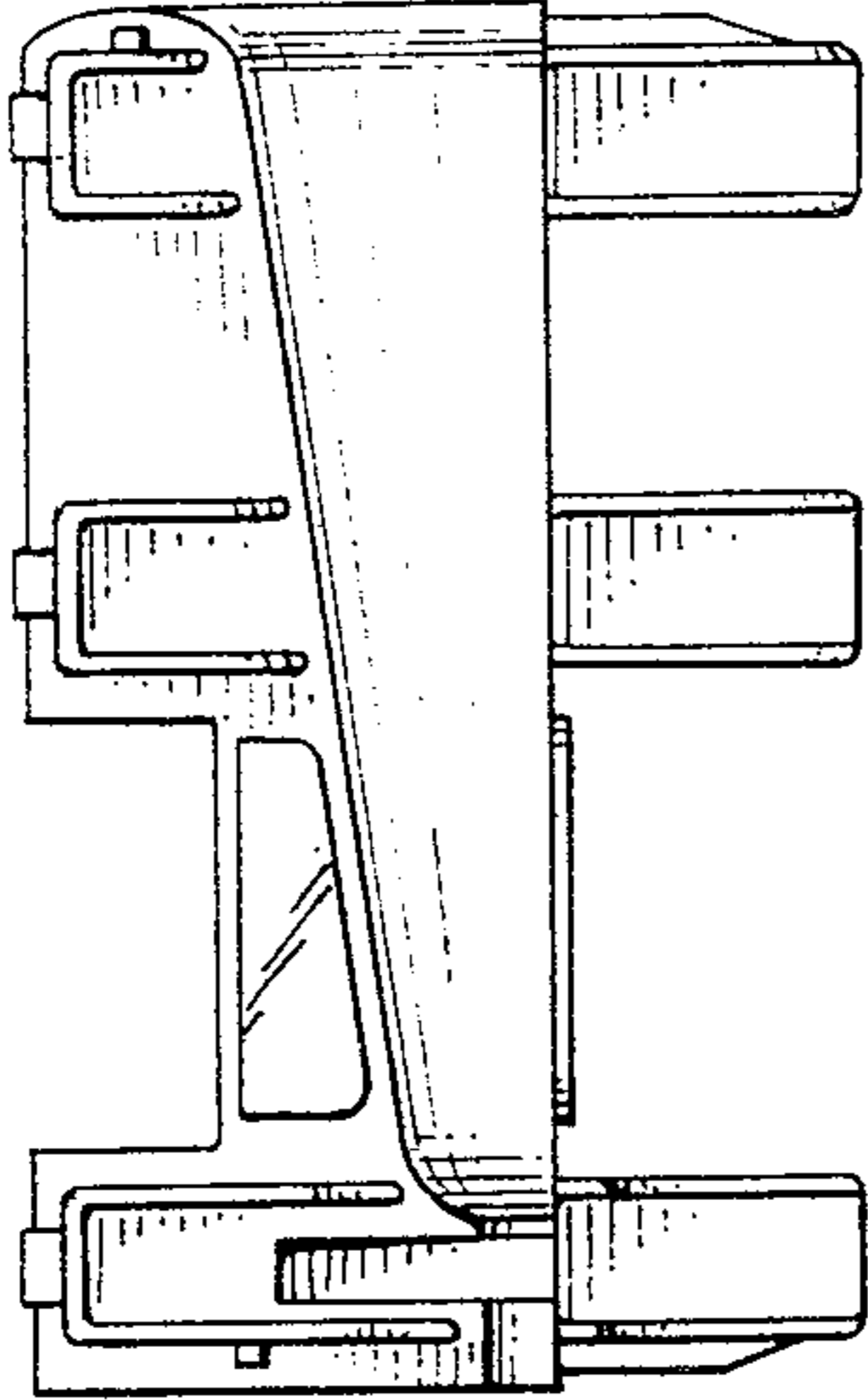


FIG. 3

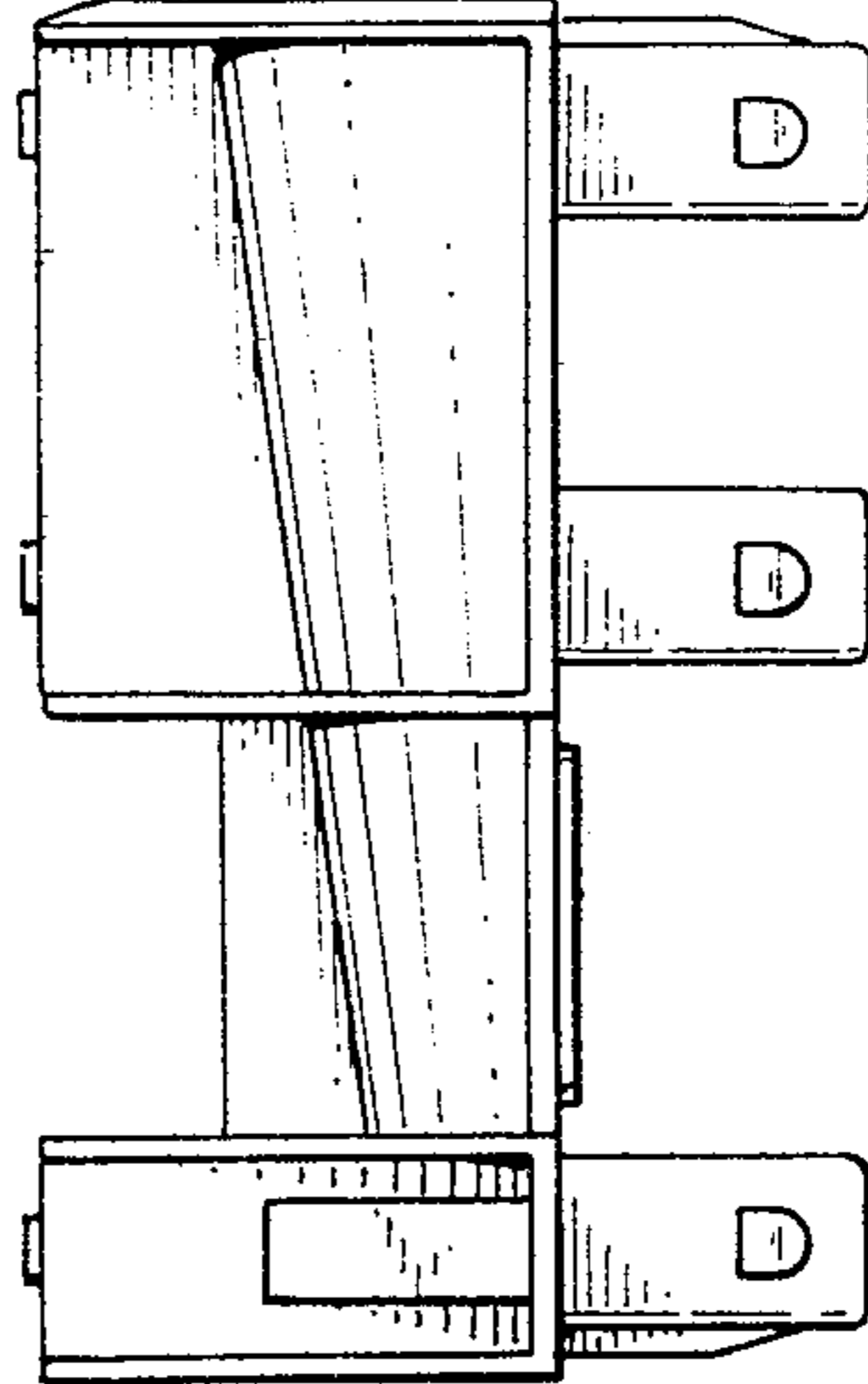


FIG. 4

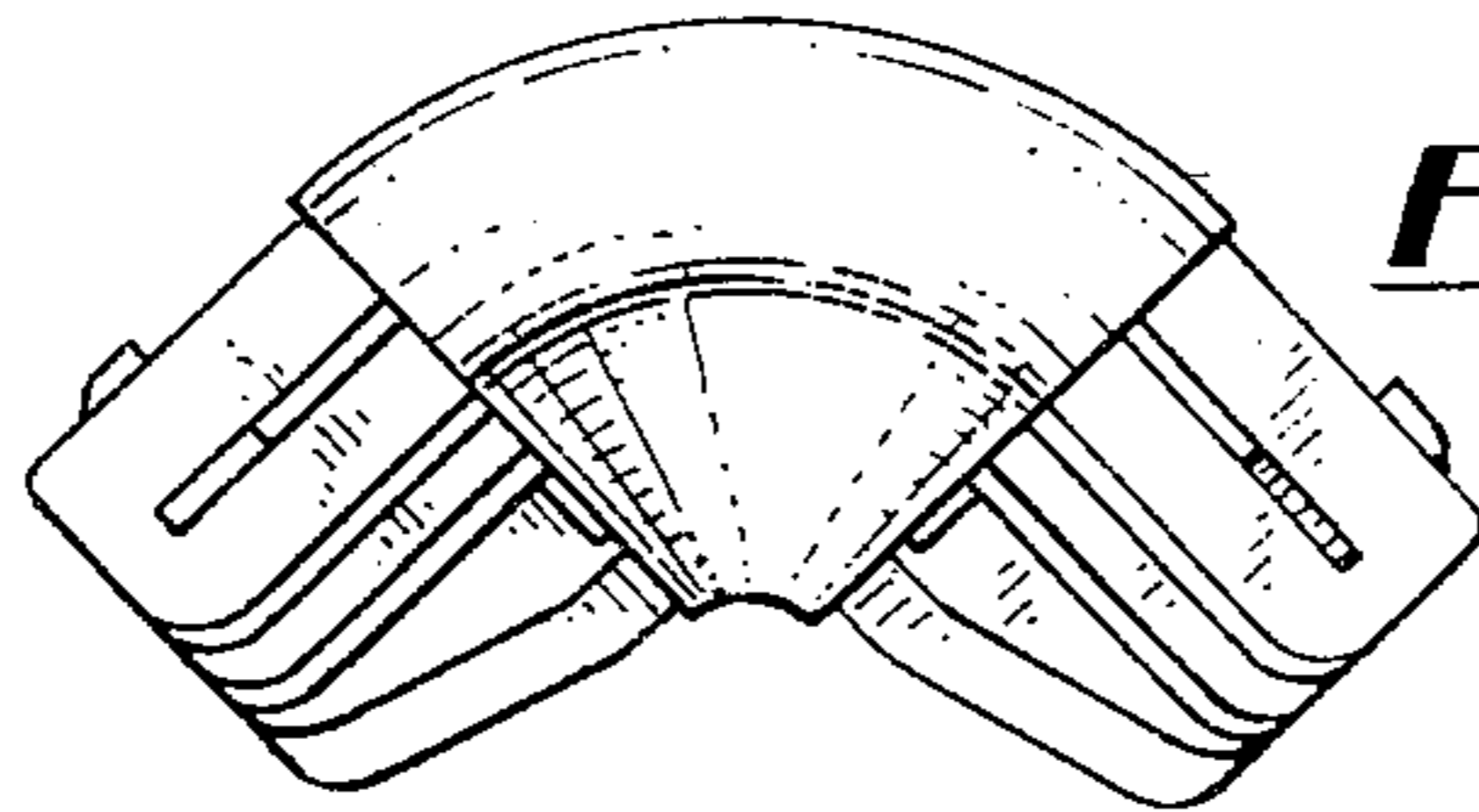


FIG. 5