

[54] SHELF

[76] Inventor: **Ronald W. Hind**, 7 Graybridge Dr.,
St. Louis, Mo. 63124

[**] Term: **14 Years**

[21] Appl. No.: **375,310**

[22] Filed: **May 5, 1982**

[52] U.S. Cl. **D6/574; D6/535**

[58] Field of Search **D6/114, 93, 130, 132,**
D6/136; D7/71; 211/75, 60 A, 87, 88, 90, 99;
248/300, 301, 310, 311.2

[56] **References Cited**

U.S. PATENT DOCUMENTS

D. 038,220 9/1906 Beach D6/114

D. 201,984	8/1965	Hervey	D6/136
D. 248,909	8/1978	Frazian	D6/93
D. 251,881	5/1979	Shirley	D6/93
D. 252,310	7/1979	Shannon	D6/93
D. 257,458	10/1980	Benoit	D6/93
1,226,231	5/1917	Mack	211/88
4,213,649	7/1980	Sell	248/311.2

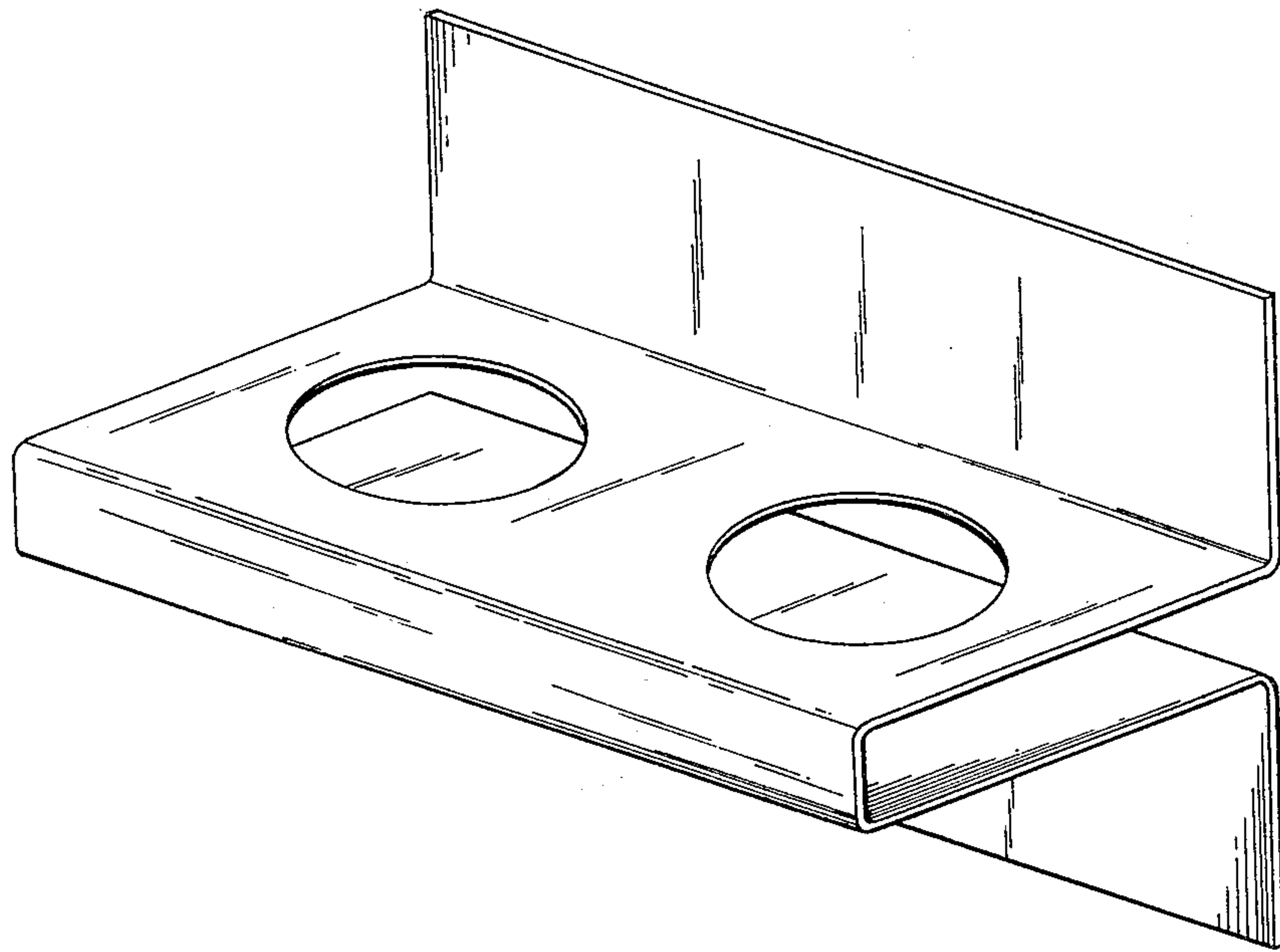
Primary Examiner—B. J. Bullock
Attorney, Agent, or Firm—Cohn, Powell & Hind

[57] **CLAIM**

The ornamental design for a shelf, as shown and described.

DESCRIPTION

FIG. 1 is a front perspective view of a shelf showing my new design, and
FIG. 2 is a rear perspective view thereof.



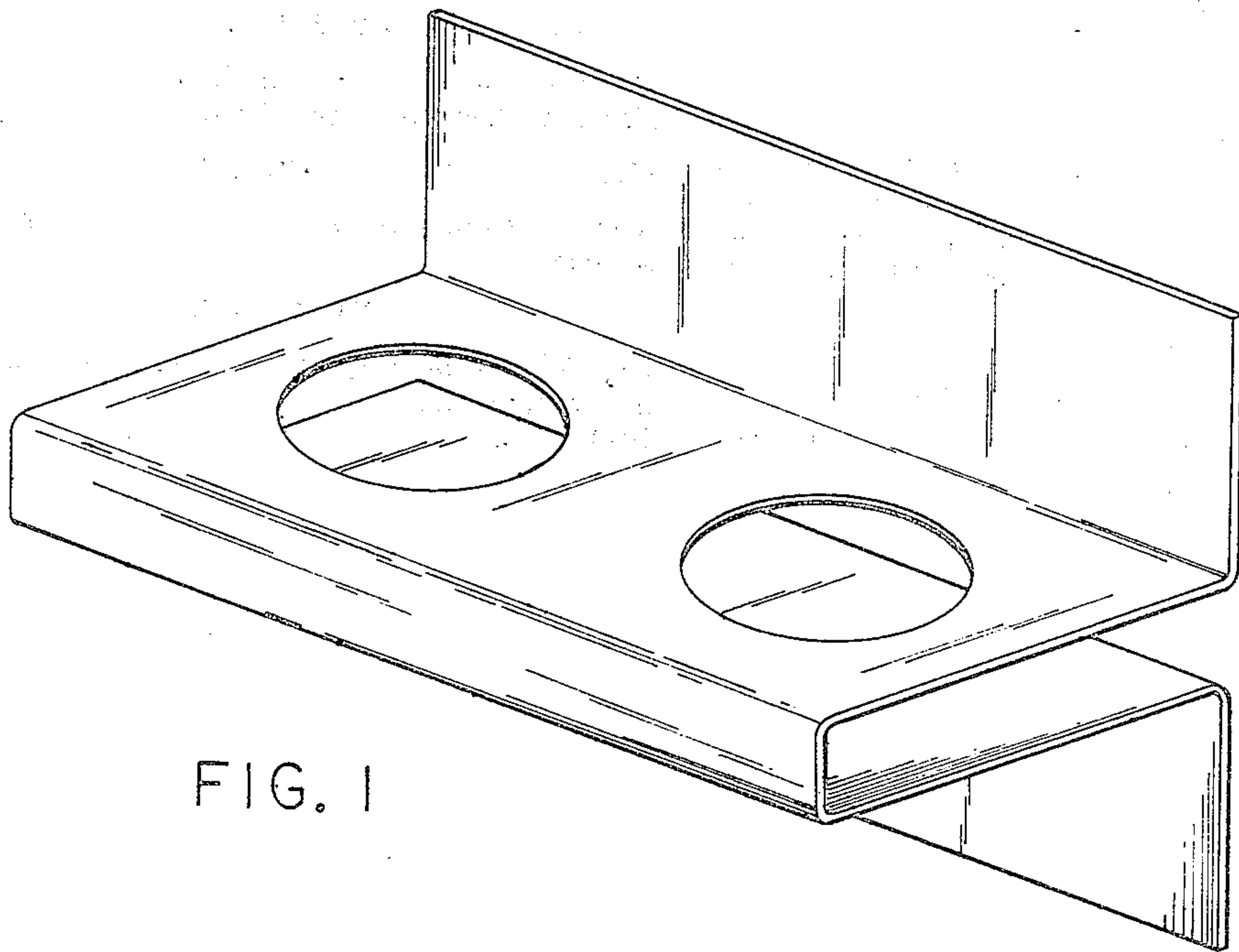


FIG. 1

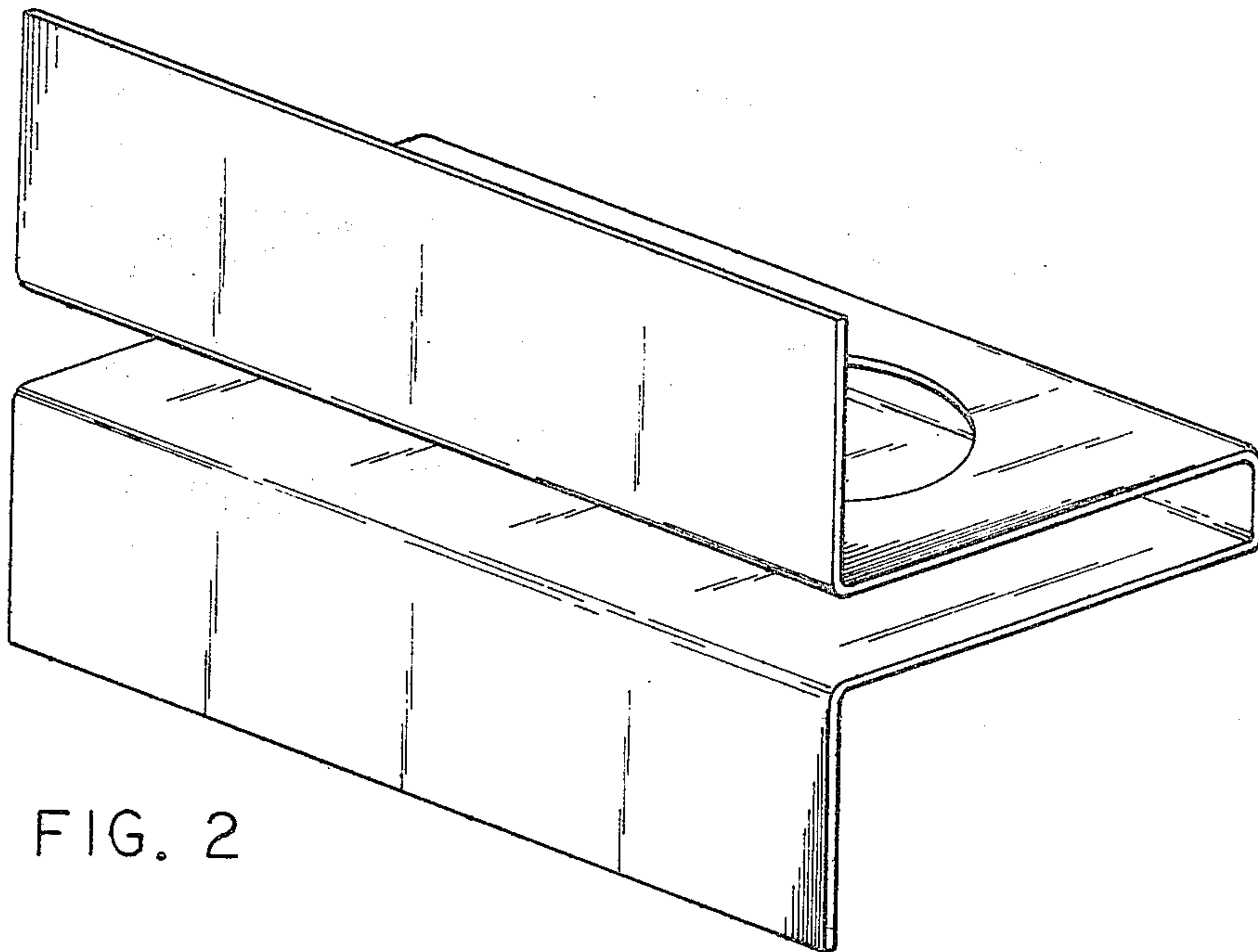


FIG. 2