

[54] **CHAIR**

[75] **Inventor: Edsel E. Murry, Christiana, Tenn.**

[73] **Assignee: Samsonite Corporation, Denver, Colo.**

[*] **Notice:** The portion of the term of this patent subsequent to Jul. 31, 1998 has been disclaimed.

[**] **Term: 14 Years**

[21] **Appl. No.: 382,798**

[22] **Filed: May 27, 1982**

[52] **U.S. Cl. D6/366**

[58] **Field of Search D6/20, 26, 30, 31, 35, D6/47, 72, 78**

[56]

References Cited

U.S. PATENT DOCUMENTS

D. 238,913	2/1976	Rielz	D6/31
D. 240,375	7/1976	Buhk	D6/30
D. 241,389	9/1976	Ball	D6/31
D. 250,373	11/1978	Prizlow et al.	D6/30

Primary Examiner—Bruce W. Dunkins

Attorney, Agent, or Firm—D. Michael Clayton

[57]

CLAIM

The ornamental design for a chair, as shown and described.

DESCRIPTION

FIG. 1 is a perspective view of a chair embodying my new design;

FIG. 2 is a bottom plan view thereof;

FIG. 3 is a front elevation view thereof;

FIG. 4 is a side elevation view thereof, showing the side opposite that shown in FIG. 1; and

FIG. 5 is a rear elevation view thereof.



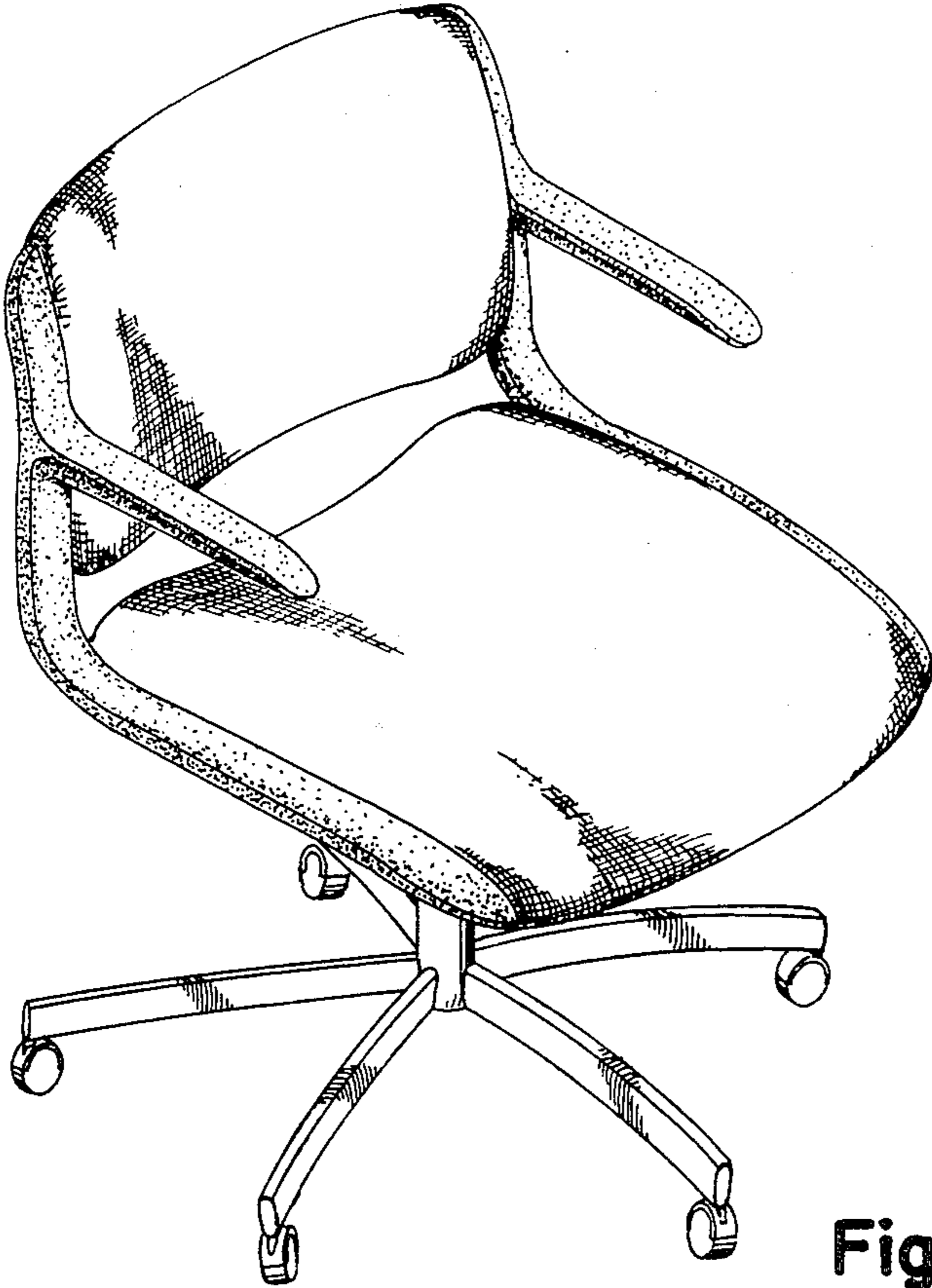


Fig. 1

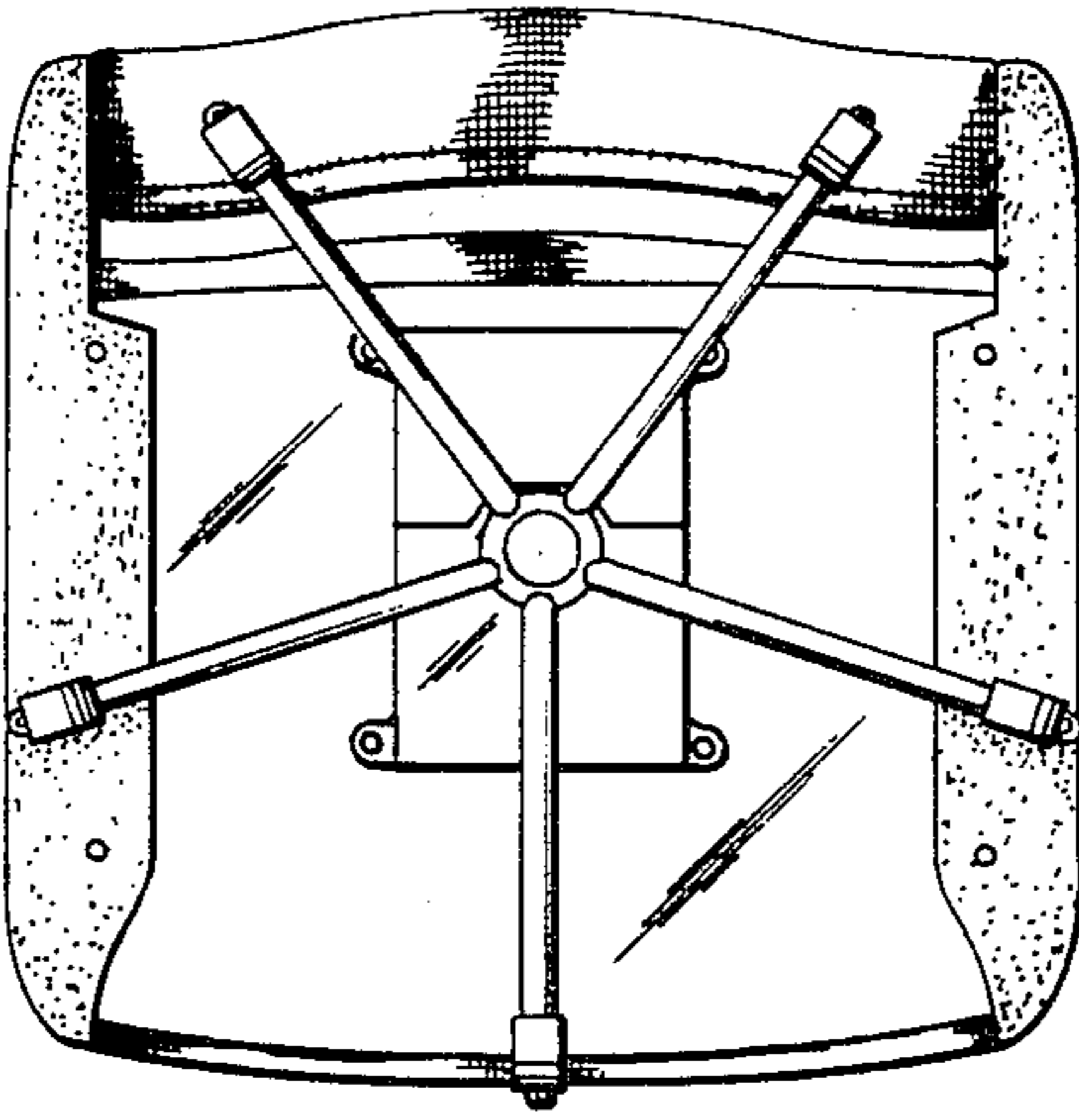


Fig. 2

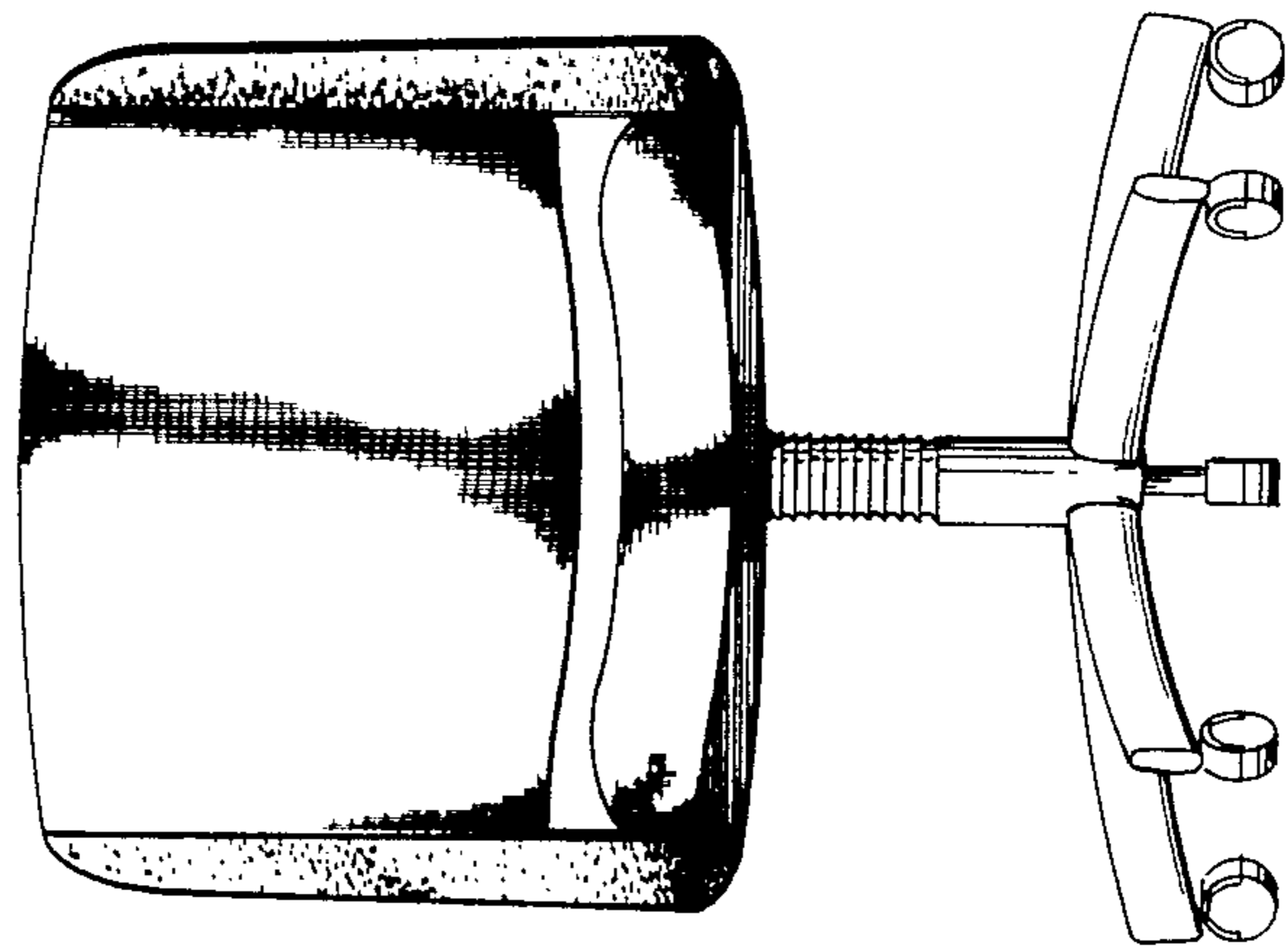


Fig. 3

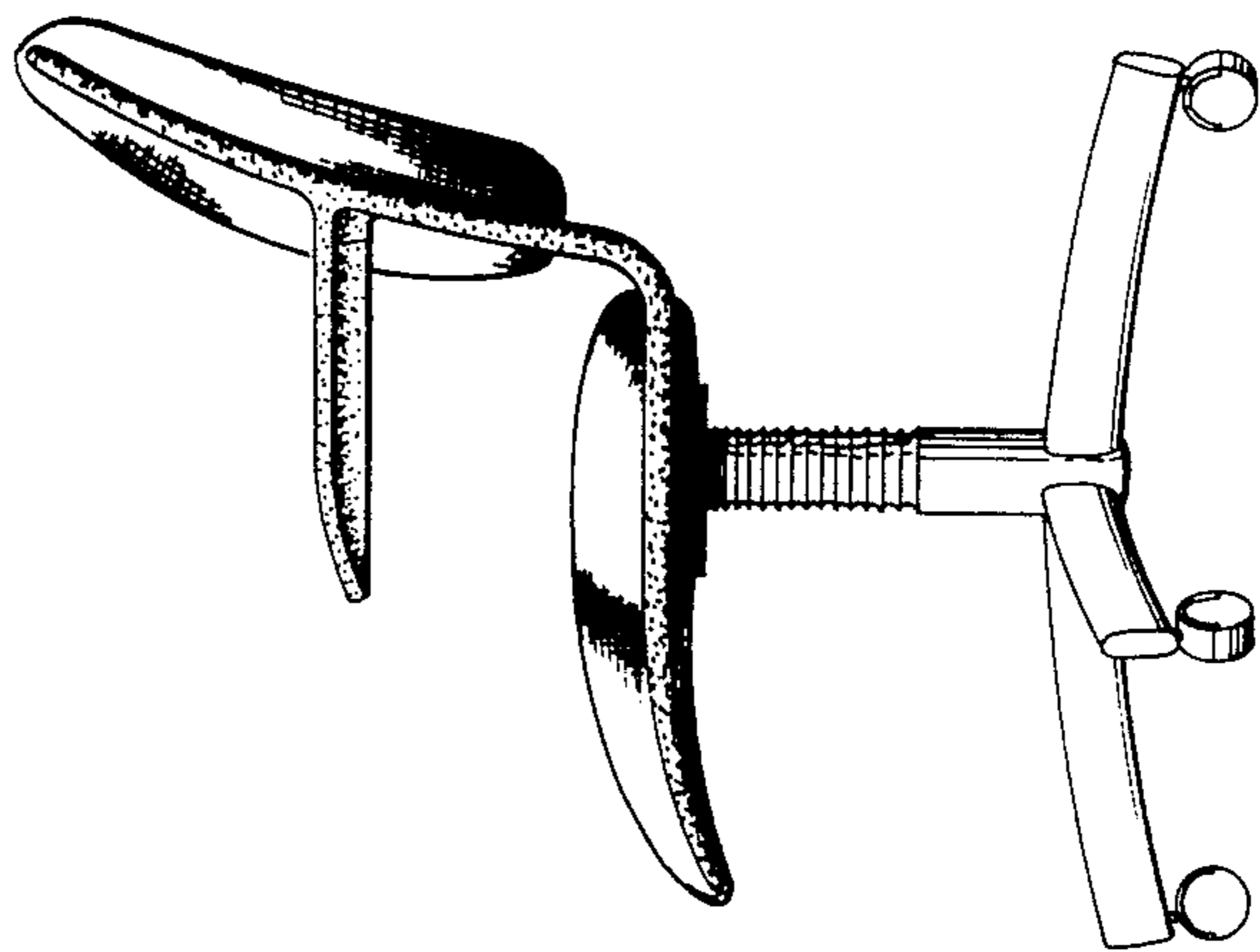


Fig. 4

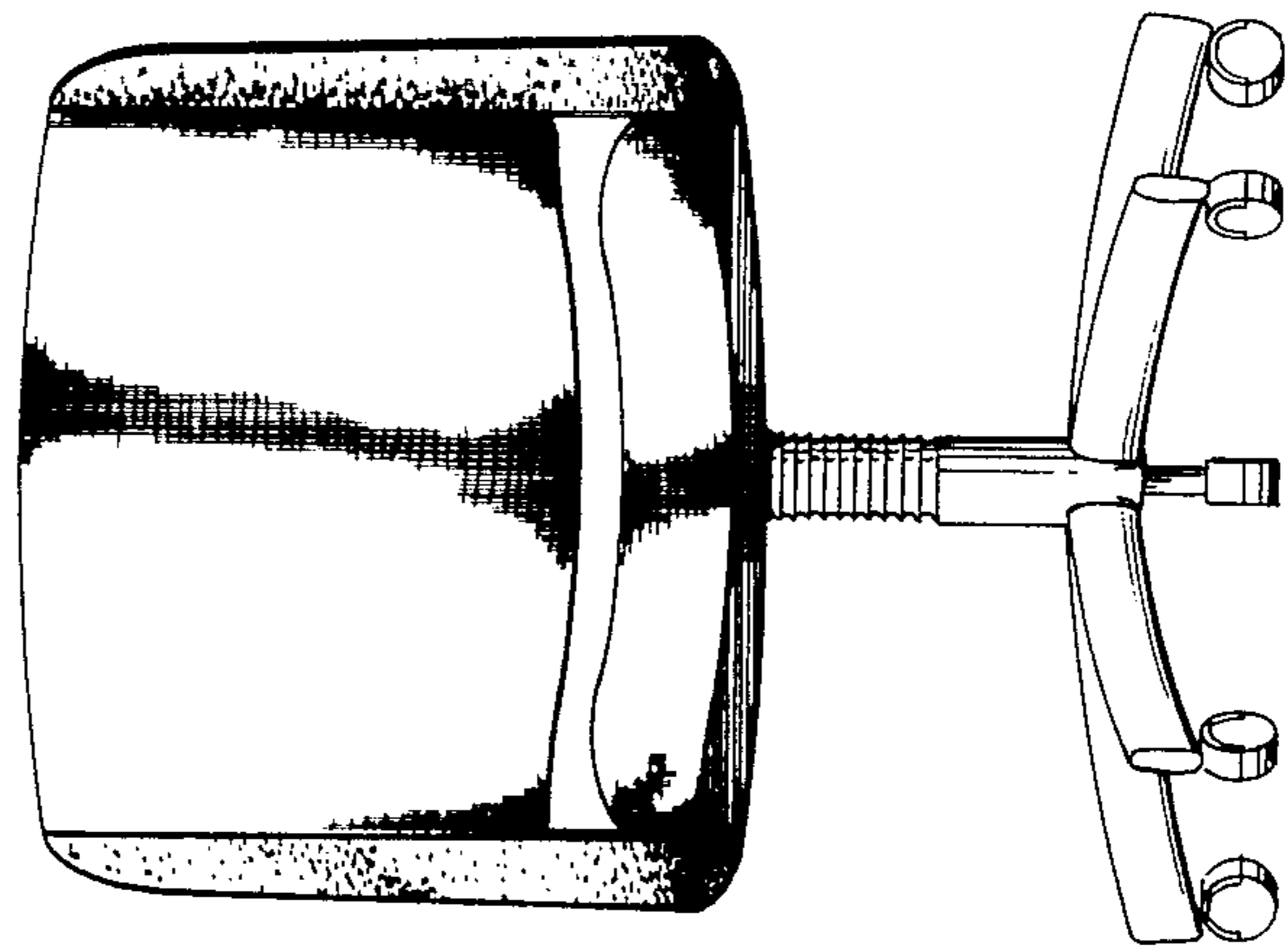


Fig. 5