

[54] **CHAIR**

[75] **Inventor:** Charles D. Helmholdt, Caledonia Township, Kent County, Mich.
[73] **Assignee:** Haworth Mfg., Inc., Holland, Mich.
[*] **Notice:** The portion of the term of this patent subsequent to Nov. 27, 1998 has been disclaimed.
[**] **Term:** 14 Years
[21] **Appl. No.:** 191,601

[22] **Filed:** Sep. 29, 1980
(Under 37 CFR 1.47)
[52] **U.S. Cl.** D6/366
[58] **Field of Search** D6/20, 26, 30, 31

[56] **References Cited**
U.S. PATENT DOCUMENTS
D. 256,740 9/1980 Acton D6/31
D. 259,000 4/1981 Vogtherr D6/31

OTHER PUBLICATIONS

Design Catalog, 9-1976, p. 35, Chair upper right side of page, Hunting & Grandjean.
Industrial Design, Nov./Dec. 1978, p. 42, Chair right center by Blodee.
Steelcase Brochure entitled "Concentrx Plus".
Steelcase brochure entitled "ConCentrx/454"-pp. 1-12.
Primary Examiner—Bruce W. Dunkins
Attorney, Agent, or Firm—Flynn, Thiel, Boutell & Tanis

[57] **CLAIM**
The ornamental design for a chair, as shown and described.

DESCRIPTION

FIG. 1 is a front perspective view of a chair showing my design;
FIG. 2 is a rear perspective view;
FIG. 3 is a front elevational view;
FIG. 4 is a rear elevational view;
FIG. 5 is a top plan view of the chair of FIG. 3; and
FIG. 6 is a right side elevational view of the chair shown in FIG. 3, the left side elevational view being substantially identical thereto.





FIG. 1

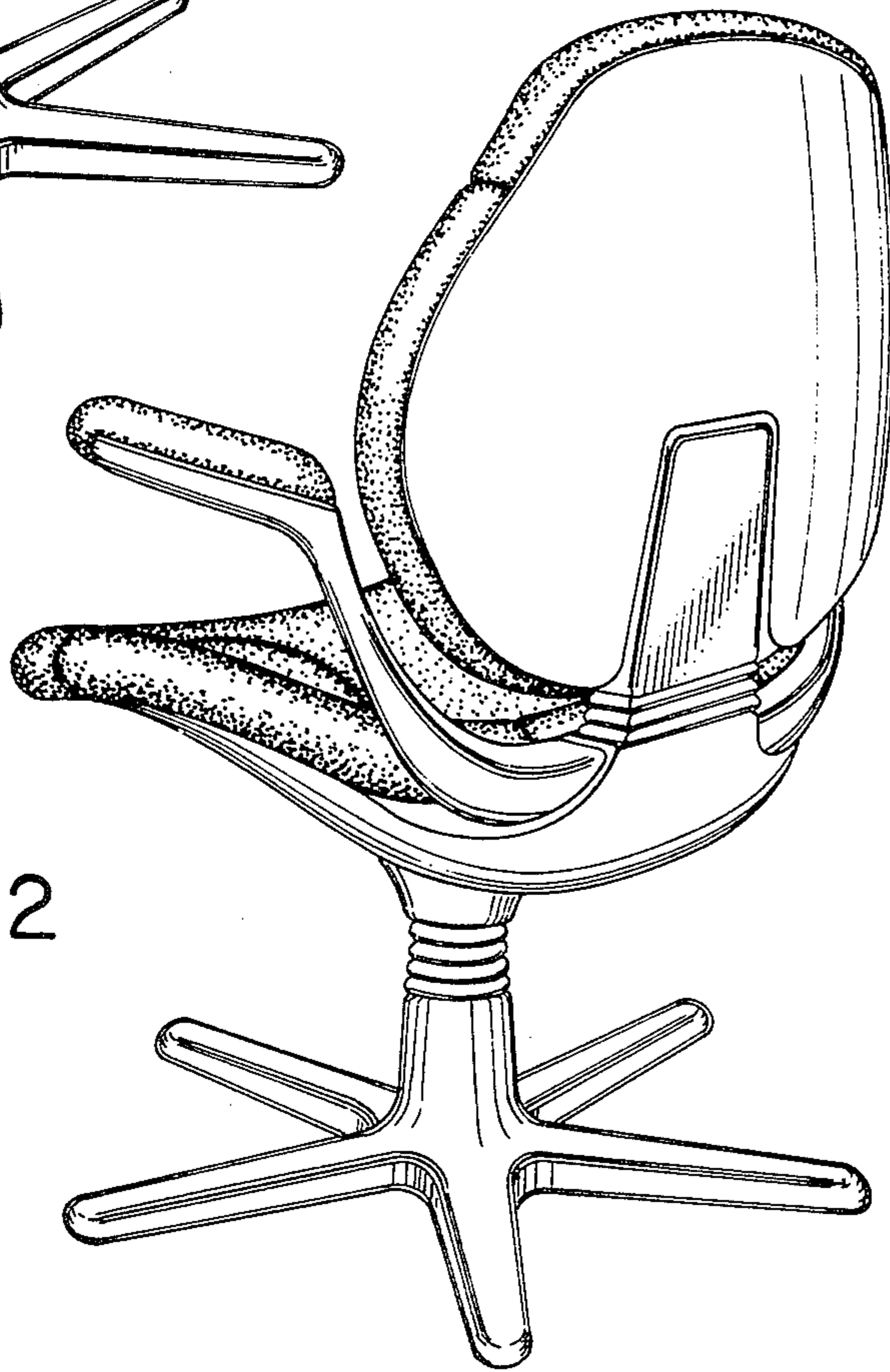


FIG. 2

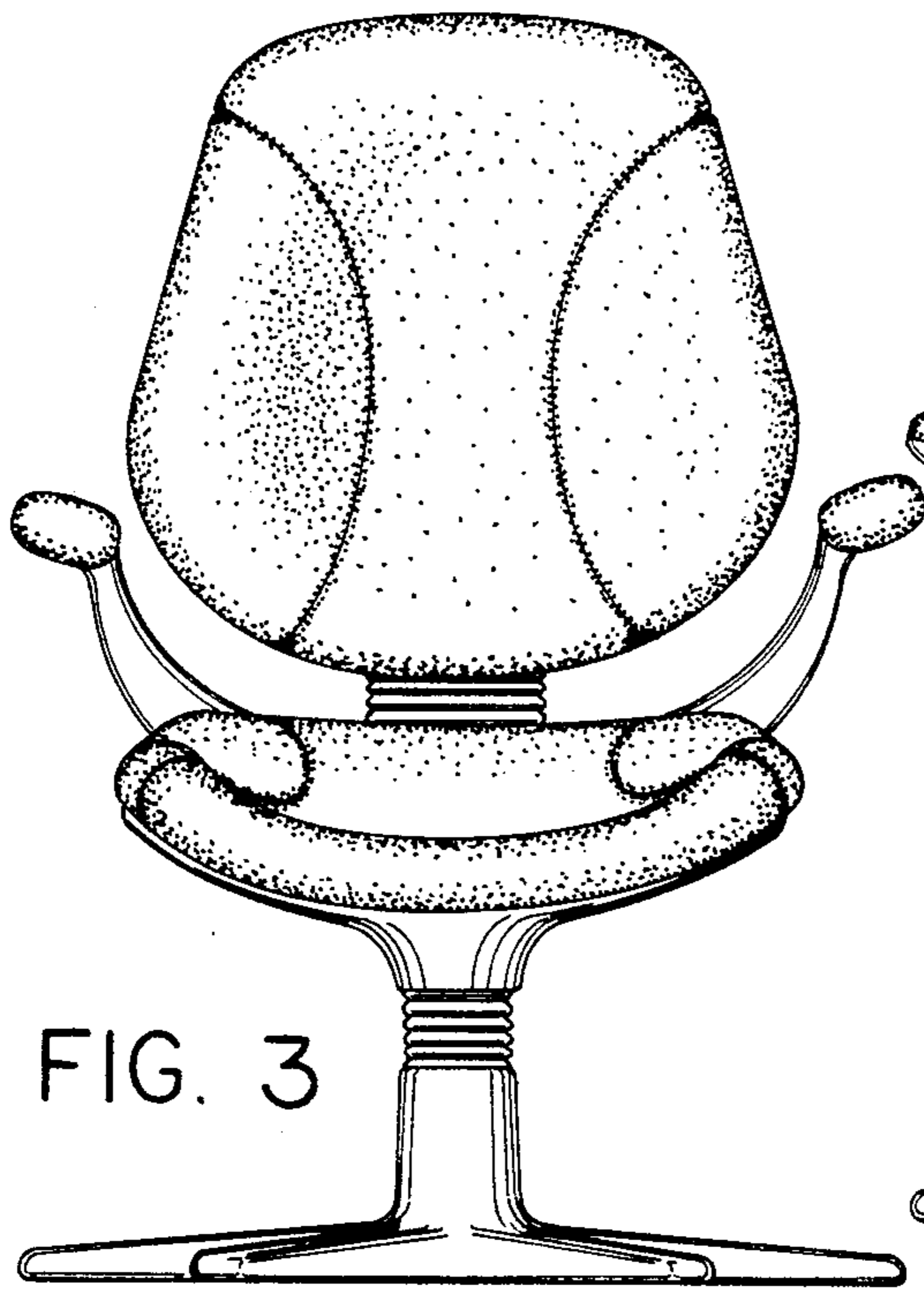


FIG. 3

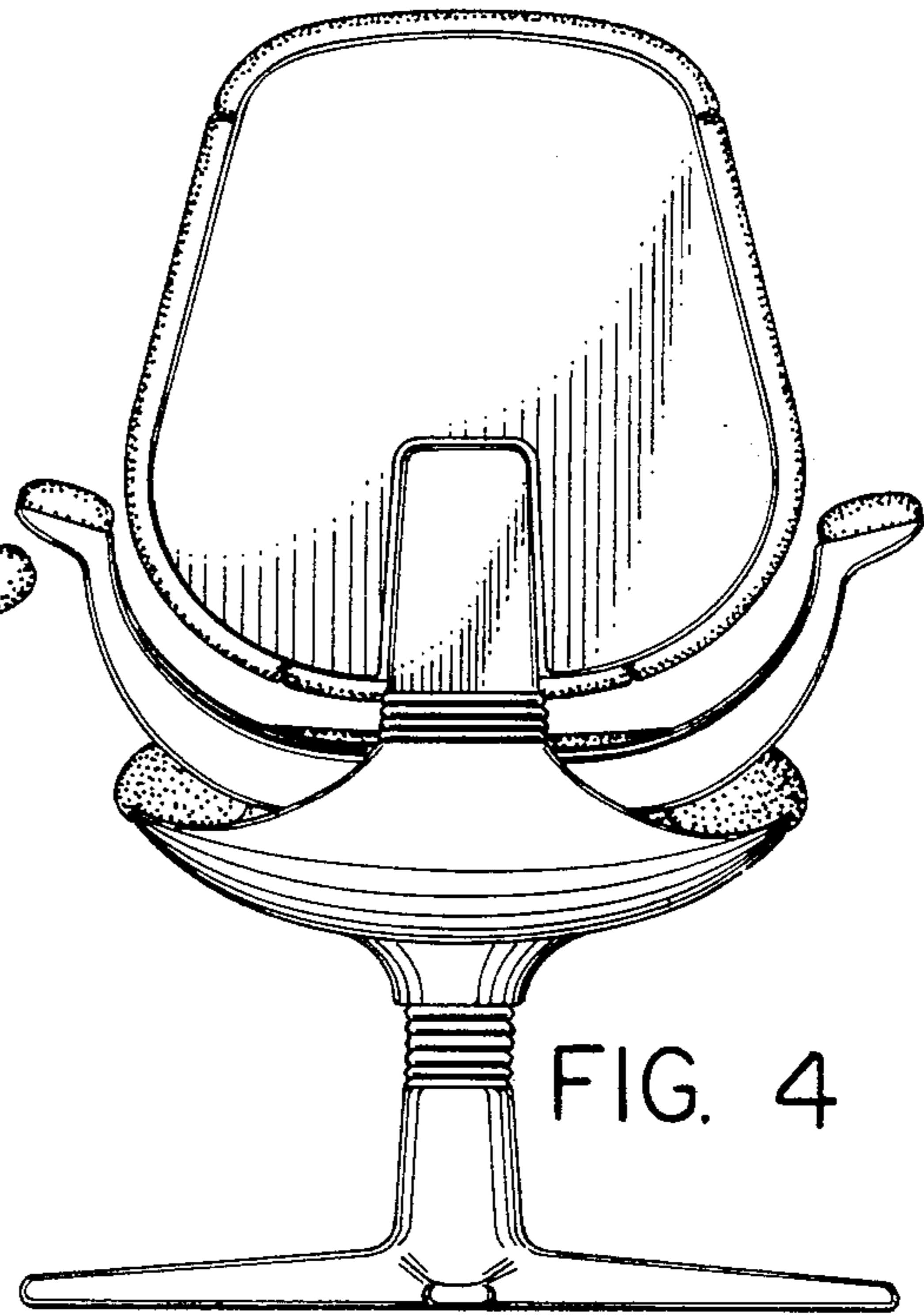


FIG. 4

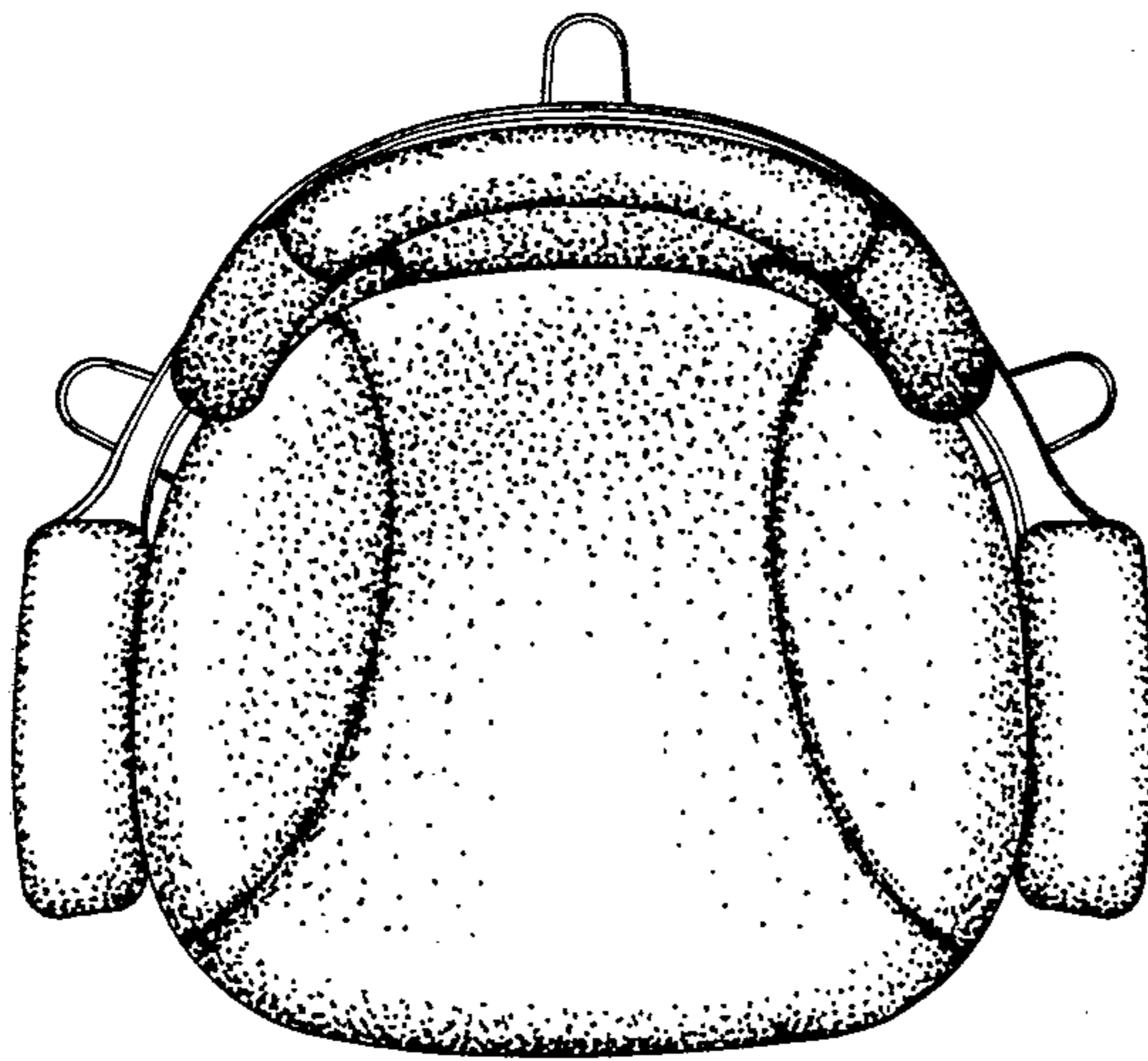


FIG. 5

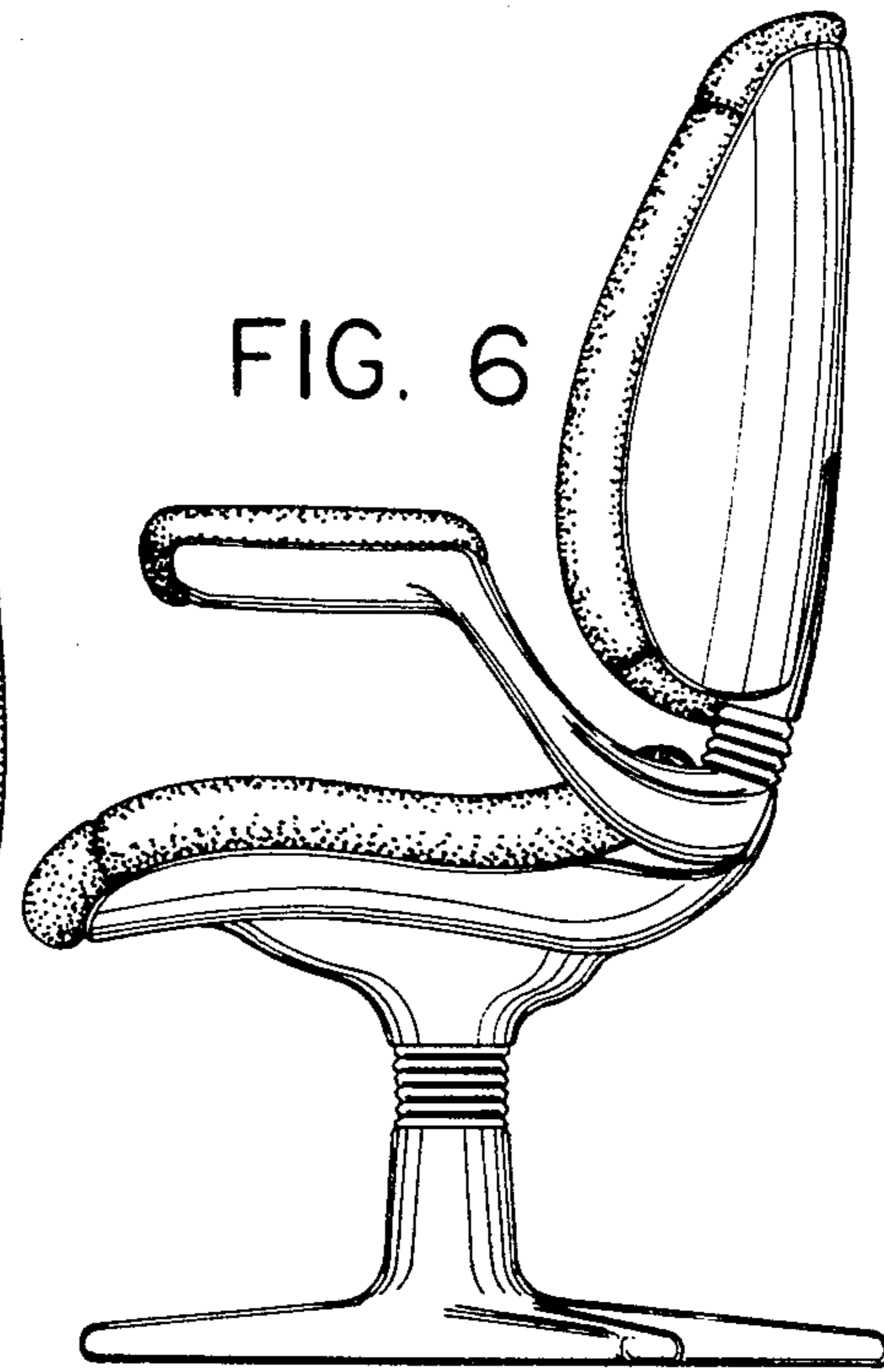


FIG. 6