

[54] **TOOTHBRUSH**

[75] **Inventor: James O'Halloran, Tortola, V.I.**
[73] **Assignee: Radius Corporation, New York, N.Y.**
[**] **Term: 14 Years**
[21] **Appl. No.: 430,122**

[22] **Filed: Sep. 30, 1982**
[52] **U.S. Cl. D4/111**
[58] **Field of Search D4/24, 25; 15/167 R,
15/143 R, 159, 160; 132/84**

[56] **References Cited**
U.S. PATENT DOCUMENTS
2,056,447 10/1936 Fell 15/167 R
2,094,240 9/1937 Herrick et al. 15/167 R

FOREIGN PATENT DOCUMENTS

2840429 3/1980 Fed. Rep. of Germany 15/167 R
835142 9/1938 France 15/167 R
881678 2/1943 France 15/167 R

*Primary Examiner—Catherine E. Kemper
Attorney, Agent, or Firm—Darby & Darby*

[57] **CLAIM**

The ornamental design for a toothbrush, as shown.

DESCRIPTION

FIG. 1 is a top view of my toothbrush showing my new design;
FIG. 2 is a left side view thereof;
FIG. 3 is a bottom view thereof;
FIG. 4 is a right side view thereof;
FIG. 5 is a head end view thereof; and
FIG. 6 is a handle end view thereof.
The pattern of bristles which is fragmentarily shown in all views is understood to repeat uniformly and continuously across the entire face of the brush head.

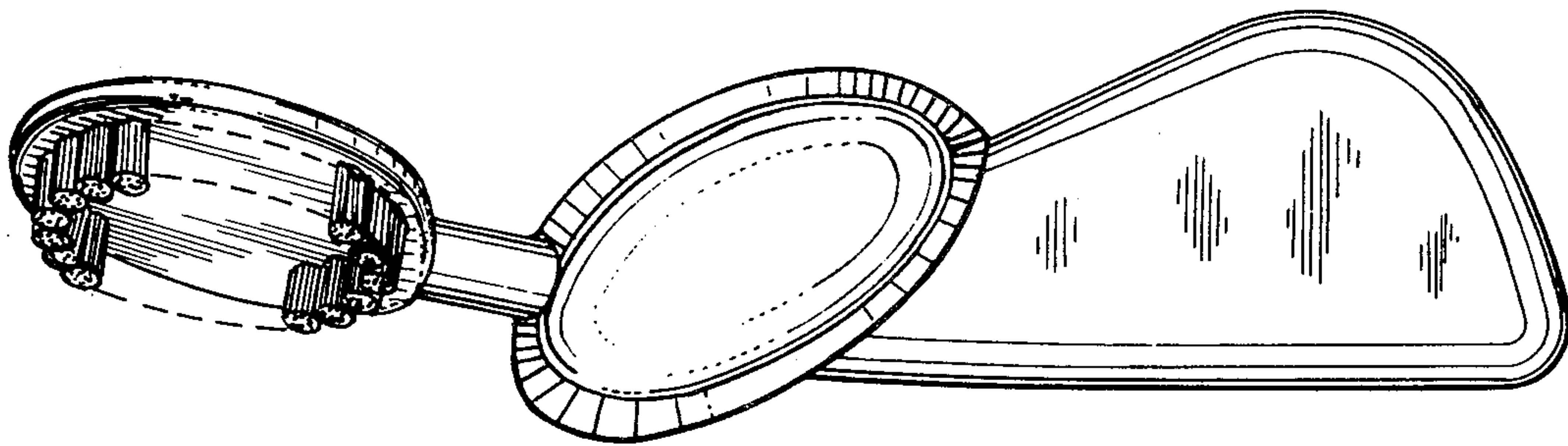


FIG. 1

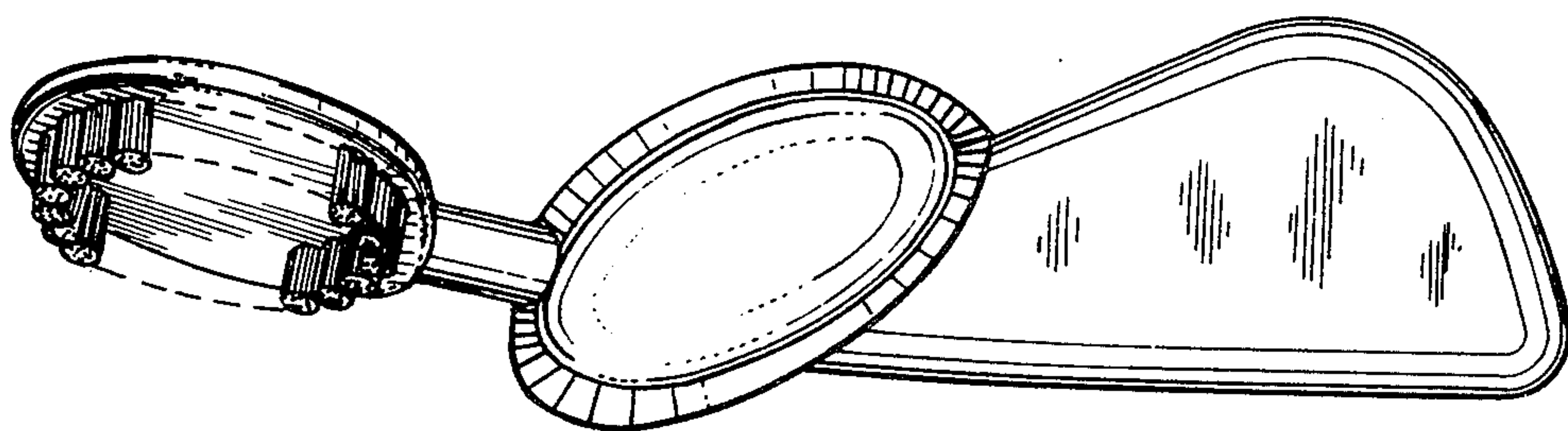


FIG. 2

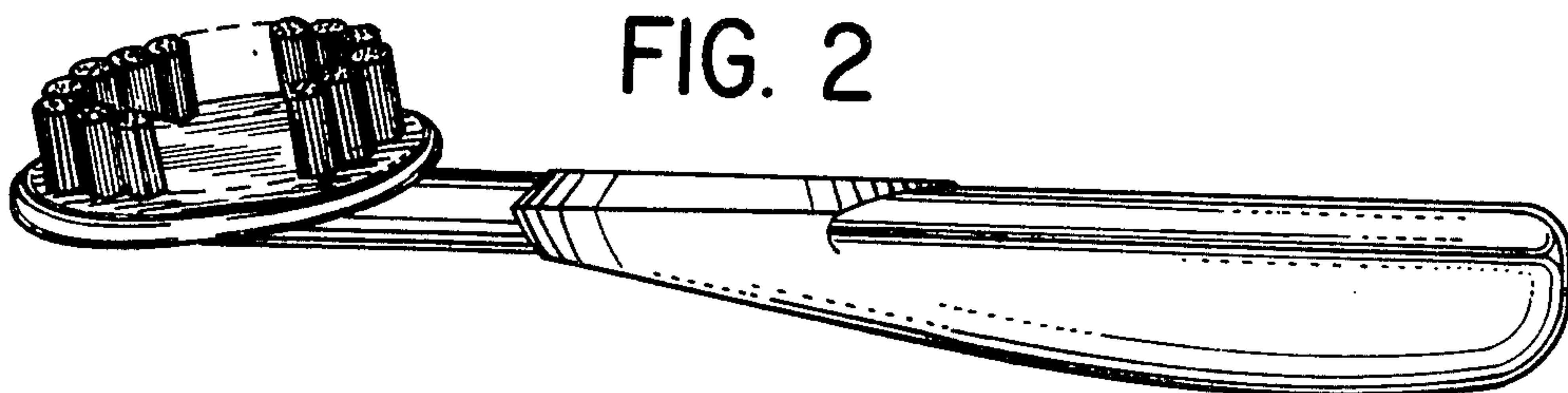


FIG. 3

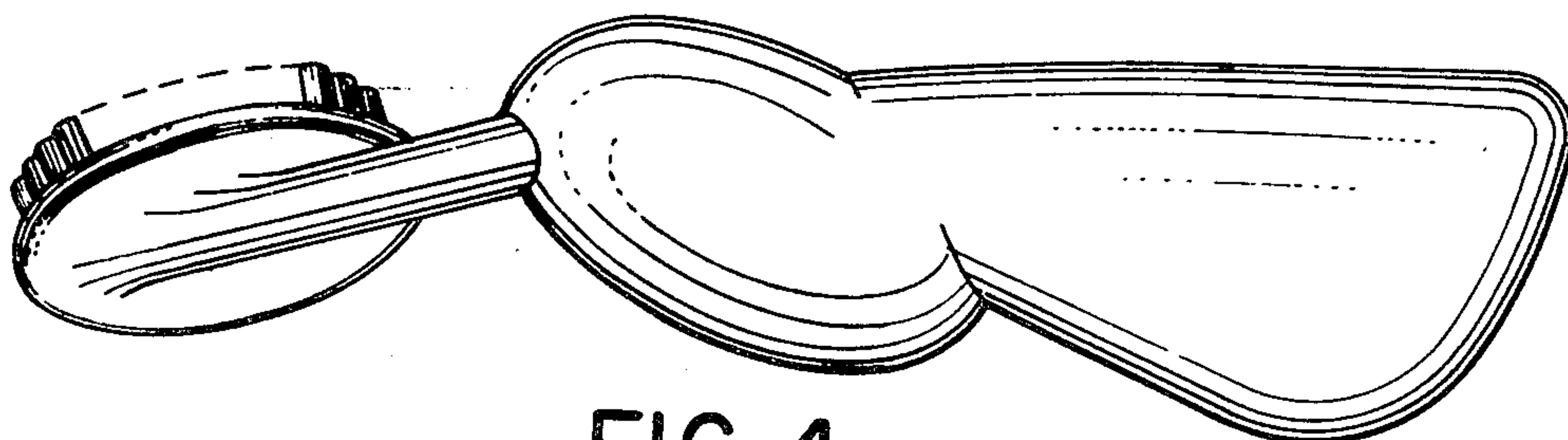


FIG. 4

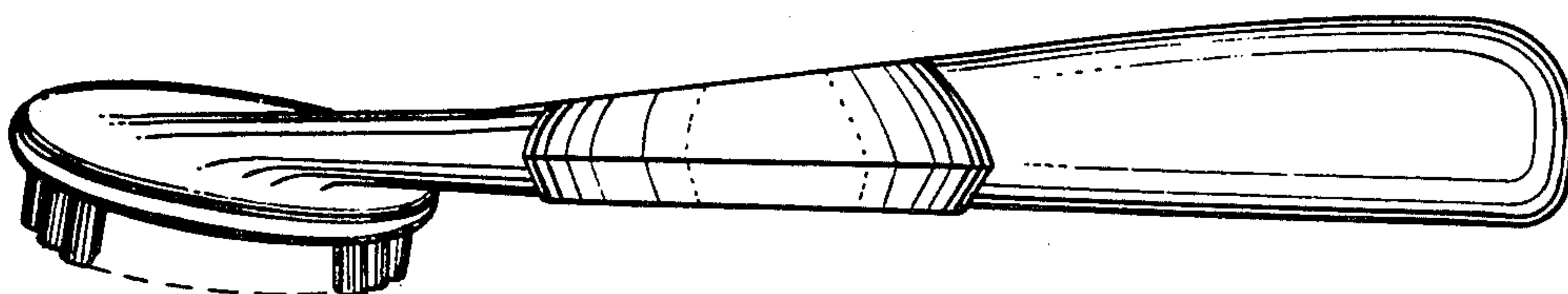


FIG. 5

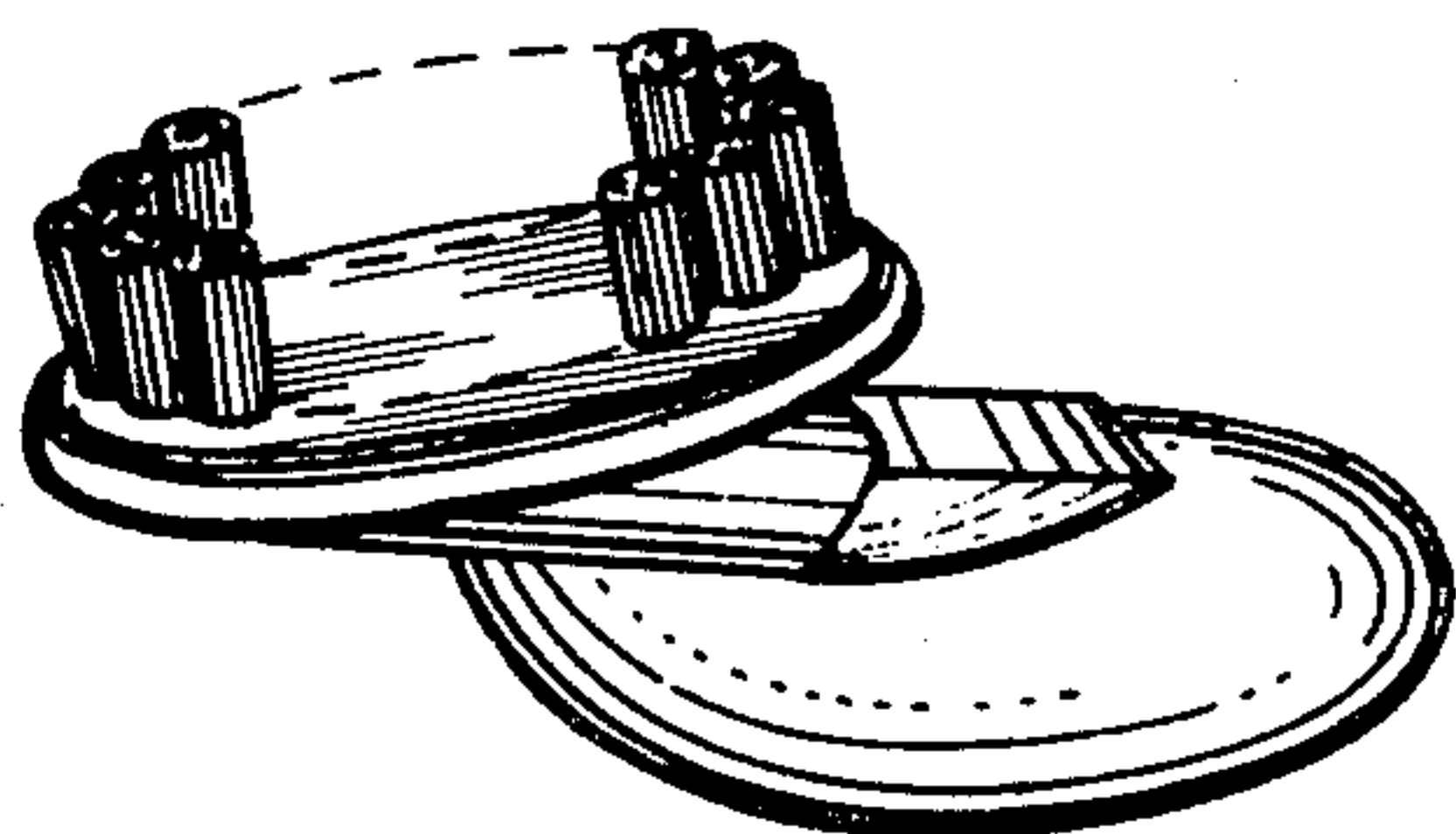


FIG. 6

