

[54] COMBINATION FIBERGLASS SWIMMING POOL AND SPA

[76] Inventor: George P. Sullivan, P.O. Box 652, Hemet, Calif. 92343

[\*\*] Term: 14 Years

[21] Appl. No.: 441,665

[22] Filed: Nov. 15, 1982

[52] U.S. Cl. .... D24/38; D25/2

[58] Field of Search ..... 4/513, 492, 489, 497; 52/169.7; D25/2; D24/38; 128/366

[56] References Cited

U.S. PATENT DOCUMENTS

D. 181,044	9/1957	Eubanks, Jr. ....	D25/2
D. 244,939	7/1977	Harman .....	D25/2
D. 266,697	10/1982	Topete .....	D24/38
D. 271,995	12/1983	Topete .....	D25/2 X
4,306,394	12/1981	Blakeway .....	4/513 X

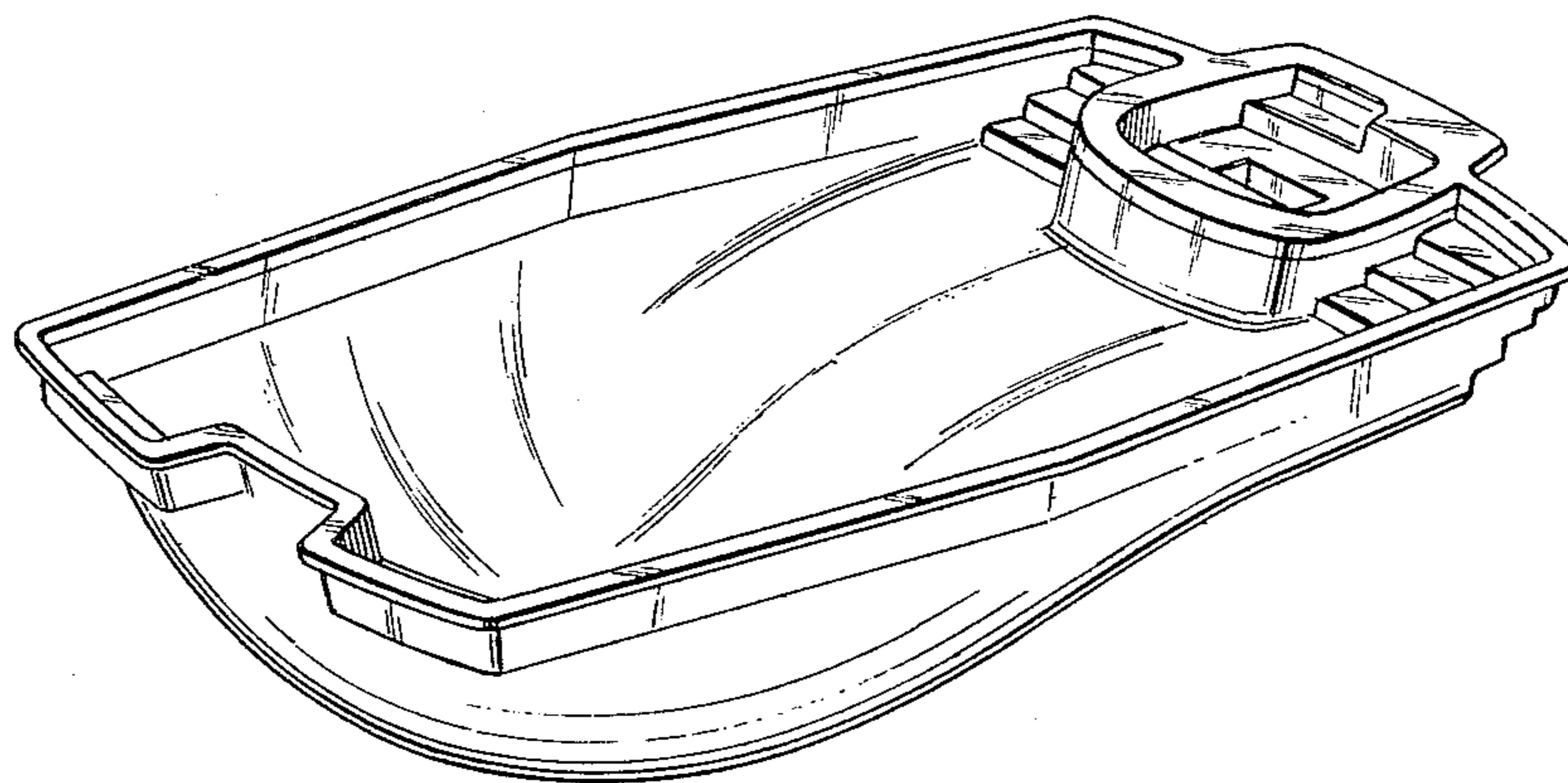
Primary Examiner—A. Hugo Word  
Attorney, Agent, or Firm—Hubbard & Stetina

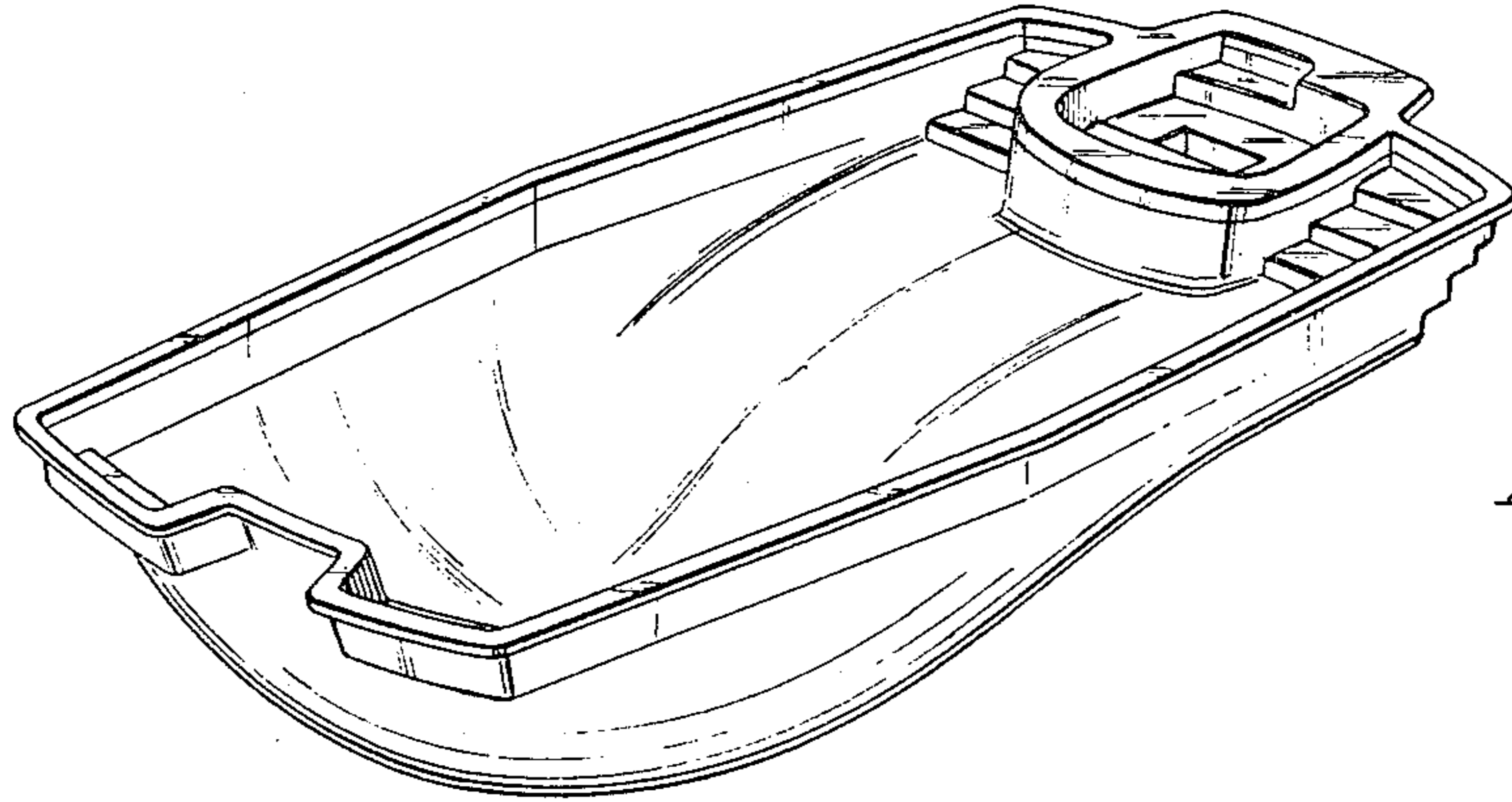
[57] CLAIM

The ornamental design for a combination fiberglass swimming pool and spa, as shown and described.

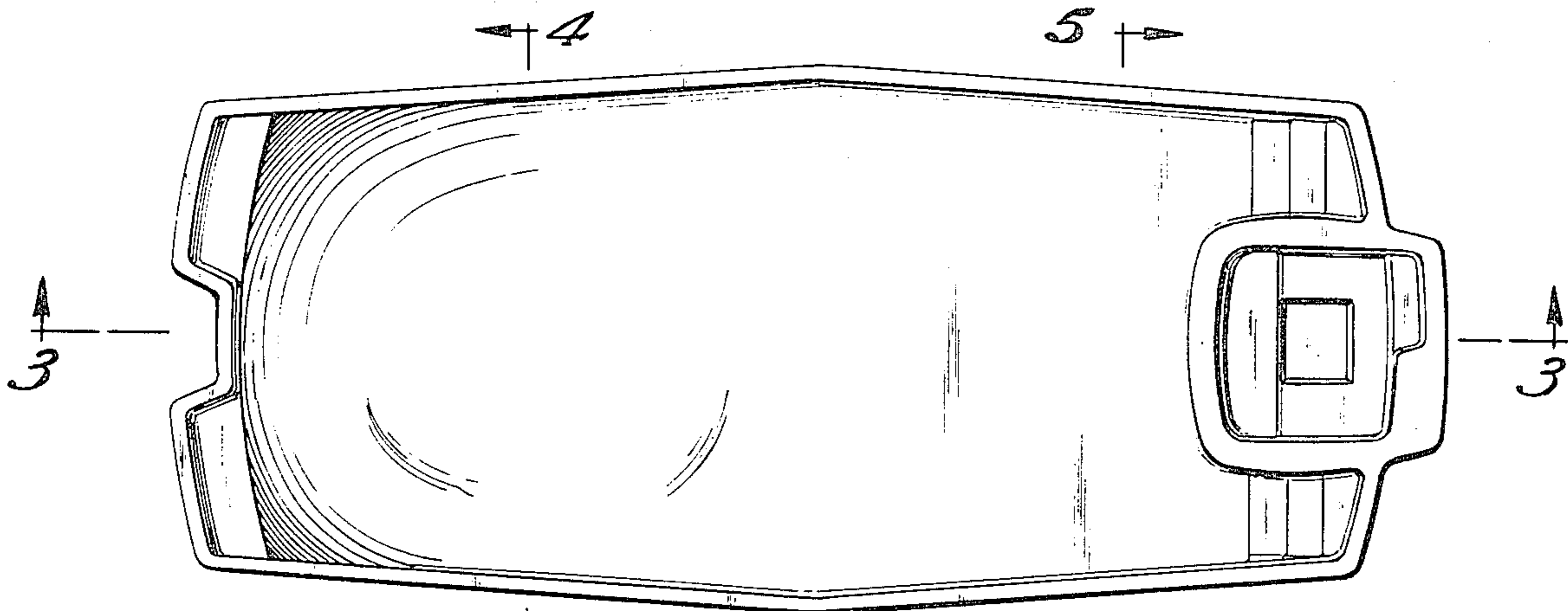
DESCRIPTION

FIG. 1 is a perspective view of the combination fiberglass swimming pool and spa of the present invention; FIG. 2 is a top plan view of the fiberglass swimming pool and spa of the present invention; FIG. 3 is a cross-sectional view of the fiberglass swimming pool and spa of the present invention taken along lines 3—3 of FIG. 2; FIG. 4 is a cross-sectional view of the fiberglass swimming pool and spa of the present invention taken along lines 4—4 of FIG. 2; and FIG. 5 is a cross-sectional view of the fiberglass swimming pool and spa of the present invention taken about lines 5—5 of FIG. 2.

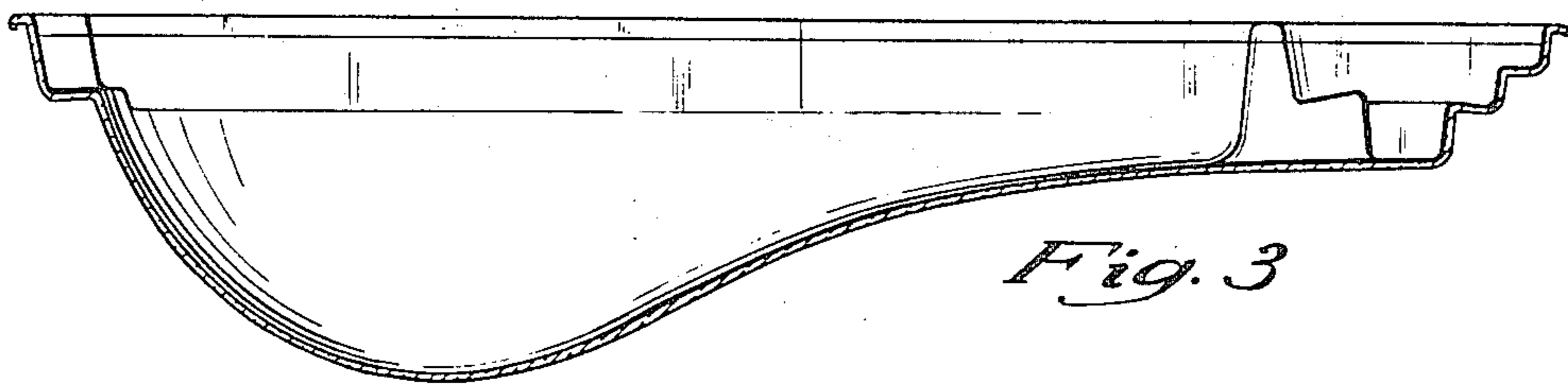




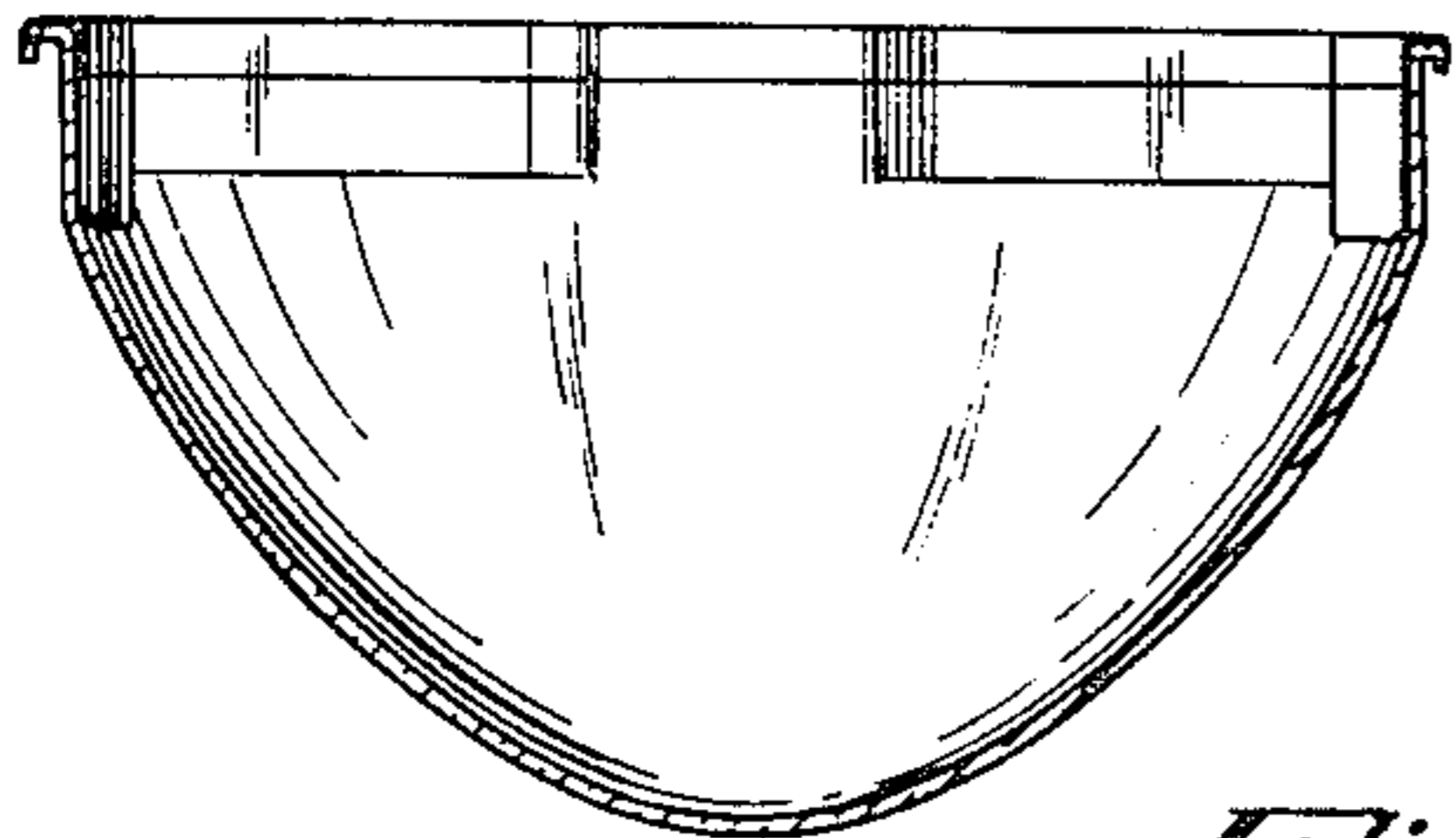
*Fig. 1*



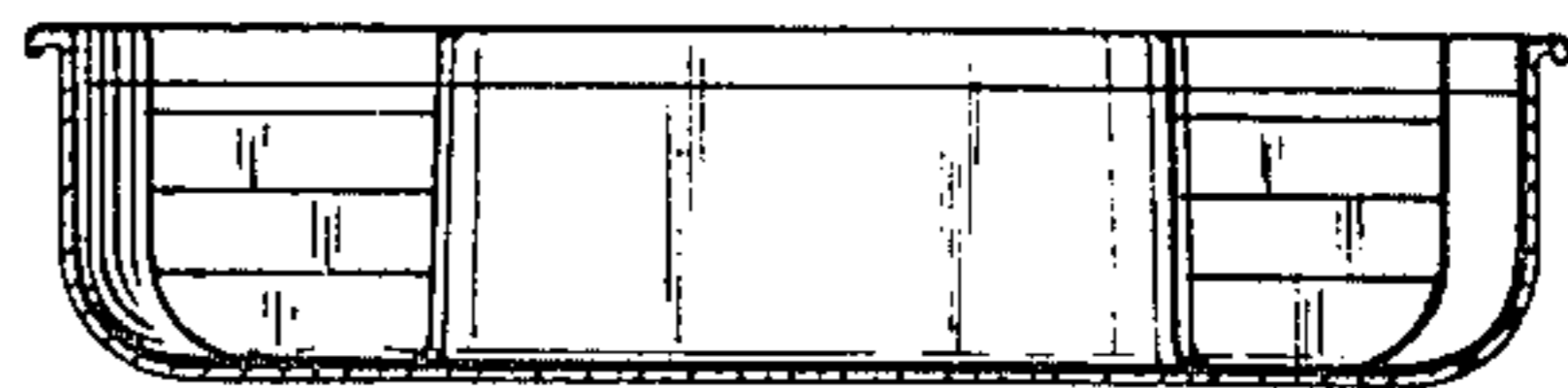
*Fig. 2*



*Fig. 3*



*Fig. 4*



*Fig. 5*