

[54] DENTAL SYRINGE

[76] Inventor: William B. Dragan, Burr St., RFD #1, Fairfield, Conn. 06430

[\*\*] Term: 14 Years

[21] Appl. No.: 319,041

[22] Filed: Nov. 6, 1981

[52] U.S. Cl. .... D24/24

[58] Field of Search ..... 604/223, 208, 207, 210; D24/24

[56] References Cited

U.S. PATENT DOCUMENTS

D. 208,610	9/1967	Parisi .....	D24/24
D. 263,635	3/1982	Wendt .....	D24/24
3,110,310	11/1963	Cislak .....	604/209
4,033,346	7/1977	Phillips et al. ....	604/208
4,067,334	1/1978	Haller .....	604/223 X
4,276,878	7/1981	Storz .....	604/223

Primary Examiner—Susan J. Lucas  
Attorney, Agent, or Firm—Arthur T. Fattibene

[57] CLAIM

The ornamental design for the dental syringe, substantially as shown and described.

DESCRIPTION

FIG. 1 is a perspective view of the dental syringe showing a new design.  
 FIG. 2 is a left side view thereof.  
 FIG. 3 is a right side view thereof.  
 FIG. 4 is a top view thereof.  
 FIG. 5 is a bottom view thereof.  
 FIG. 6 is a front view thereof.  
 FIG. 7 is a rear view thereof.  
 FIG. 8 is a fragmentary perspective view of a second embodiment of my design;  
 FIG. 9 is a fragmentary perspective view of a third embodiment of my new design;  
 FIG. 10 is a fragmentary perspective view of a fourth embodiment of my new design.  
 The dental syringe is fragmentarily shown in FIGS. 8, 9 and 10 for convenience of illustration, it being understood that the injection gun in the second, third, and fourth embodiments is identical to that of the first embodiment.

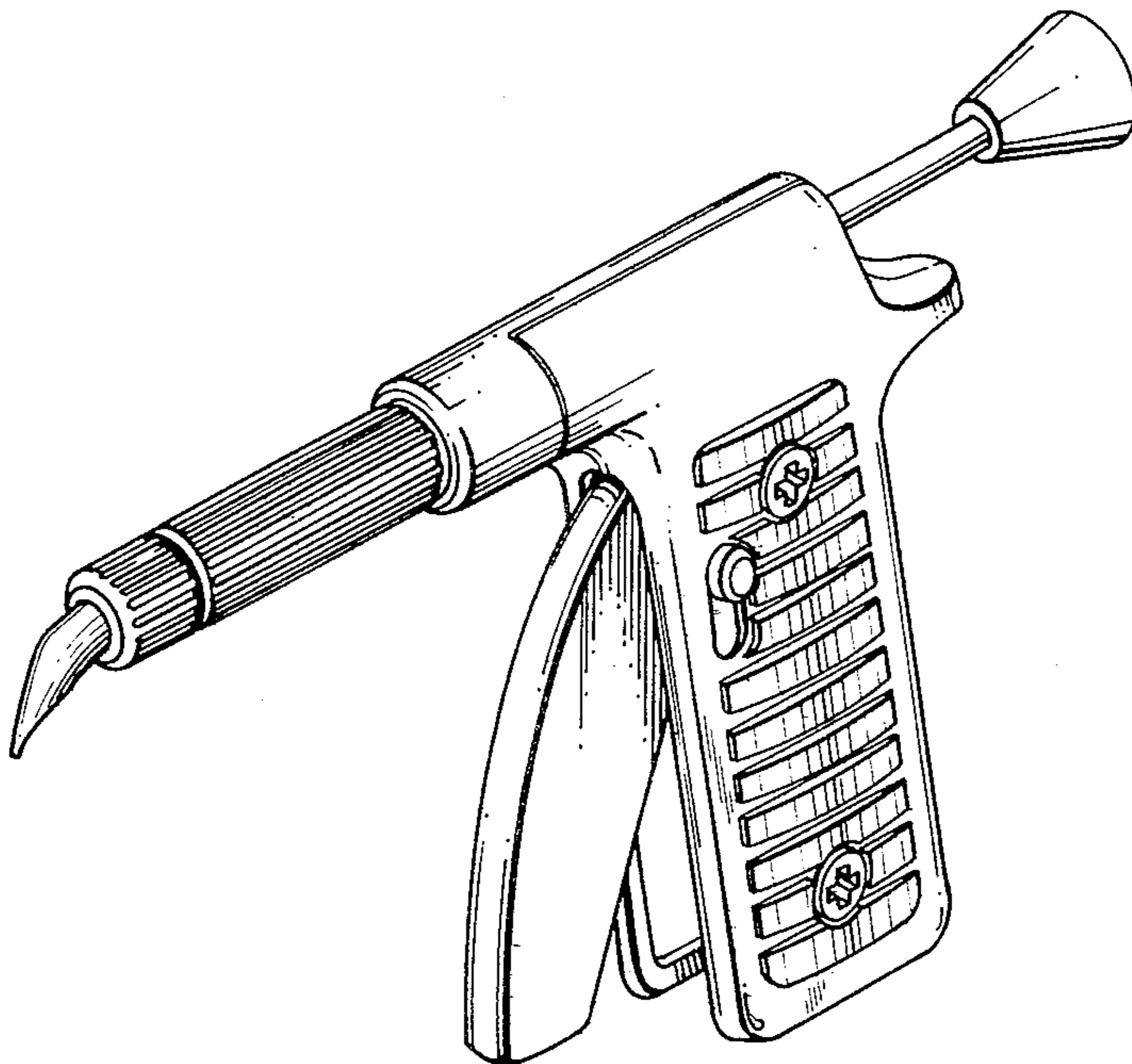


FIG. 1

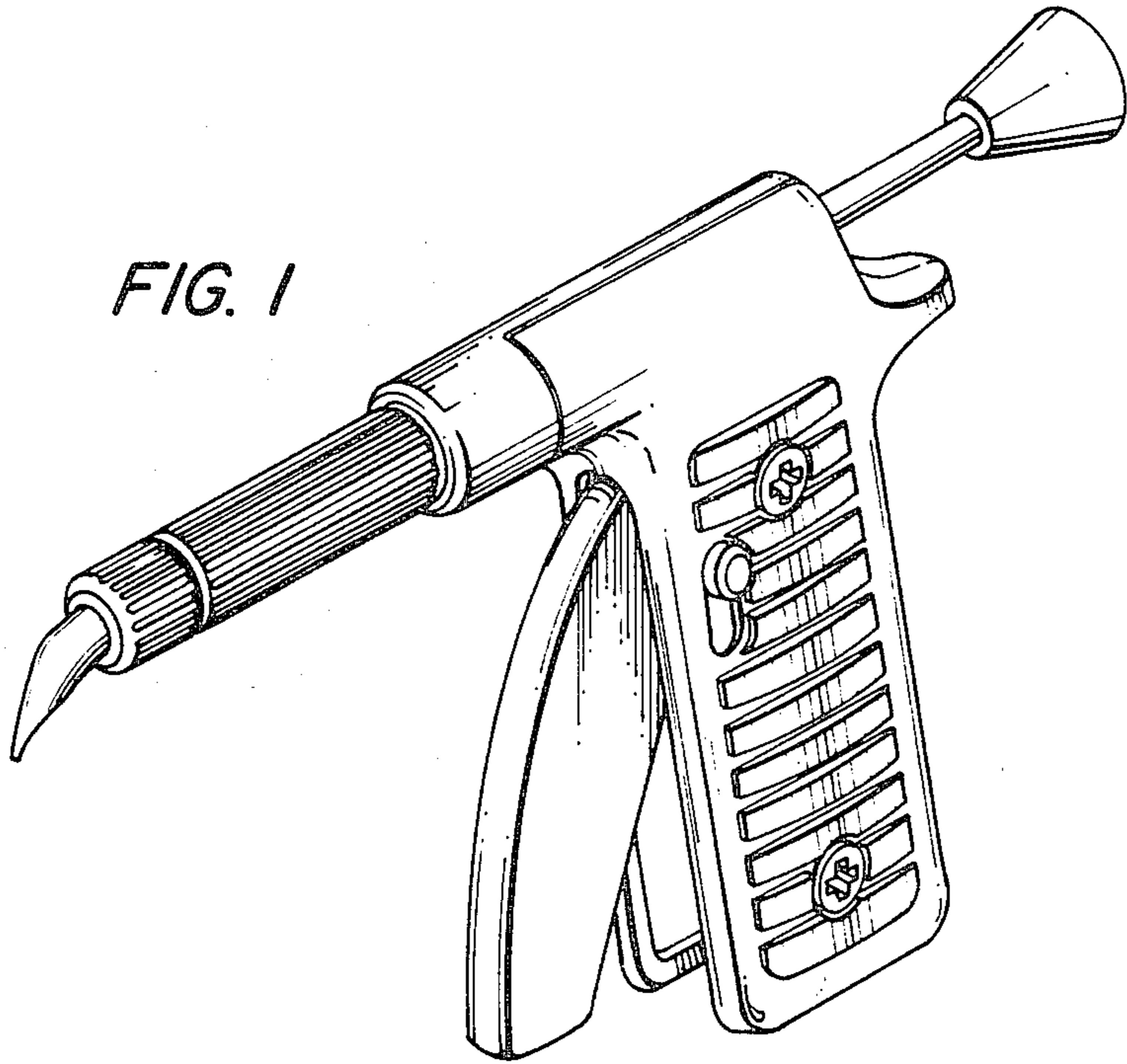
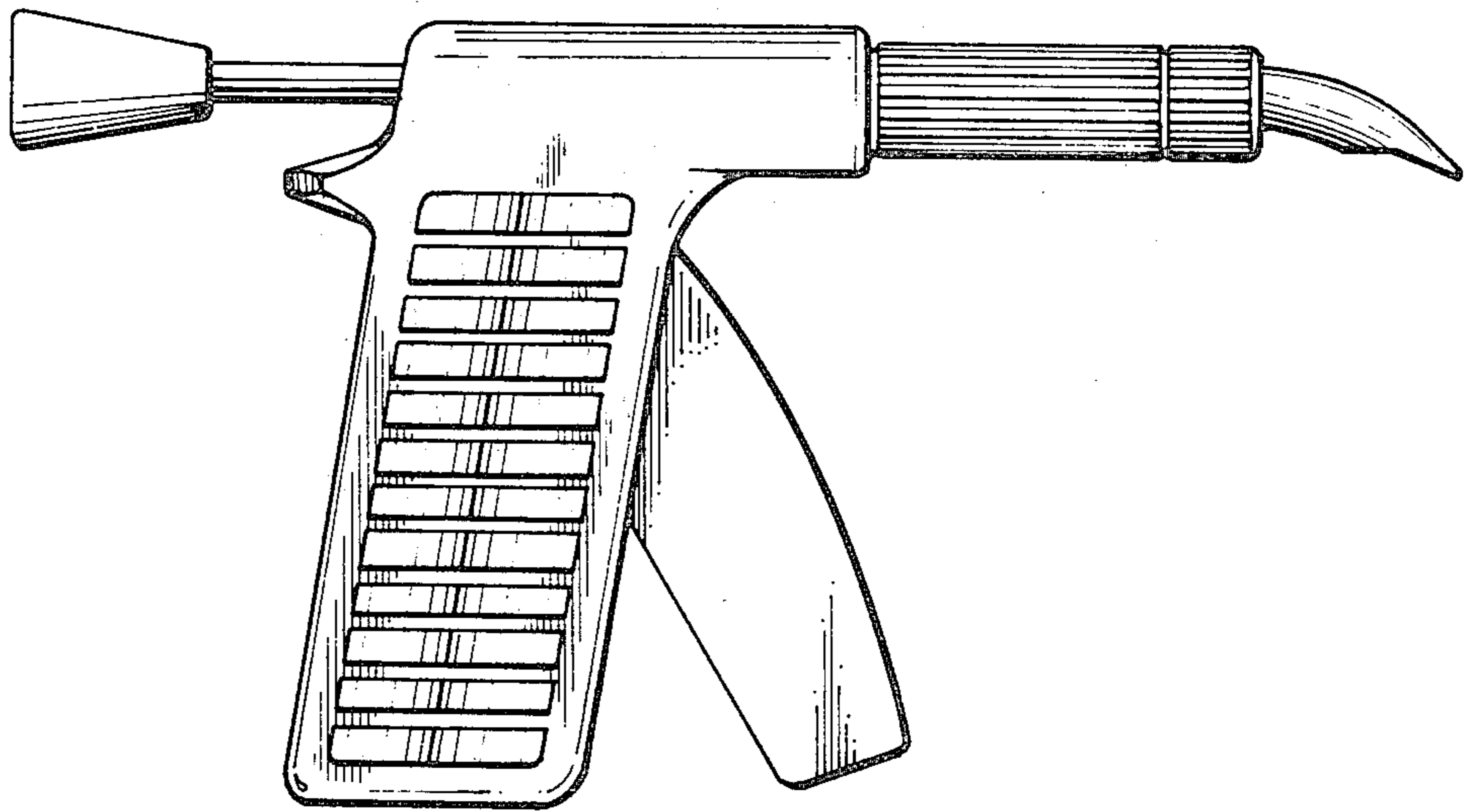


FIG. 2



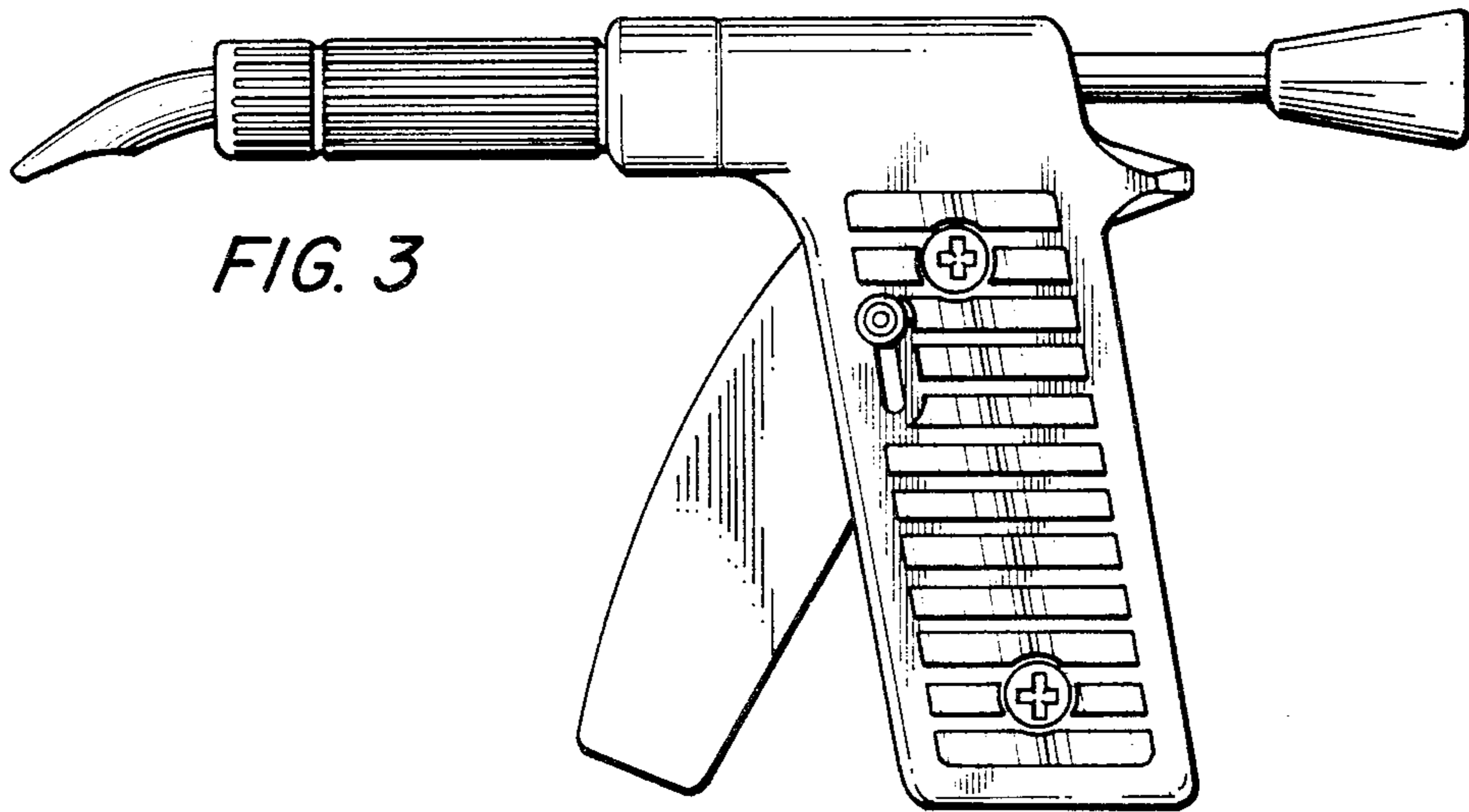


FIG. 3

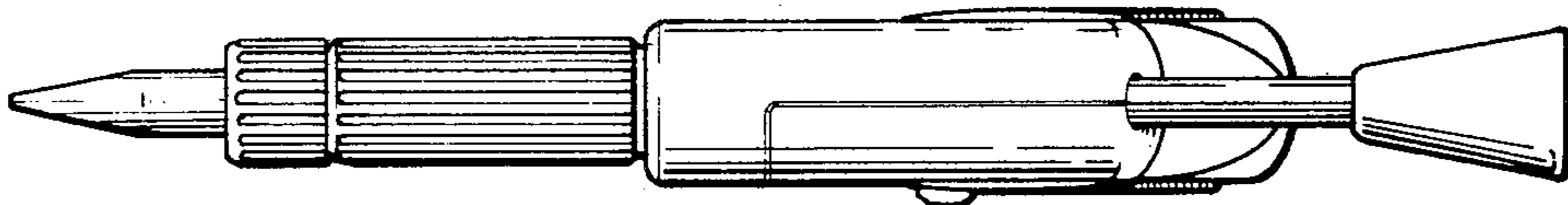


FIG. 4

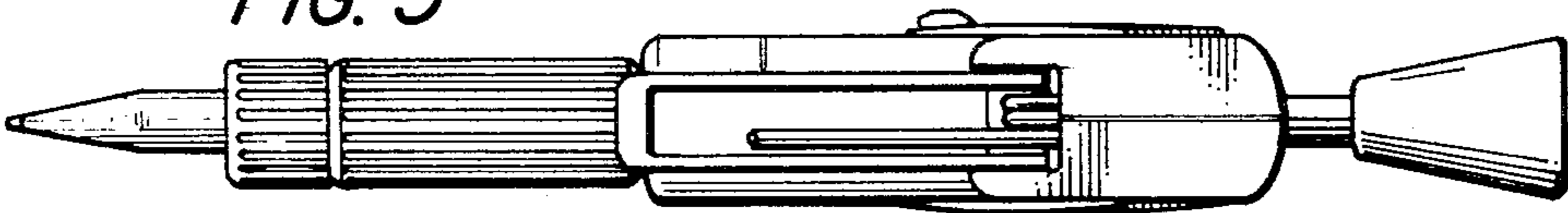


FIG. 5

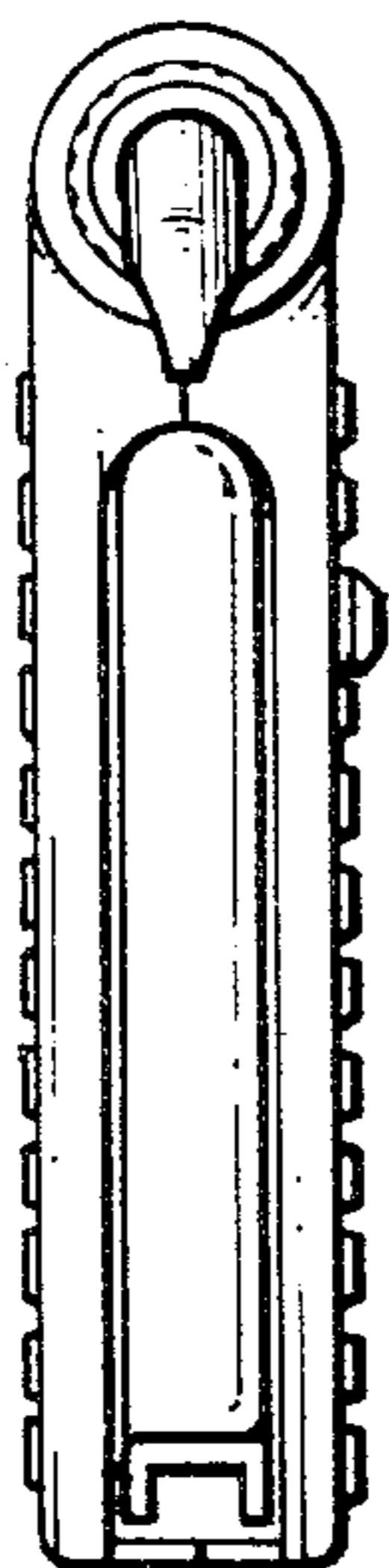


FIG. 6

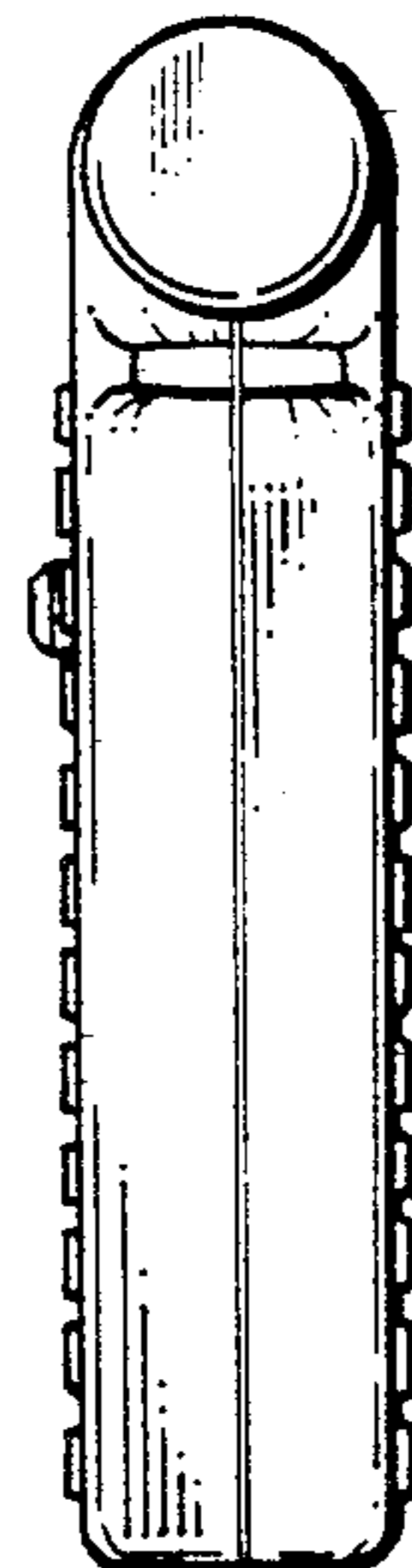


FIG. 7

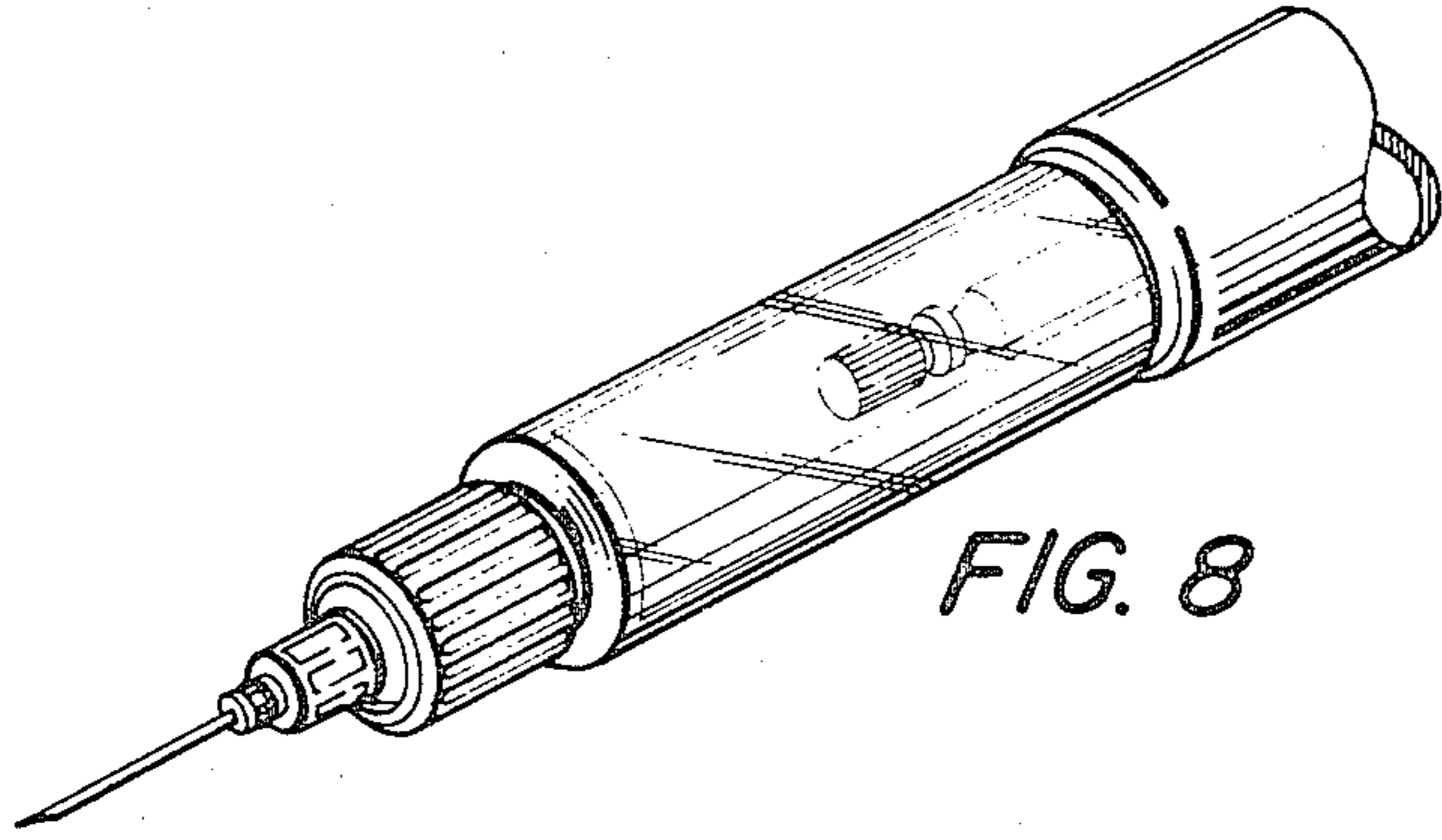


FIG. 8

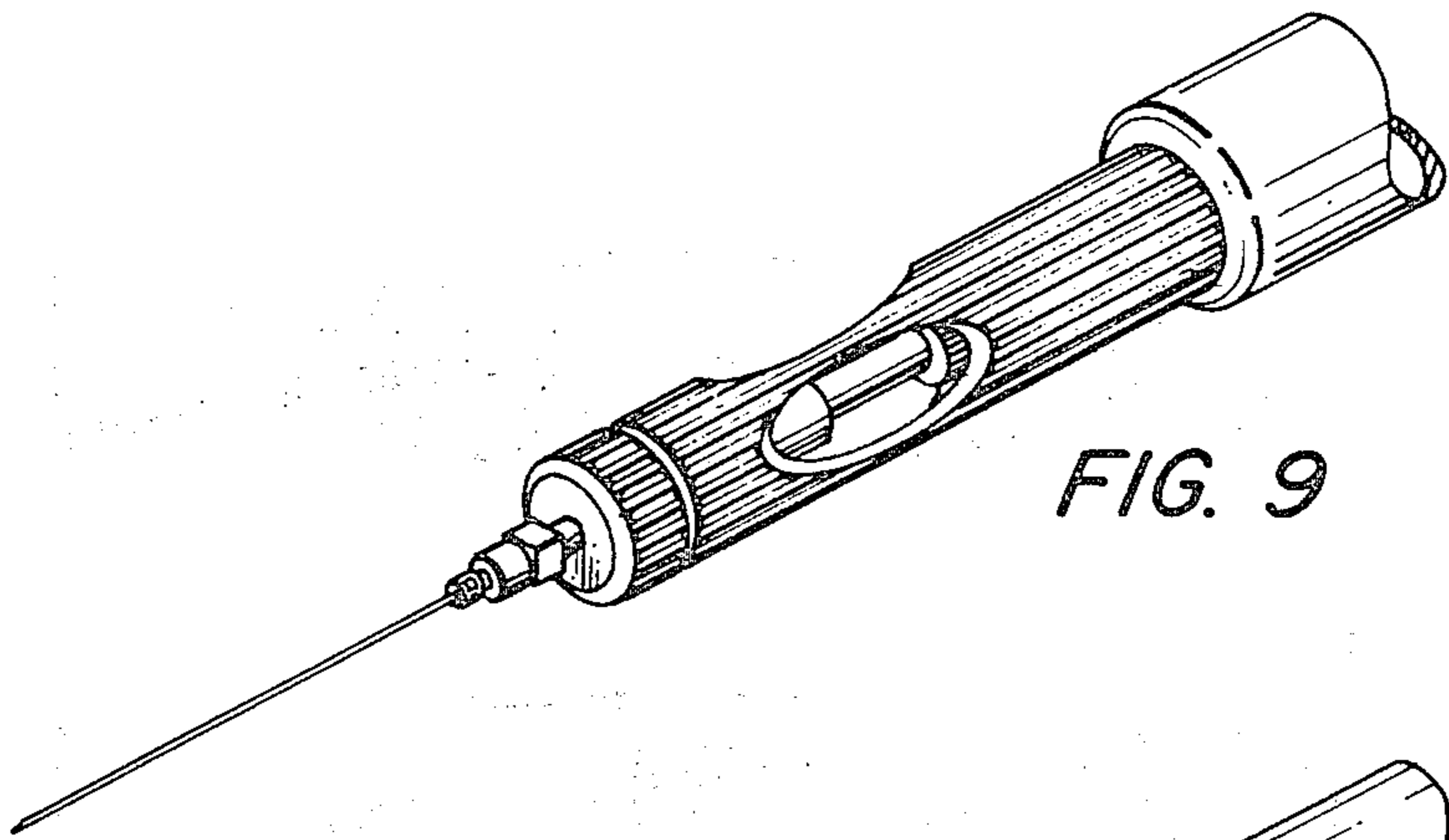


FIG. 9

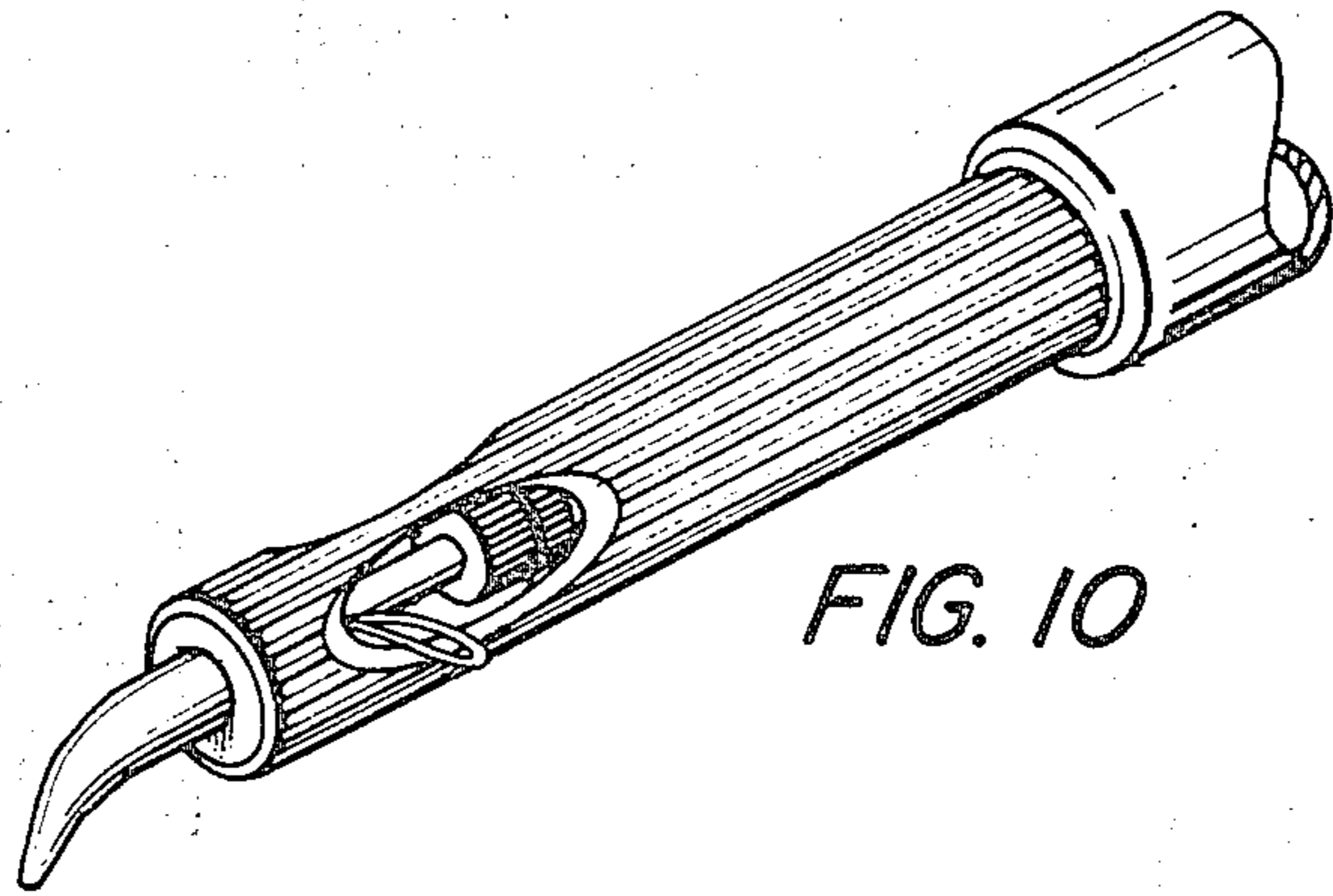


FIG. 10