

[54] DIGITAL SPHYGMOMANOMETER

[75] Inventor: John T. Houlihan, Watertown, Conn.

[73] Assignee: Timex Medical Products Corporation, Waterbury, Conn.

[**] Term: 14 Years

[21] Appl. No.: 433,947

[22] Filed: Oct. 12, 1982

[52] U.S. Cl. D24/17

[58] Field of Search 128/677-690; 73/748, 749; 206/569, 570, 305, 306, 222; D24/17

[56] References Cited

U.S. PATENT DOCUMENTS

D. 248,490 7/1978 Manno D24/17

4,108,310 8/1978 Aldridge et al. 128/677 X
4,397,317 8/1983 Villa-Real 128/680

Primary Examiner—Catherine E. Kemper
Attorney, Agent, or Firm—William C. Crutcher

[57] CLAIM

The ornamental design for a digital sphygmomanometer, as shown.

DESCRIPTION

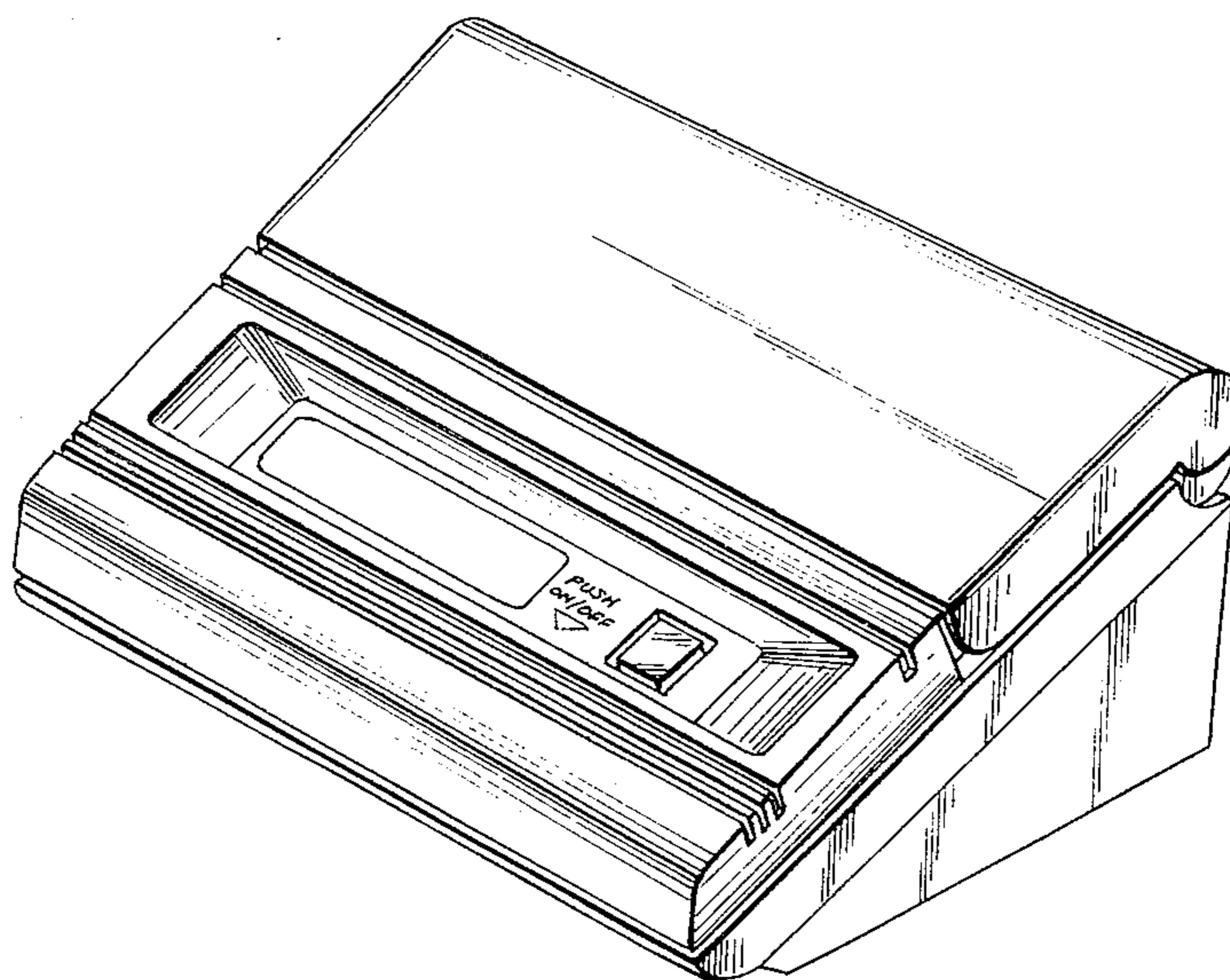
FIG. 1 is a perspective view of a digital sphygmomanometer, showing my new design, shown with the lid closed,

FIG. 2 is a left side elevation view thereof,

FIG. 3 is a rear view elevation thereof,

FIG. 4 is a bottom plan view thereof, and

FIG. 5 is a perspective view thereof shown with the lid opened.



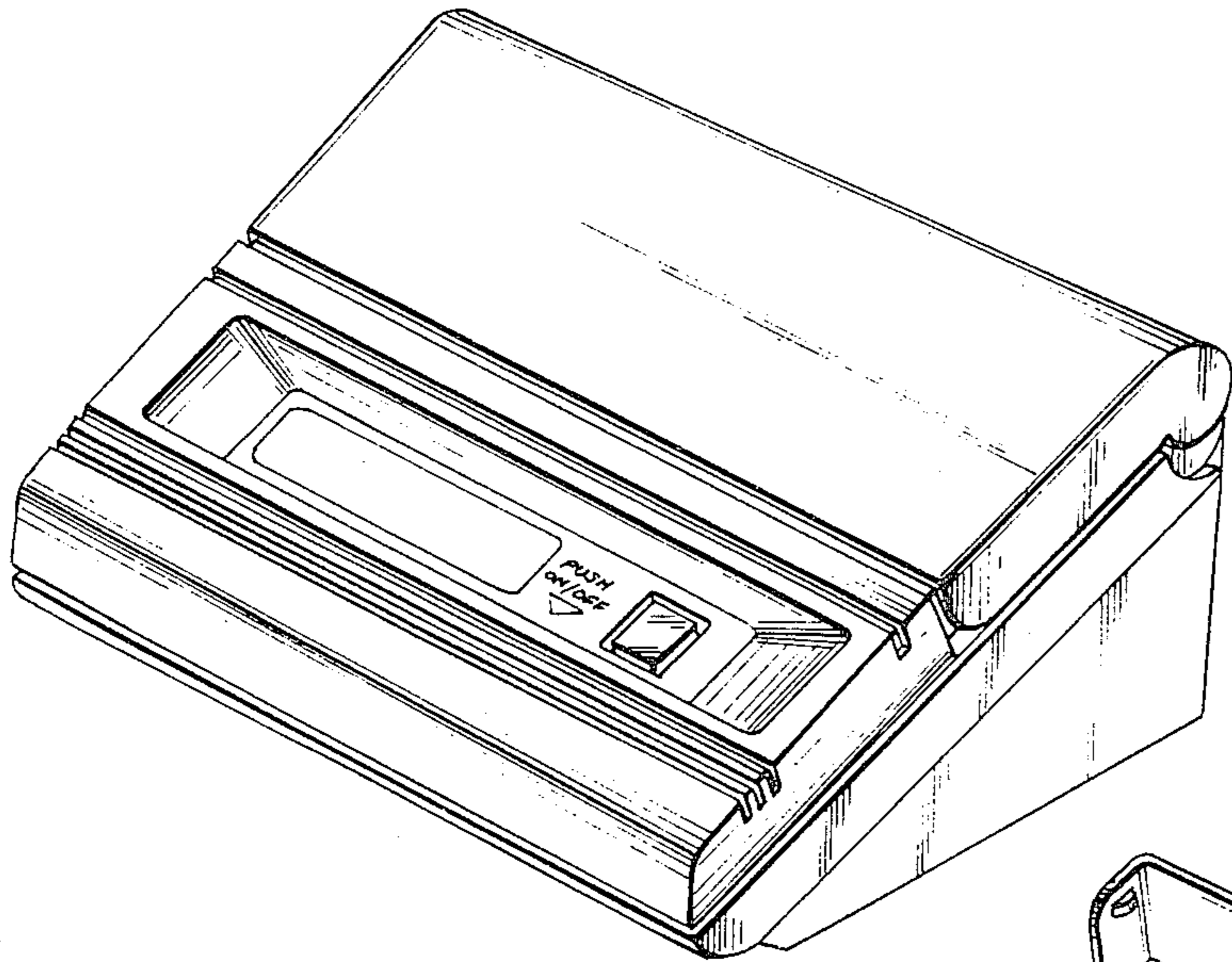


FIG. 1

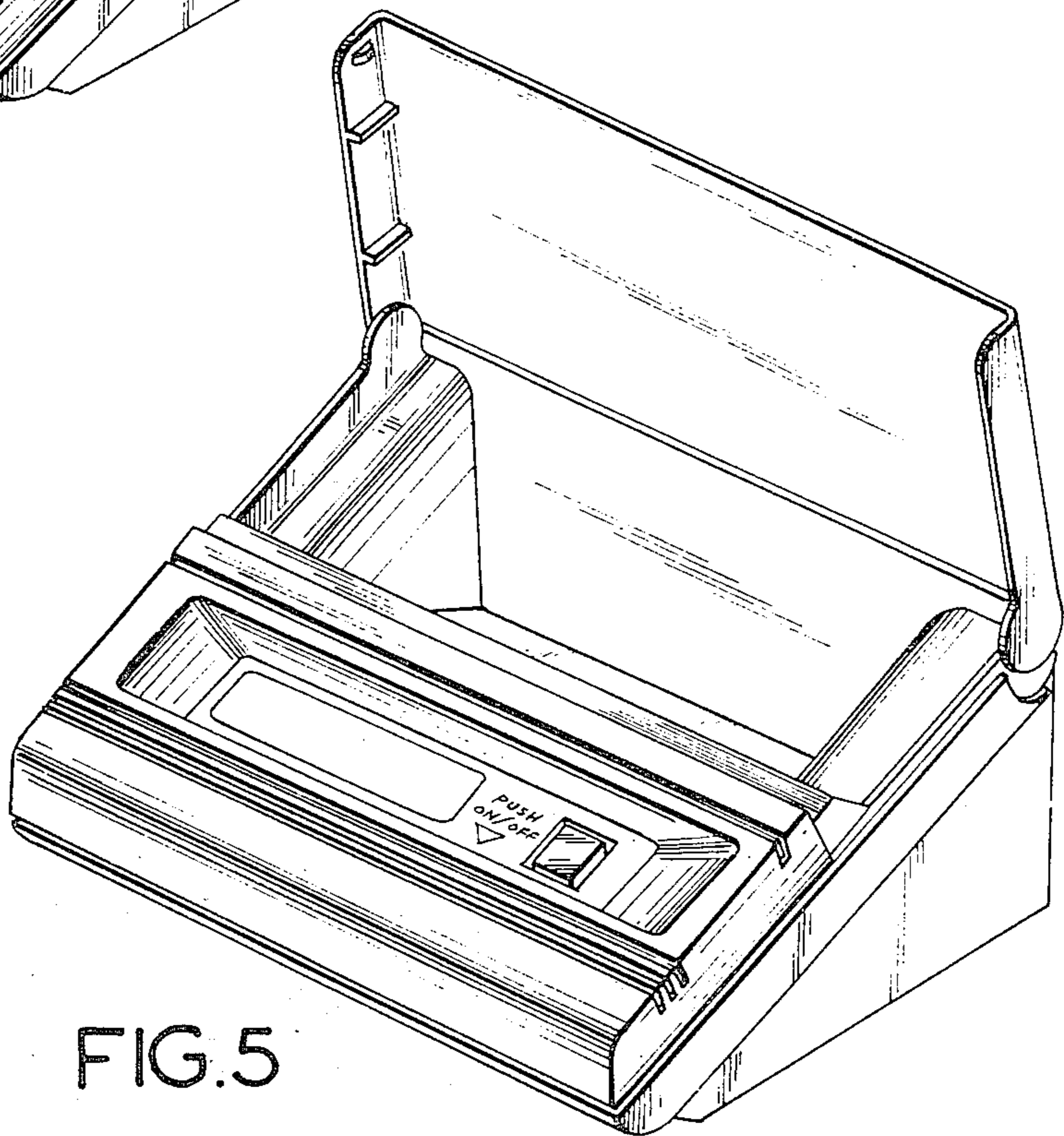


FIG. 5

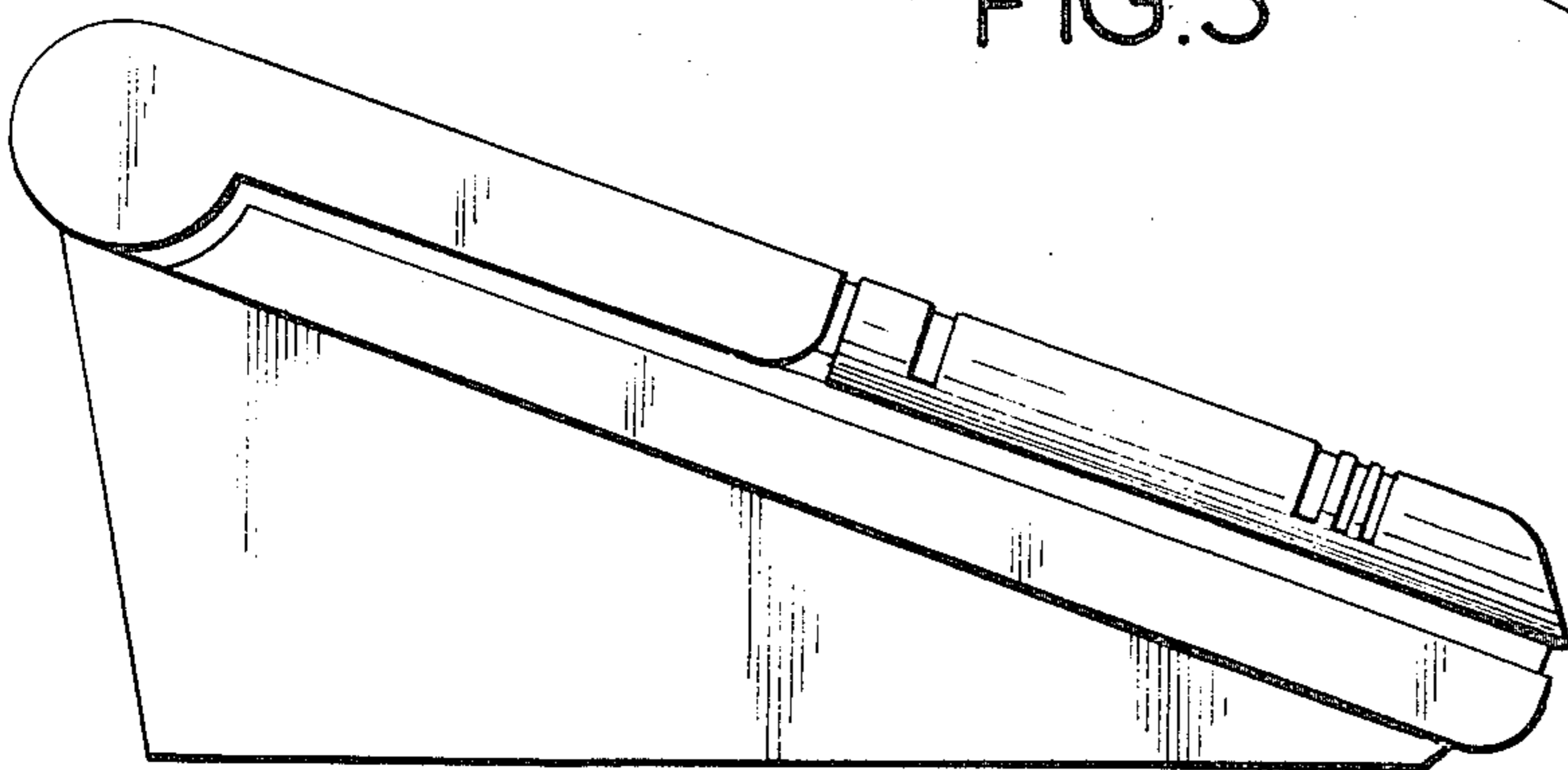


FIG. 2

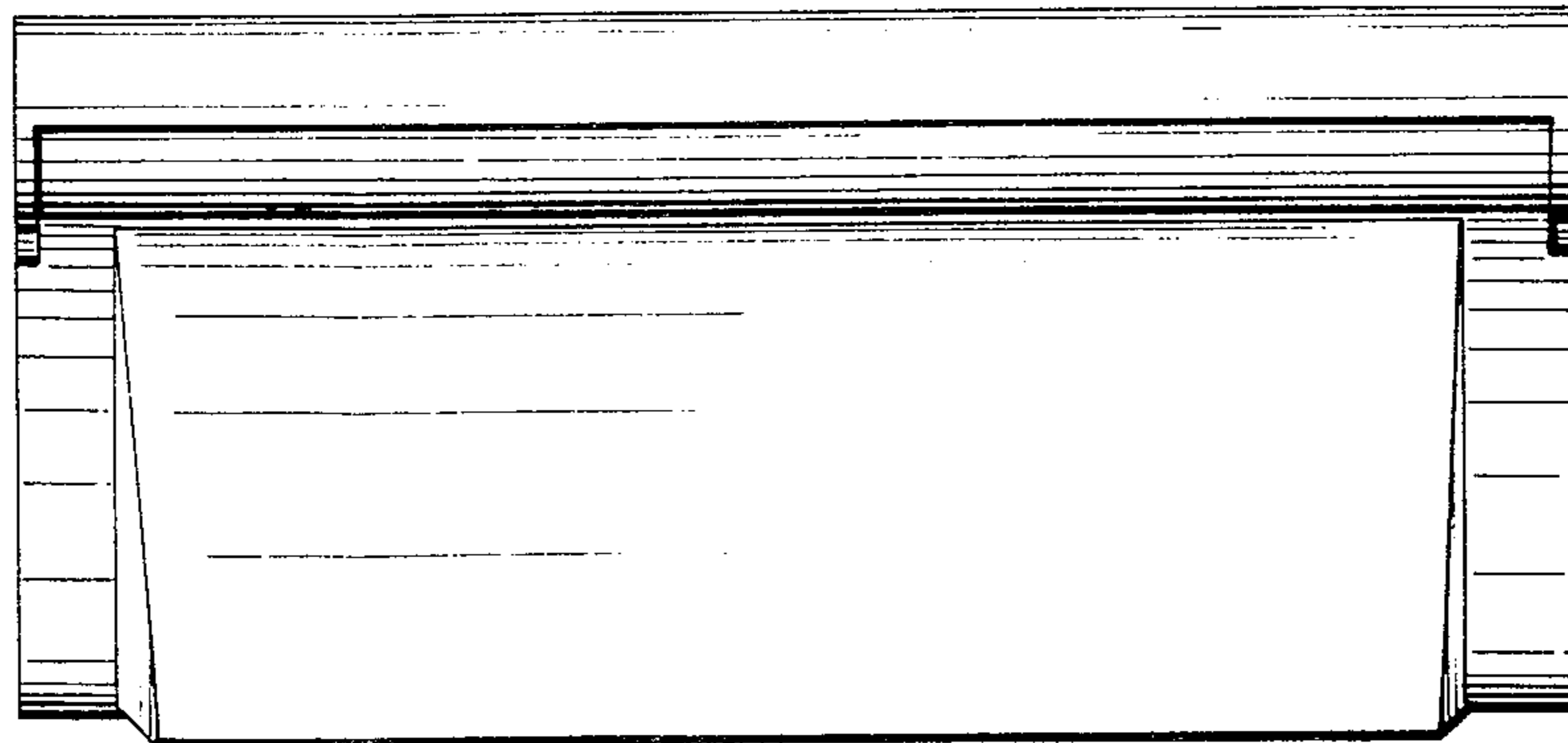


FIG. 3

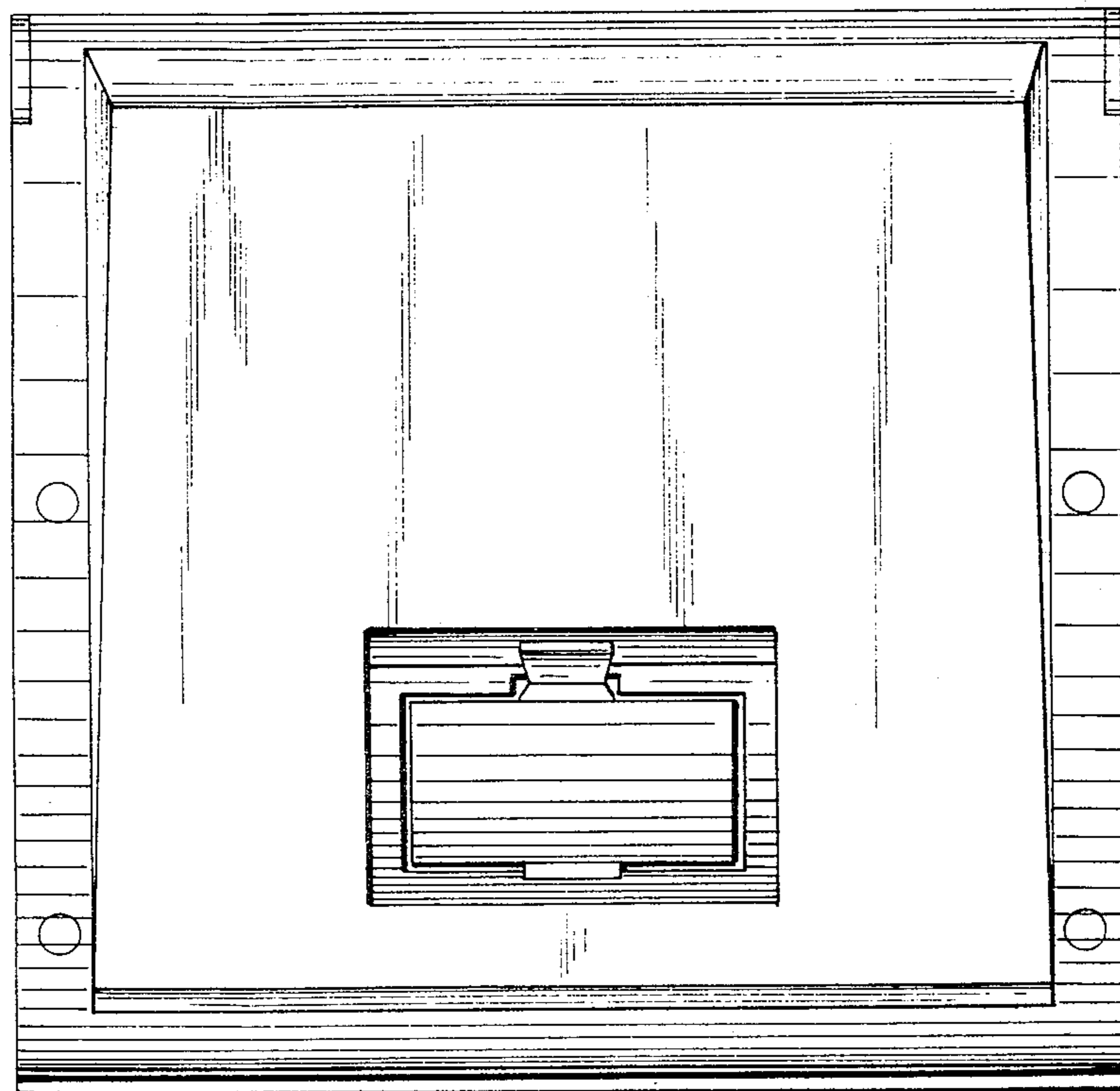


FIG. 4