

[54] SMALL ANIMAL HOLDER FOR USE WITH APPARATUS MEASURING BLOOD PRESSURE OF SMALL ANIMAL

[75] Inventors: Yoshimoto Hayashi; Atsuhiko Harima; Tsune Tajima, all of Kawasaki, Japan

[73] Assignee: Hayashi Denki Co., Ltd., Kawasaki, Japan

[**] Term: 14 Years

[21] Appl. No.: 366,572

[22] Filed: Apr. 8, 1982

[30] Foreign Application Priority Data

Oct. 21, 1981 [JP] Japan 56-46752
[52] U.S. Cl. D24/8; D24/21
[58] Field of Search D24/8, 17, 21; 119/15, 119/17, 20, 96, 103

[56] References Cited
U.S. PATENT DOCUMENTS

D. 254,569 3/1980 Moffat et al. D24/17
3,625,185 12/1971 Kester 119/103
3,739,751 6/1973 Mohr et al. 119/103
4,366,774 1/1983 Haake et al. 119/17

Primary Examiner—A. Hugo Word
Assistant Examiner—Ruth C. Anderson
Attorney, Agent, or Firm—Murray Schaffer

[57] CLAIM

The ornamental design for a small animal holder for use with apparatus measuring blood pressure of small animal, as shown and described.

DESCRIPTION

FIG. 1 is a perspective view showing a small animal holder for use with an apparatus measuring the blood pressure of a small animal showing my new design; FIG. 2 is a side elevational view thereof; FIG. 3 is a top plan view thereof; FIG. 4 is a left end view thereof; FIG. 5 is a right end view thereof; and FIG. 6 is a bottom plan view thereof.

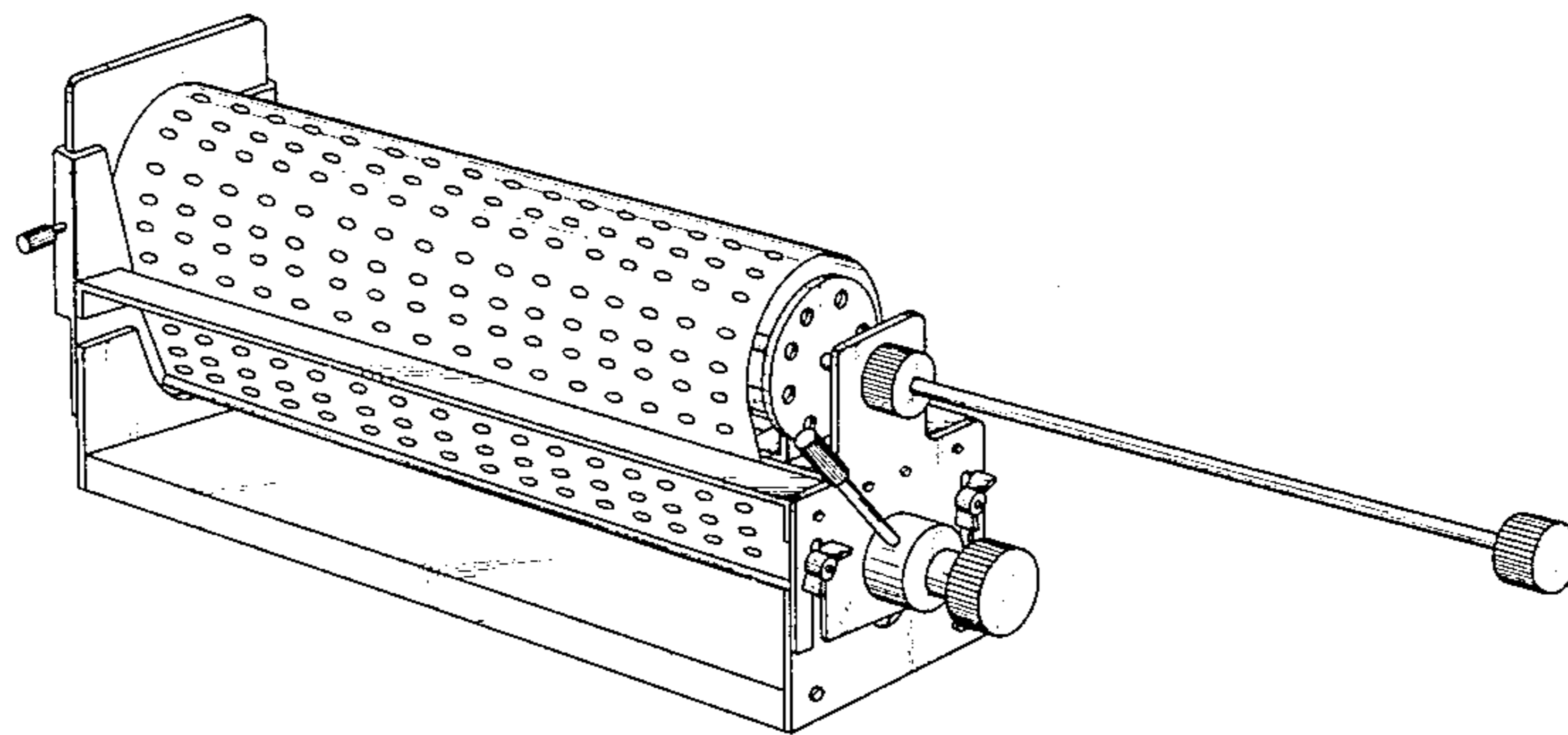


FIG. 1

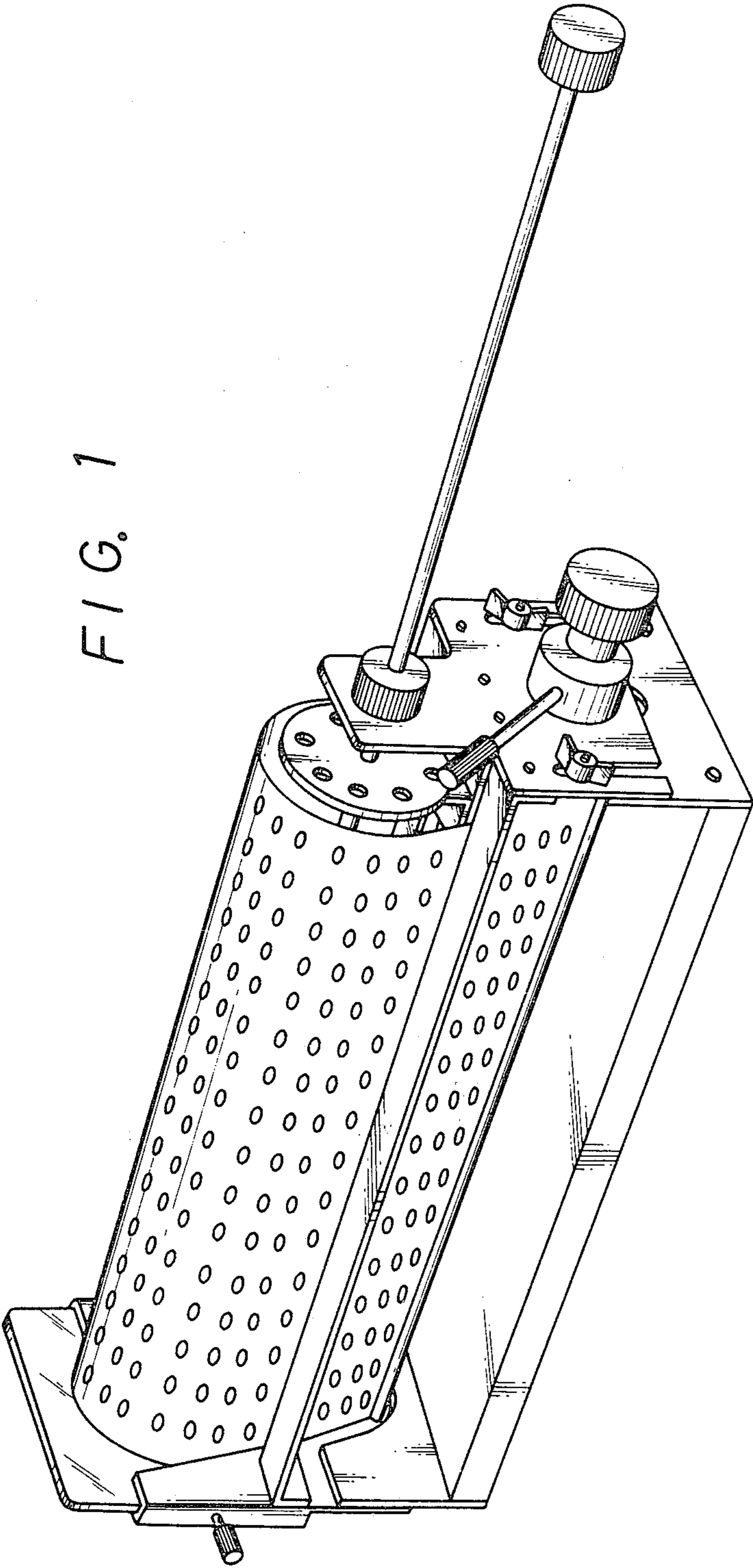


FIG. 2

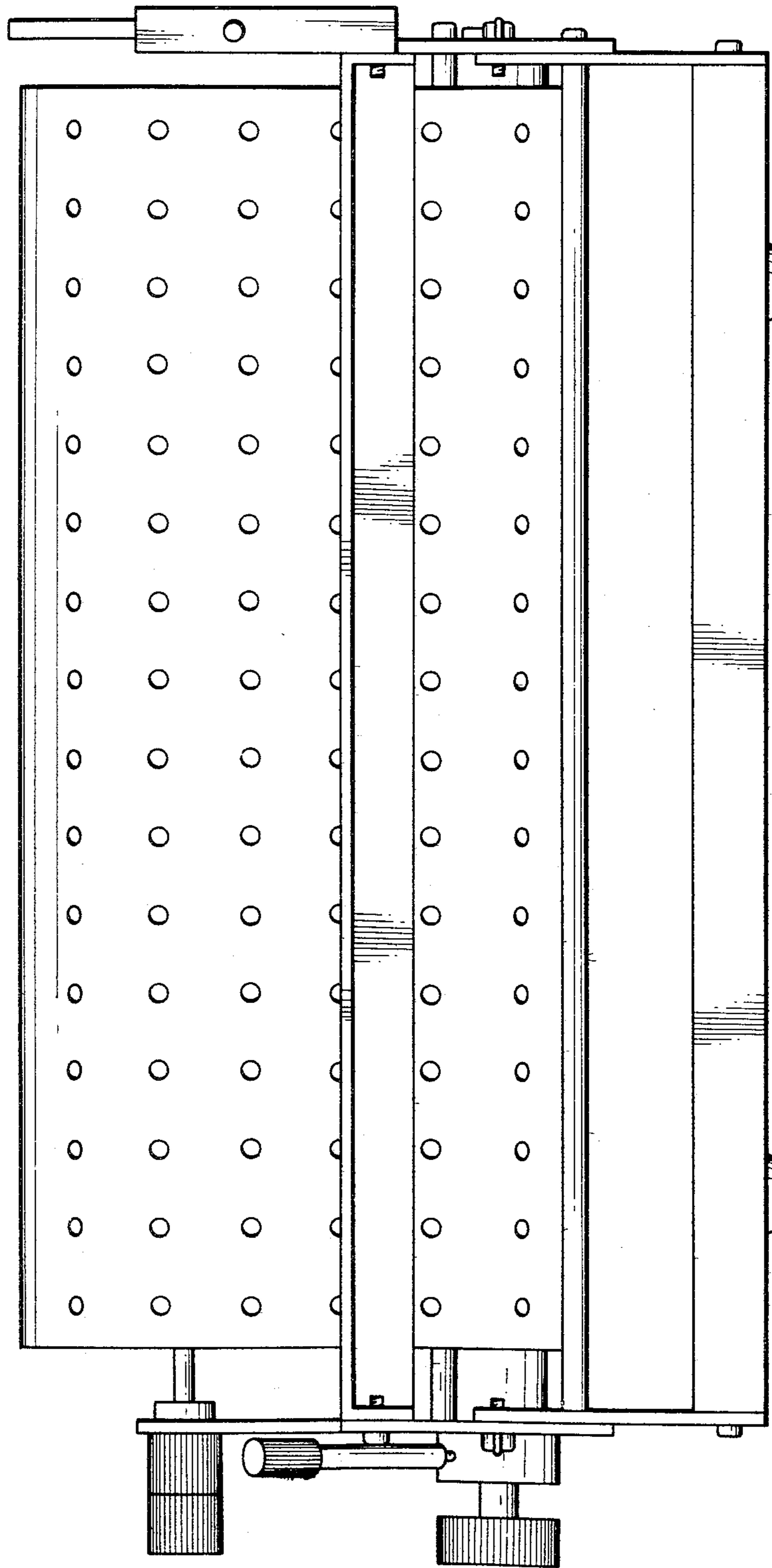


FIG. 3

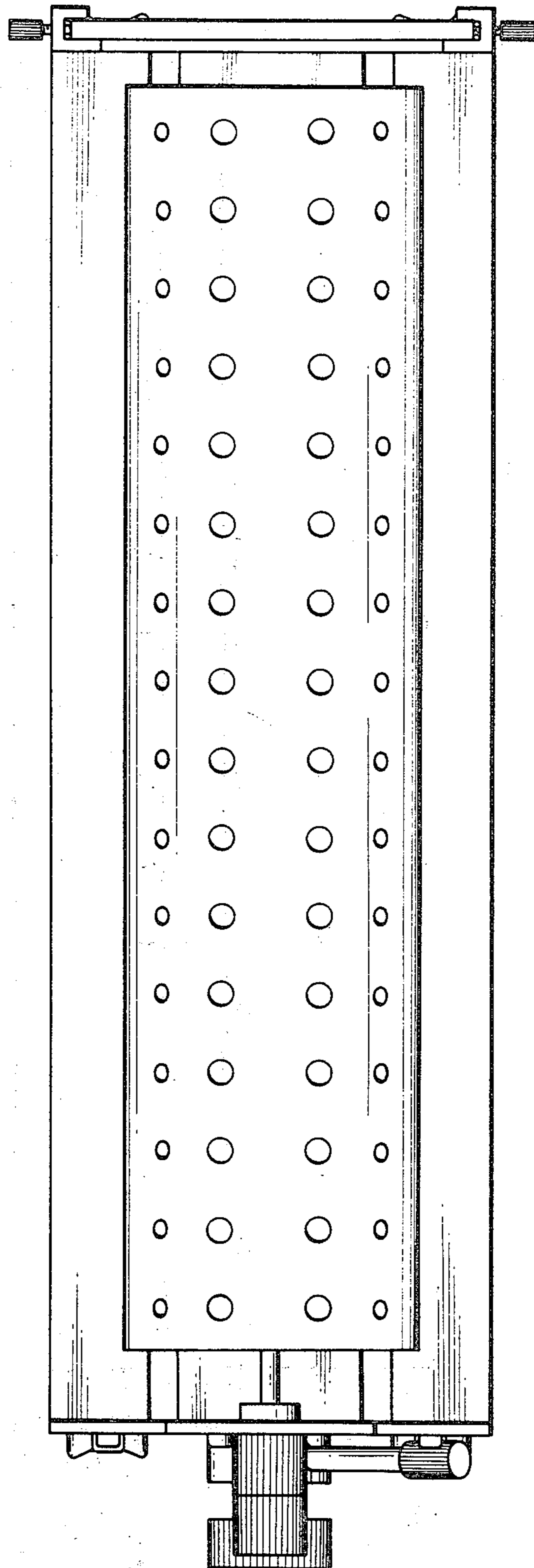


FIG. 5

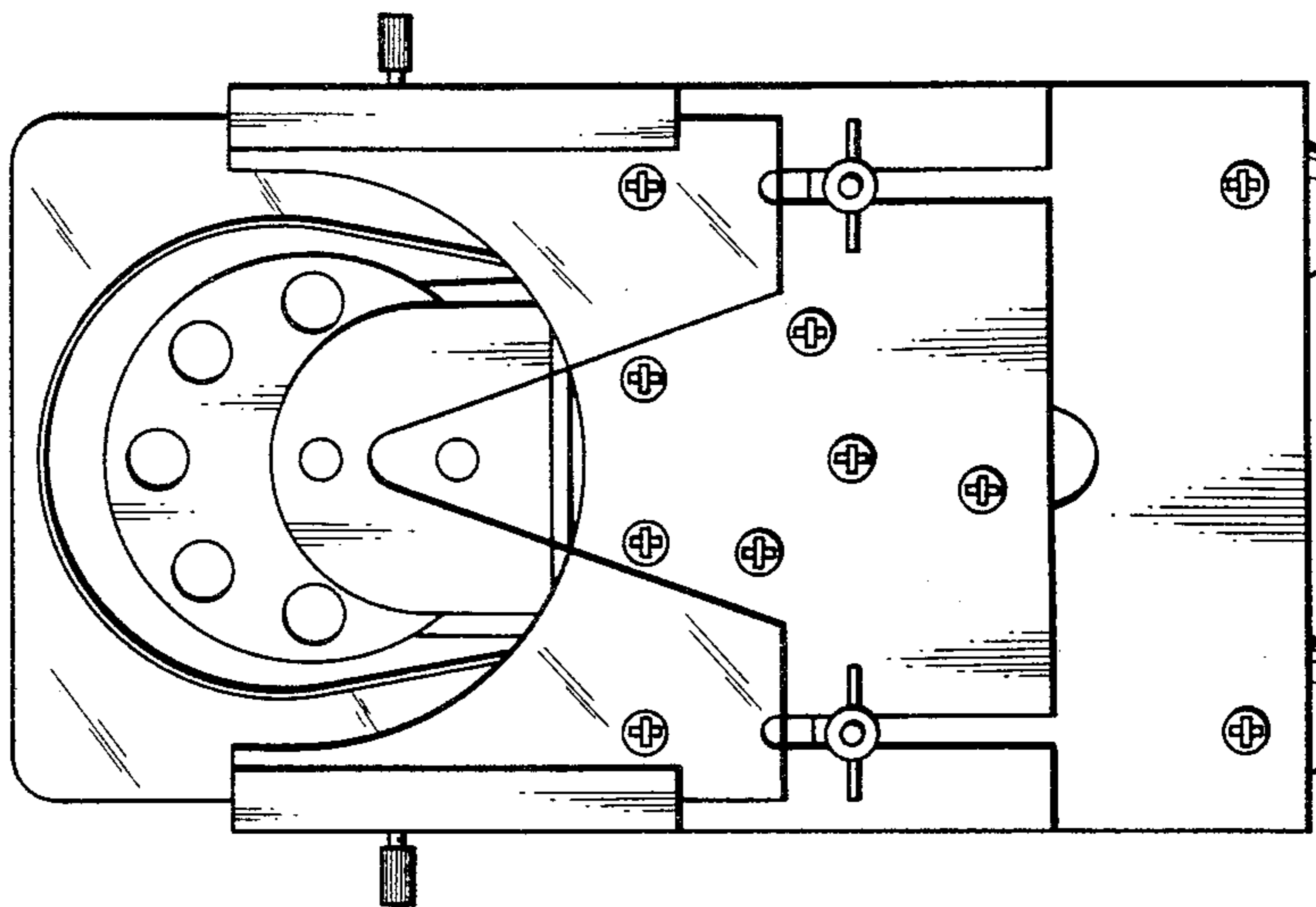


FIG. 4

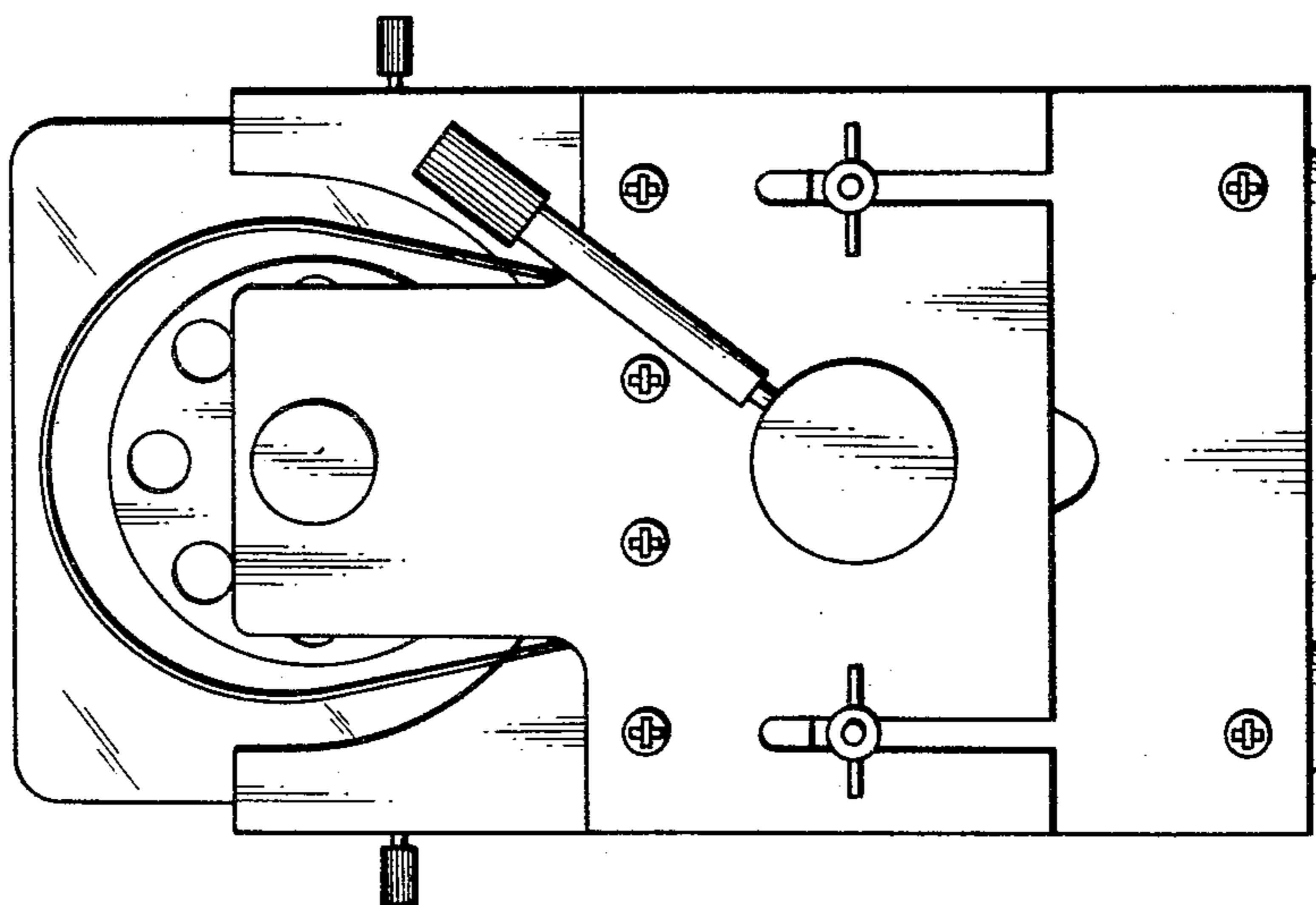


FIG. 6

