

[54] HOUSING FOR A CLOTHES DRYER VENT

4,156,973 6/1979 Bede 137/875
4,227,315 10/1980 Hight 34/133
4,338,731 7/1982 Shames et al. 34/82

[76] Inventors: Sidney J. Shames, 57 Holly Pl.,
Briarcliff Manor, N.Y. 10510; Harold
Shames, 5 Agnes Cir., Ardsley, N.Y.
10502

[**] Term: 14 Years

[21] Appl. No.: 184,732

[22] Filed: Sep. 5, 1980

[52] U.S. Cl. D23/151; D32/8

[58] Field of Search D23/139, 140, 151;
D32/8; 34/82, 86, 35, 133, 235; 165/DIG. 2

[56] References Cited

U.S. PATENT DOCUMENTS

3,999,304 12/1976 Doty 34/82
4,011,662 3/1977 Davis et al. 34/82
4,120,285 10/1978 Nugent 126/443
4,122,612 10/1978 Mrofchak 34/235
4,137,647 2/1979 Clark, Jr. 34/82

OTHER PUBLICATIONS

Home Energy Digest & Wood Burning Quarterly, Win-
ter 1978-p. 31-In-O-Vent Venting System.

Primary Examiner—Catherine E. Kemper

[57] CLAIM

The ornamental design for a housing for a clothes dryer
vent, as shown.

DESCRIPTION

FIG. 1 is a perspective view of a housing for a clothes
dryer vent, showing our new design;
FIG. 2 is a front elevational view thereof;
FIG. 3 is a top plan view thereof;
FIG. 4 is a bottom plan view thereof;
FIG. 5 is a right side elevational view thereof;
FIG. 6 is a left side elevational view thereof;
FIG. 7 is a rear elevational view thereof.

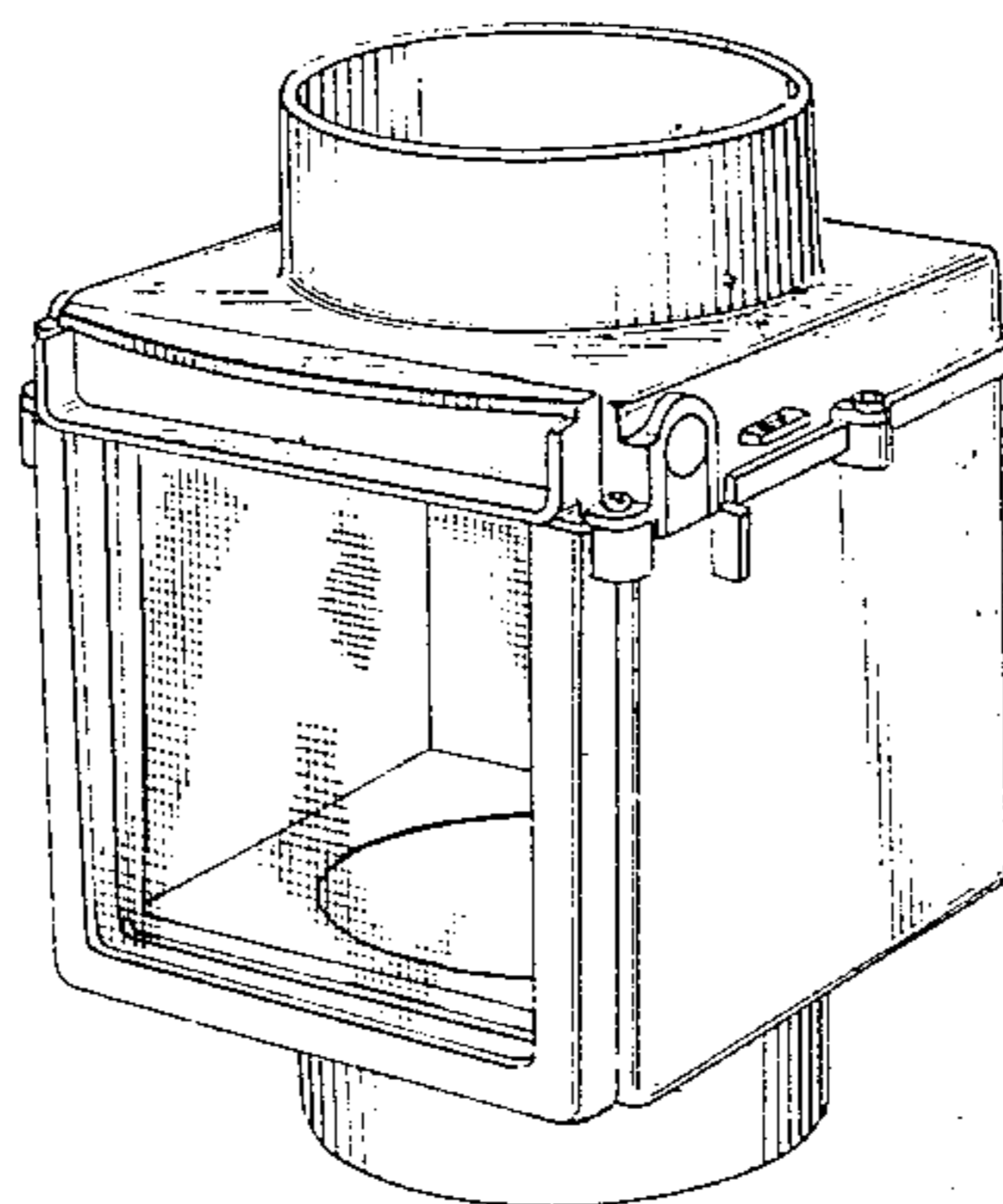


FIG. 2

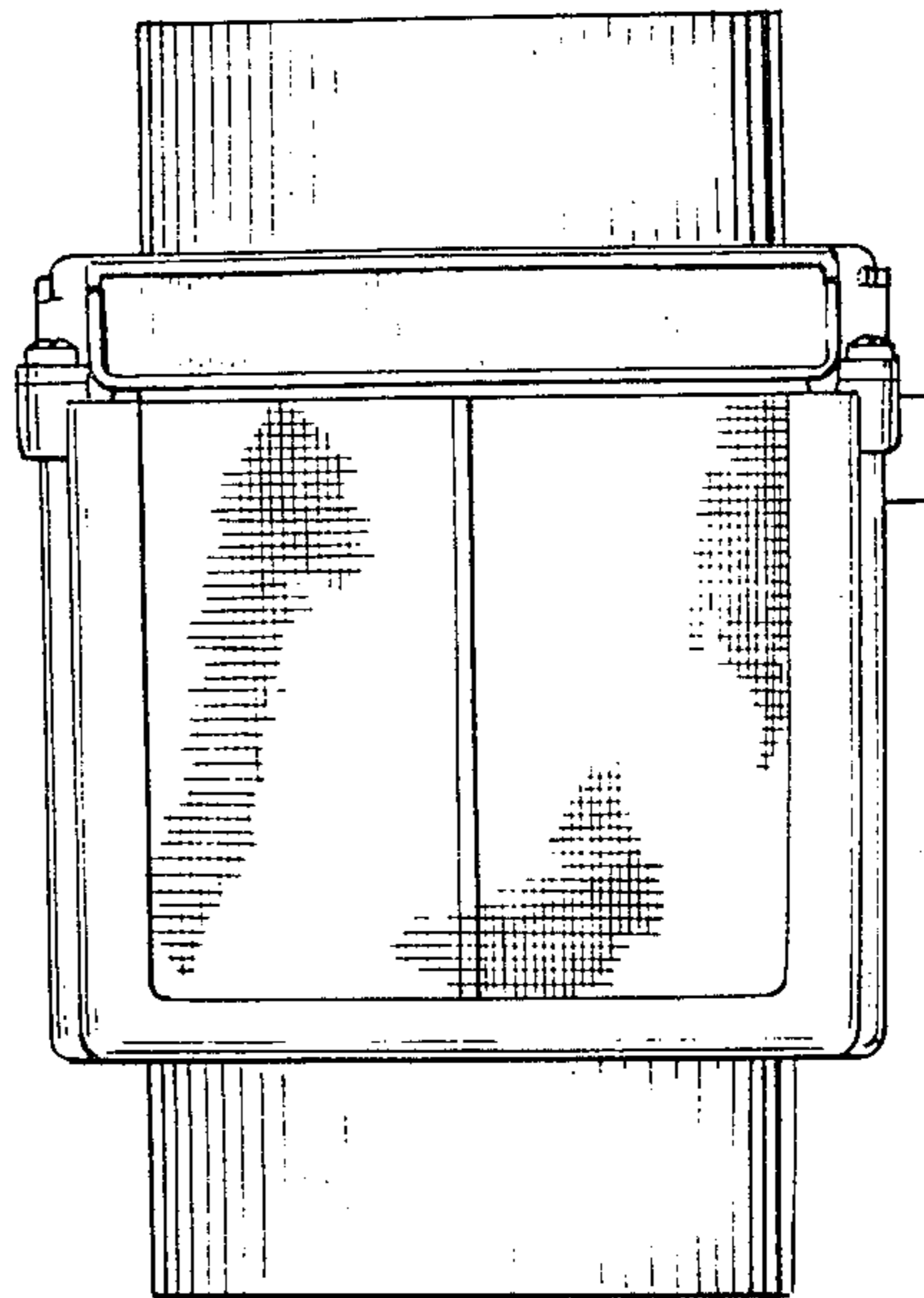


FIG. 1

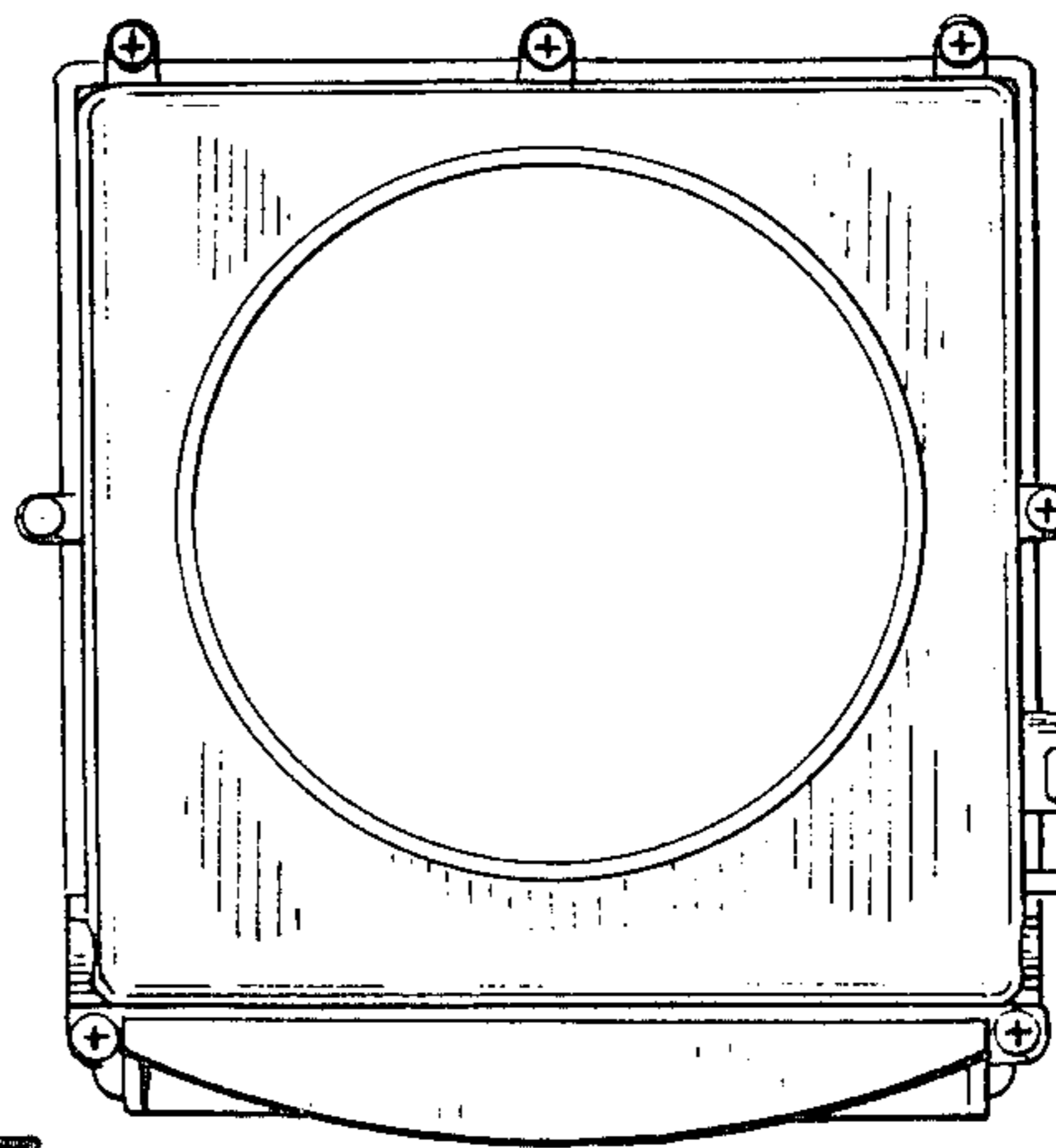
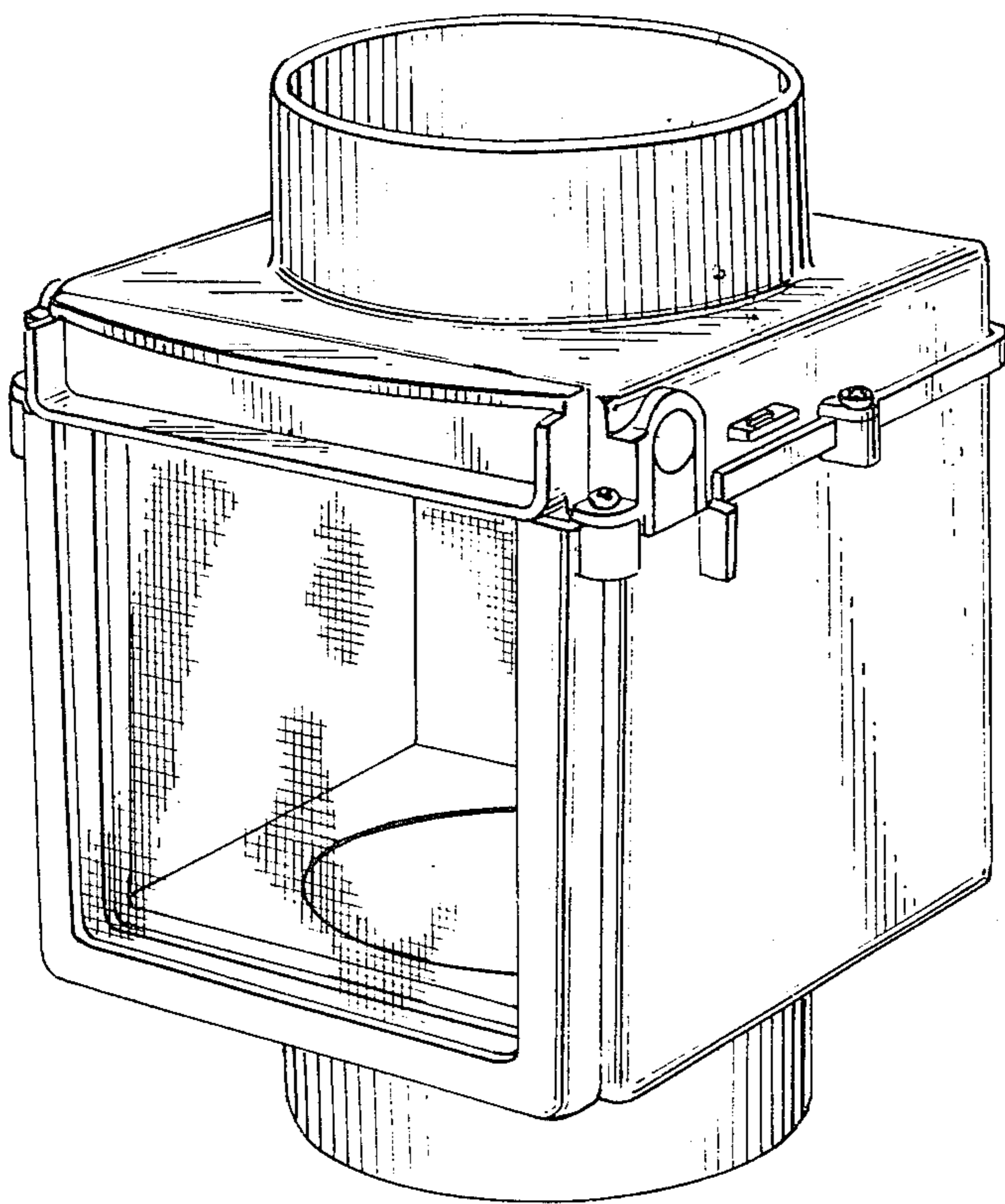


FIG. 3

FIG. 4

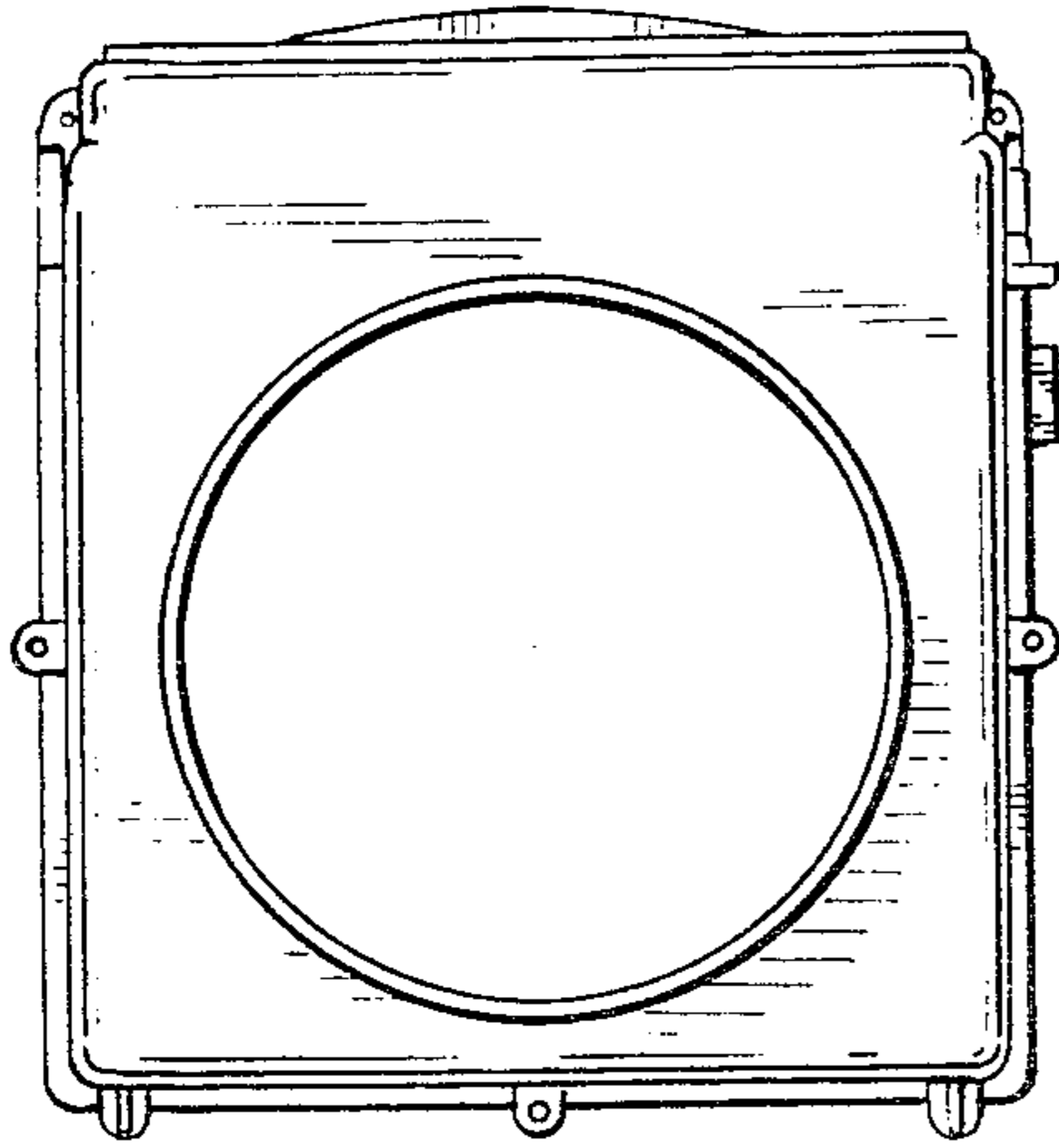


FIG. 7

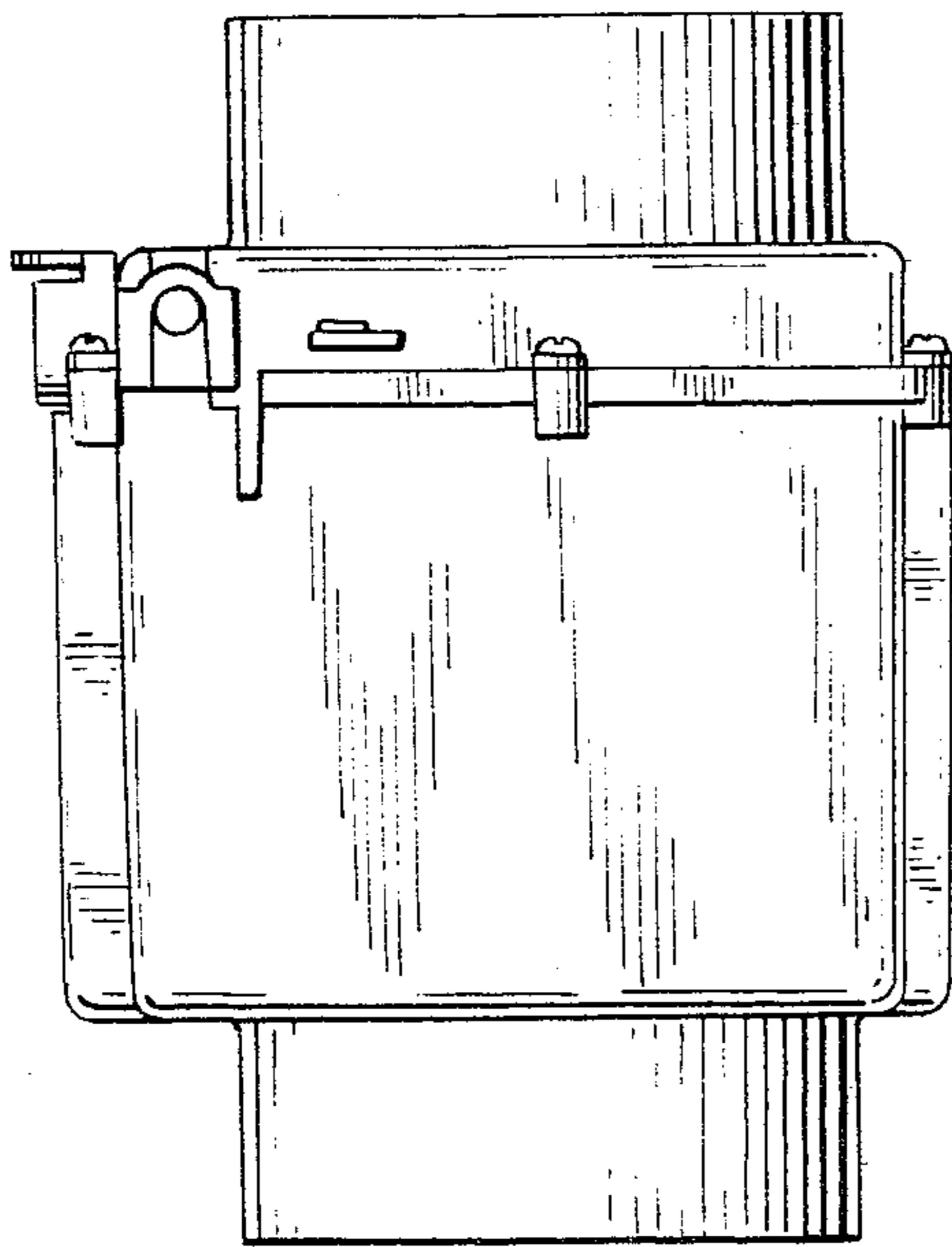
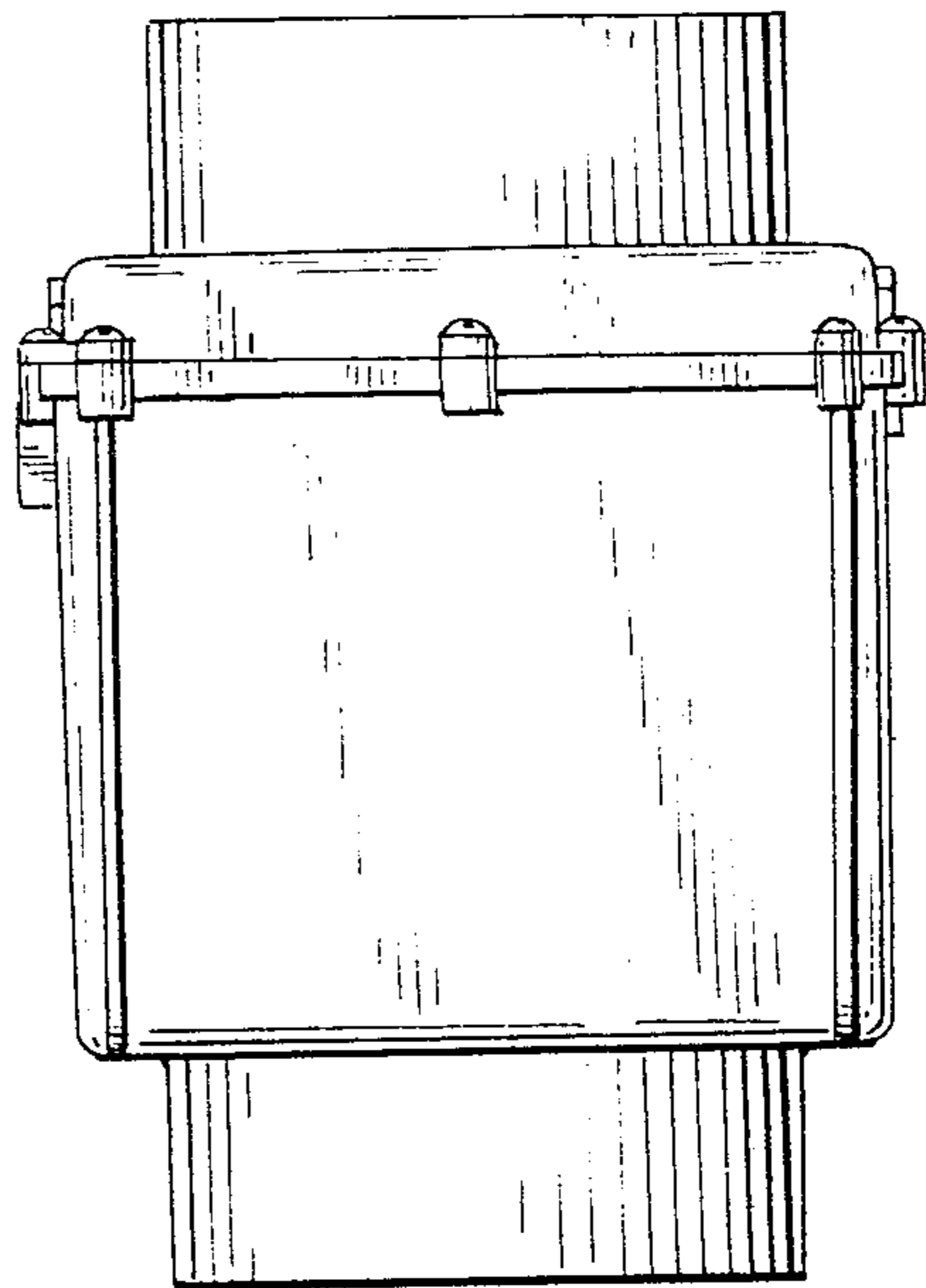


FIG. 6

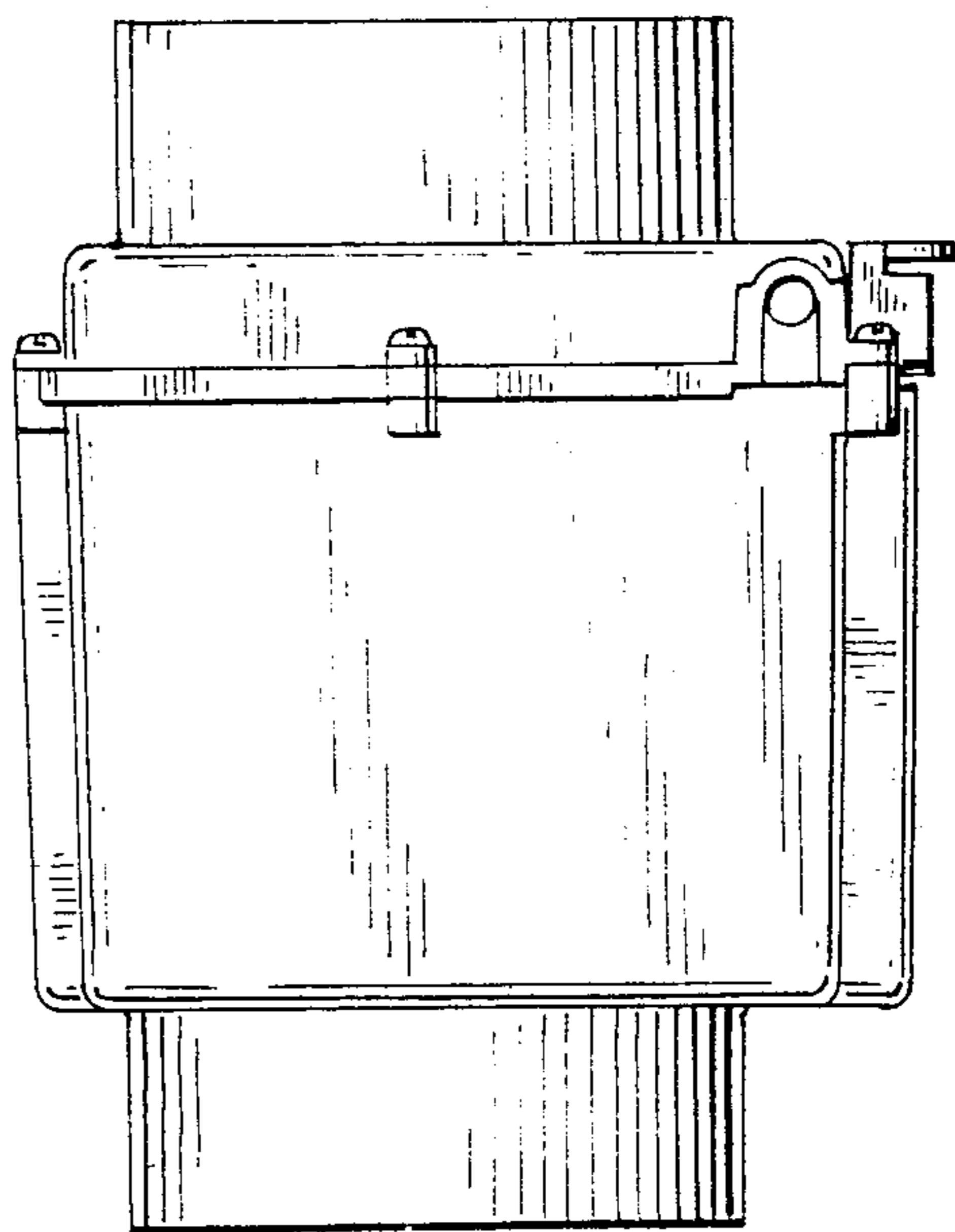


FIG. 5