

[54] **THIN FLAT SIDED HAND HELD WEAPON**

[76] **Inventor: Jody L. Numbers, 7908 E. Oak,
Scottsdale, Ariz. 85257**

[**] **Term: 14 Years**

[21] **Appl. No.: 406,396**

[22] **Filed: Aug. 9, 1982**

[52] **U.S. Cl. D22/1**

[58] **Field of Search 42/1 G; D22/1, 6**

[56] **References Cited**

U.S. PATENT DOCUMENTS

D. 234,458 3/1975 Lichtman D22/1
1,637,079 7/1927 Karner, Jr. 42/1 G

Primary Examiner—A. Hugo Word
Attorney, Agent, or Firm—Warren F. B. Lindsley

[57] **CLAIM**

The ornamental design for a thin flat sided hand held weapon, as shown and described.

DESCRIPTION

FIG. 1 is a perspective view showing the front, top and one side of a thin flat sided hand held weapon embodying the invention;

FIG. 2 is a top view of FIG. 1;

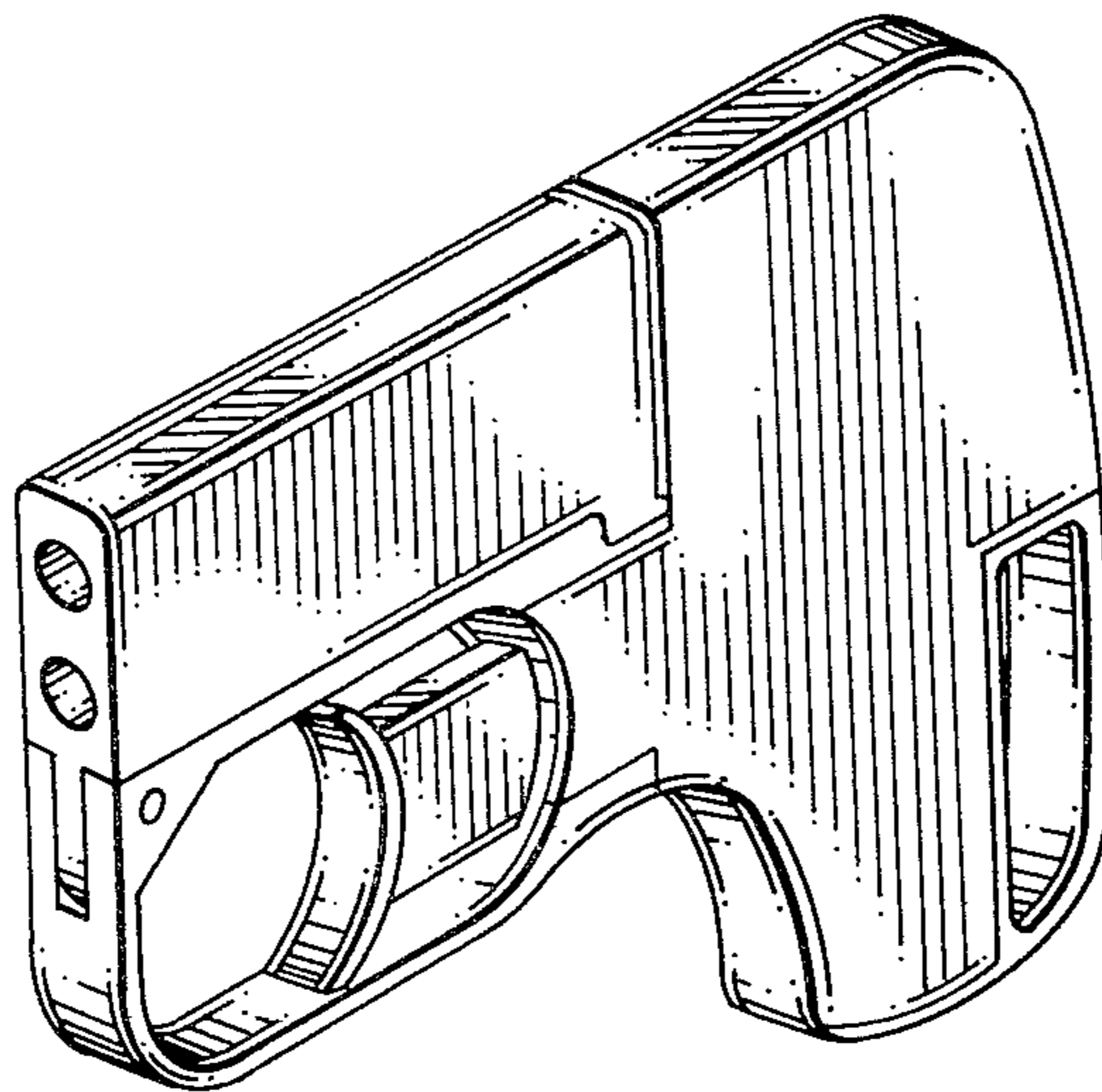
FIG. 3 is a bottom view of FIG. 1;

FIG. 4 is one side view of FIG. 1;

FIG. 5 is the other side view of FIG. 1;

FIG. 6 is a front end view of FIG. 1; and

FIG. 7 is a back end view of FIG. 1.



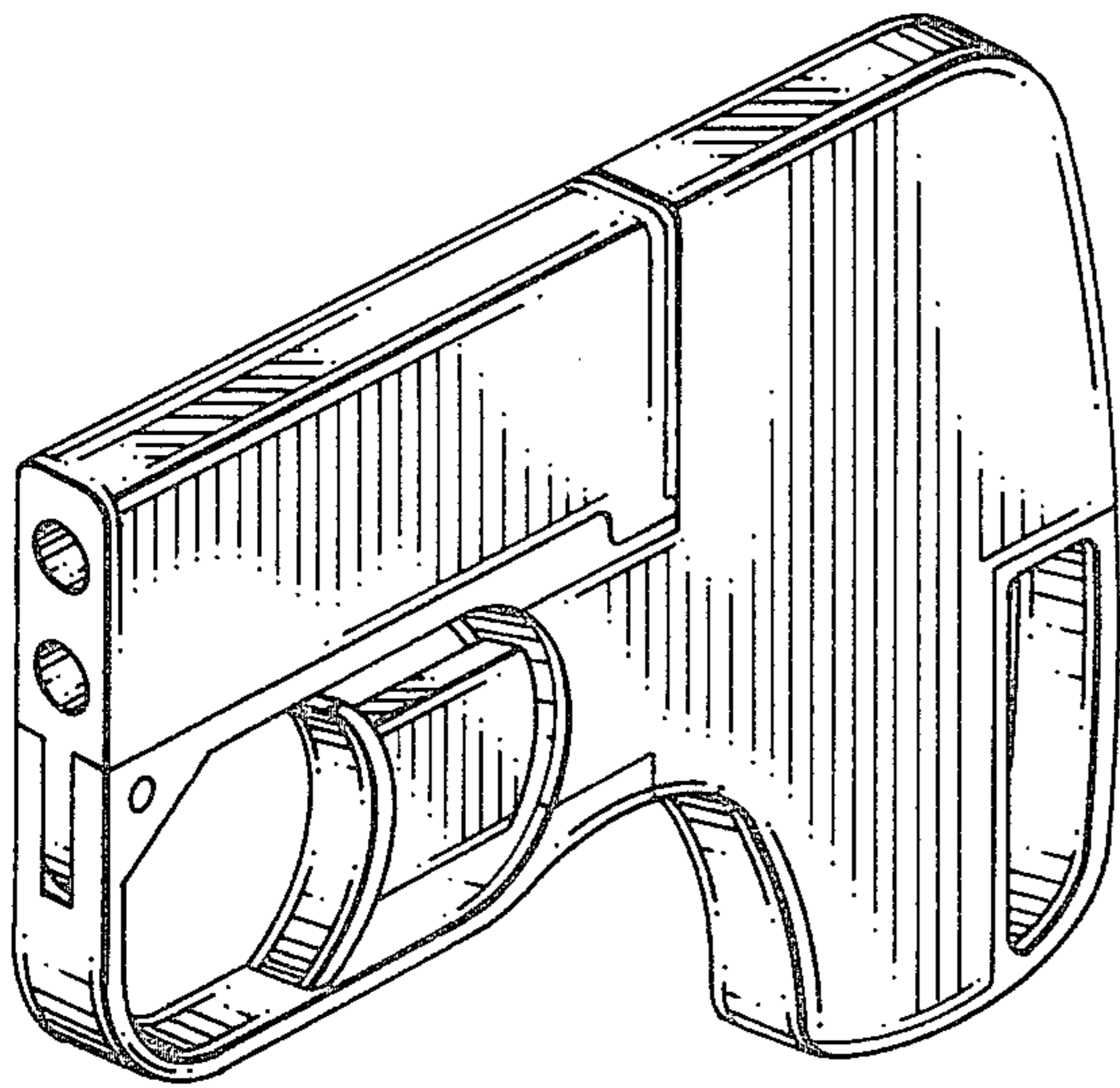


FIG. 1



FIG. 6



FIG. 2



FIG. 3

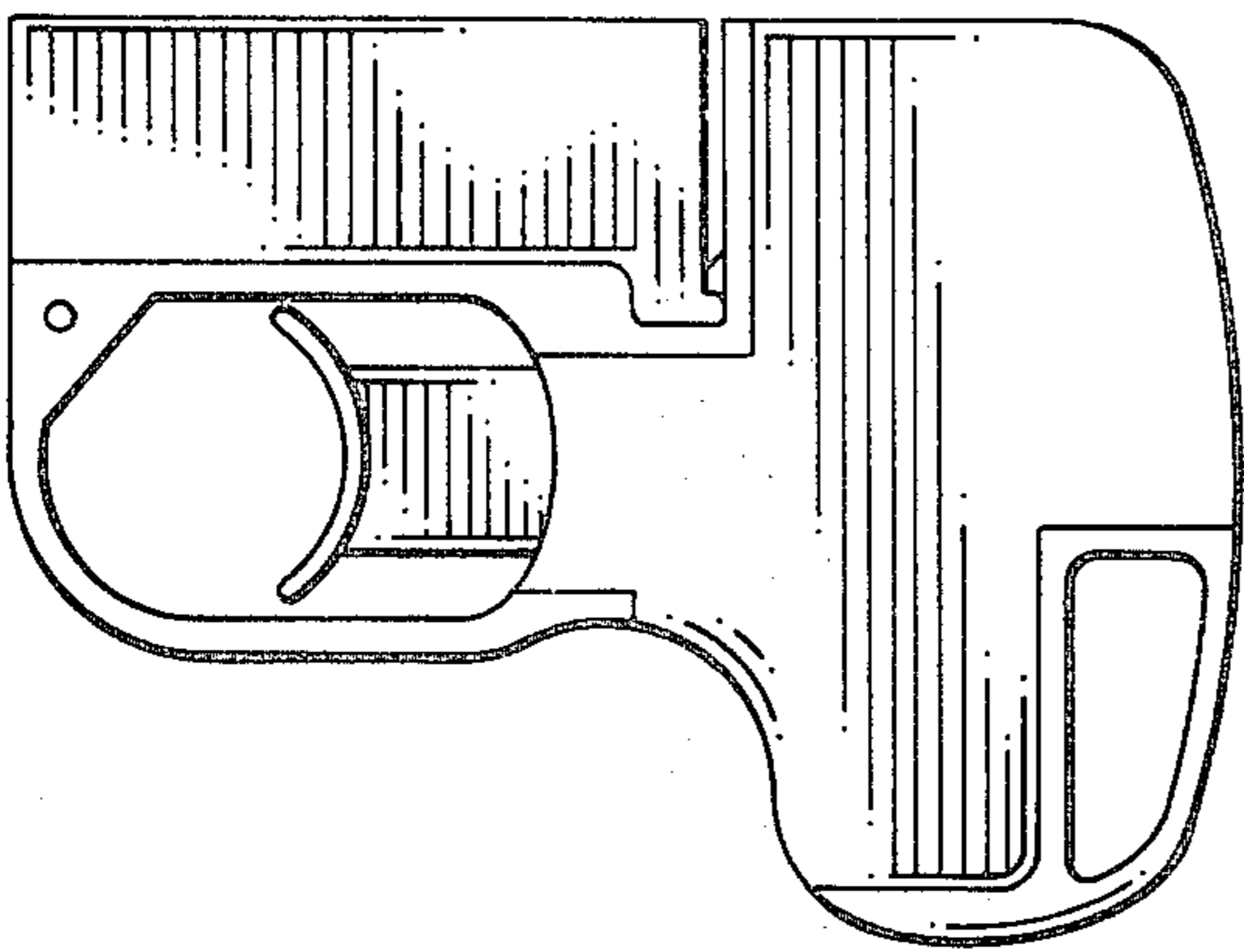


FIG. 4

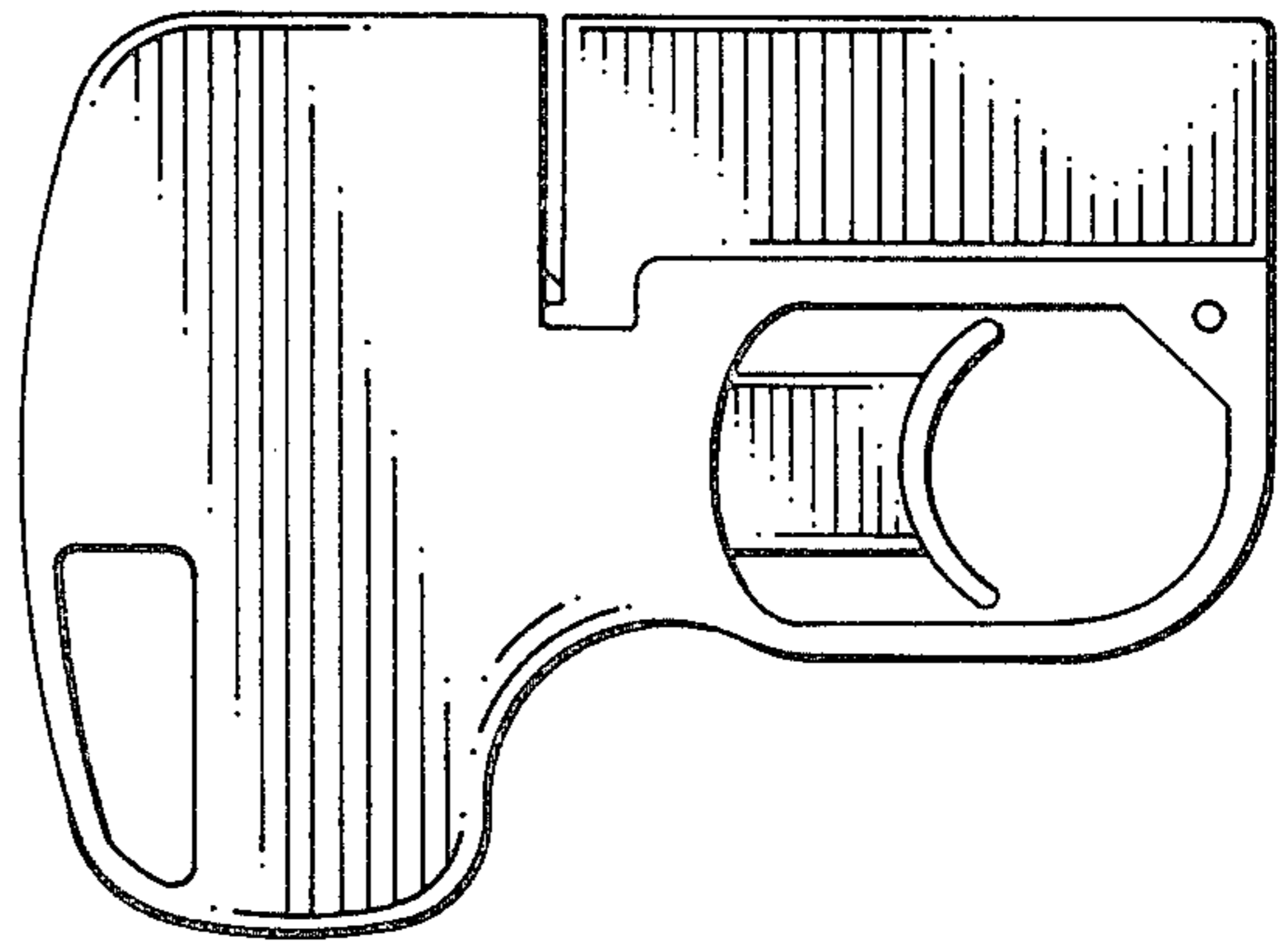


FIG. 5



FIG. 7