

[54] TOY CIRCULAR SAW

[75] Inventor: Ronald R. Klawitter, Hermann, Mo.

[73] Assignee: Handi-Pac, Inc., Hermann, Mo.

[\*\*] Term: 14 Years

[21] Appl. No.: 381,073

[22] Filed: May 24, 1982

[52] U.S. Cl. .... D21/120; D8/66

[58] Field of Search ..... D21/109, 121, 120;  
D8/66; 46/1 C, 1 R, 39, 177

[56] References Cited

U.S. PATENT DOCUMENTS

- D. 168,467 12/1952 Majewski ..... D8/66
- D. 225,299 12/1972 Boldt ..... D8/66
- D. 258,161 2/1981 Klawitter ..... D21/120

- D. 267,026 11/1982 Wildman ..... D21/120
- 4,236,343 12/1980 Wildman ..... 46/39

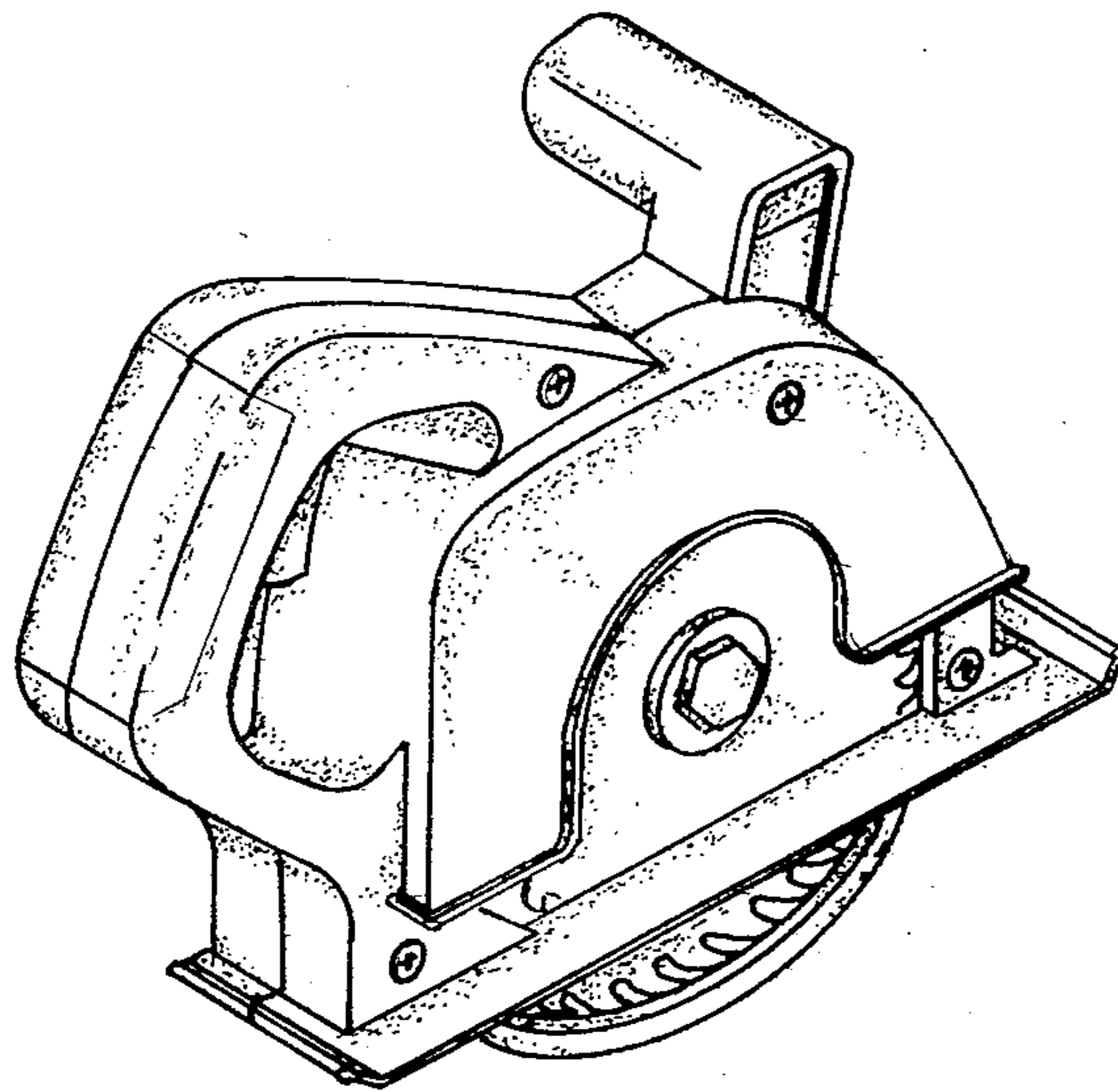
Primary Examiner—Charles A. Rademaker  
Attorney, Agent, or Firm—Polster, Polster and Lucchesi

[57] CLAIM

The ornamental design for toy circular saw, as shown and described.

DESCRIPTION

FIG. 1 is a perspective view of a toy circular saw showing my new design;  
 FIG. 2 is a side elevational view thereof;  
 FIG. 3 is an elevational view of the side opposite that shown in FIG. 2;  
 FIG. 4 is a right side elevational view thereof;  
 FIG. 5 is a top plan view thereof;  
 FIG. 6 is a left side elevational view thereof; and,  
 FIG. 7 is a bottom plan view thereof.



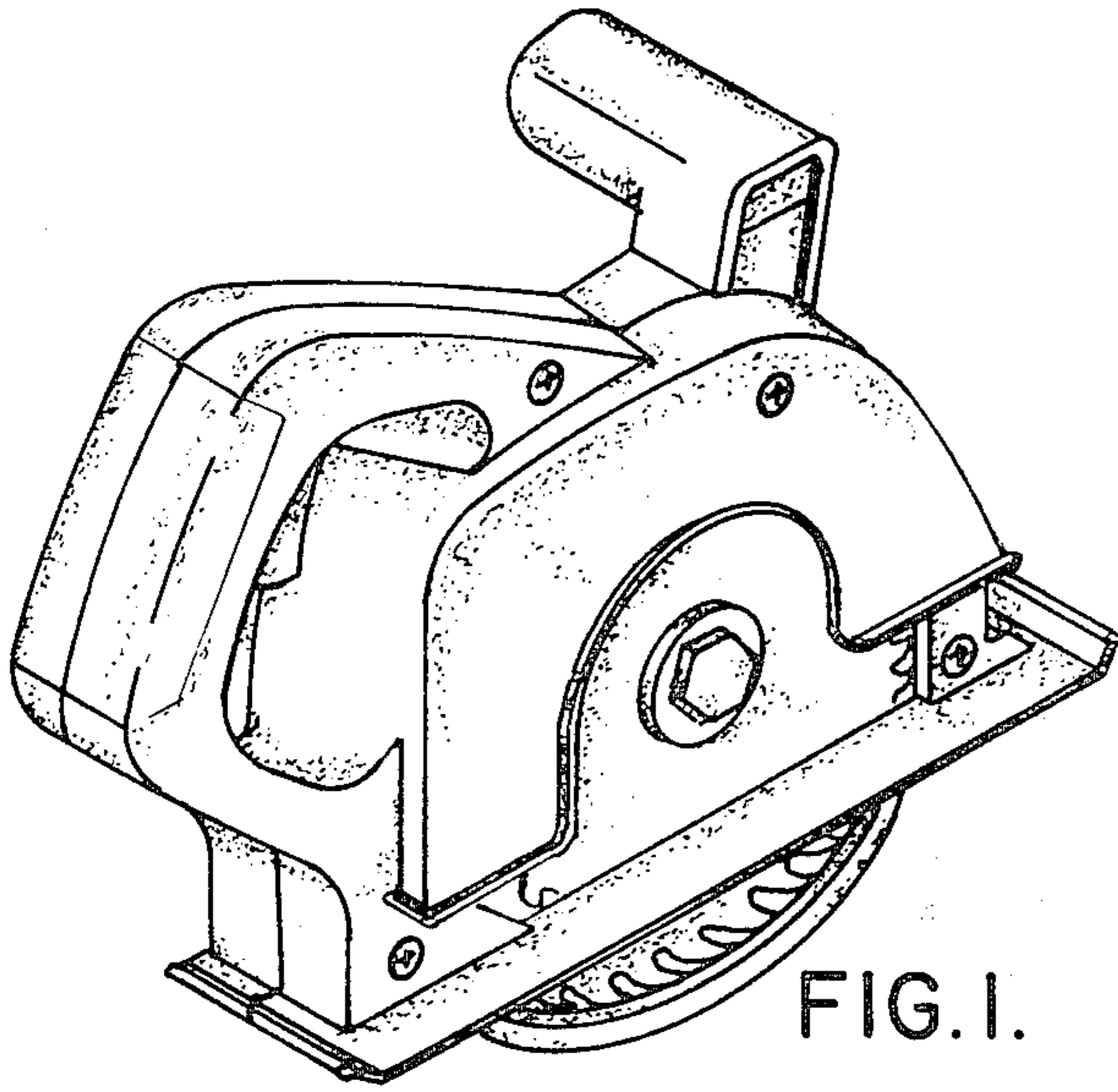


FIG. 1.

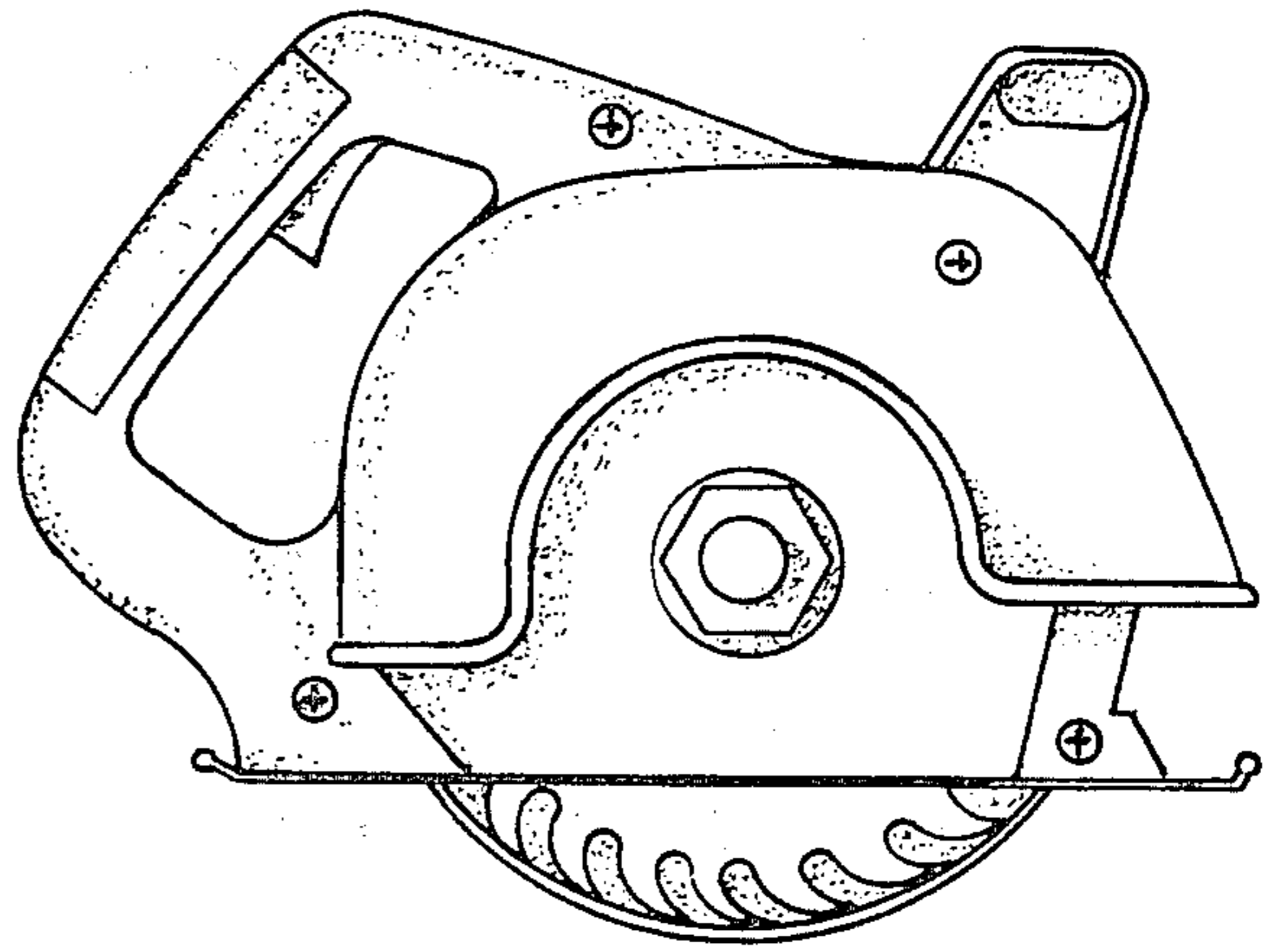


FIG. 2.

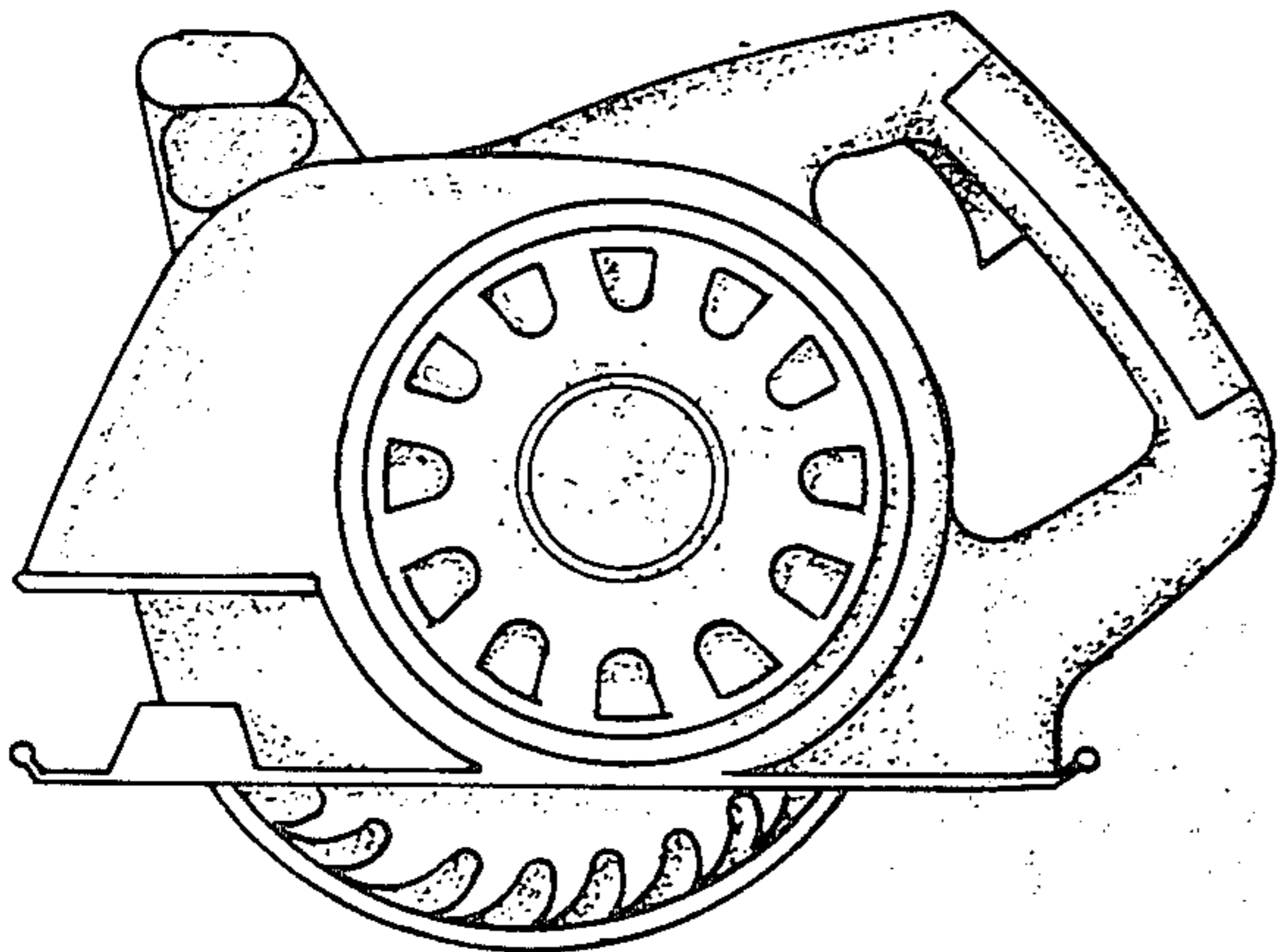


FIG. 3.

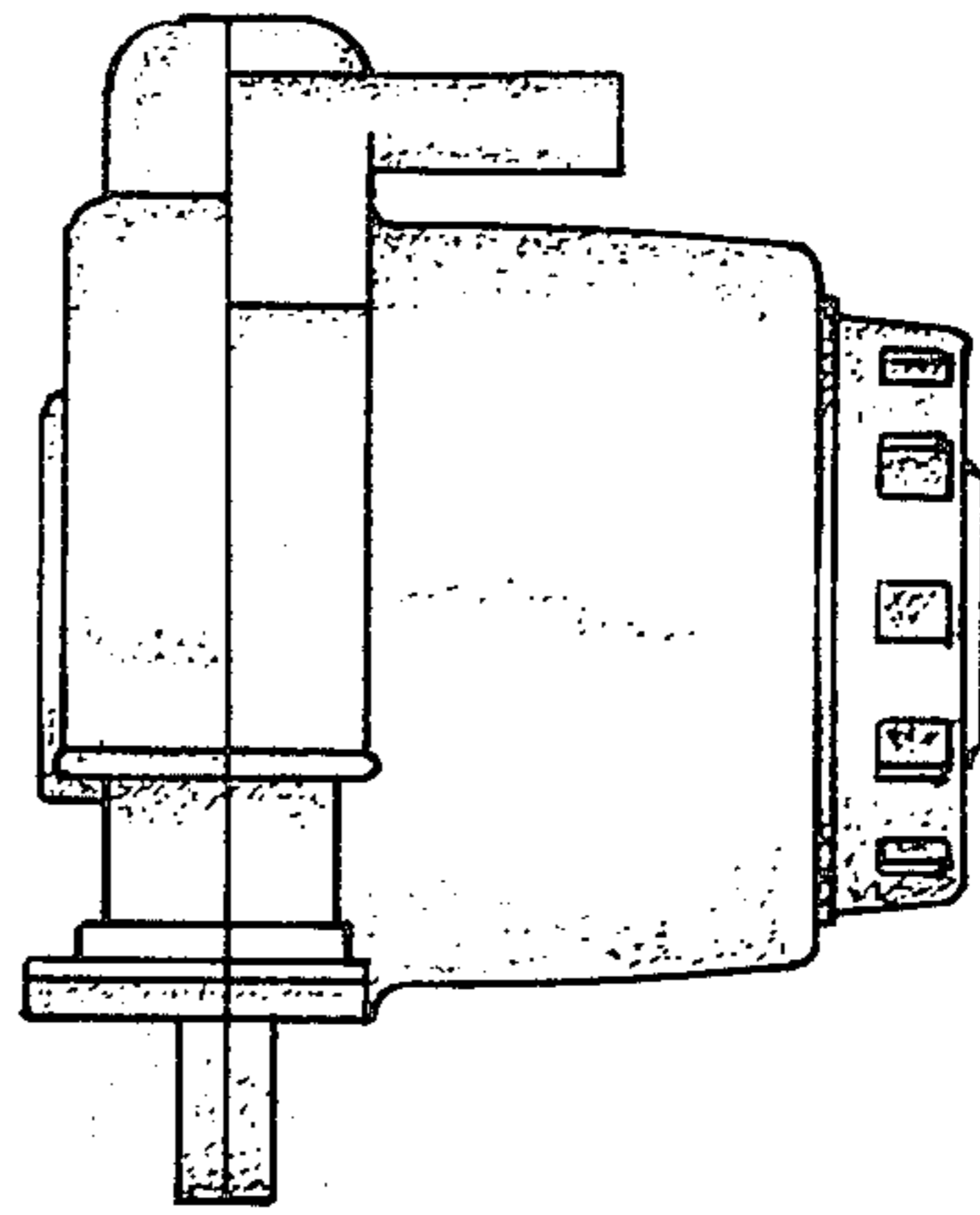


FIG. 4.

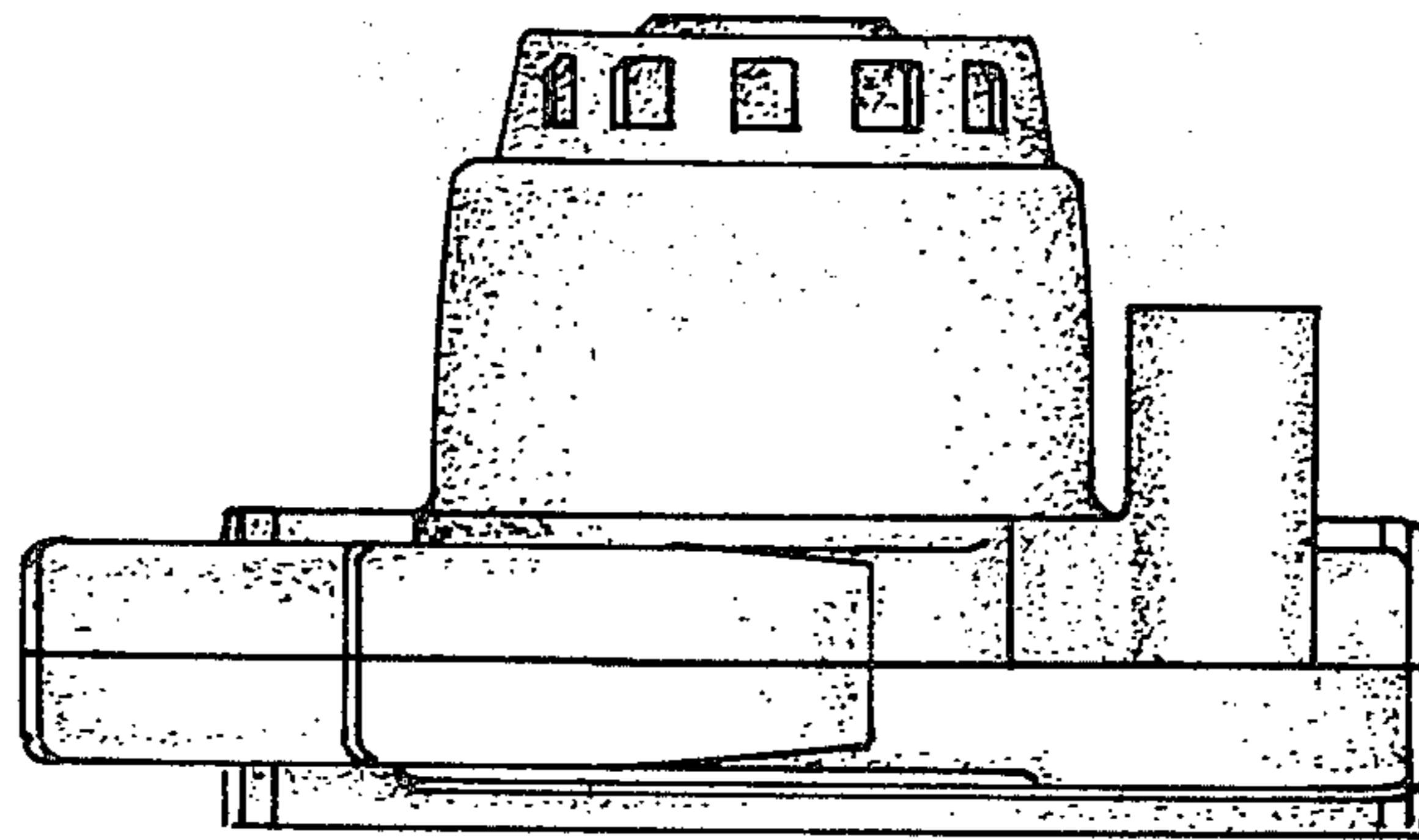


FIG. 5.

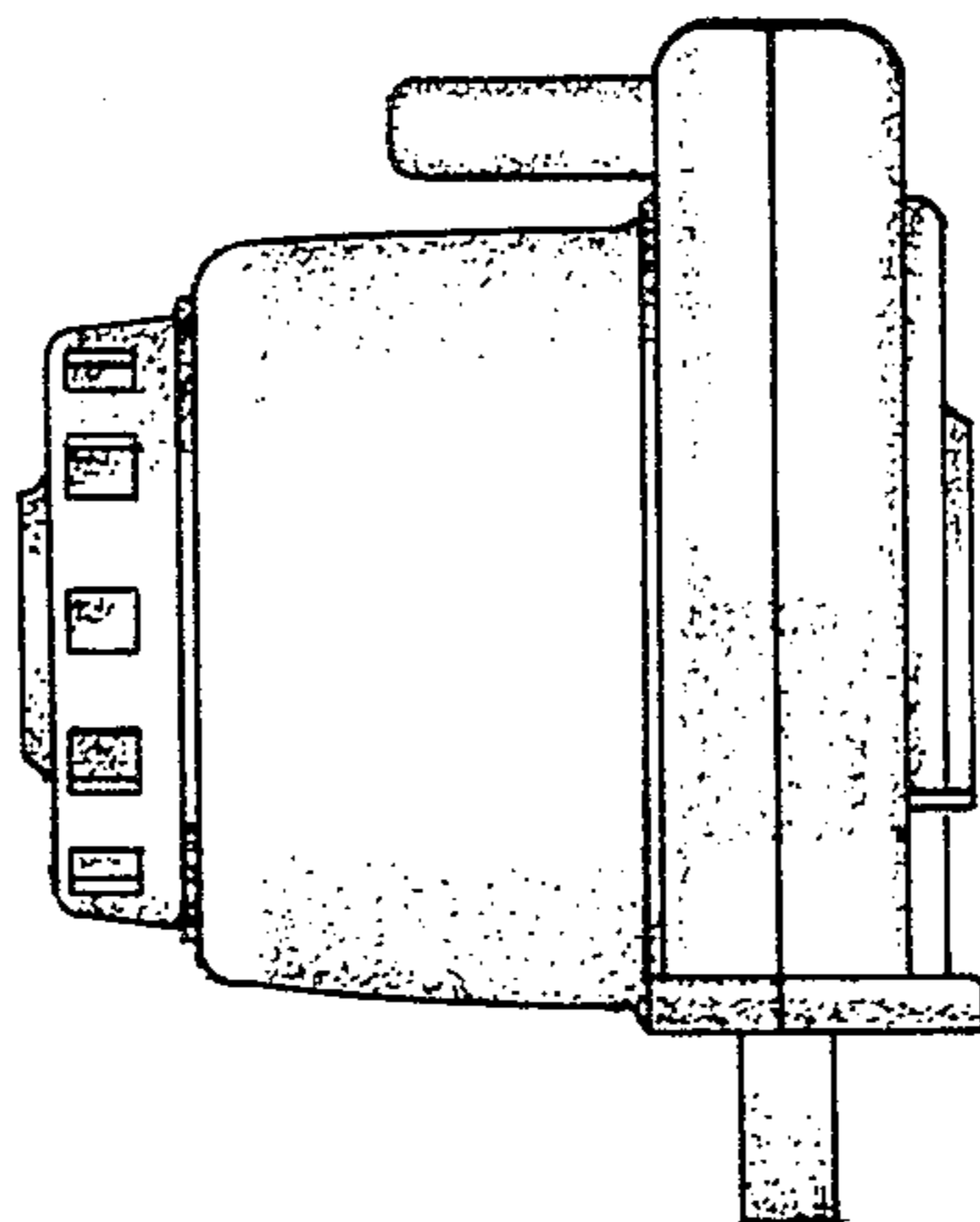


FIG. 6.

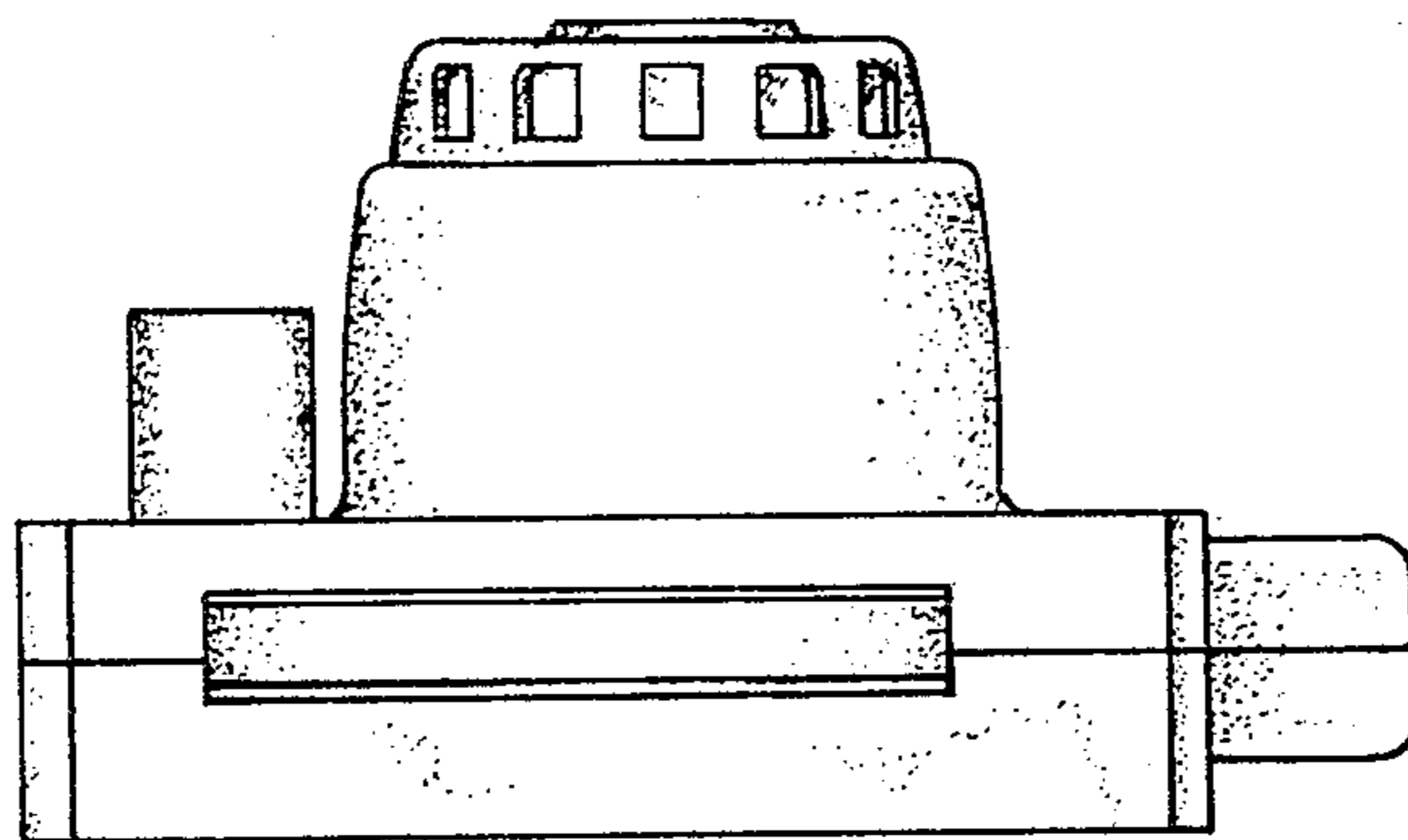


FIG. 7.