

[54] KITE PLANE

[76] Inventor: Bernard R. Barrett, 308 Graham Ave., Lombard, Ill. 60148

[\*\*] Term: 14 Years

[21] Appl. No.: 437,036

[22] Filed: Oct. 27, 1982

[52] U.S. Cl. .... D21/89; D21/88

[58] Field of Search ..... D21/82, 84, 85, 87, D21/88, 89, 90, 91, 92, 98; 446/30, 31, 61, 62, 63, 64, 65, 68, 66, 67; 244/93, 153 R, 154, 155 R, 155 A

[56] References Cited

U.S. PATENT DOCUMENTS

D. 79,978	11/1929	O'Brien	.....	D21/89
D. 223,770	6/1972	Goodman	.....	D21/89
D. 224,660	8/1972	Posner	.....	D21/89
2,351,504	6/1944	Guillow	.....	446/67

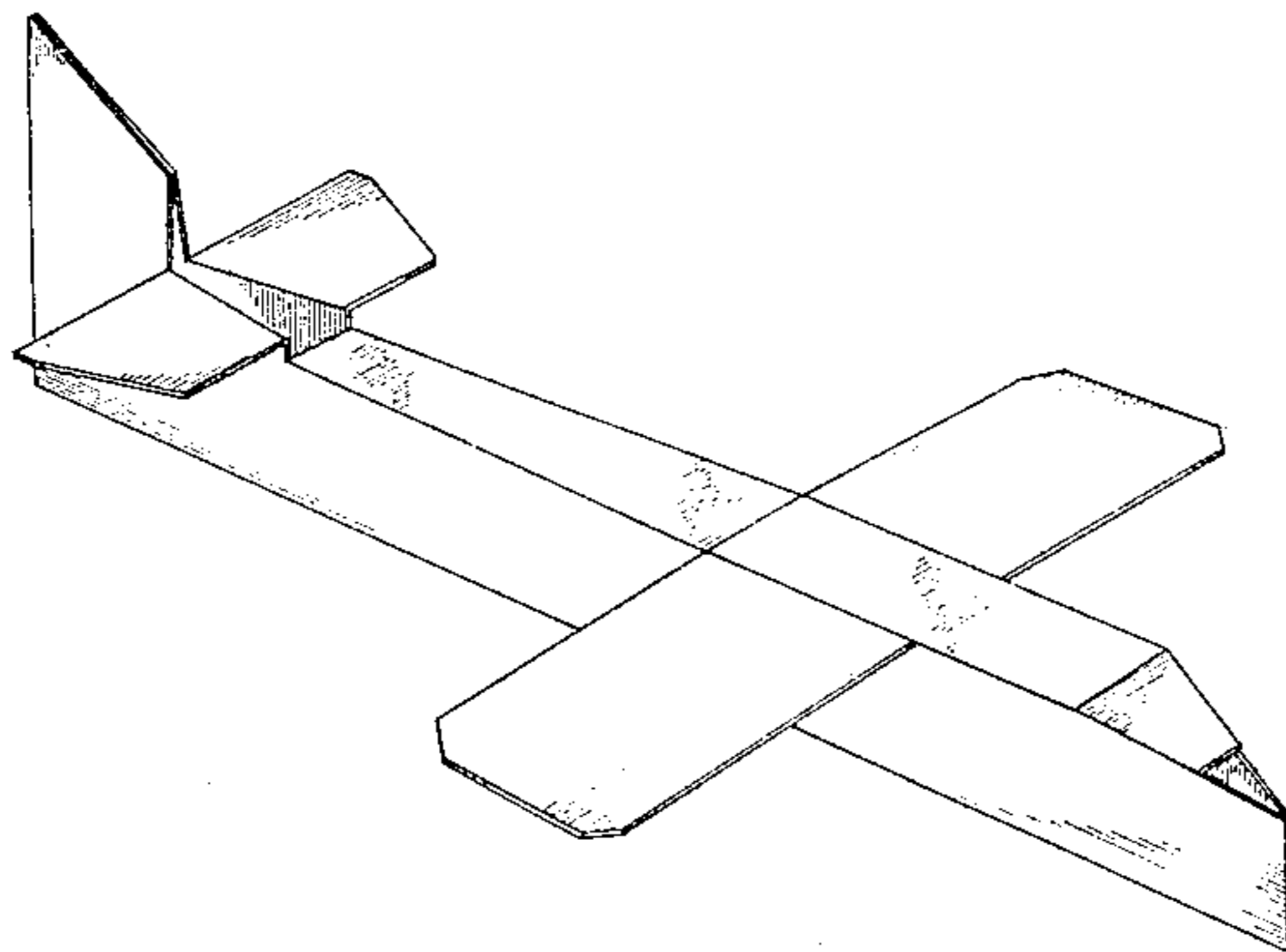
Primary Examiner—Charles A. Rademaker  
Attorney, Agent, or Firm—James D. Hall

[57] CLAIM

The ornamental design for a kite plane, as shown.

DESCRIPTION

FIG. 1 is a top perspective view of a kite plane showing my new design;  
FIG. 2 is a bottom perspective view thereof;  
FIG. 3 is a top plan view thereof;  
FIG. 4 is a front elevational view thereof;  
FIG. 5 is a rear elevational view thereof; and  
FIG. 6 is a bottom plan view thereof.



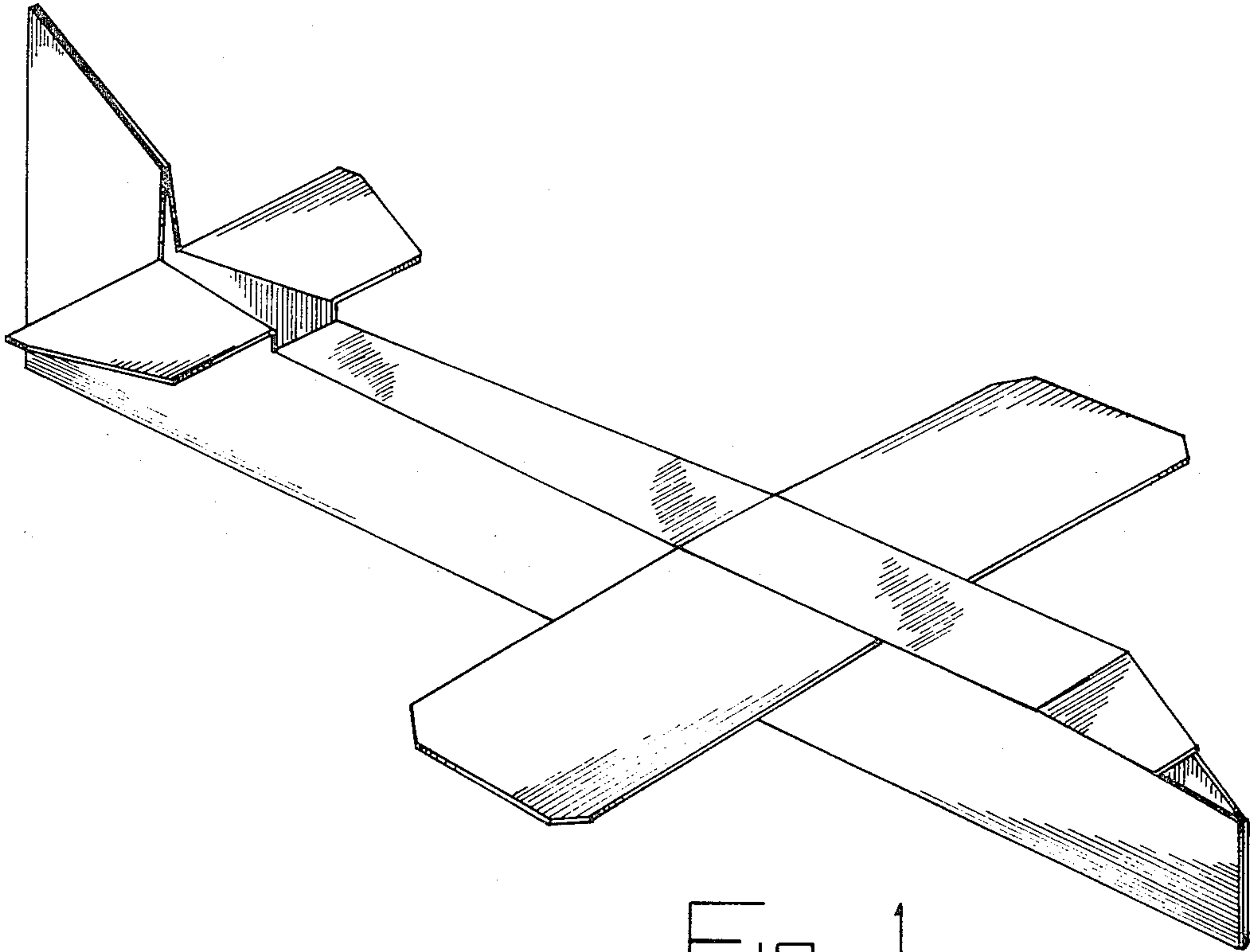


Fig. 1

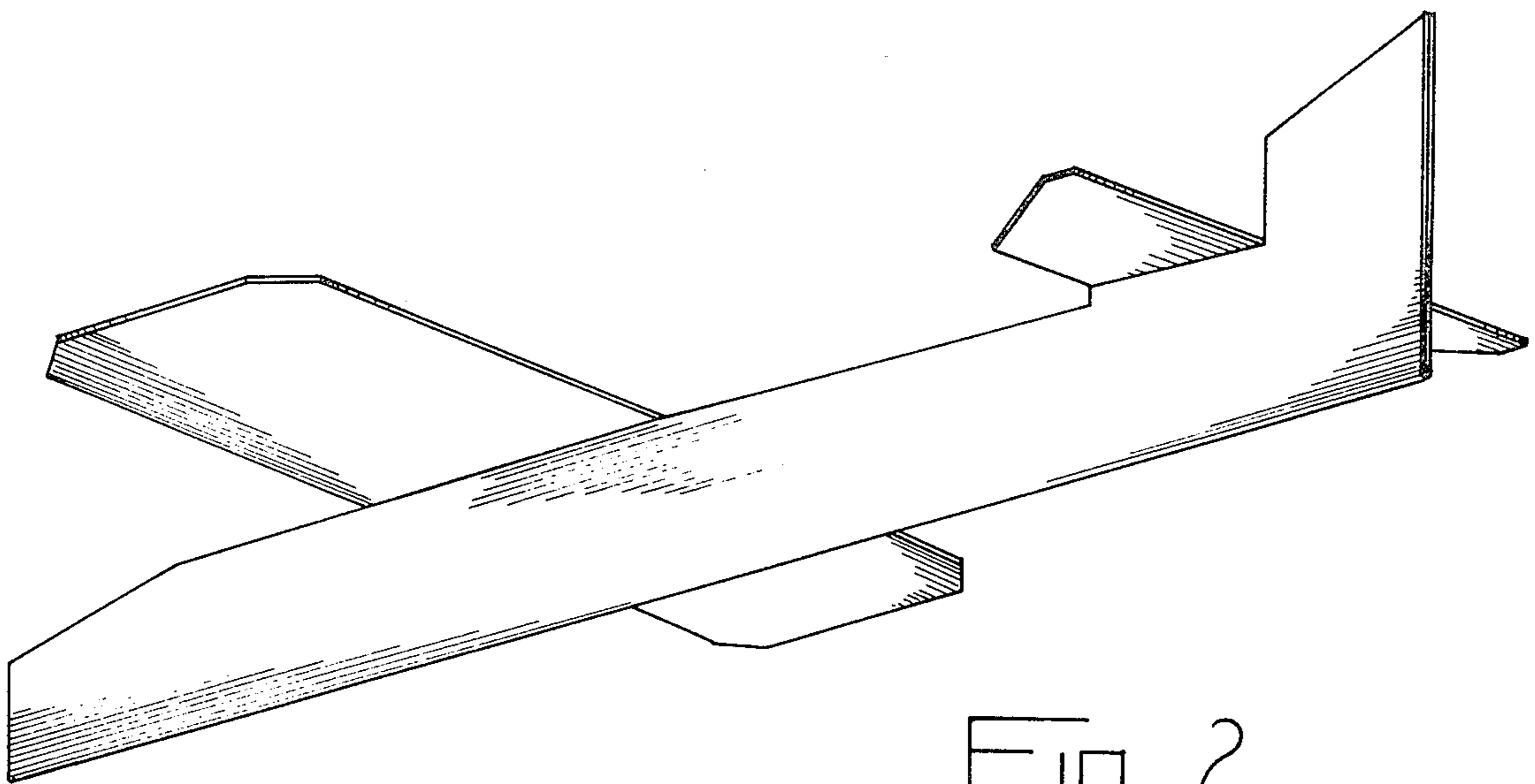


Fig. 2

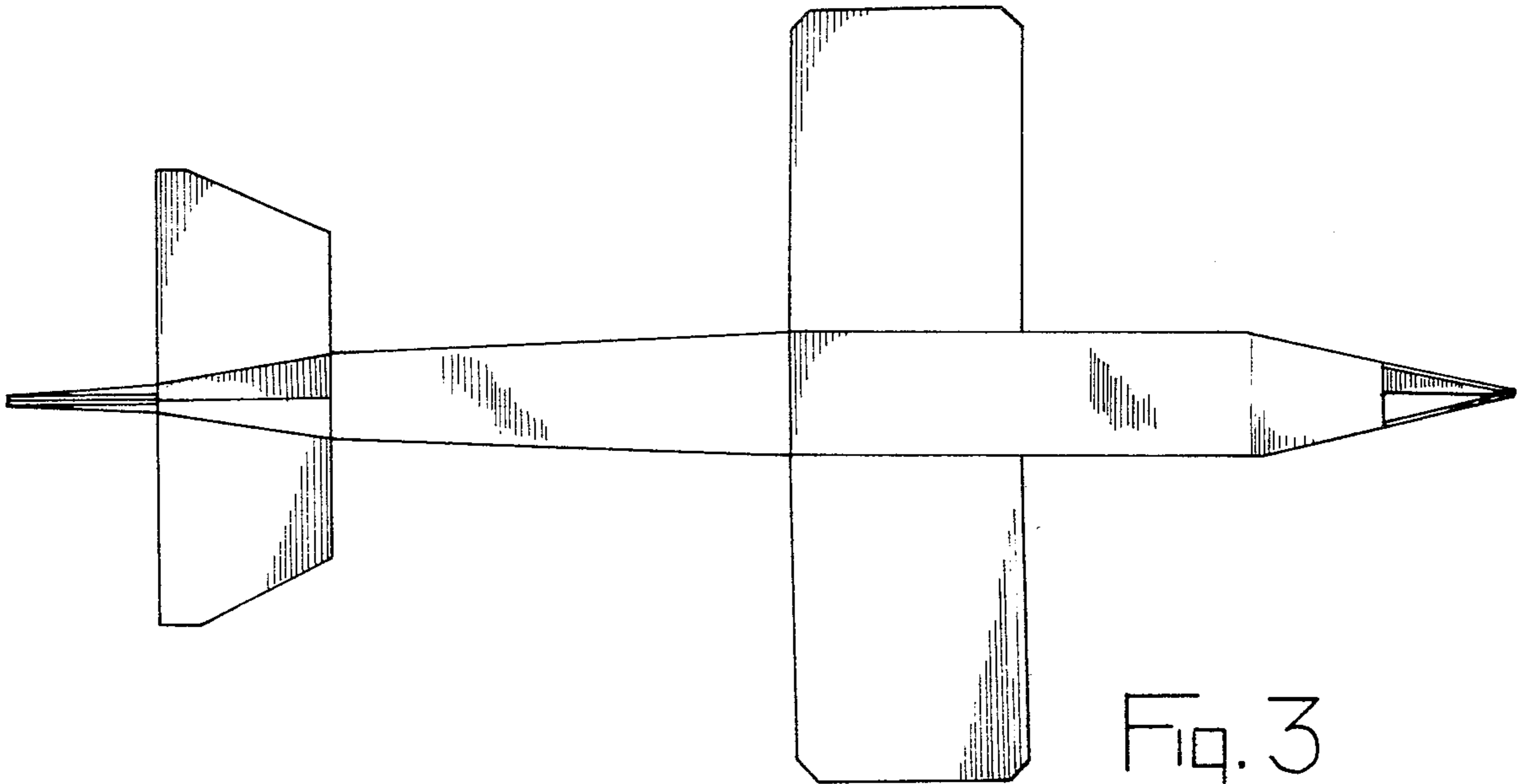


Fig. 3

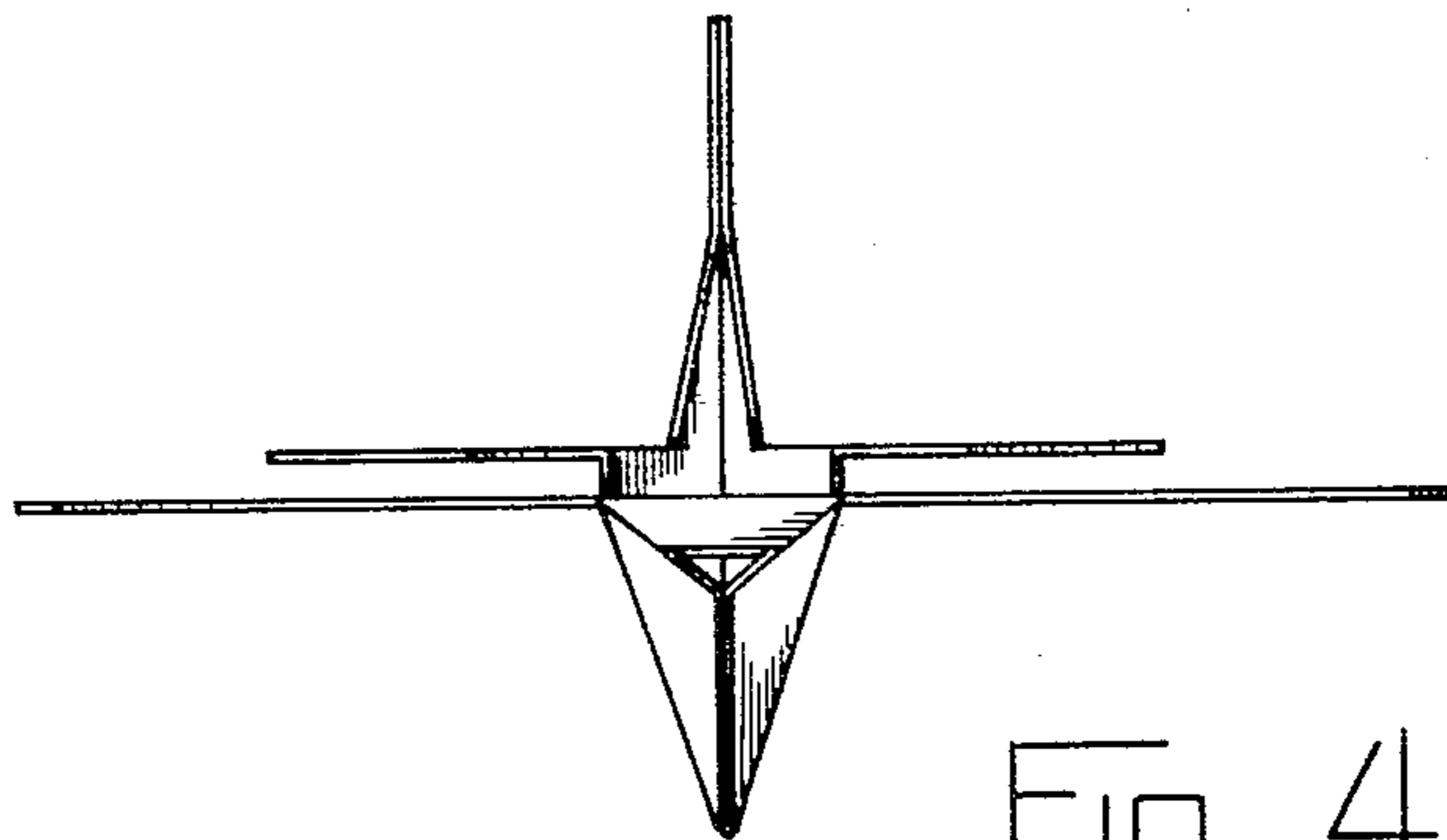


Fig. 4

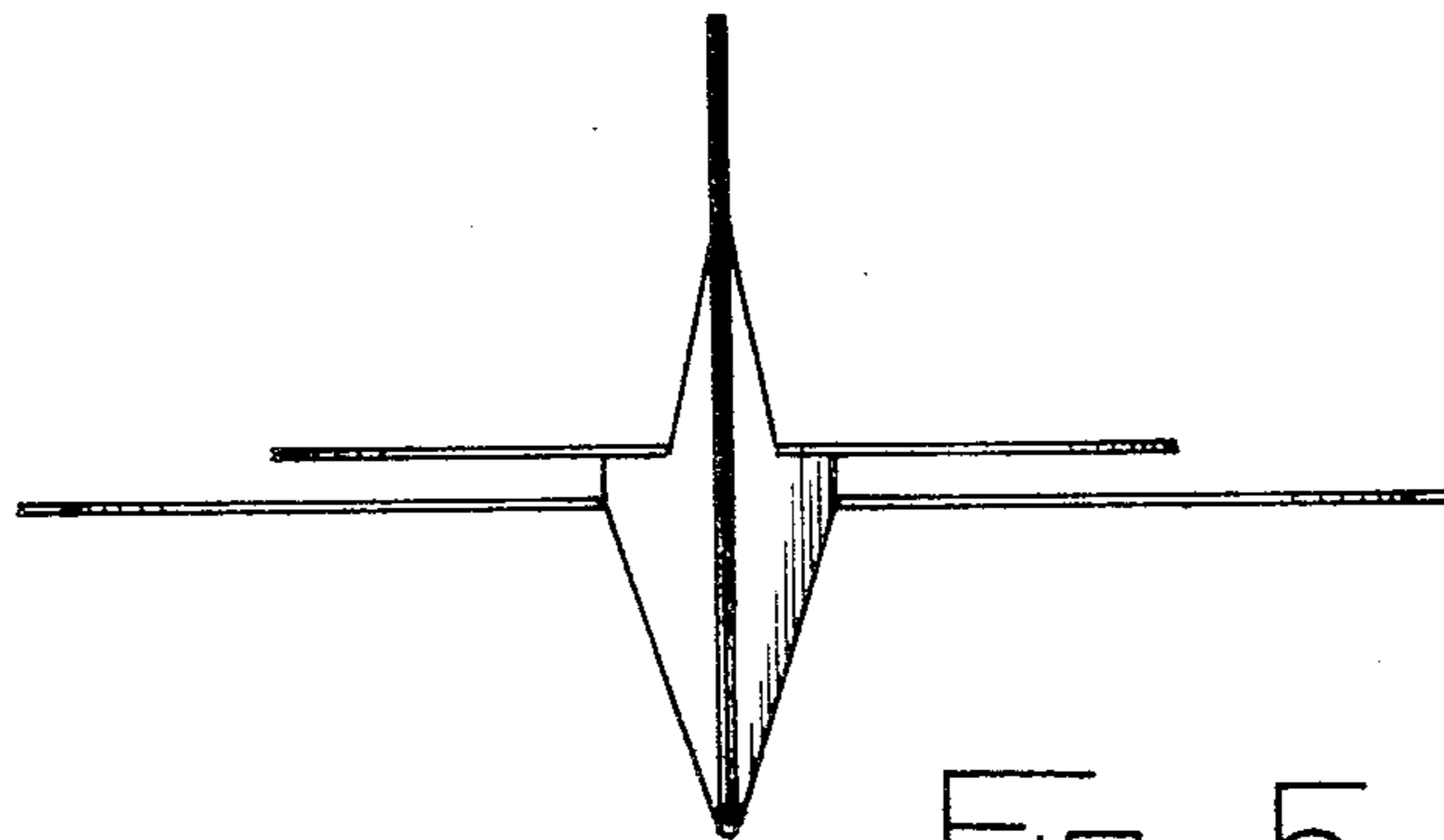


Fig. 5

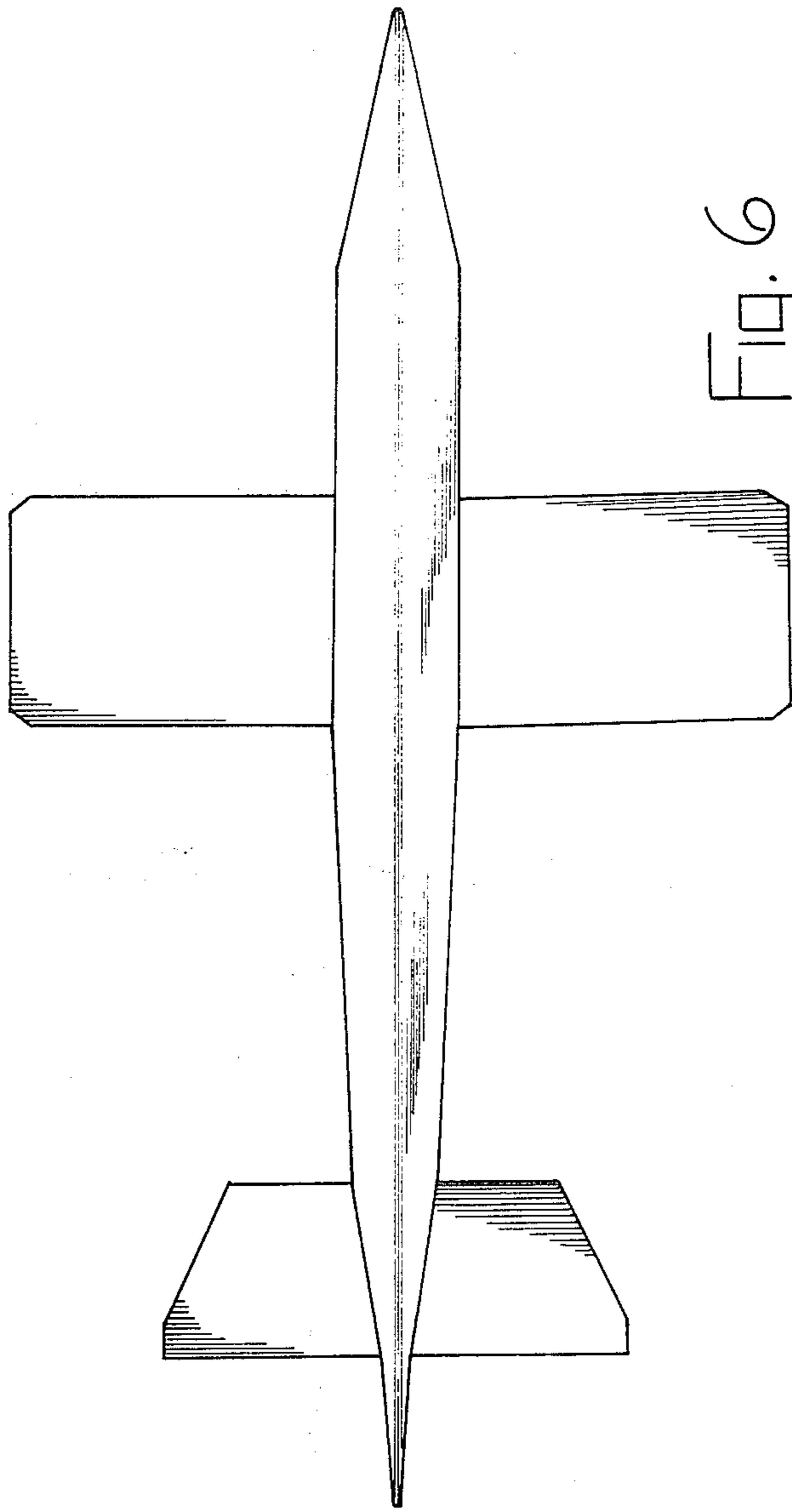


FIG. 6