

[54] SPECTACLE TAG

[75] Inventor: Norman Liebman, Livingston, N.J.

[73] Assignee: Arch Crown Tags, Inc., Newark, N.J.

[**] Term: 14 Years

[21] Appl. No.: 209,506

[22] Filed: Nov. 24, 1980

[52] U.S. Cl. D20/27; D20/28

[58] Field of Search D20/22, 27, 28; 24/225-227; 40/21 R, 21 A, 21 B, 21 C, 2 R, 2 A, 305, 317, 321, 322, 325, 330, 334, 10 R, 16, 16.2

[56] References Cited

U.S. PATENT DOCUMENTS

- 876,341 1/1908 Forstner 24/225
- 1,695,036 12/1928 Thursby 40/2 R
- 2,054,227 9/1936 Nichols 40/21 R

FOREIGN PATENT DOCUMENTS

170061 9/1934 Switzerland 24/227

Primary Examiner—Catherine E. Kemper
Attorney, Agent, or Firm—Edward R. Weingram

[57] CLAIM

The ornamental design for a spectacle tag, as shown and described.

DESCRIPTION

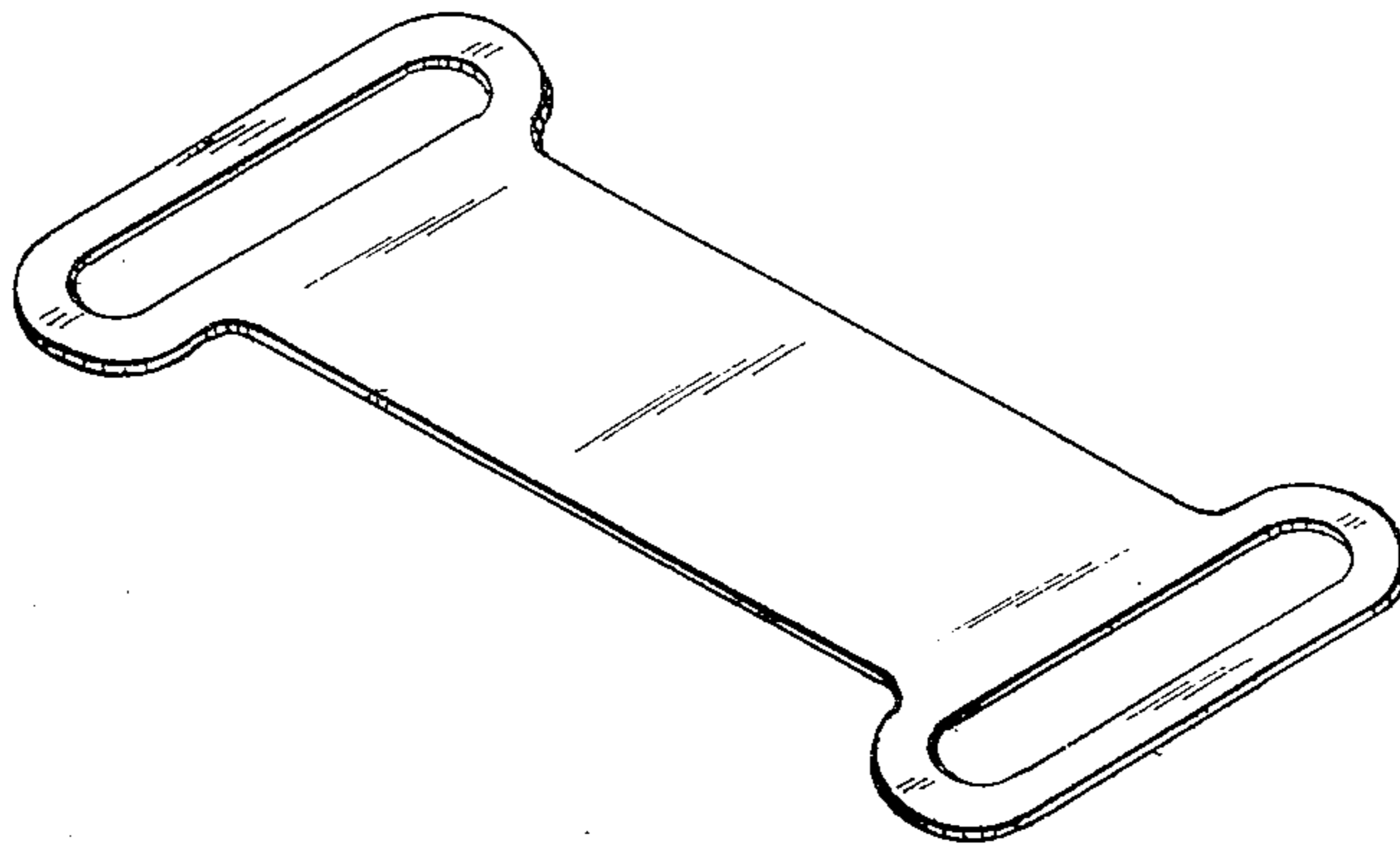
FIG. 1 is a perspective view of a spectacle tag, showing my new design;

FIG. 2 is an end elevational view, the opposite end being identical thereto;

FIG. 3 is a side elevational view, the opposite side being identical thereto;

FIG. 4 is a top plan view, the bottom view being identical thereto.

The characteristic feature of my design resides in the dumbbell-like shape of the tag.



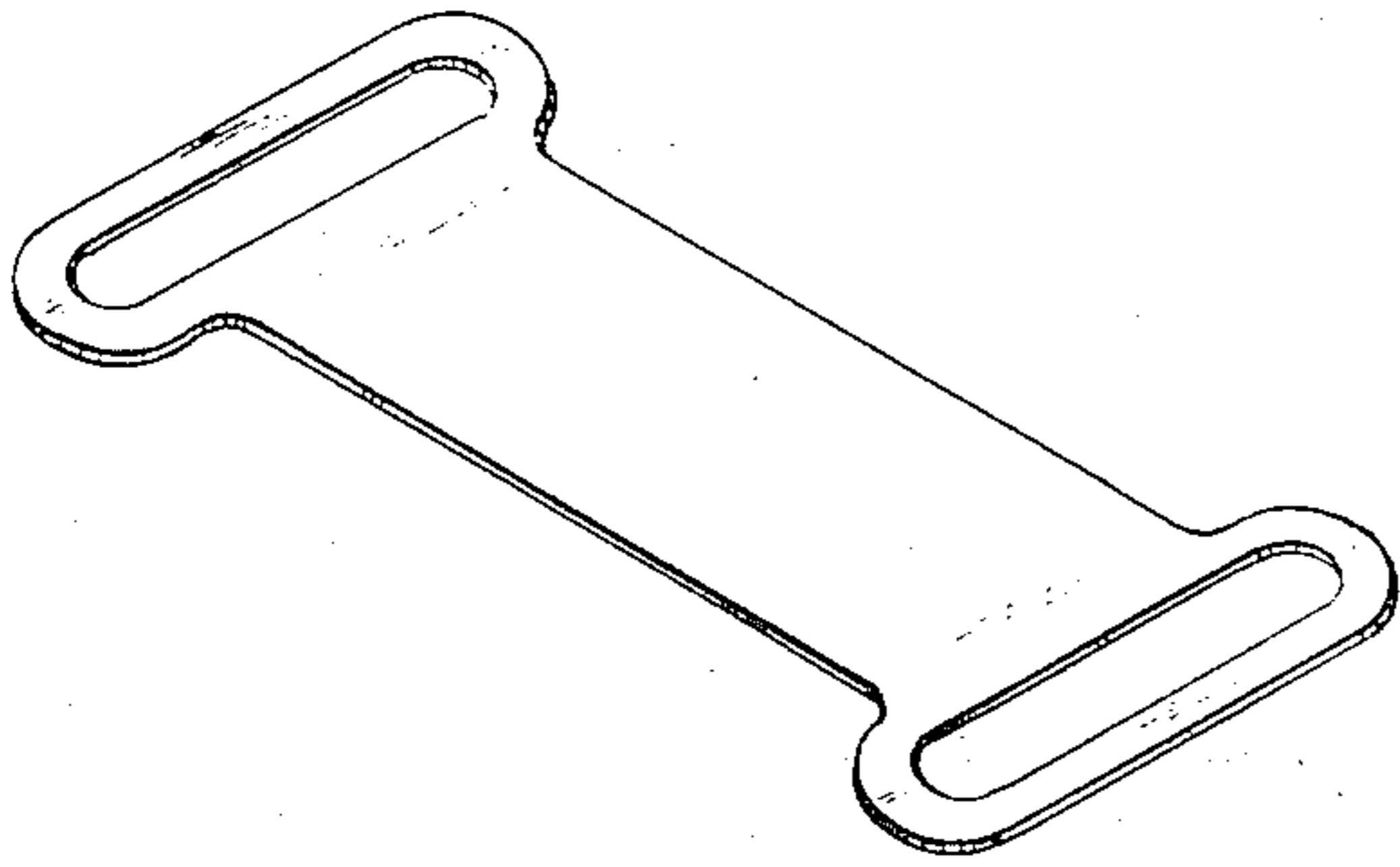


FIG. 1

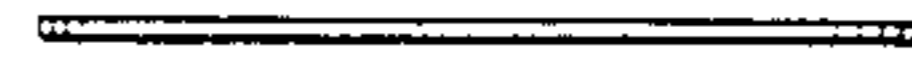


FIG. 2

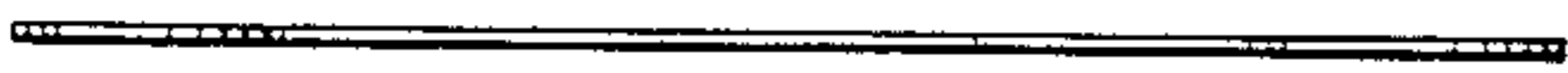


FIG. 3

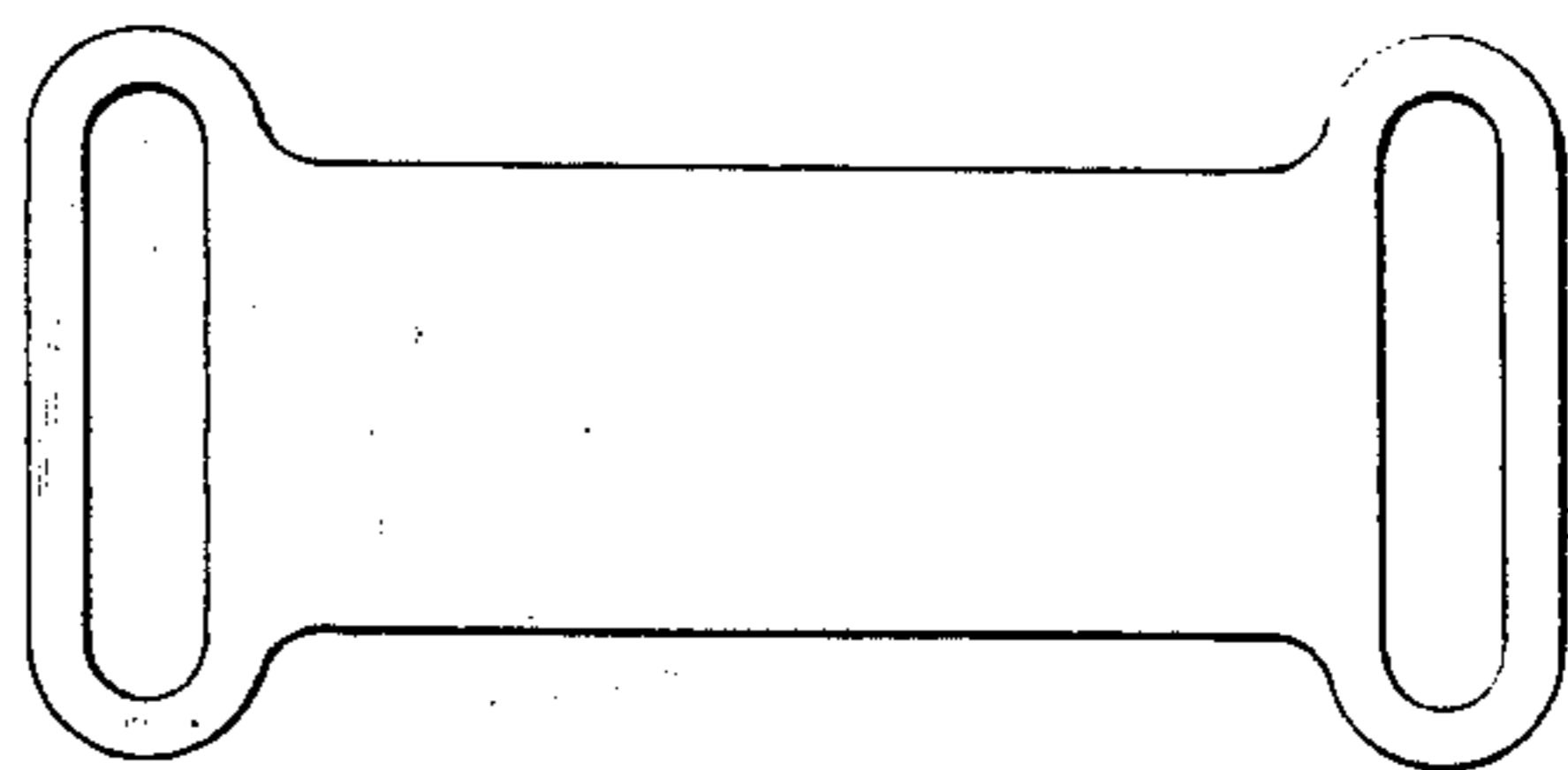


FIG. 4