

[54] COMBINED SLIDE PROJECTOR AND SLIDE MAGAZINE

[76] Inventor: Kenneth Österlin, Nordhemsgatan 74, S-413 09 Göteborg, Sweden

[\*\*] Term: 14 Years

[21] Appl. No.: 447,533

[22] Filed: Dec. 7, 1982

[30] Foreign Application Priority Data

Jun. 30, 1982 [SE] Sweden ..... 82-1744

[52] U.S. Cl. .... D16/21

[58] Field of Search ..... D16/20, 21; 353/107, 353/117, 119

[56] References Cited

U.S. PATENT DOCUMENTS

D. 195,910	8/1963	Olson	.....	D16/21
D. 199,466	10/1964	Olson	.....	D16/21
D. 205,805	9/1966	Simonelli	.....	D16/21
D. 214,099	5/1969	Steinbach	.....	D16/21
D. 219,074	10/1970	Ainslie	.....	D16/20 X
3,411,845	11/1968	Pester	.....	353/107 X
3,499,708	3/1970	Hall	.....	353/117 X

3,554,639 1/1971 Robinson ..... 353/117

Primary Examiner—Nelson C. Noltje  
Attorney, Agent, or Firm—Burns, Doane, Swecker & Mathis

[57] CLAIM

The ornamental design for a combined slide projector and slide magazine, as shown and described.

DESCRIPTION

FIG. 1 is a right front perspective view of a combined slide projector and slide magazine showing my new design with the magazine omitted for clarity of disclosure;

FIG. 2 is a left front perspective view thereof with the magazine omitted for clarity of disclosure;

FIG. 3 is a rear perspective view thereof with the magazine omitted for clarity of disclosure;

FIG. 4 is a right rear perspective view thereof with the magazine omitted for clarity of disclosure;

FIG. 5 is a bottom plan view thereof;

FIG. 6 is a top and right front perspective view thereof;

FIG. 7 is a right rear perspective view thereof;

FIG. 8 is a left front perspective view thereof;

FIG. 9 is a left rear perspective view thereof.

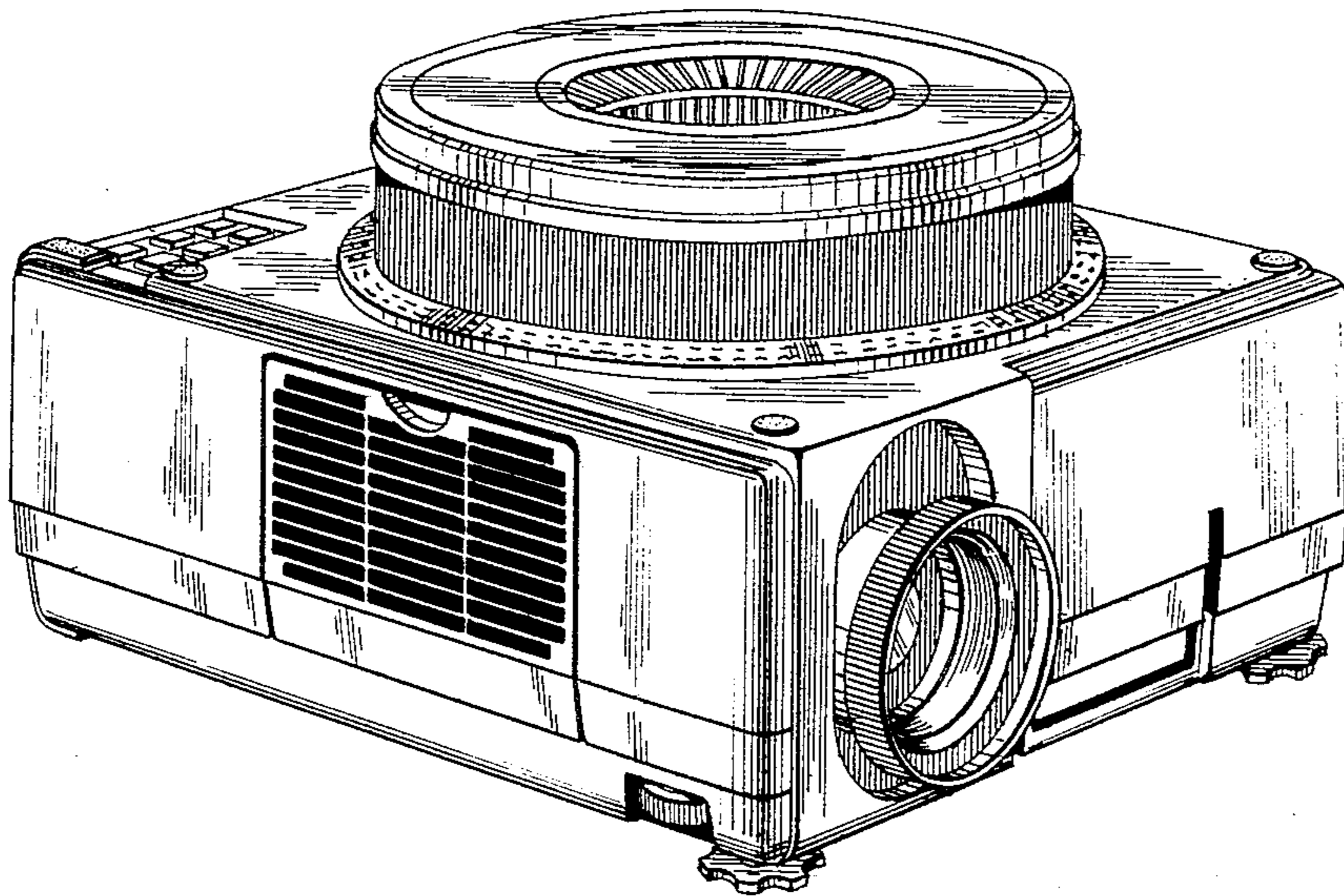


FIG. 1

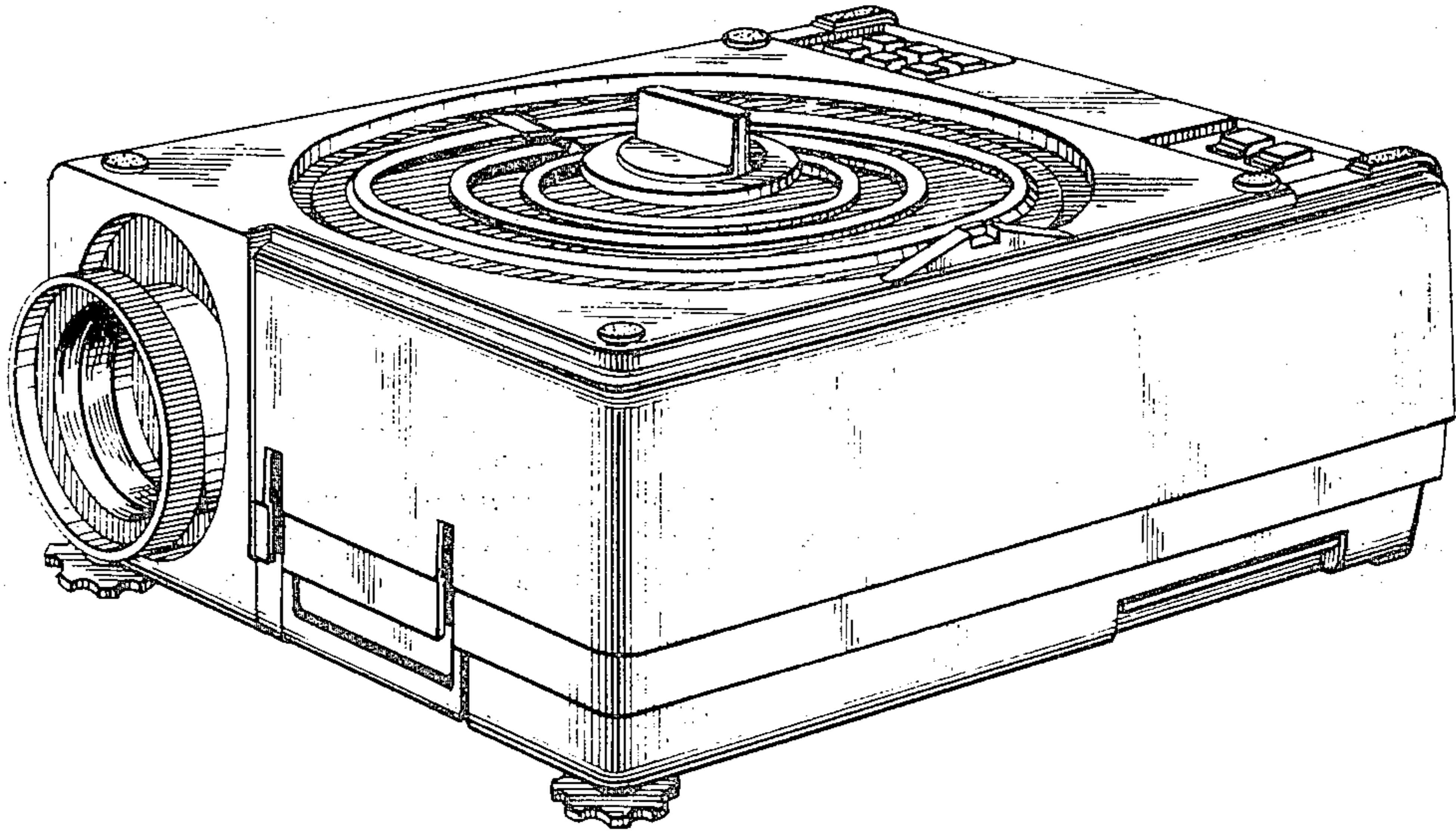
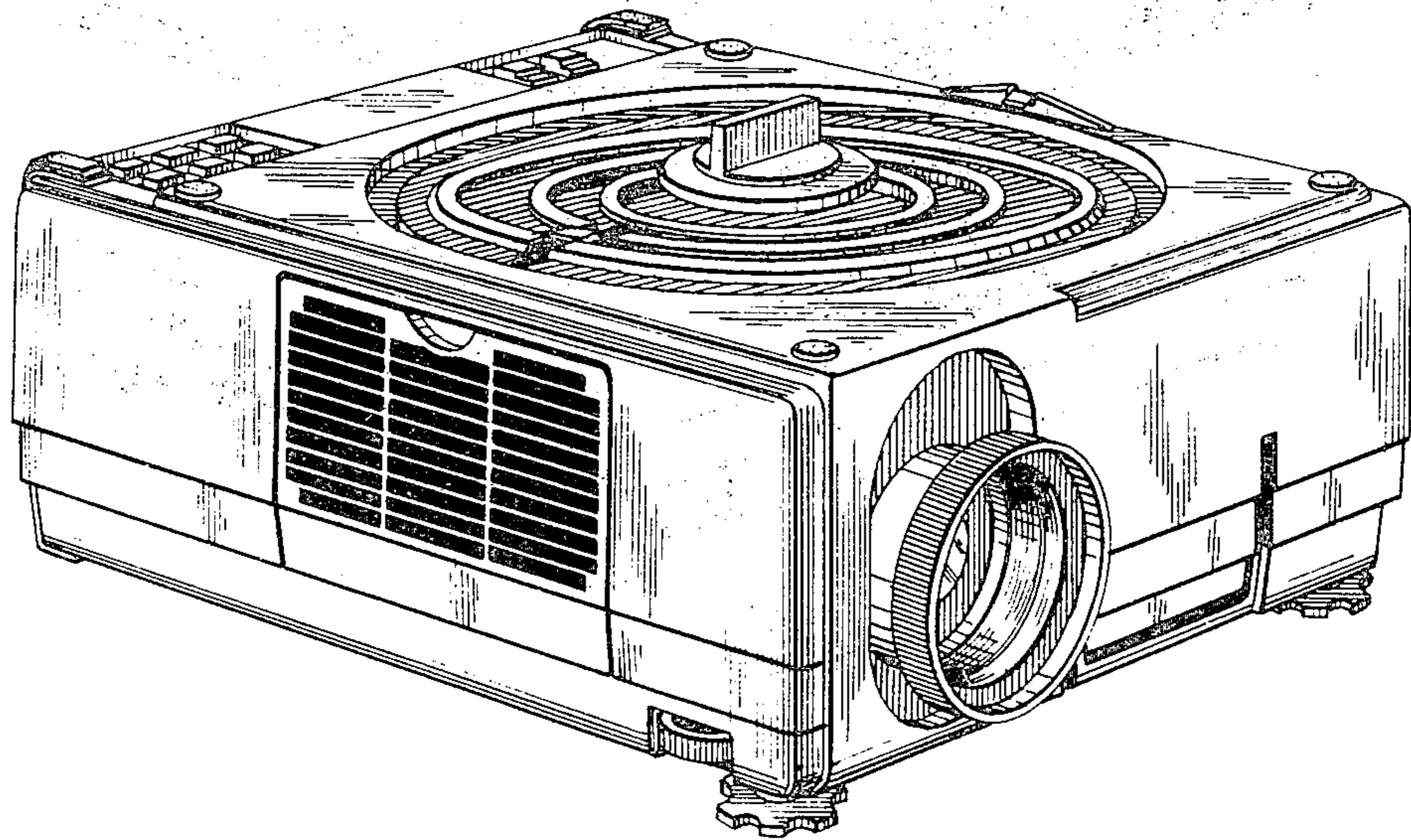
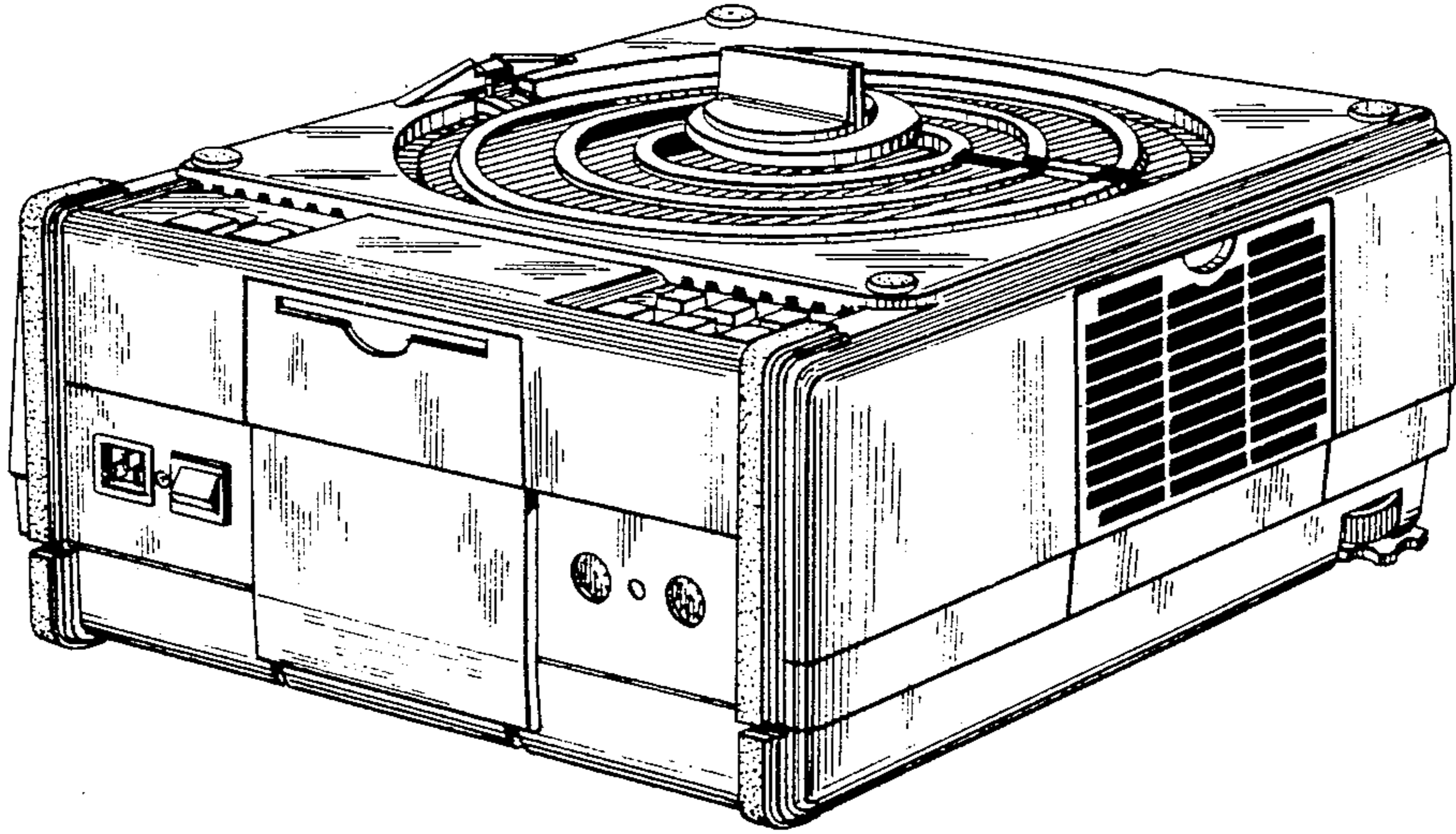


FIG. 2



*FIG. 3*



*FIG. 4*

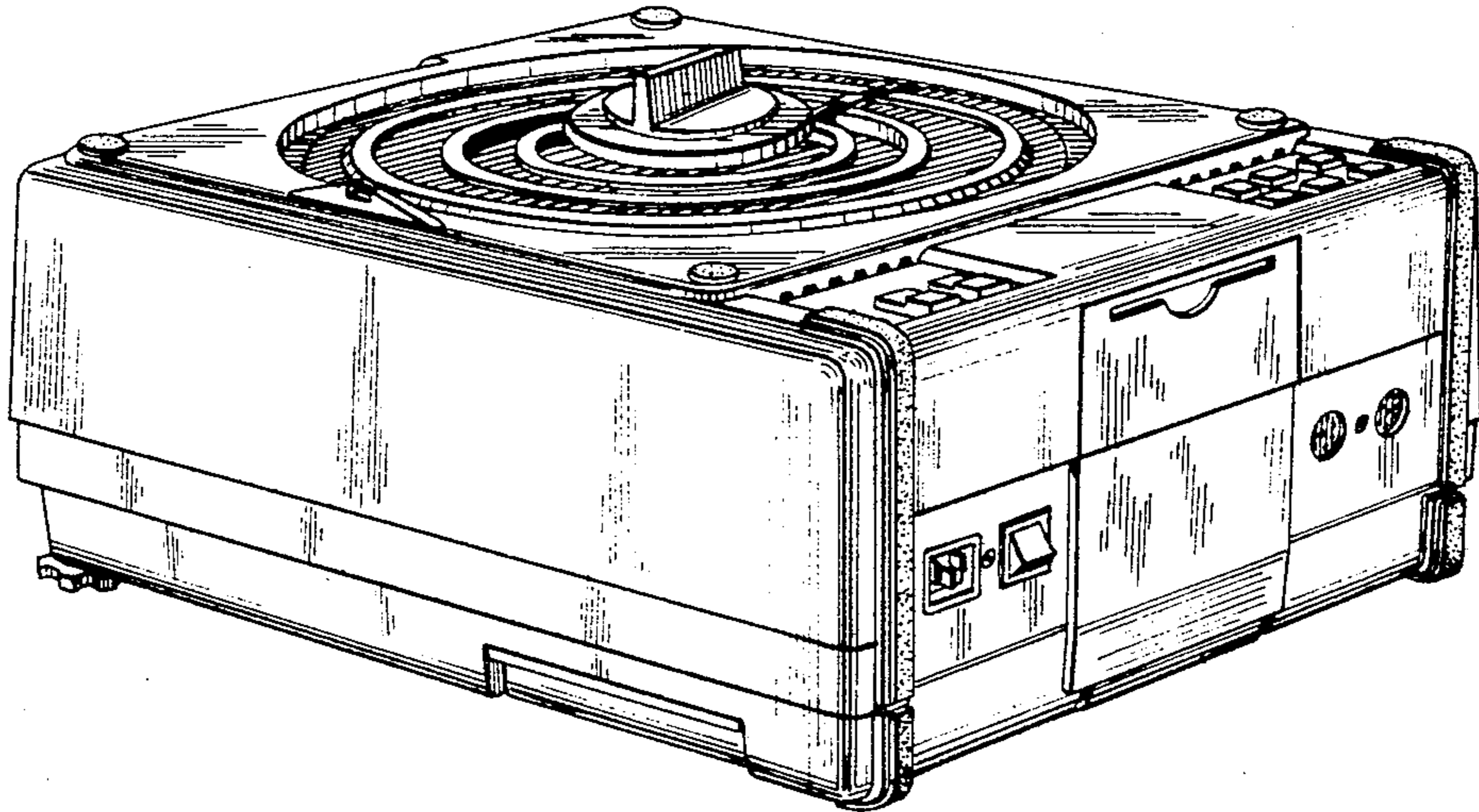


FIG. 5

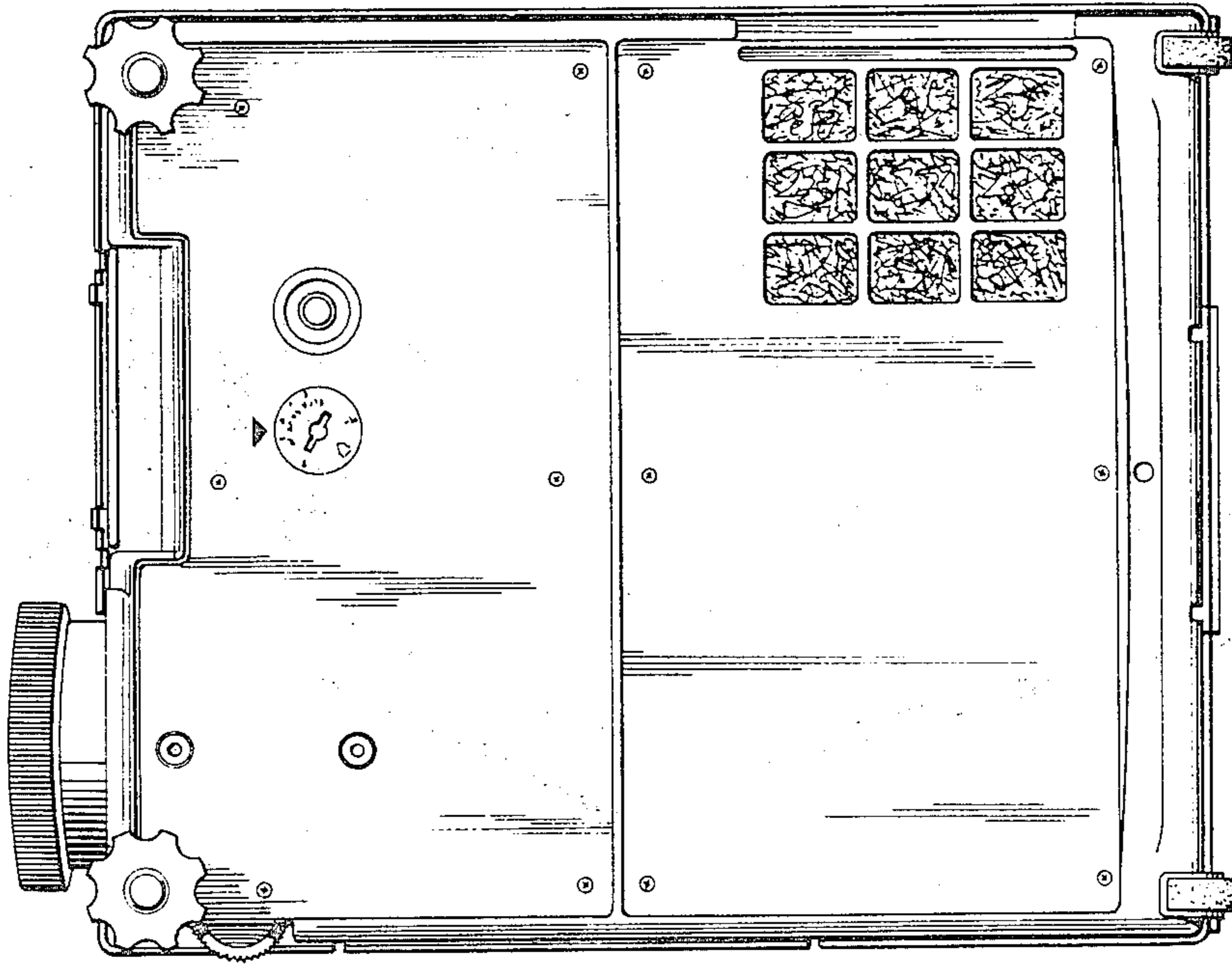


FIG. 6

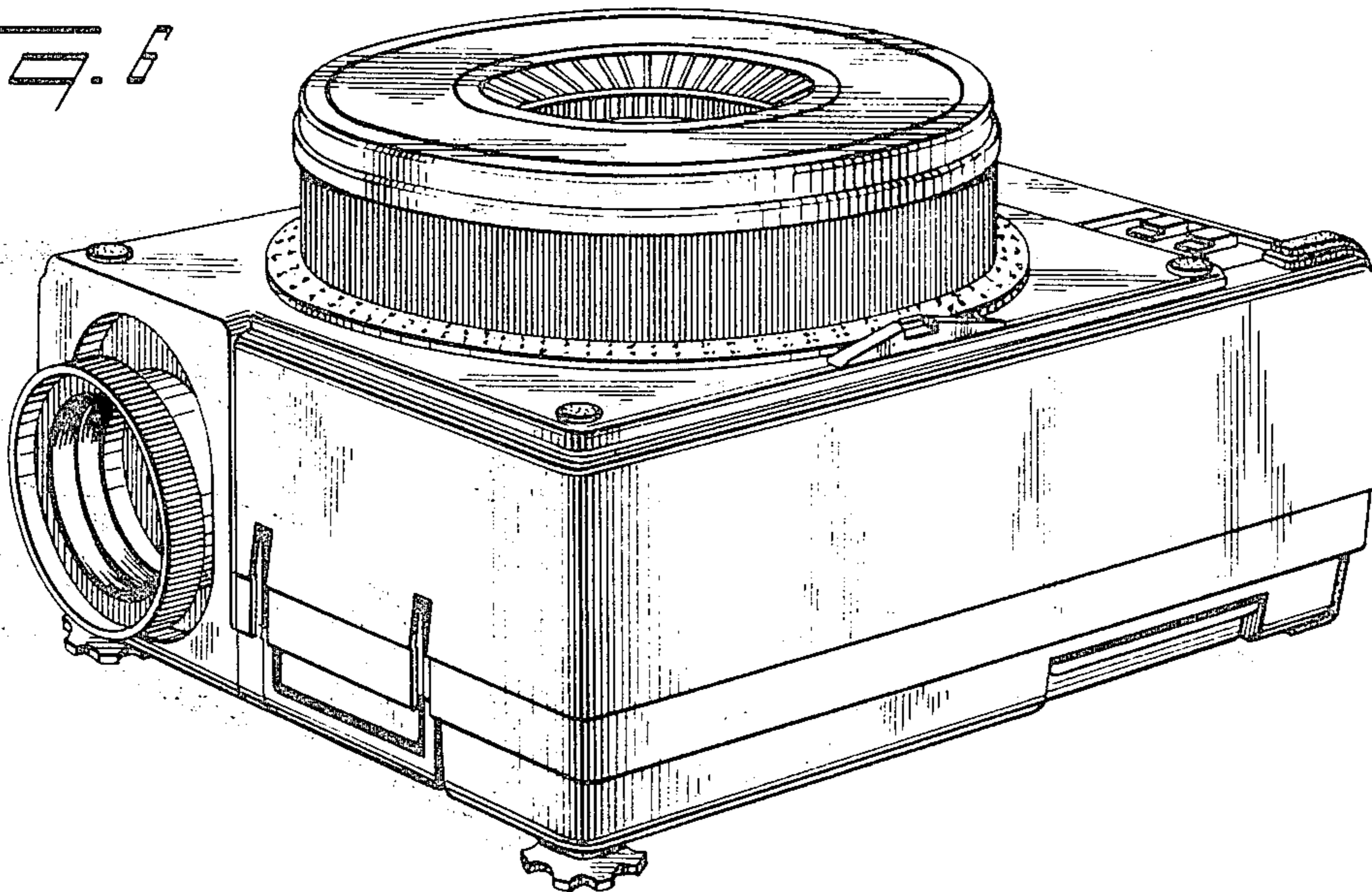


FIG. 1

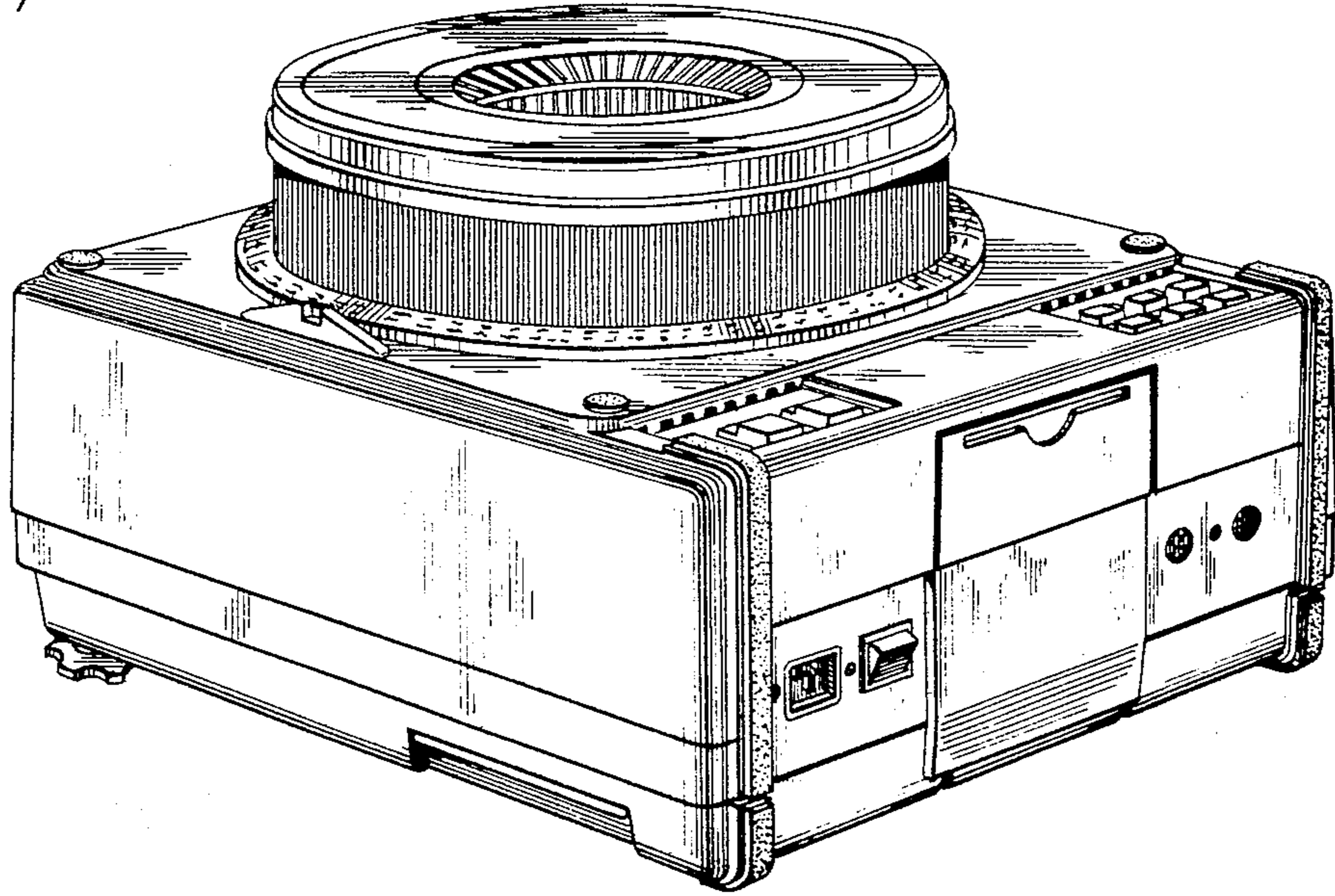
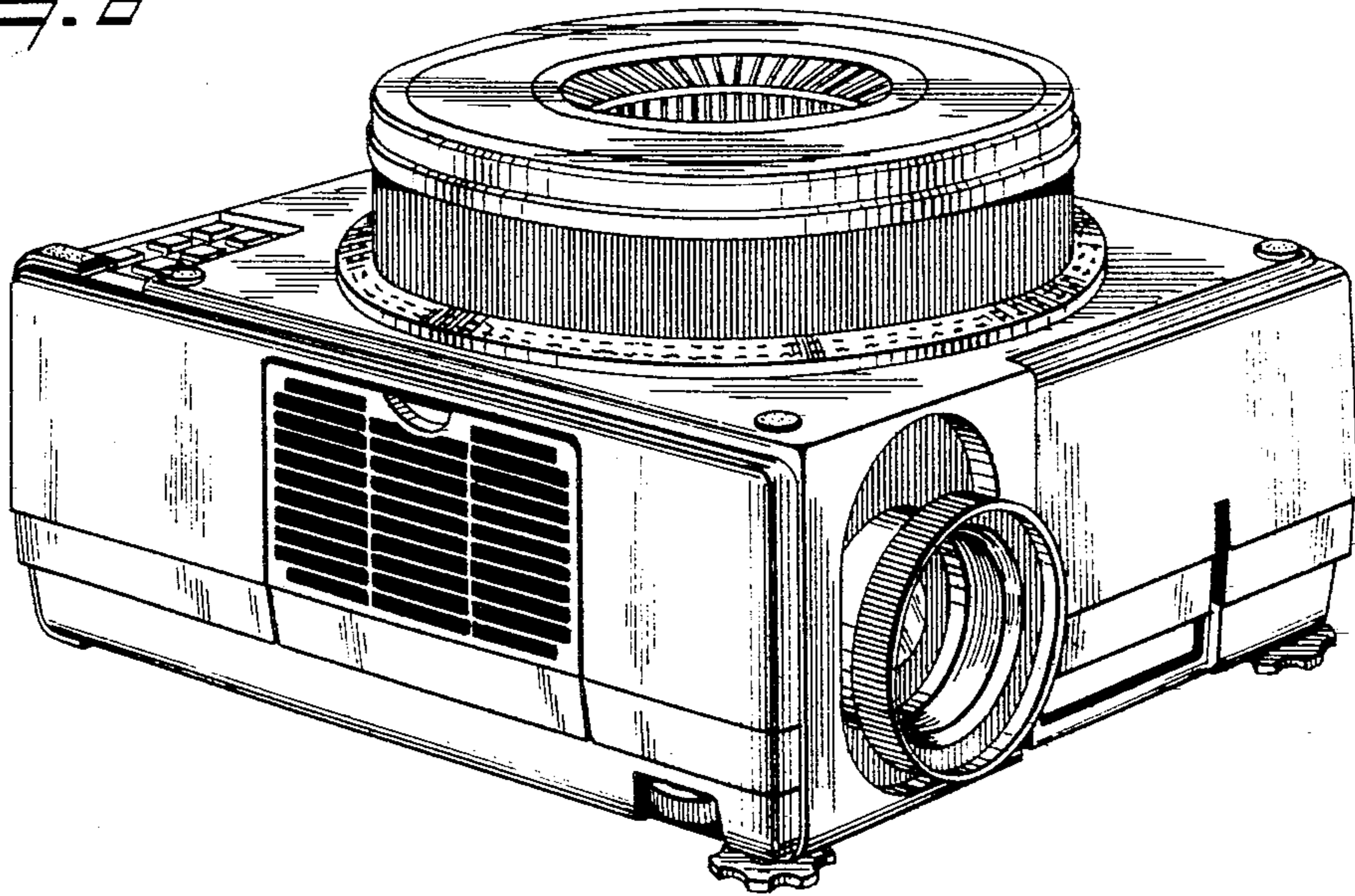


FIG. 2



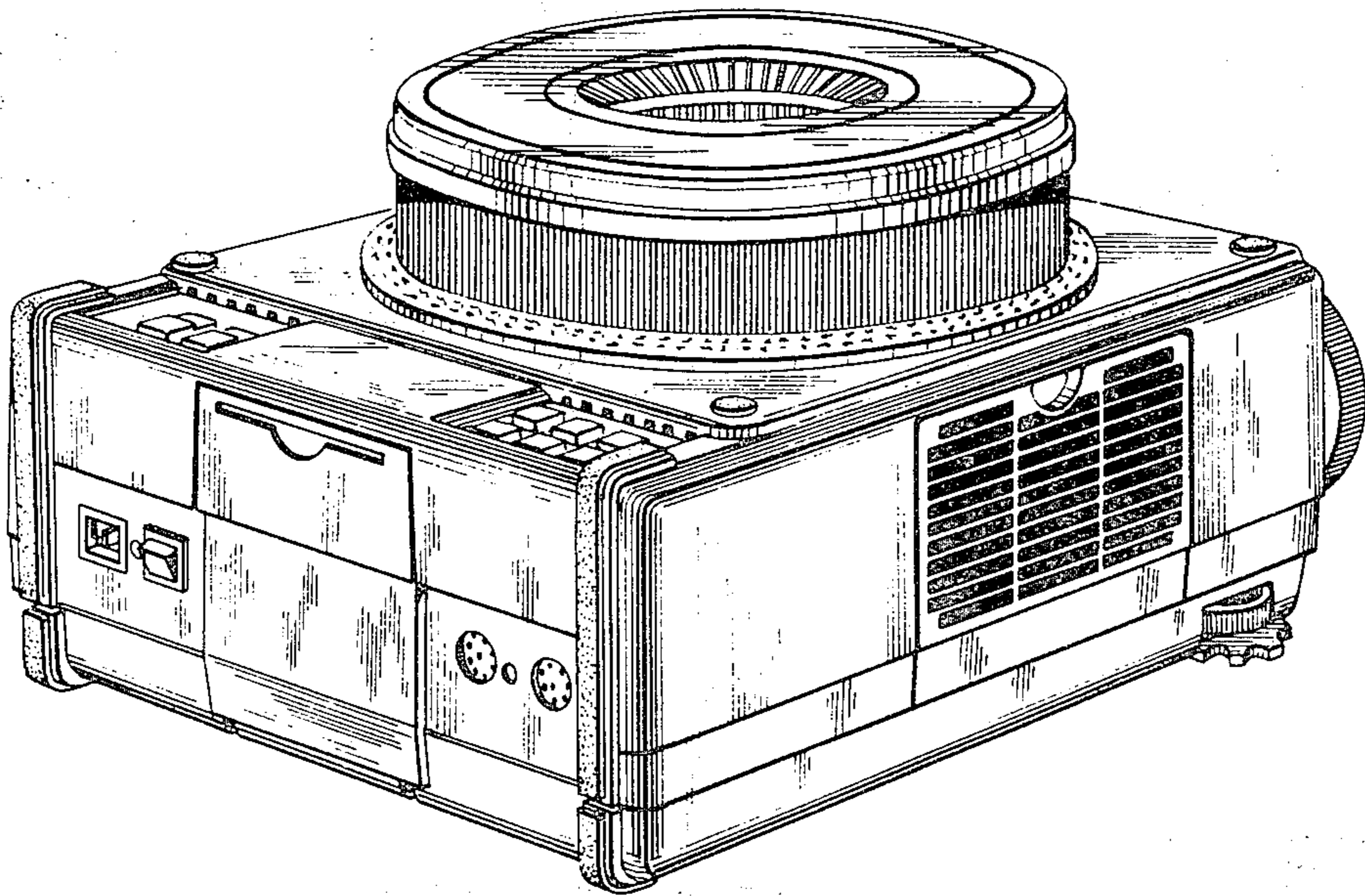


FIG. 4