

[54] BED-TYPE MILLING MACHINE

[75] Inventor: Gerald V. Roch, Indianapolis, Ind.

[73] Assignee: Hurco Manufacturing Co., Inc., Indianapolis, Ind.

[**] Term: 14 Years

[21] Appl. No.: 440,010

[22] Filed: Nov. 8, 1982

[52] U.S. Cl. D15/131

[58] Field of Search D15/122, 127, 131; 409/64

[56] References Cited

U.S. PATENT DOCUMENTS

- D. 217,390 4/1970 Larsen D15/131
- D. 243,972 4/1977 Kucyna et al. D15/131
- D. 255,243 6/1980 Roch D15/131

Primary Examiner—B. J. Bullock

Attorney, Agent, or Firm—Woodard, Weikart, Emhardt & Naughton

[57] CLAIM

The ornamental design for a bed-type milling machine, as shown and described.

DESCRIPTION

FIG. 1 is a perspective view of a bed-type milling machine, showing my new design.

FIG. 2 is a side elevational view taken from the left of FIG. 1.

FIG. 3 is a front elevational view thereof.

FIG. 4 is a rear elevational view thereof.

FIG. 5 is a side elevational view taken from the right of FIG. 1.

FIG. 6 is a top plan view thereof.

FIG. 7 is a perspective view of an alternative embodiment thereof.

FIG. 8 is a side elevational view taken from the left of FIG. 7.

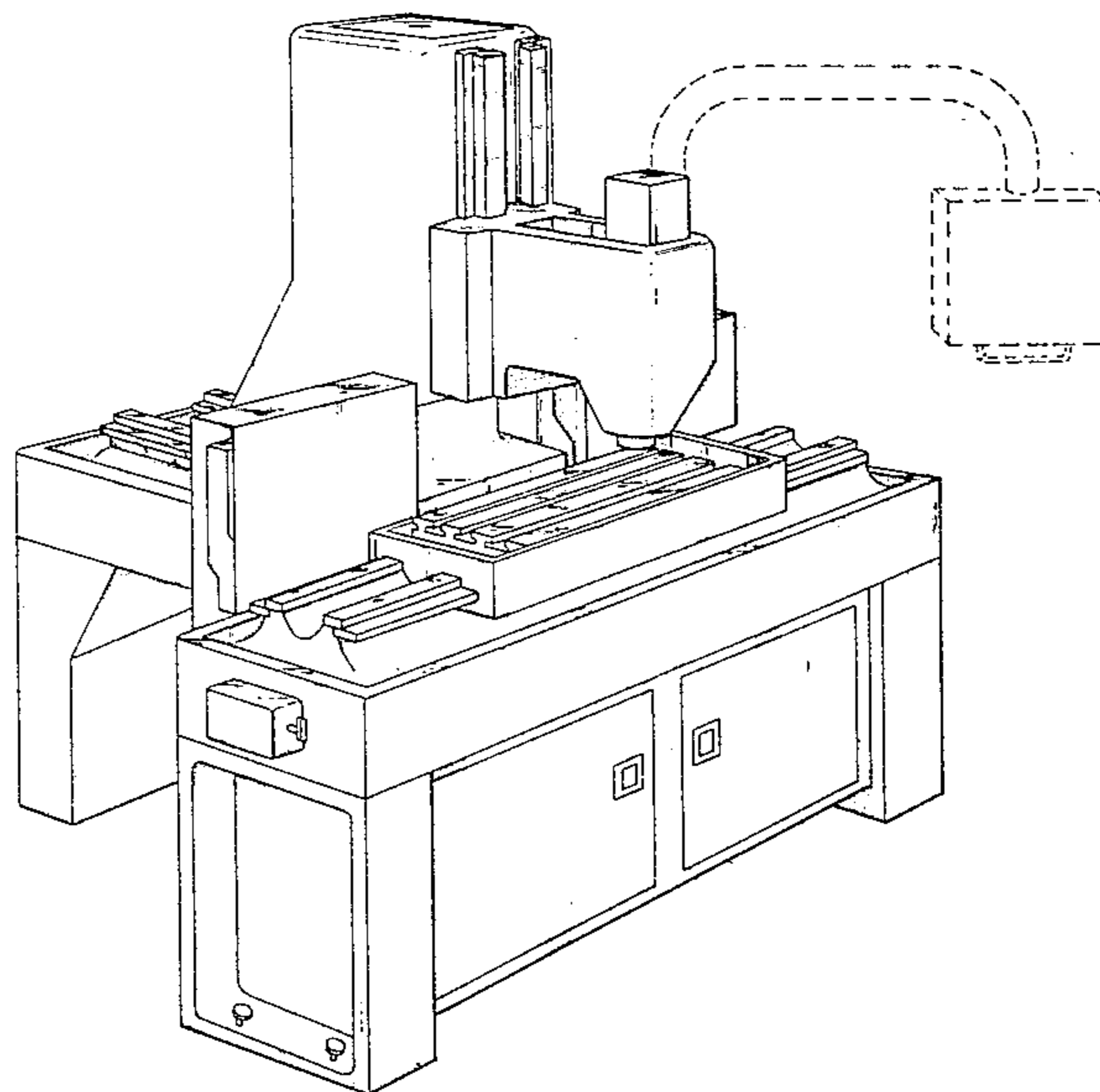
FIG. 9 is a front elevational view of FIG. 7.

FIG. 10 is a rear elevational view of FIG. 7.

FIG. 11 is a side elevational view taken from the right of FIG. 7.

FIG. 12 is a top plan view of FIG. 7.

The pendant-type control unit which is shown in broken lines is for illustrative purposes only.



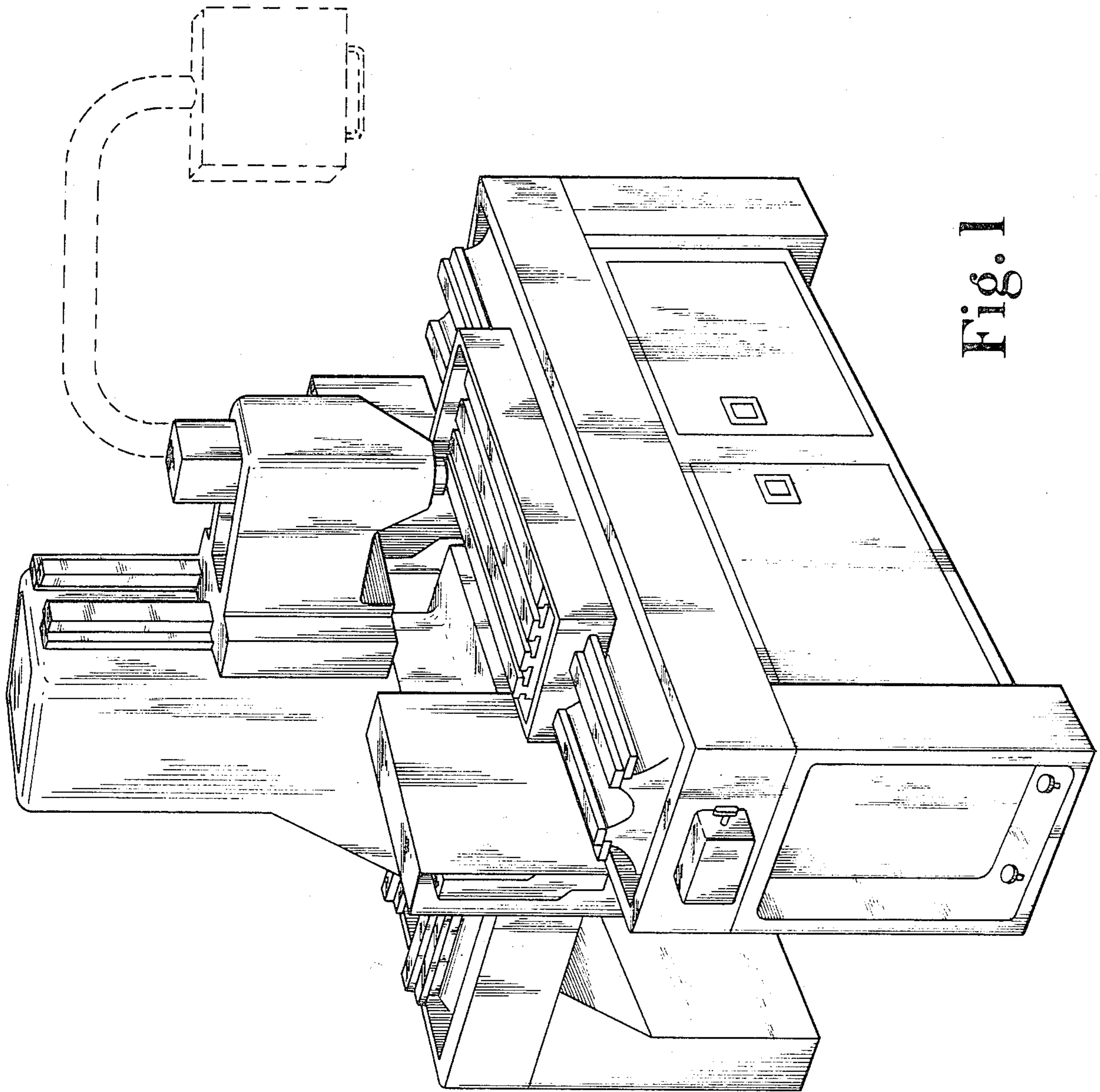


Fig. 1

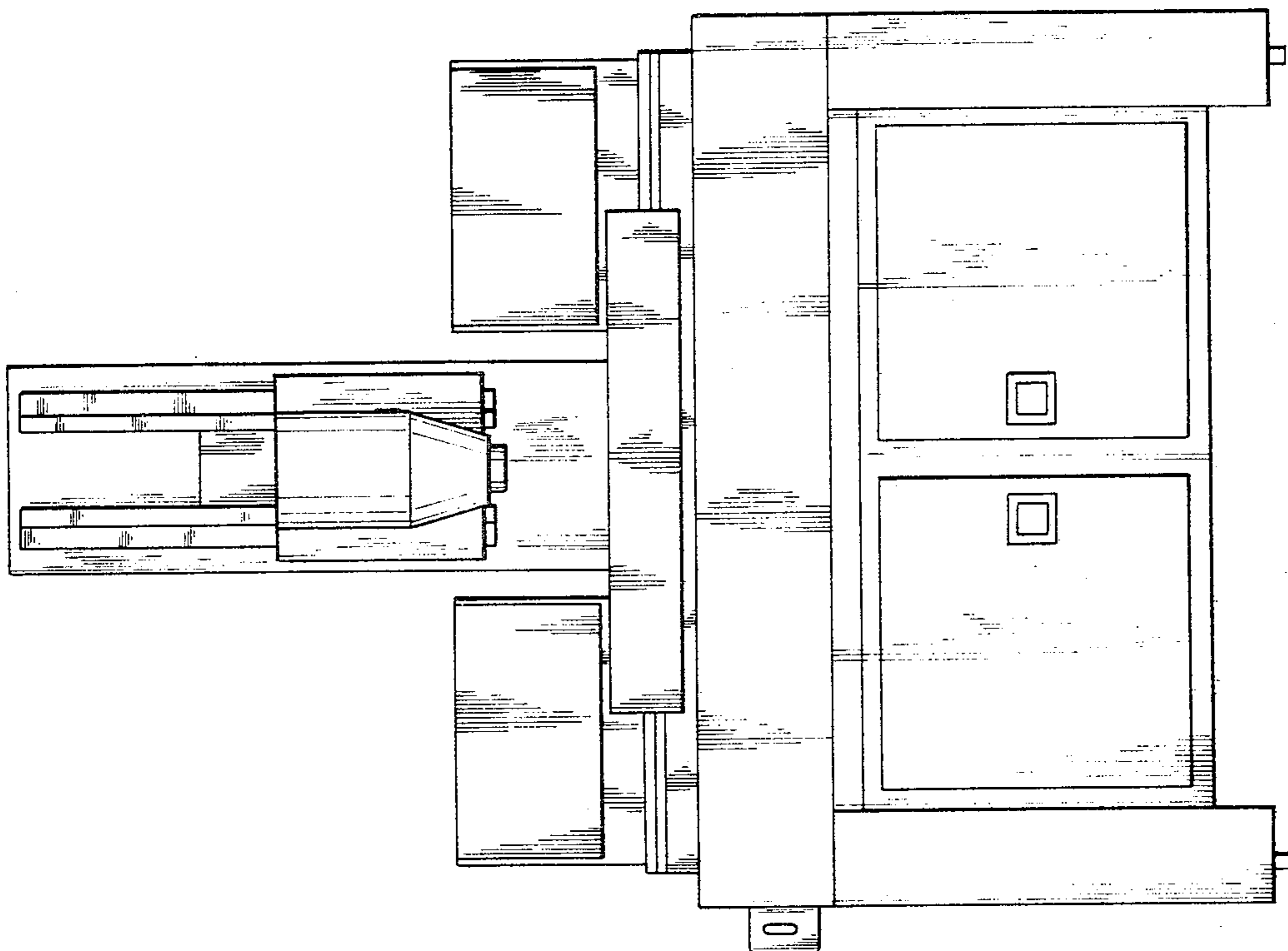


Fig. 3

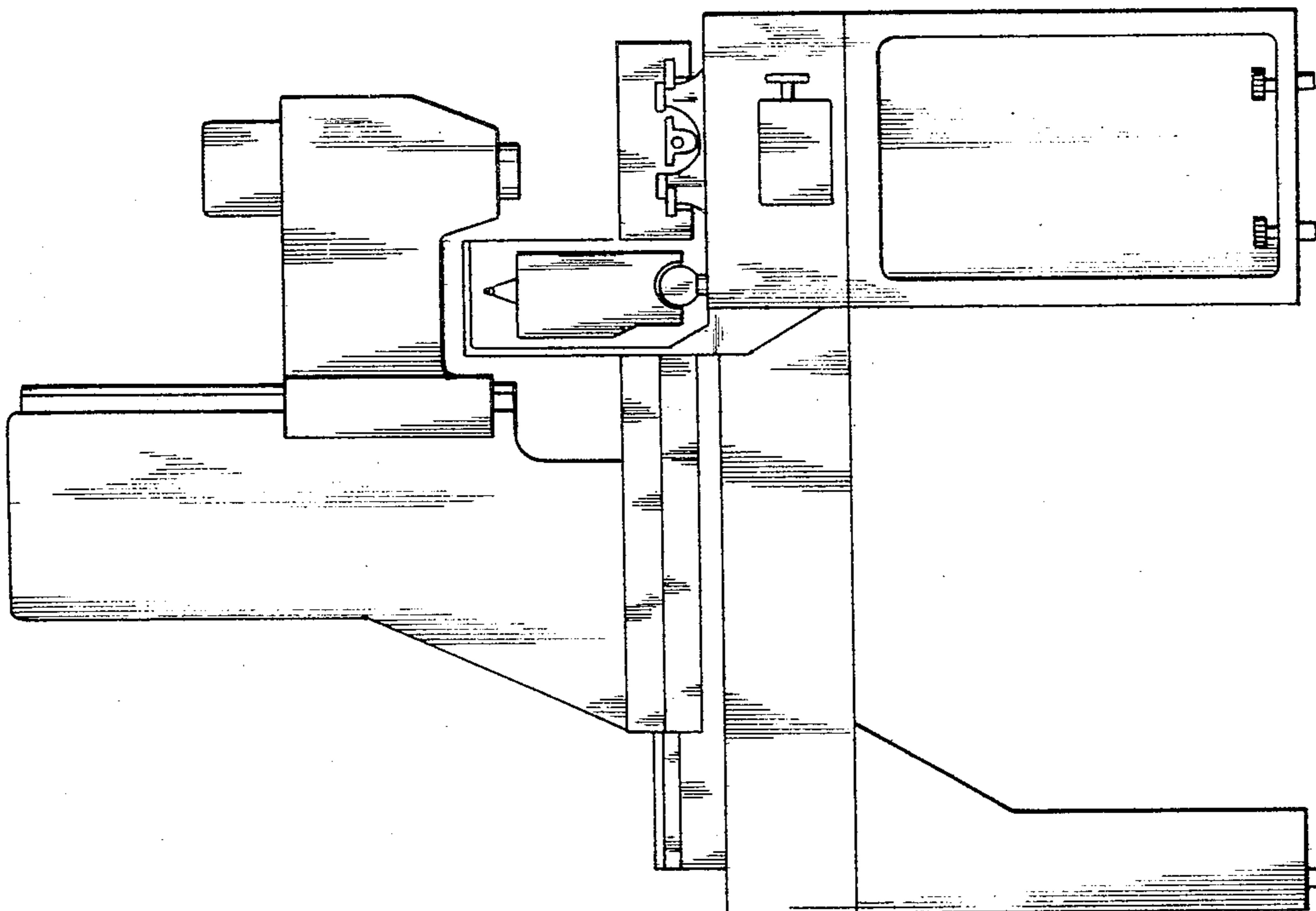


Fig. 2

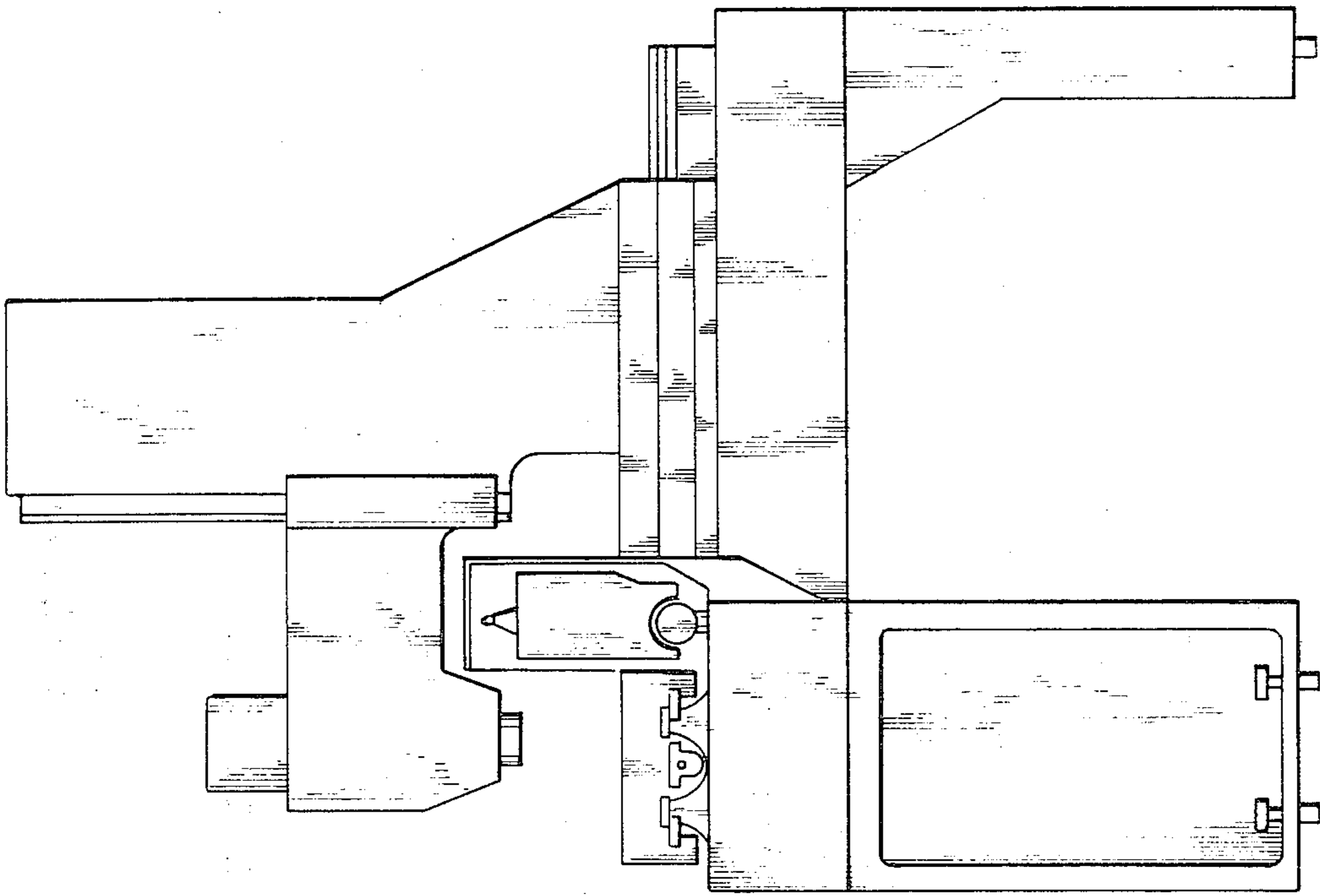


Fig. 5

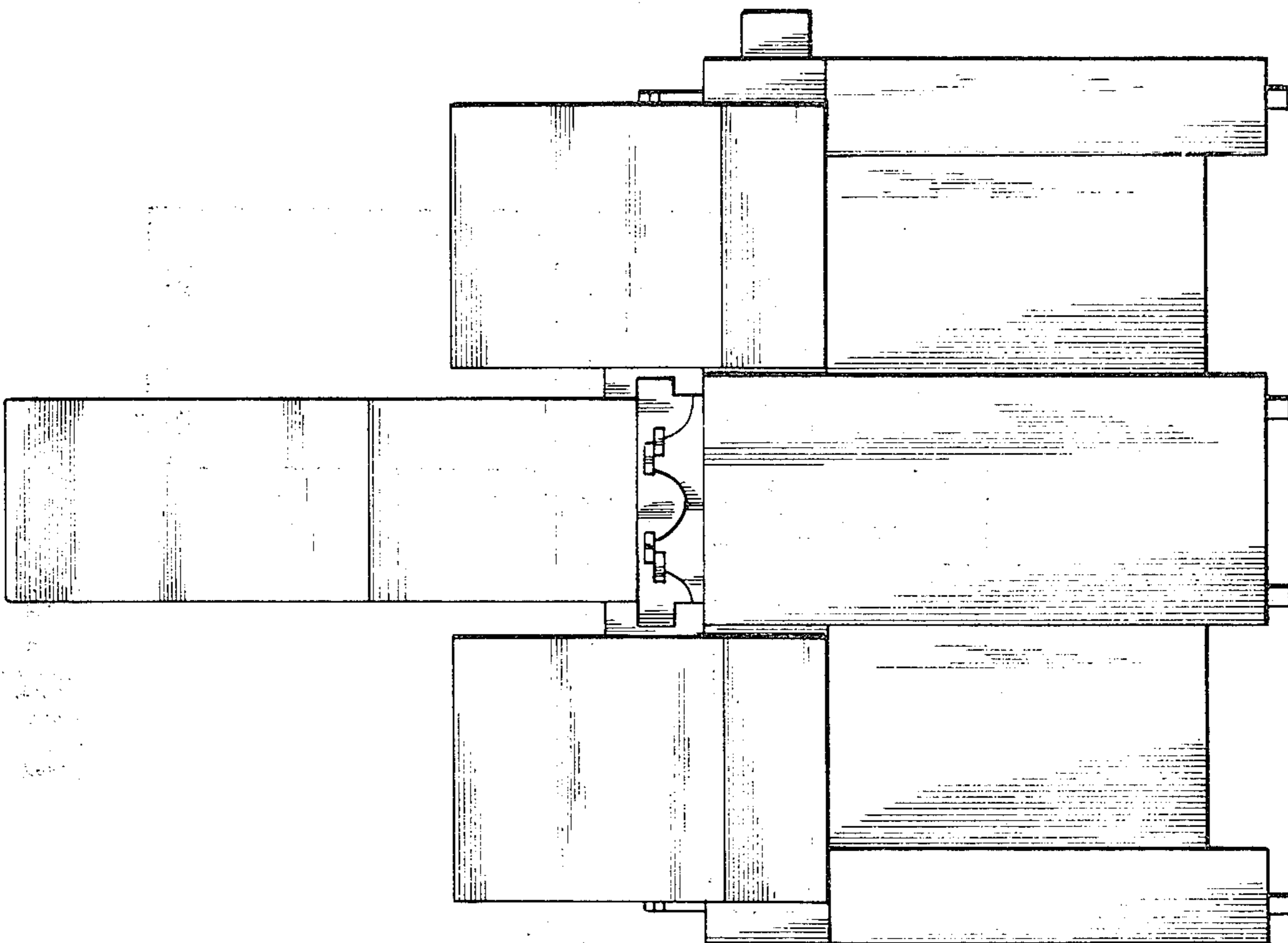


Fig. 4

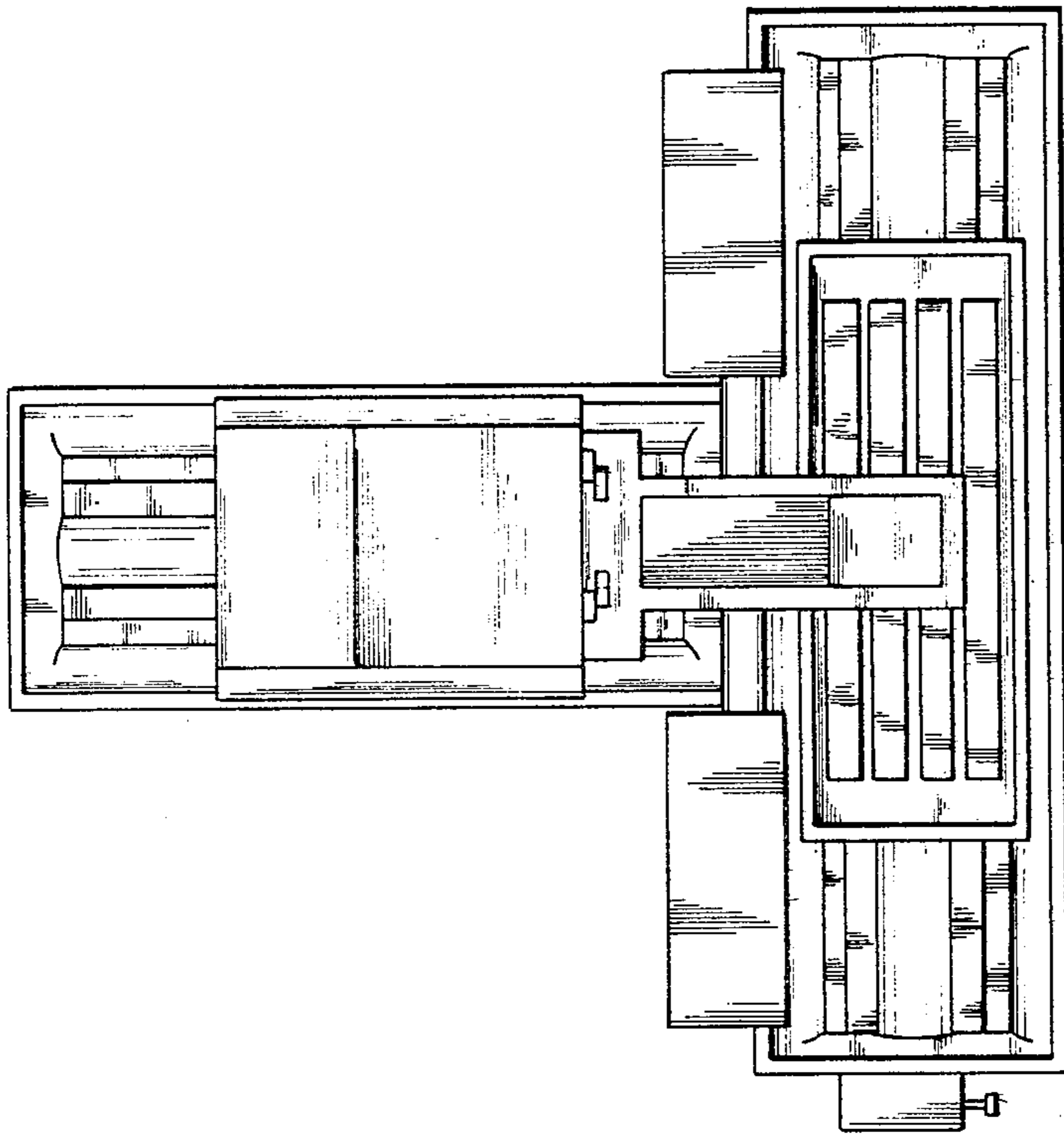


Fig. 6

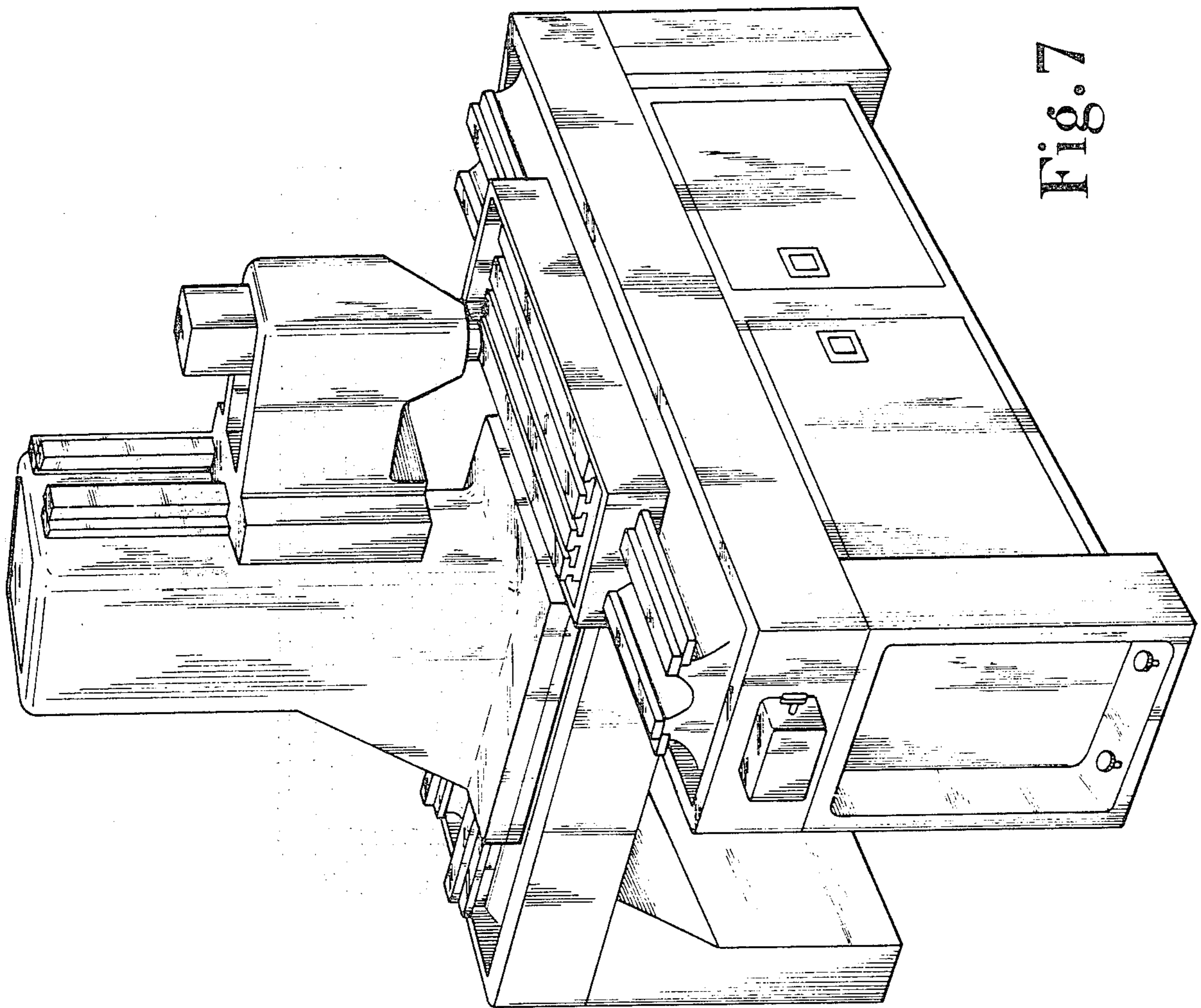


Fig. 7

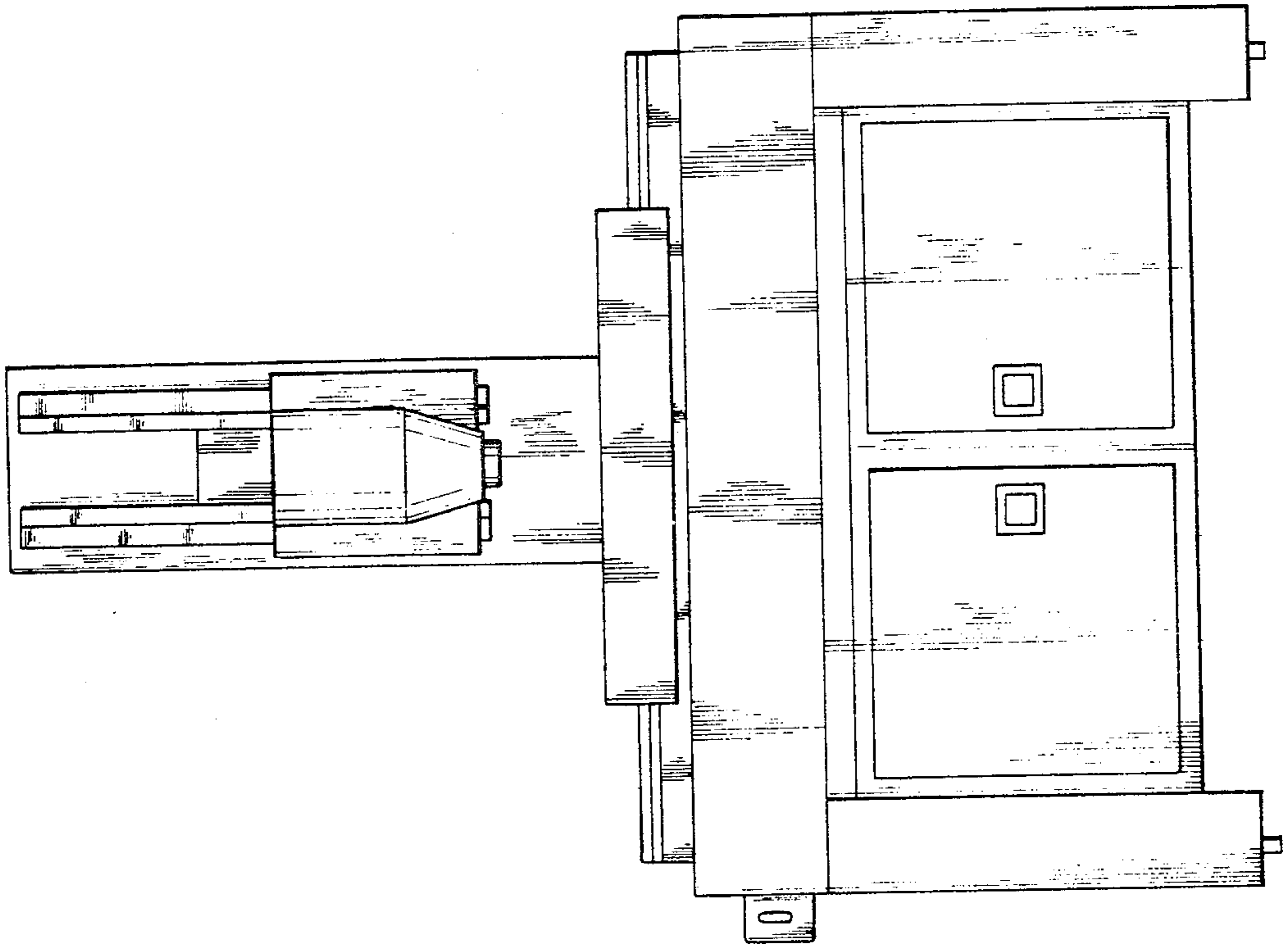


Fig. 9

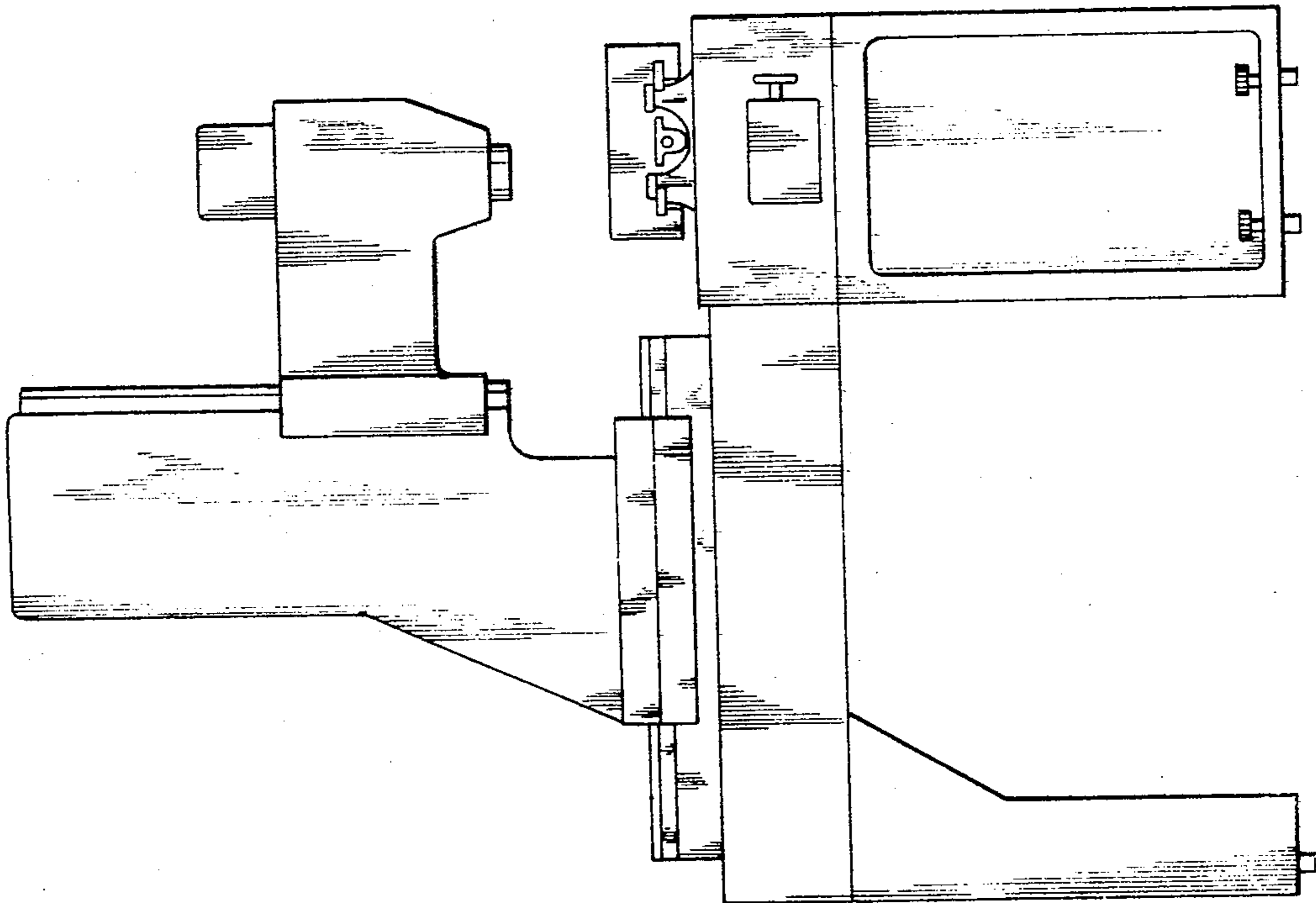


Fig. 8

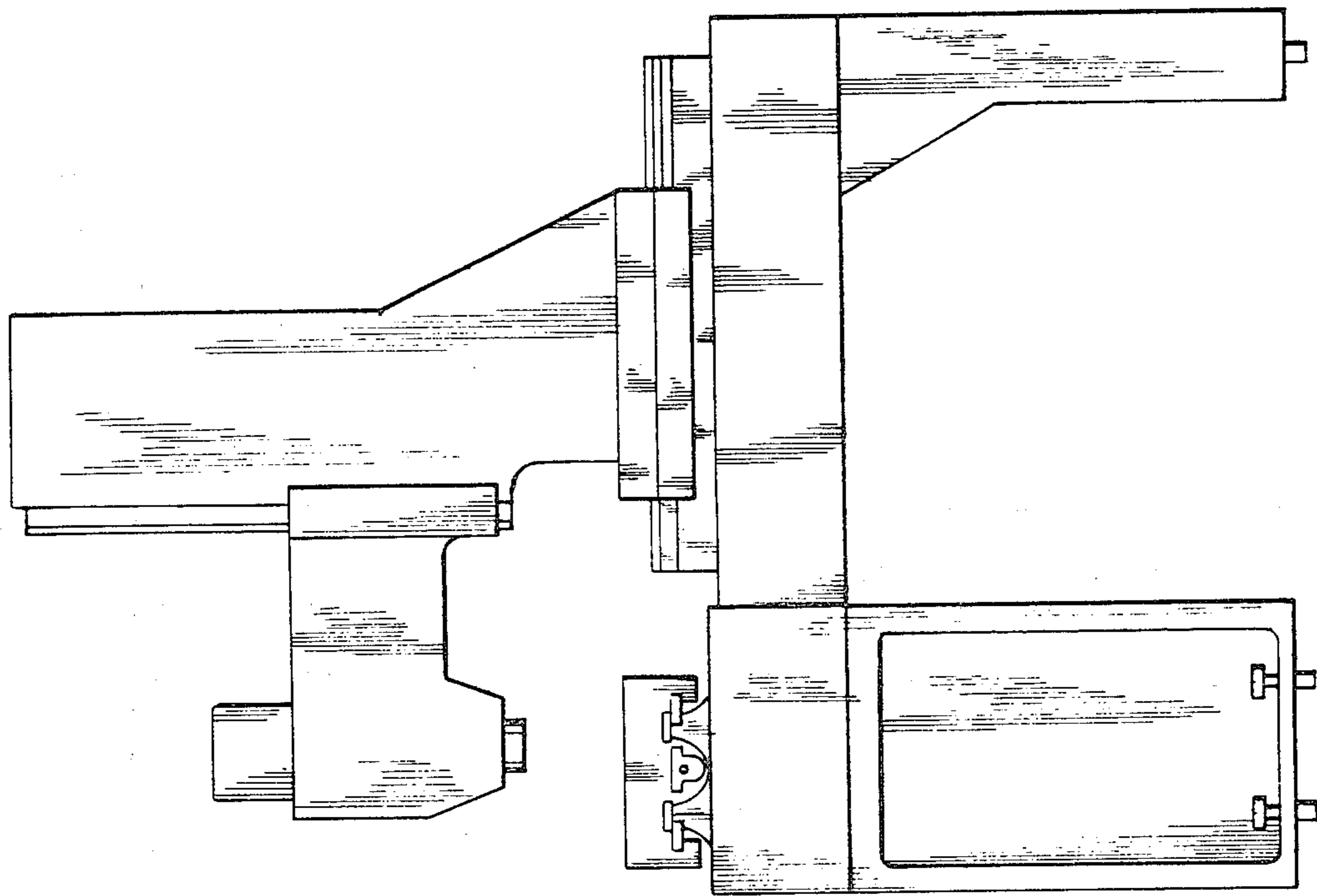


Fig. 11

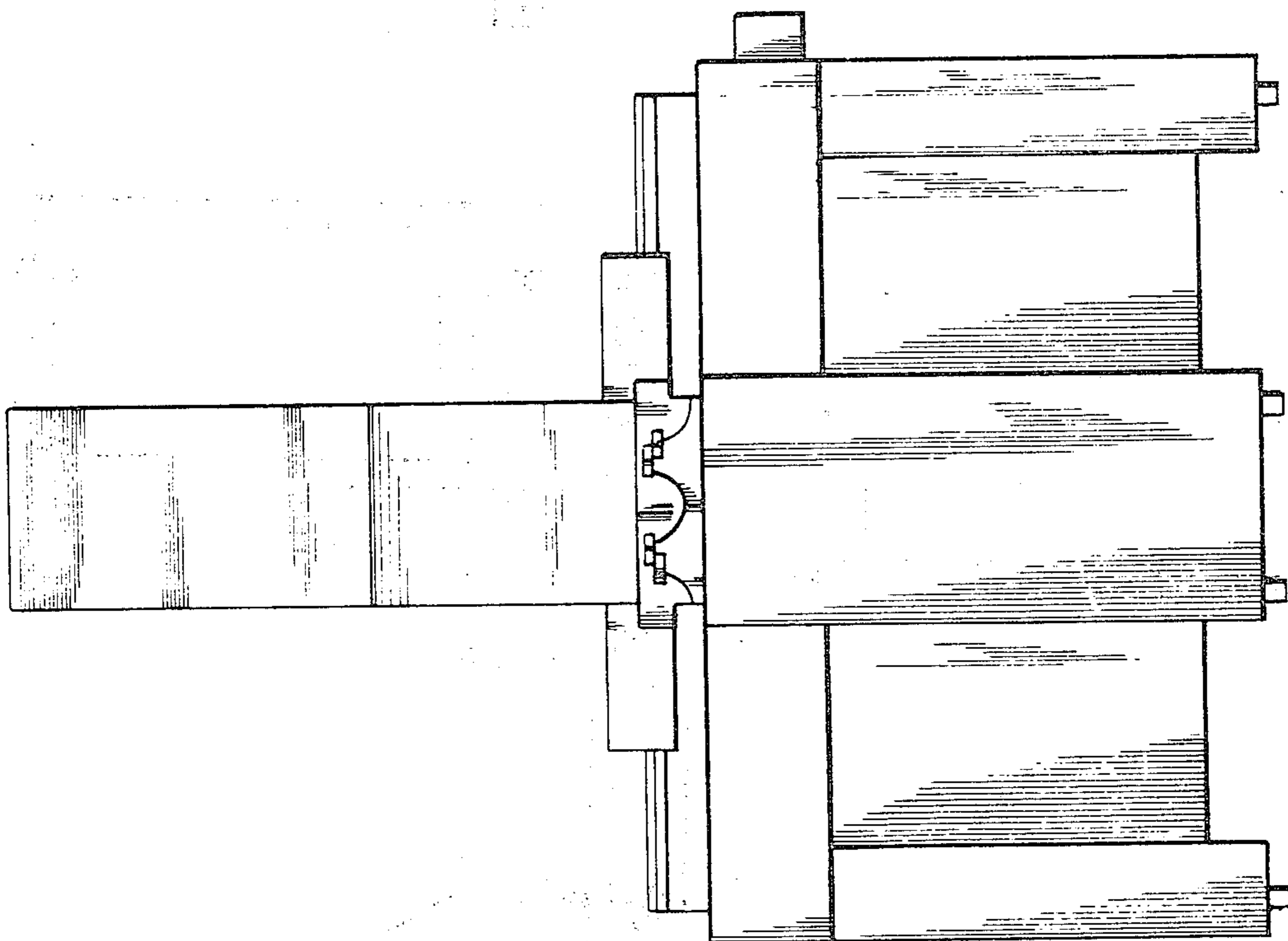


Fig. 10

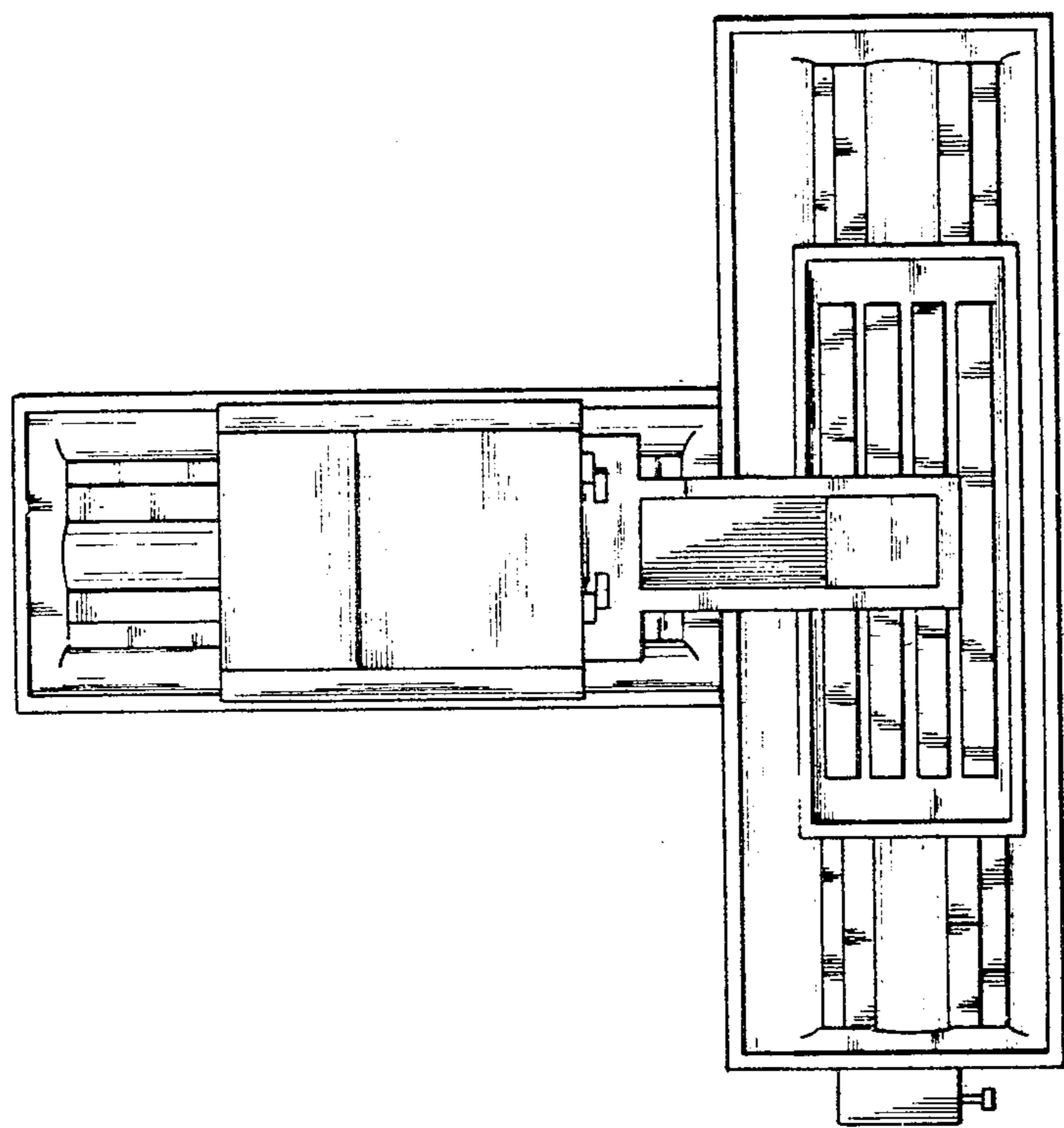


Fig. 12