

[54] READER FOR IMAGE INFORMATION
STORING/RETRIEVING MACHINE

3,600,557 8/1971 Zappia 235/470
3,752,391 8/1973 Leonard et al. D14/105 X
4,179,621 12/1979 Crean et al. 235/454 X

[75] Inventors: Kunio Hara, Chiba; Shigeki Yasutani,
Kashiwa, both of Japan

FOREIGN PATENT DOCUMENTS

557917 8/1981 Japan .

[73] Assignee: Tokyo Shibaura Denki Kabushiki
Kaisha, Japan

Primary Examiner—Susan J. Lucas
Attorney, Agent, or Firm—Finnegan, Henderson,
Farabow, Garrett & Dunner

[**] Term: 14 Years

[21] Appl. No.: 394,614

[57] CLAIM

[22] Filed: Jul. 2, 1982

The ornamental design for a reader for image informa-
tion storing/retrieving machine, substantially as shown
and described.

[30] Foreign Application Priority Data

DESCRIPTION

Jan. 7, 1982 [JP] Japan 57-00087

[52] U.S. Cl. D14/107

[58] Field of Search D14/100-116;
235/435, 454, 470, 471, 475, 479; 250/566, 568,
569, 239

FIG. 1 is front, top and right side perspective view of a
reader for image information storing/retrieving ma-
chine showing our new design;

FIG. 2 is a front elevational view thereof;

FIG. 3 is a right side elevational view thereof, the oppo-
site side being a mirror image;

FIG. 4 is a top plan view thereof; and

FIG. 5 is a rear elevational view thereof.

[56] References Cited

U.S. PATENT DOCUMENTS

D. 222,471 10/1971 Shebanow et al. D14/107

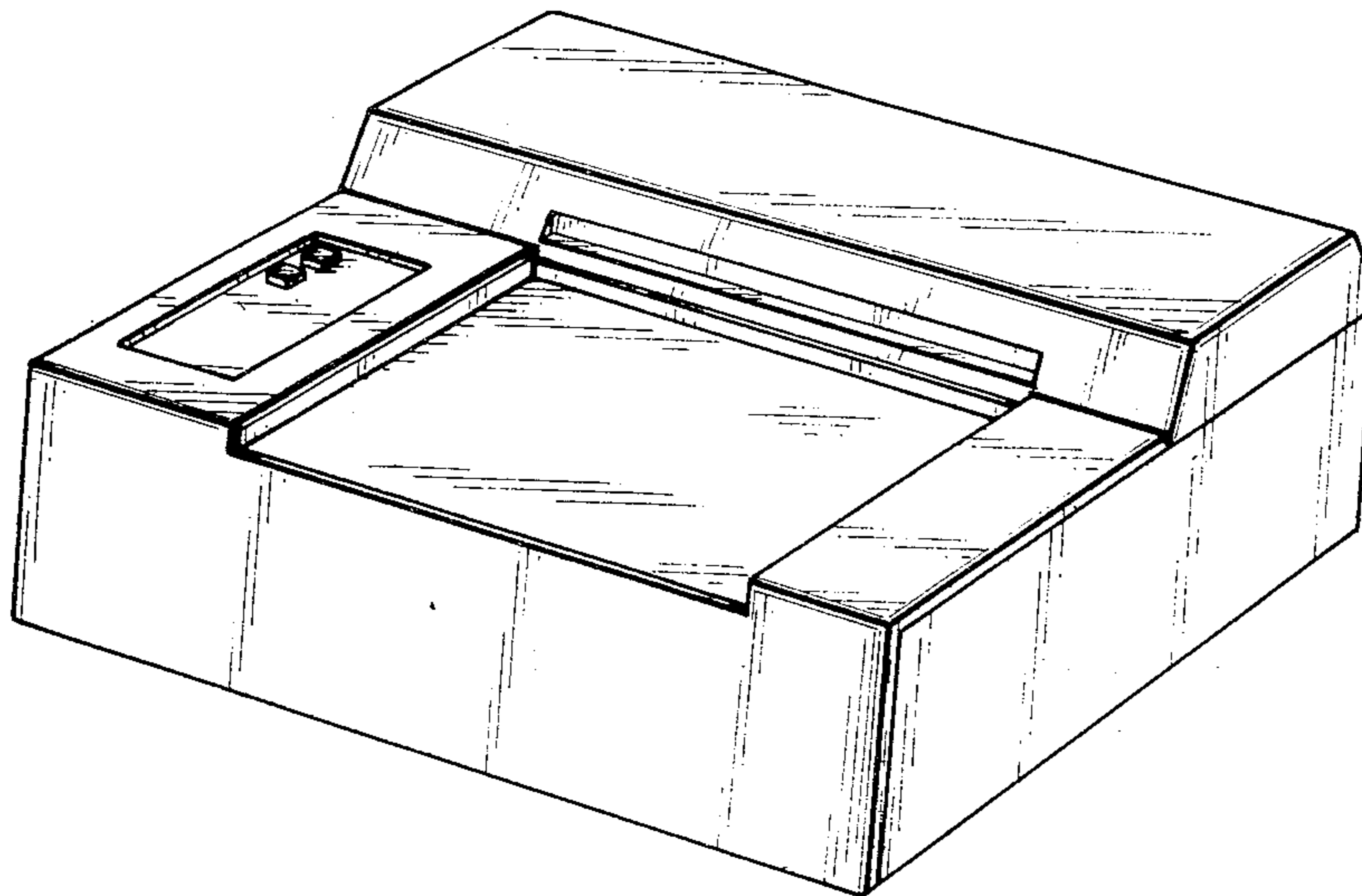


FIG. 1

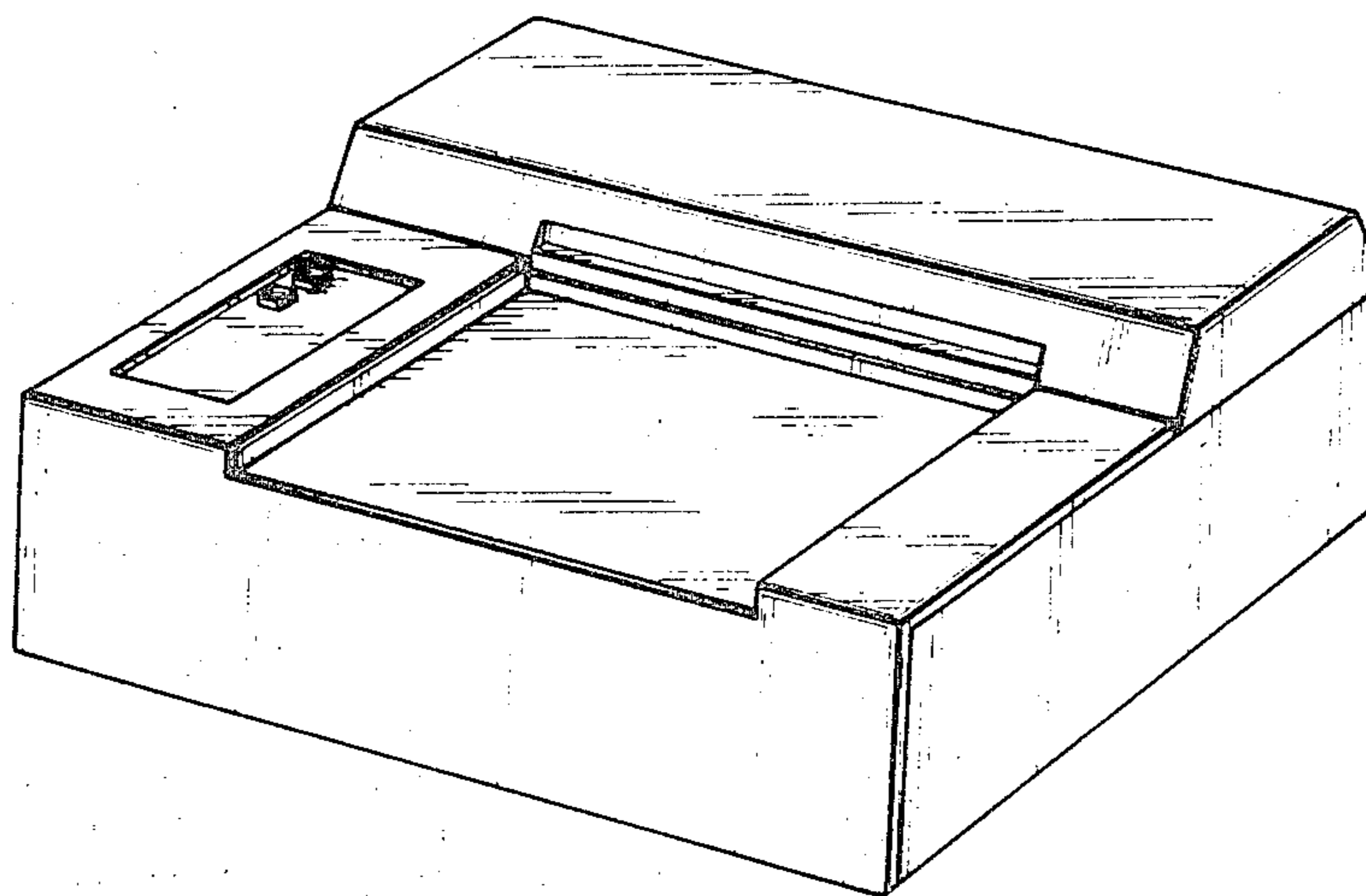


FIG. 2

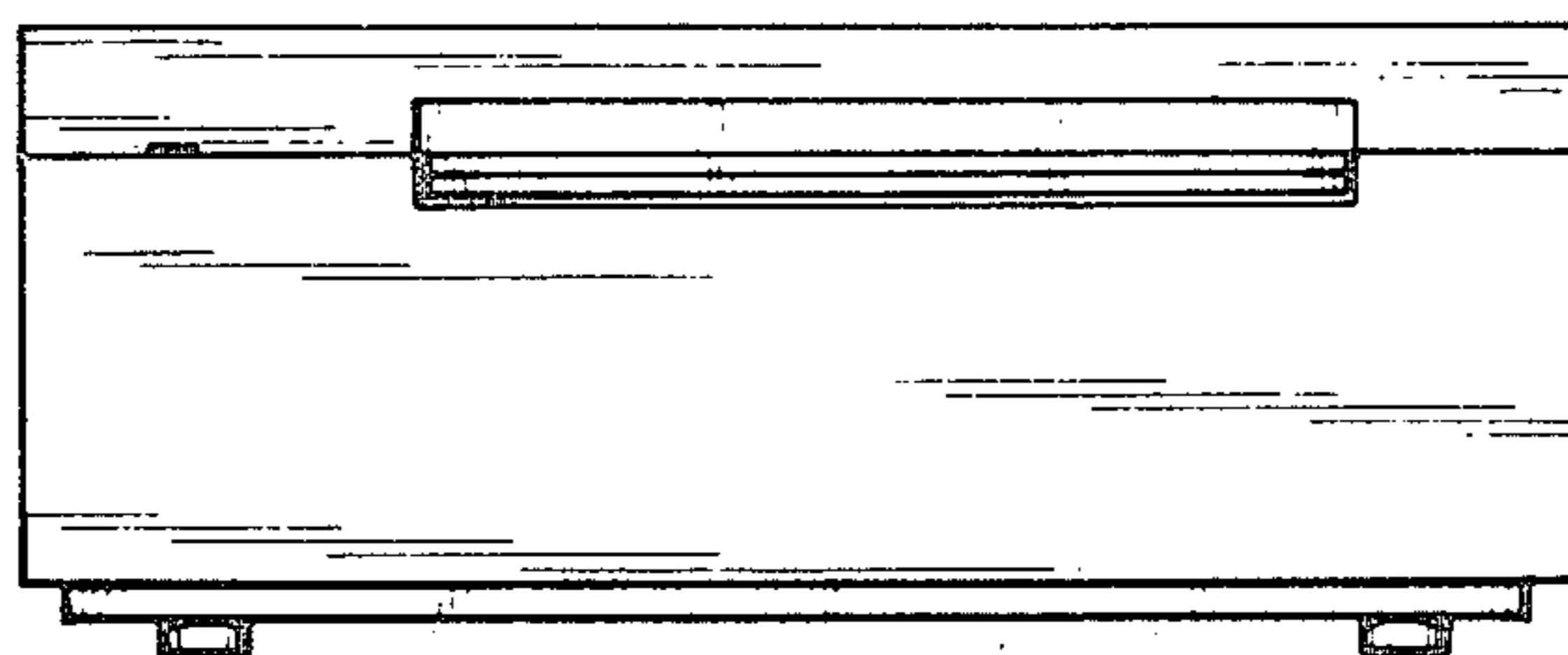


FIG. 3

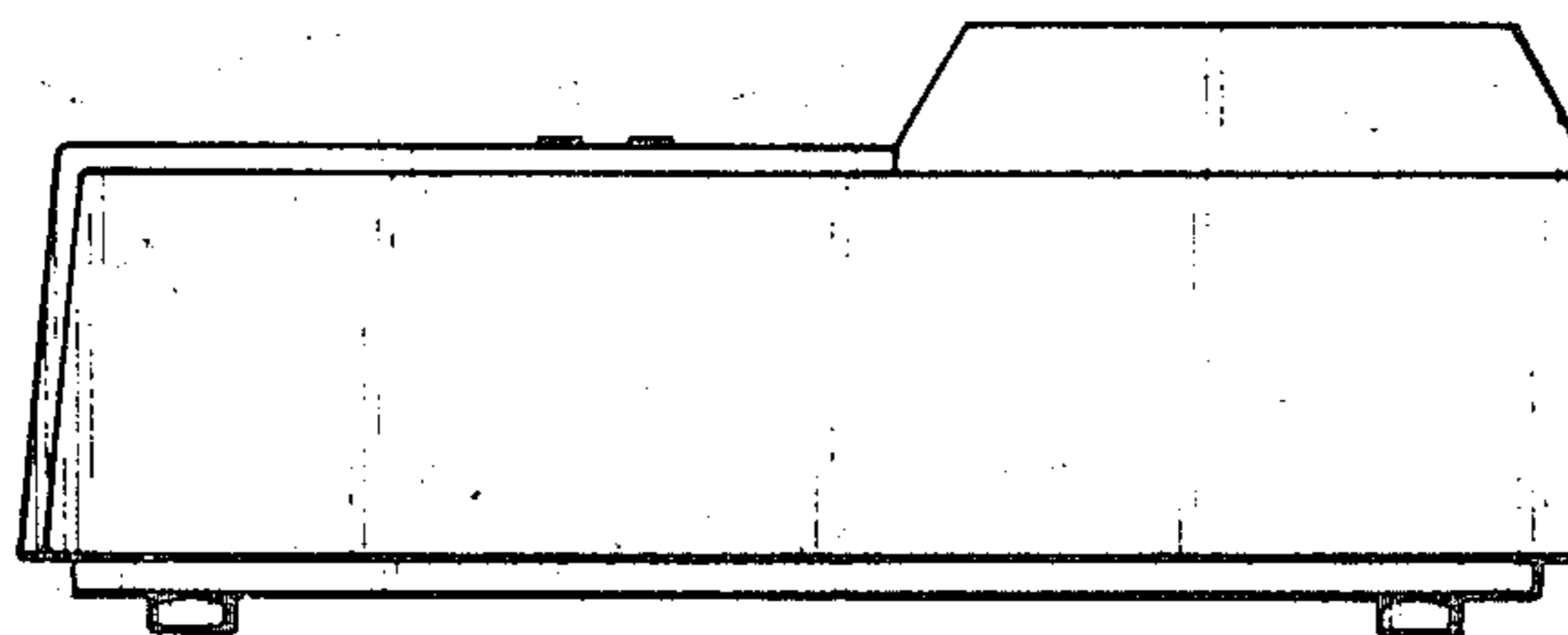


FIG. 4

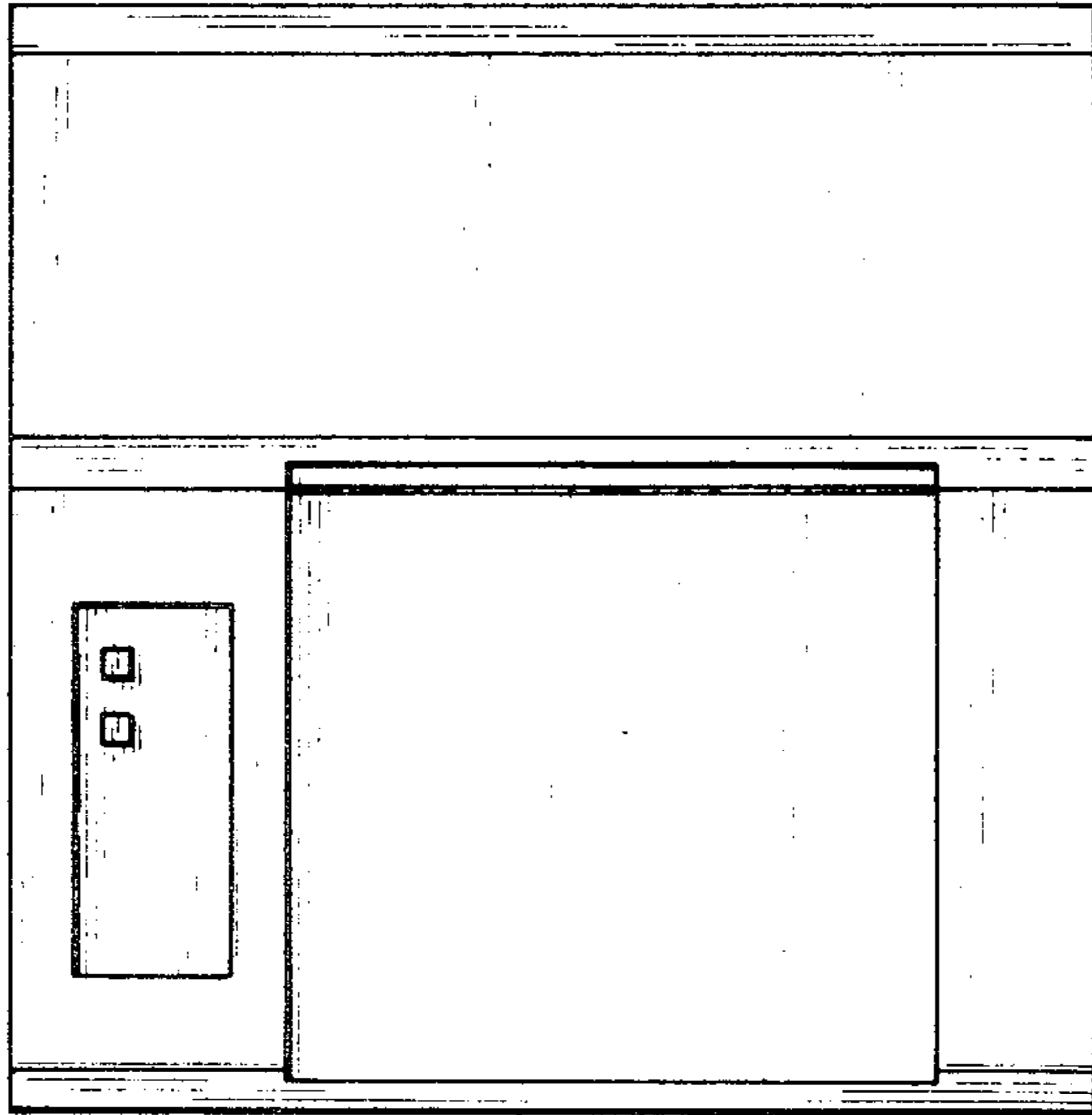


FIG. 5

