

[54] RECEIVER FRONT PANEL ASSEMBLY

[75] Inventors: Hari Matsuda, Evanston; Anthony J. Cascarano, Lake Forest; Charles M. Schwimmer, Chicago, all of Ill.

[73] Assignee: International Jensen Incorporated, Schiller Park, Ill.

[\*\*] Term: 14 Years

[21] Appl. No.: 384,402

[22] Filed: Jun. 2, 1982

[52] U.S. Cl. .... D14/76; D14/1; D14/79; D14/84; 455/344; 455/347

[58] Field of Search ..... D14/1, 2, 6, 10, 14, D14/25, 68, 72-76, 77, 79, 96, 99, 84; 455/344, 347, 349

[56] References Cited

U.S. PATENT DOCUMENTS

D. 272,623 2/1984 Aoijs ..... D14/73

OTHER PUBLICATIONS

Stereo Review, 4-81, p. 67, Sony VT-X10 TV Tuner.  
Stereo Review, 5-81, p. 47, Sony ST-J75 FM Tuner.

Primary Examiner—Jane E. Corrigan  
Attorney, Agent, or Firm—Willian, Brinks, Olds, Hofer, Gilson & Lione Ltd.

[57] CLAIM

The ornamental design for a receiver front panel assembly, substantially as shown and described.

DESCRIPTION

FIG. 1 is a front, top and left side perspective view of receiver front panel assembly showing our new design as adapted for an audio-video receiver, with the broken line structure being purely environmental and forming no part of the claimed design;

FIG. 2 is a front elevational view thereof;

FIG. 3 is a right side elevational view thereof;

FIG. 4 is a left side elevational view thereof;

FIG. 5 is a top plan view thereof; and

FIG. 6 is a bottom plan view thereof.

FIG. 7 is a view similar to that of FIG. 1 of a second embodiment of a receiver front panel assembly showing our new design as adapted for an audio receiver;

FIG. 8 is a front elevational view thereof;

FIG. 9 is a right side elevational view thereof;

FIG. 10 is a left side elevational view thereof;

FIG. 11 is a top plan view thereof; and

FIG. 12 is a bottom plan view thereof.

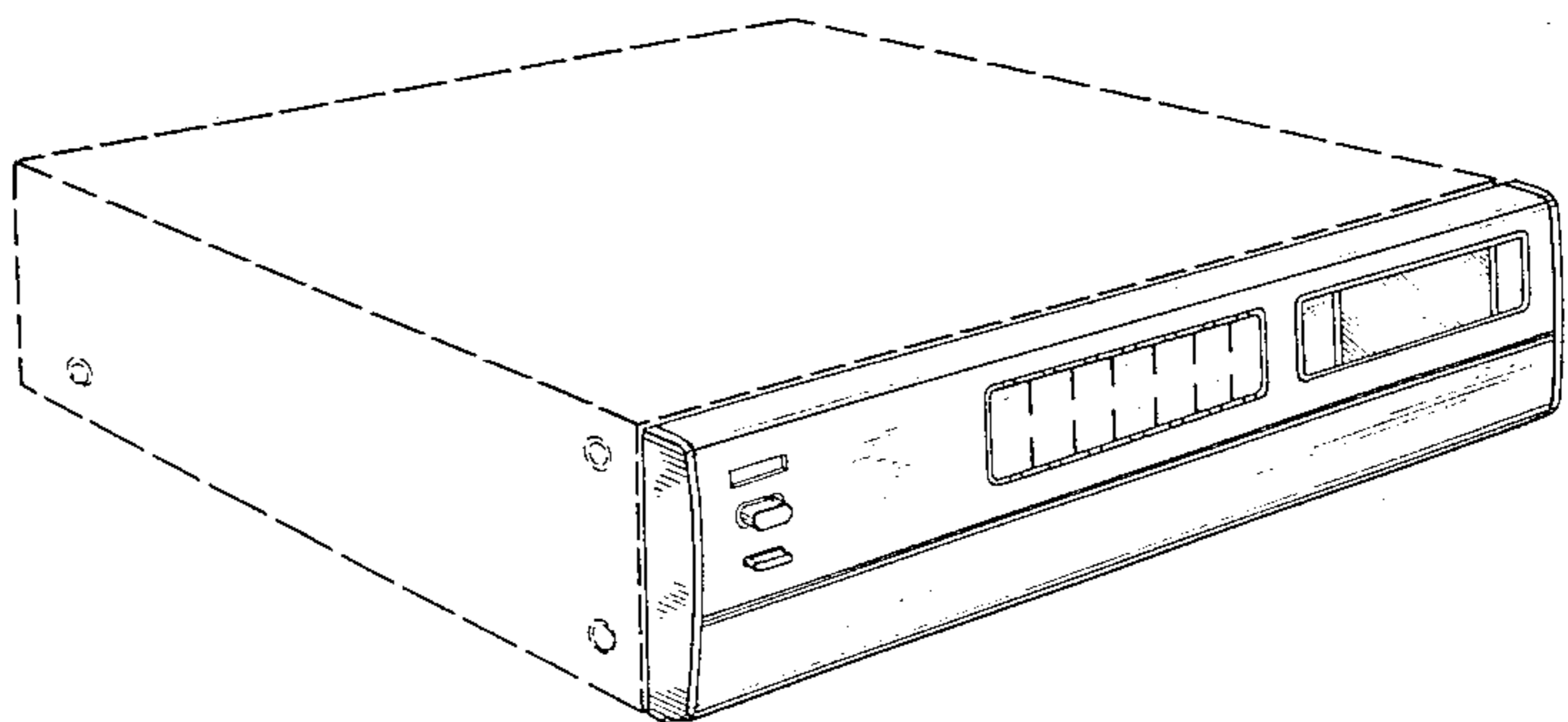
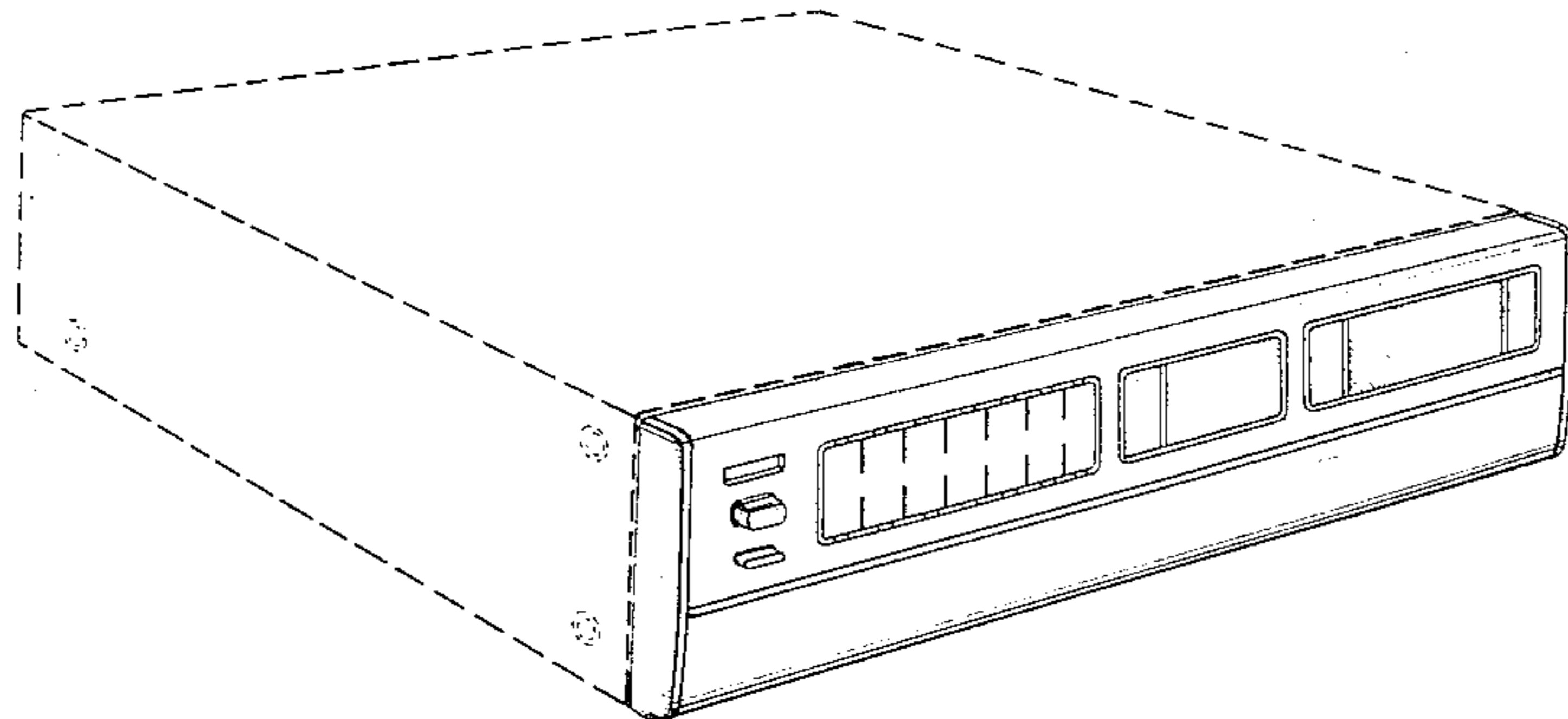


FIG. 1

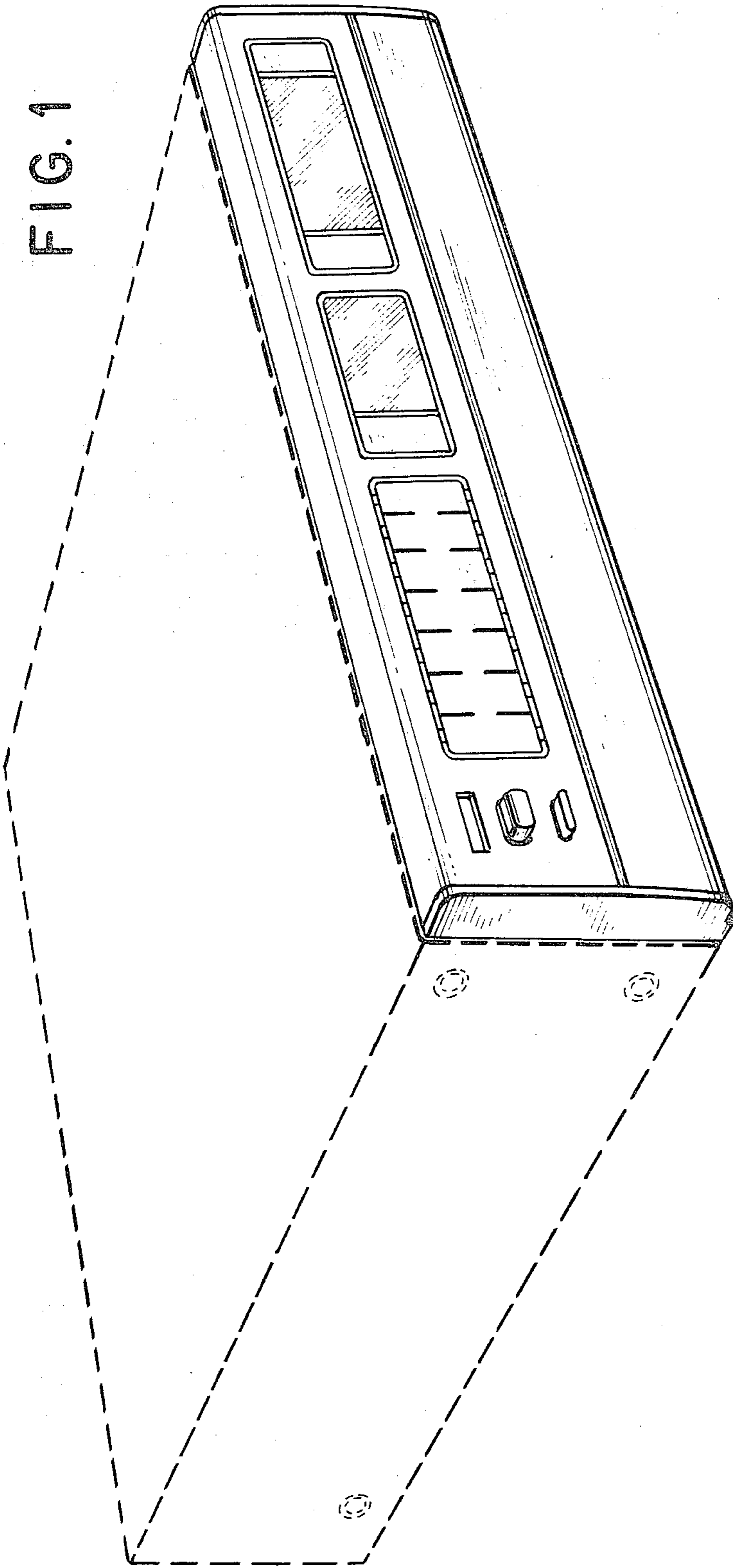


FIG. 4

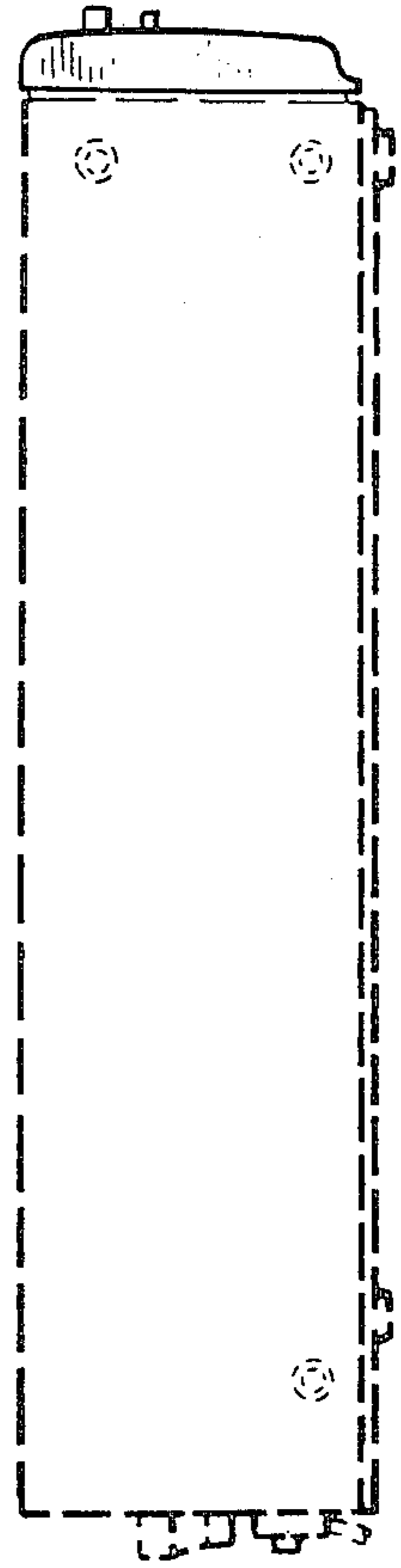


FIG. 2

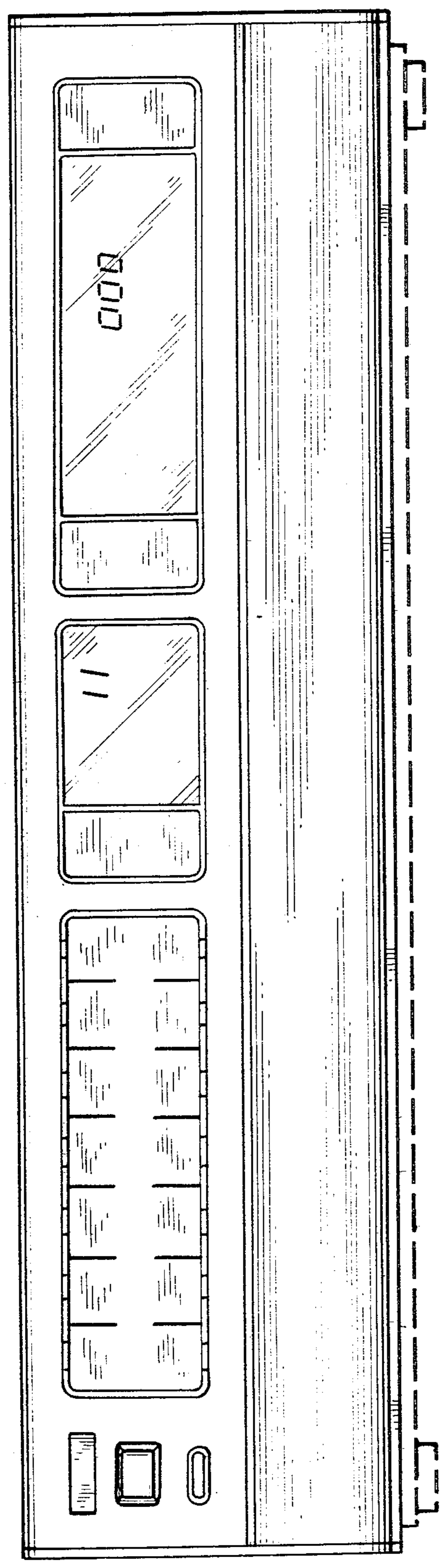
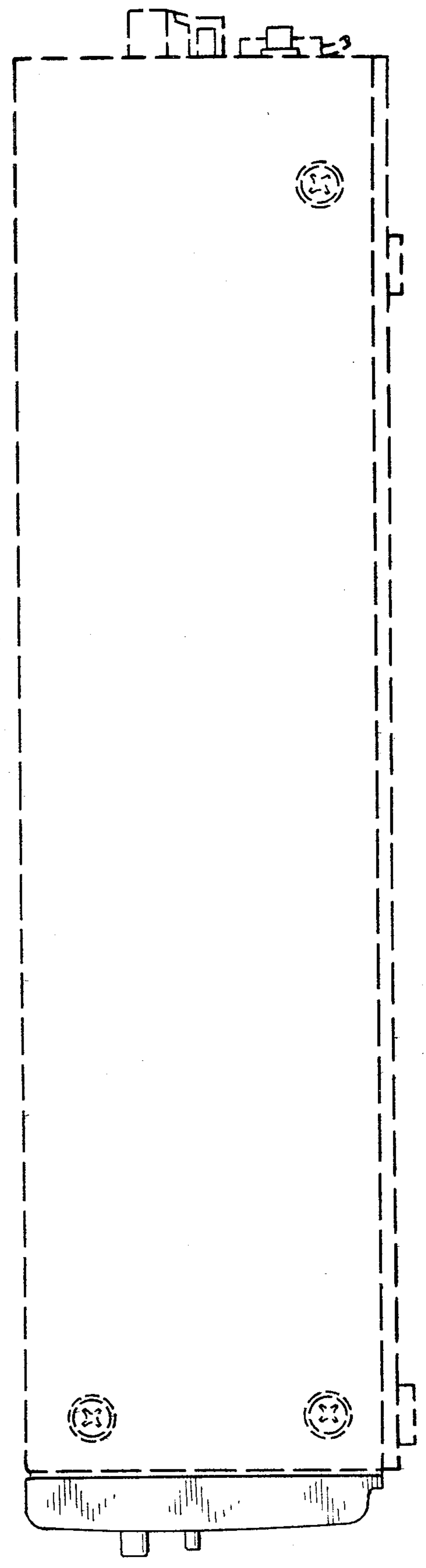


FIG. 3



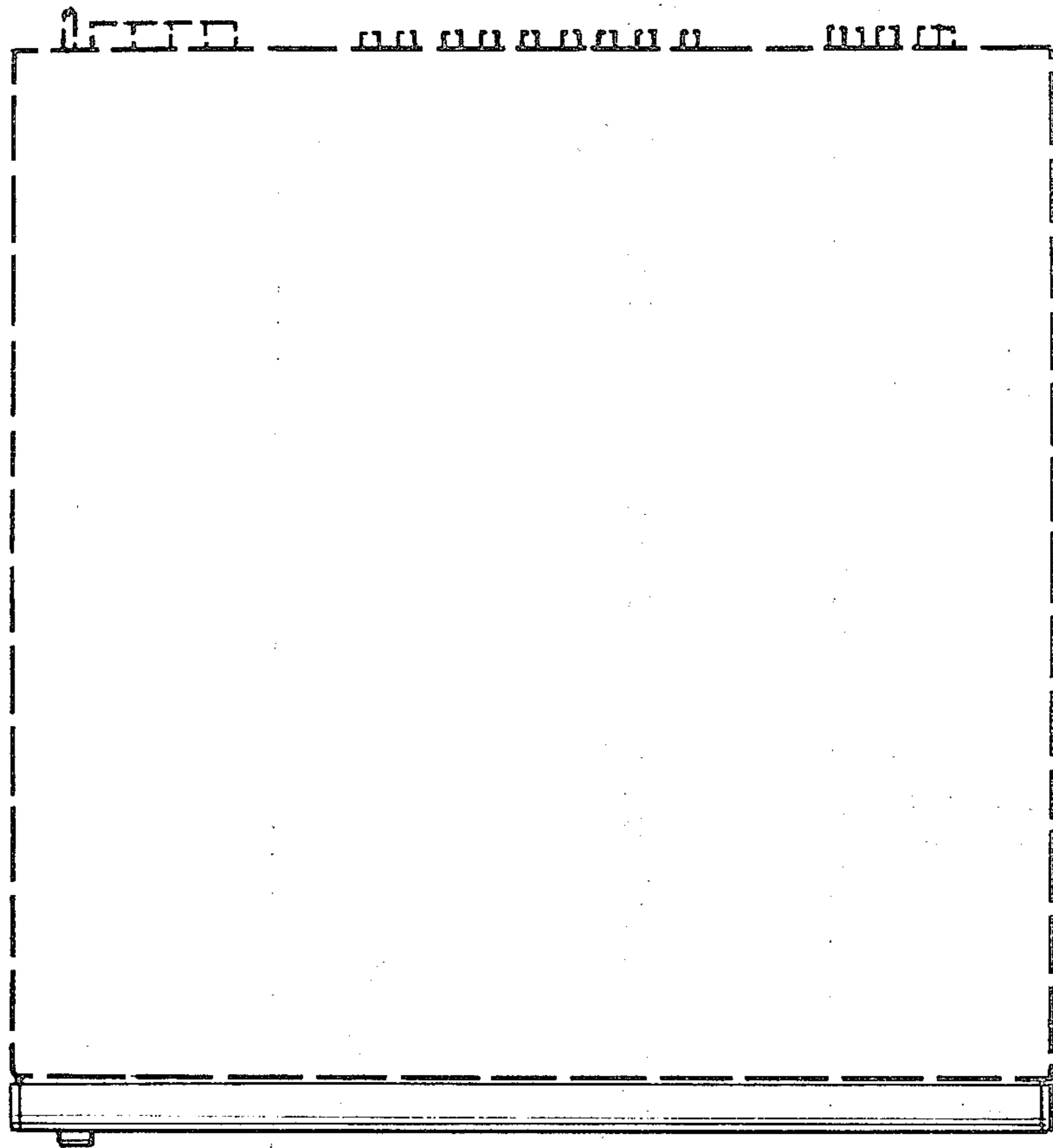


FIG. 5

FIG. 6

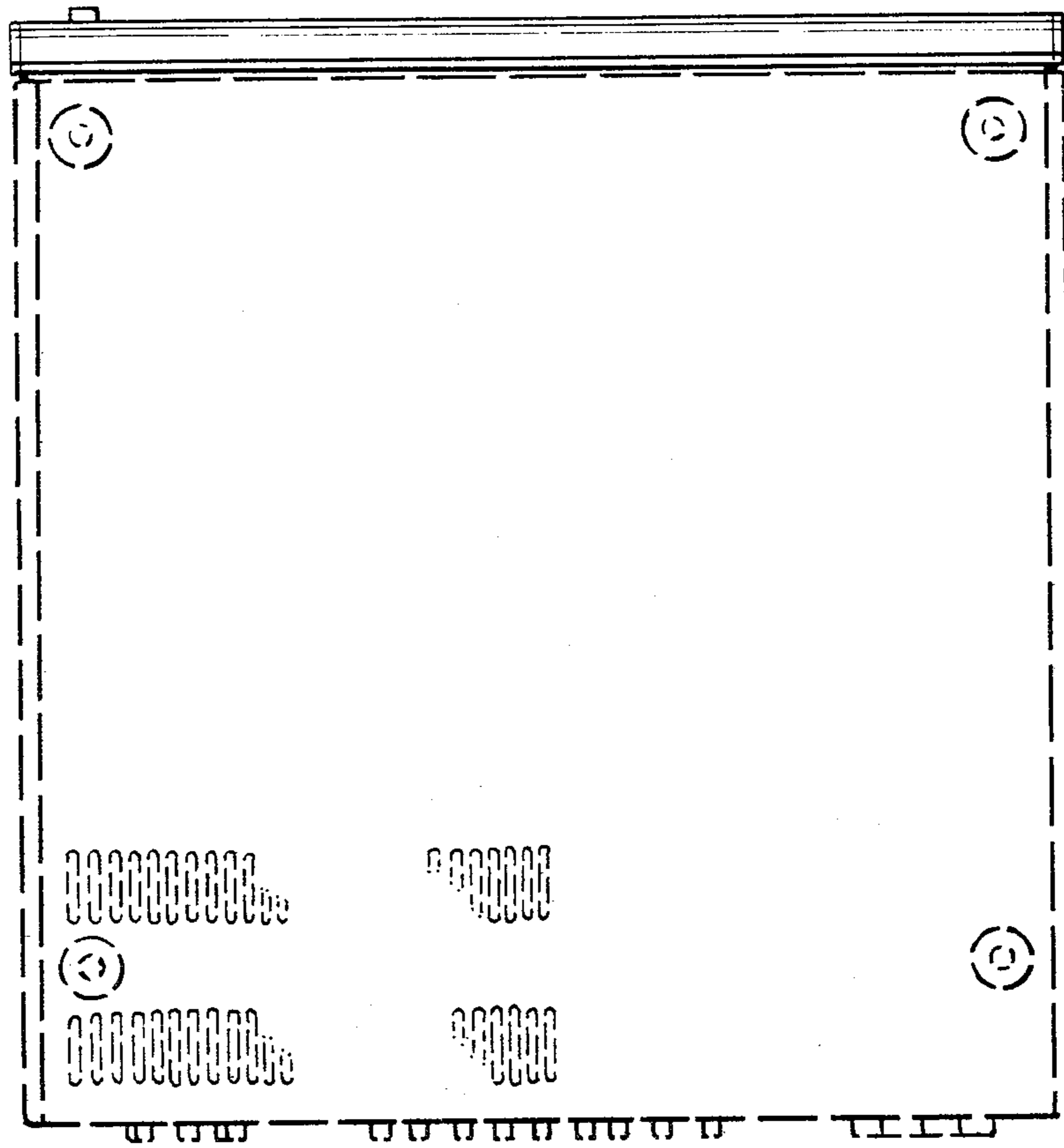




FIG. 7

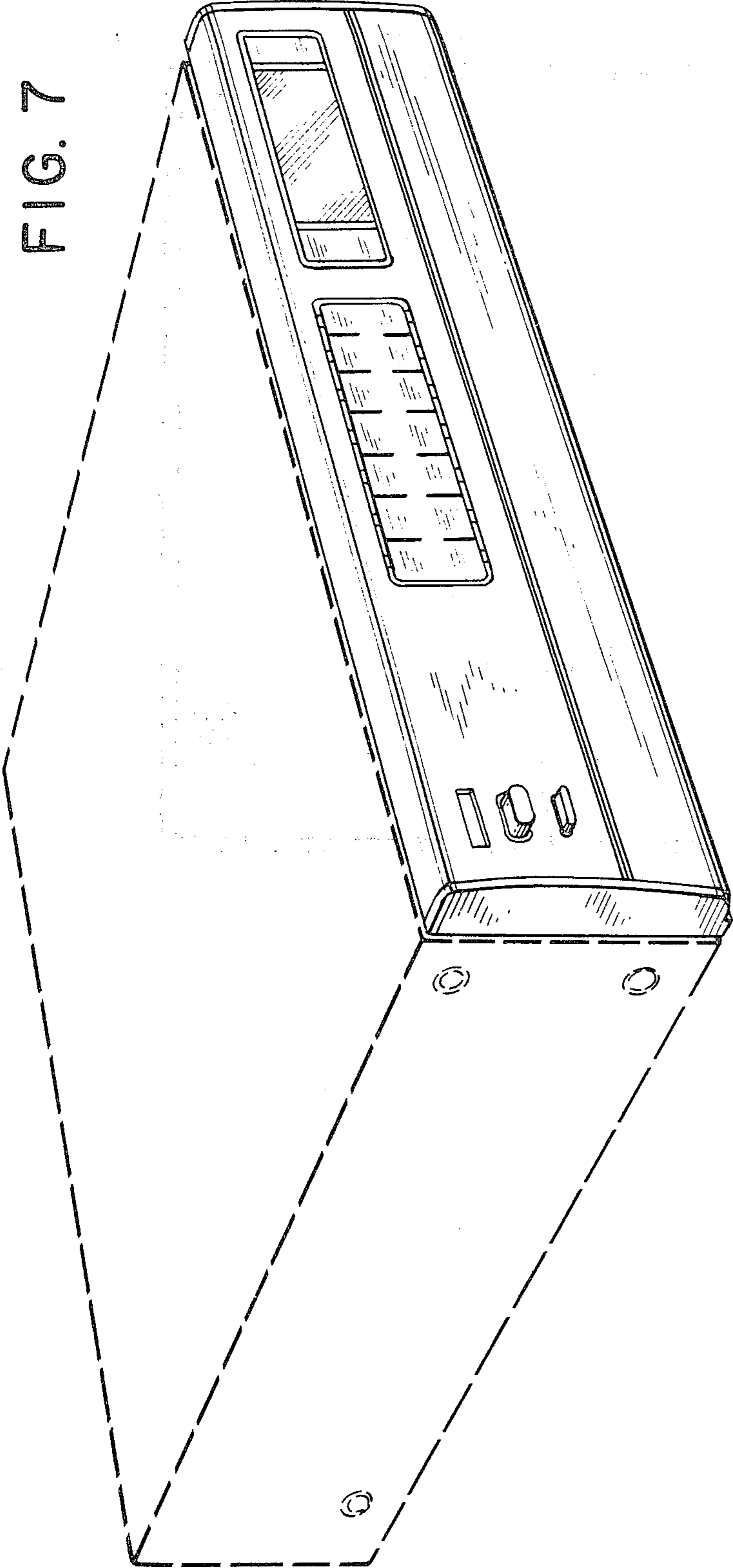


FIG. 10

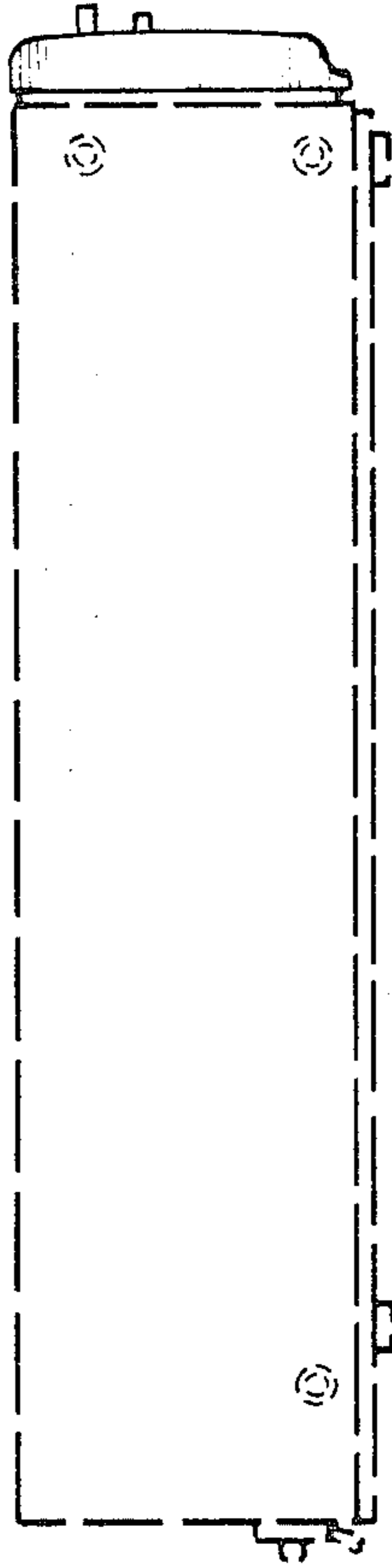


FIG. 8

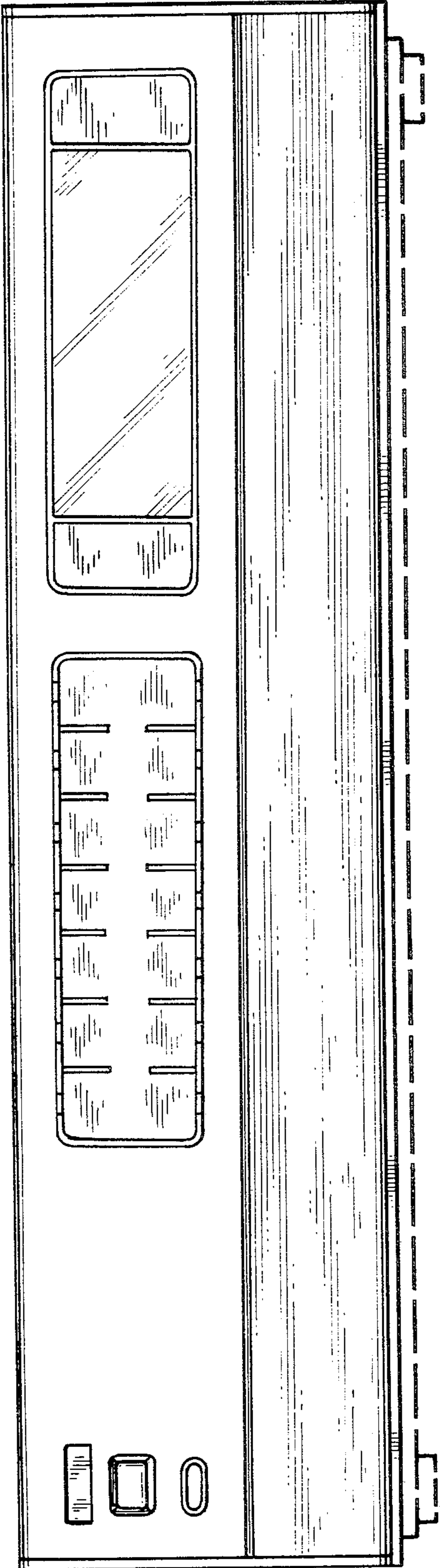
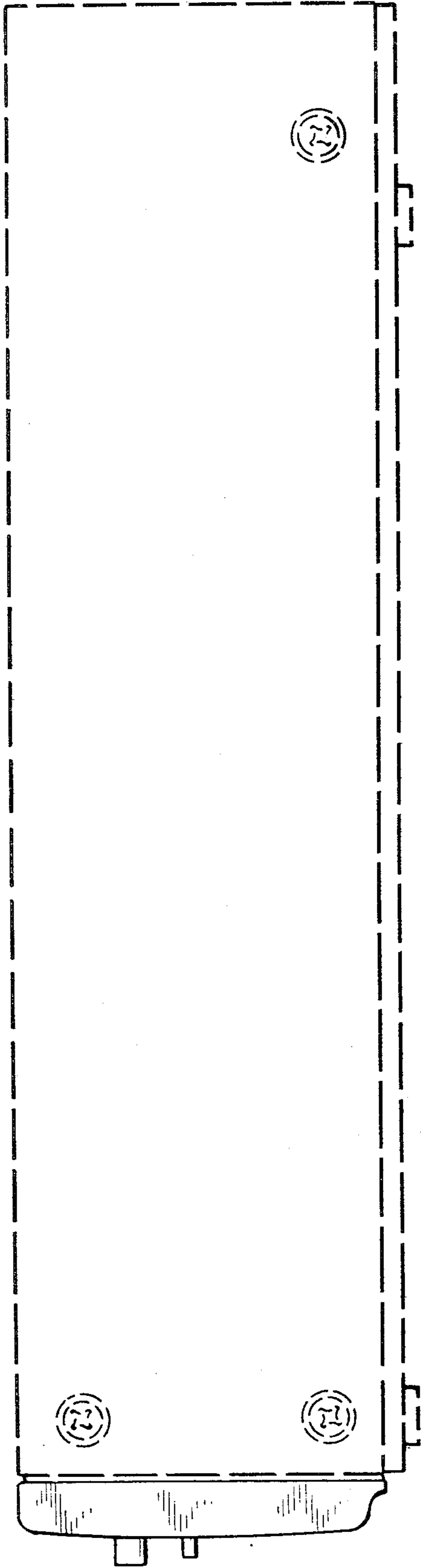


FIG. 9



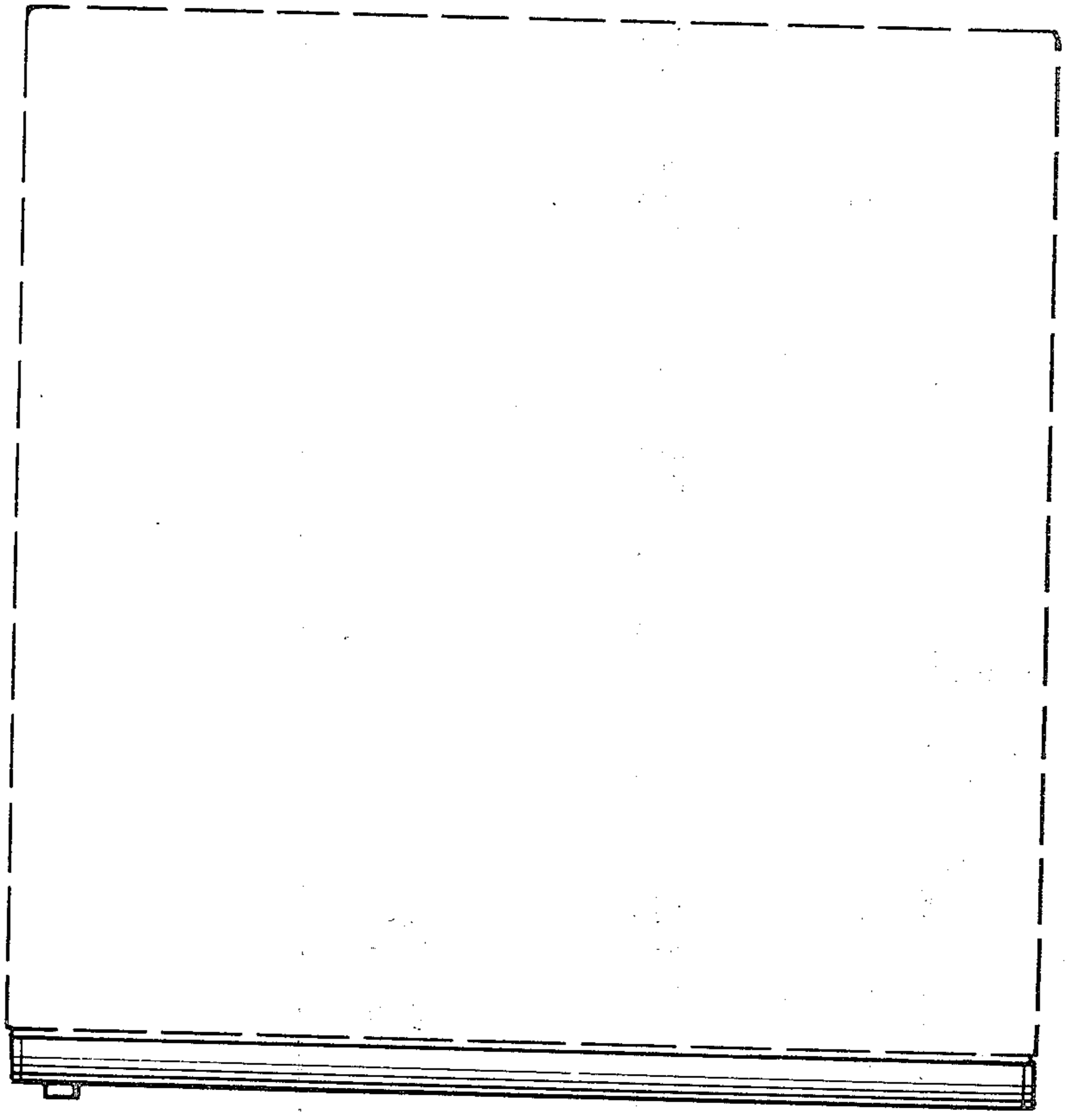


FIG. 11



FIG. 12

