

[54] PORTABLE RADIO RECEIVER

[75] Inventor: Dieudonne G. Aoijs, Hong Kong, Hong Kong

[73] Assignee: U.S. Philips Corporation, New York, N.Y.

[\*\*] Term: 14 Years

[21] Appl. No.: 401,054

[22] Filed: Jul. 22, 1982

[30] Foreign Application Priority Data

Feb. 2, 1982 [GB] United Kingdom ..... 1004912

[52] U.S. Cl. .... D14/71; D14/68; D14/70

[58] Field of Search ..... D14/1, 2, 5, 6, 68, D14/70-76

[56] References Cited

U.S. PATENT DOCUMENTS

D. 234,030 12/1974 Kawamura ..... D14/70

- D. 260,890 9/1981 Nakjima et al. .... D14/68
- D. 266,166 9/1982 Hamada et al. .... D17/73 X
- D. 273,010 3/1984 Hamada et al. .... D14/68

OTHER PUBLICATIONS

*Retailing Home Furnishings*, 3-29-82, p. 48, Sony ad, middle left item.

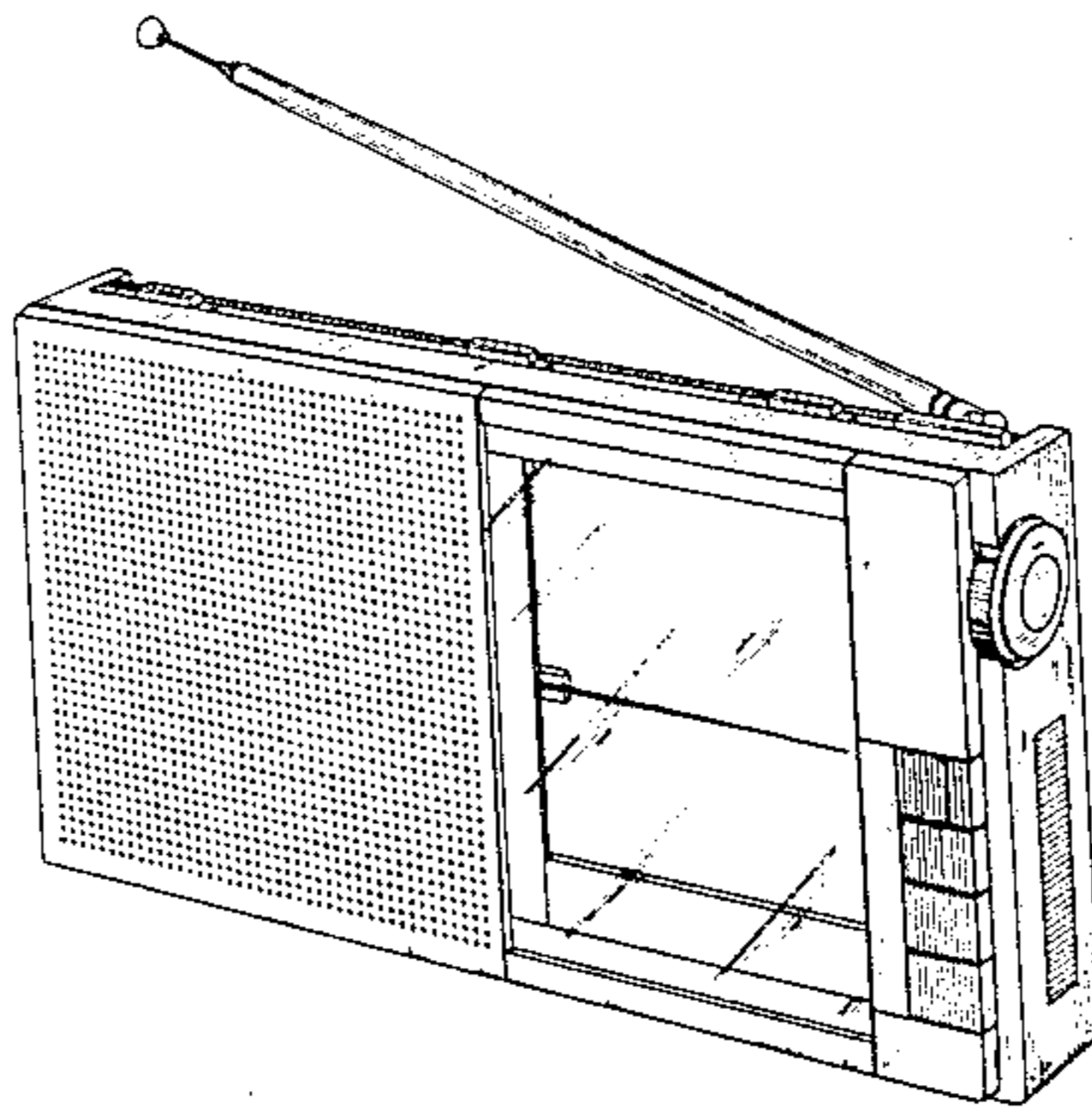
*Primary Examiner*—Jane E. Corrigan  
*Attorney, Agent, or Firm*—Rolf E. Schneider

[57] CLAIM

The ornamental design for a portable radio receiver, as shown.

DESCRIPTION

FIG. 1 is a front, top and right side perspective view of a portable radio receiver showing my new design; FIG. 2 is a front elevational view thereof; FIG. 3 is a rear elevational view thereof; FIG. 4 is a top plan view thereof; FIG. 5 is a bottom plan view thereof; FIG. 6 is a right side elevational view thereof; and FIG. 7 is a left side elevational view thereof.



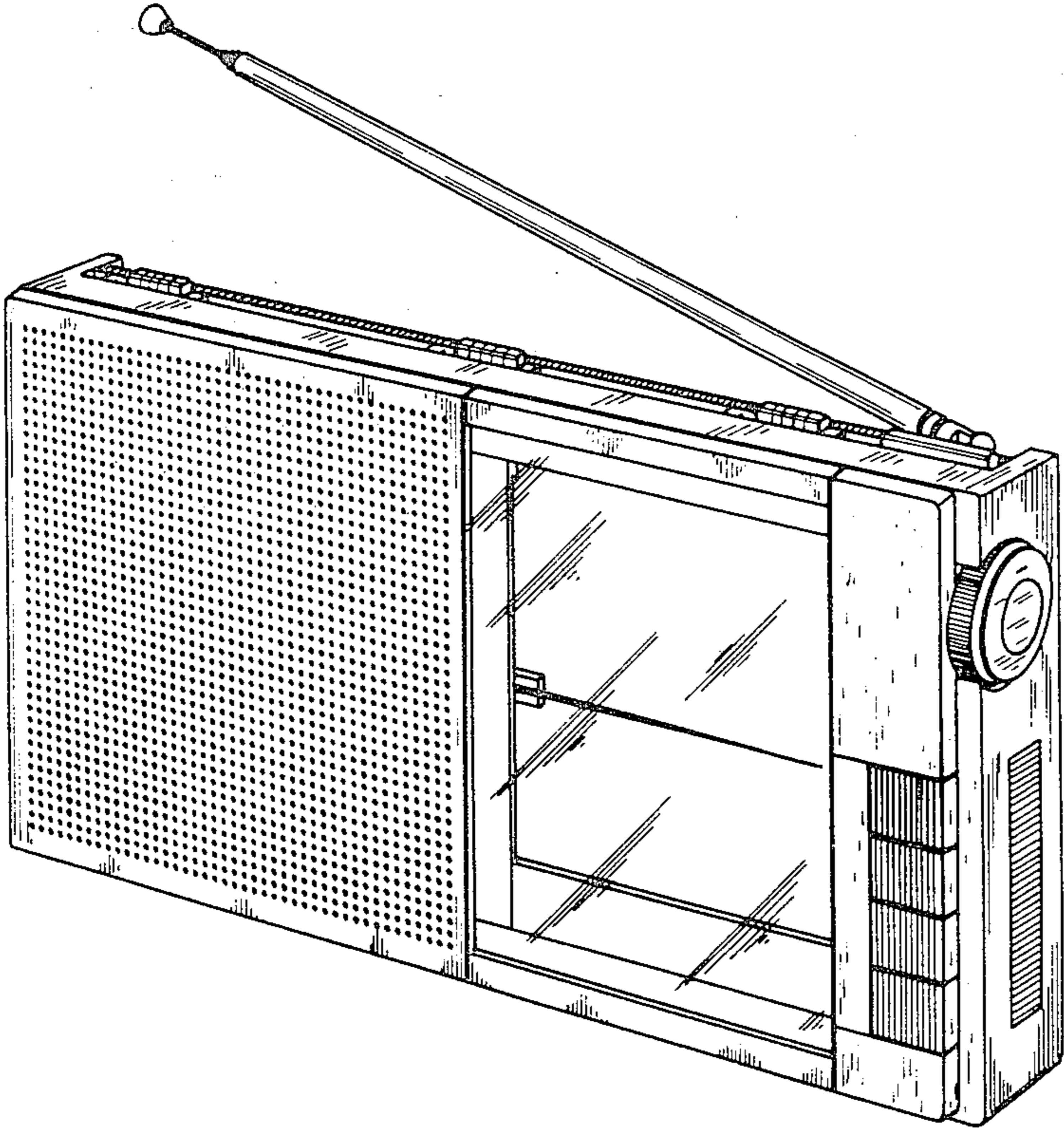


FIG. 1

FIG. 2

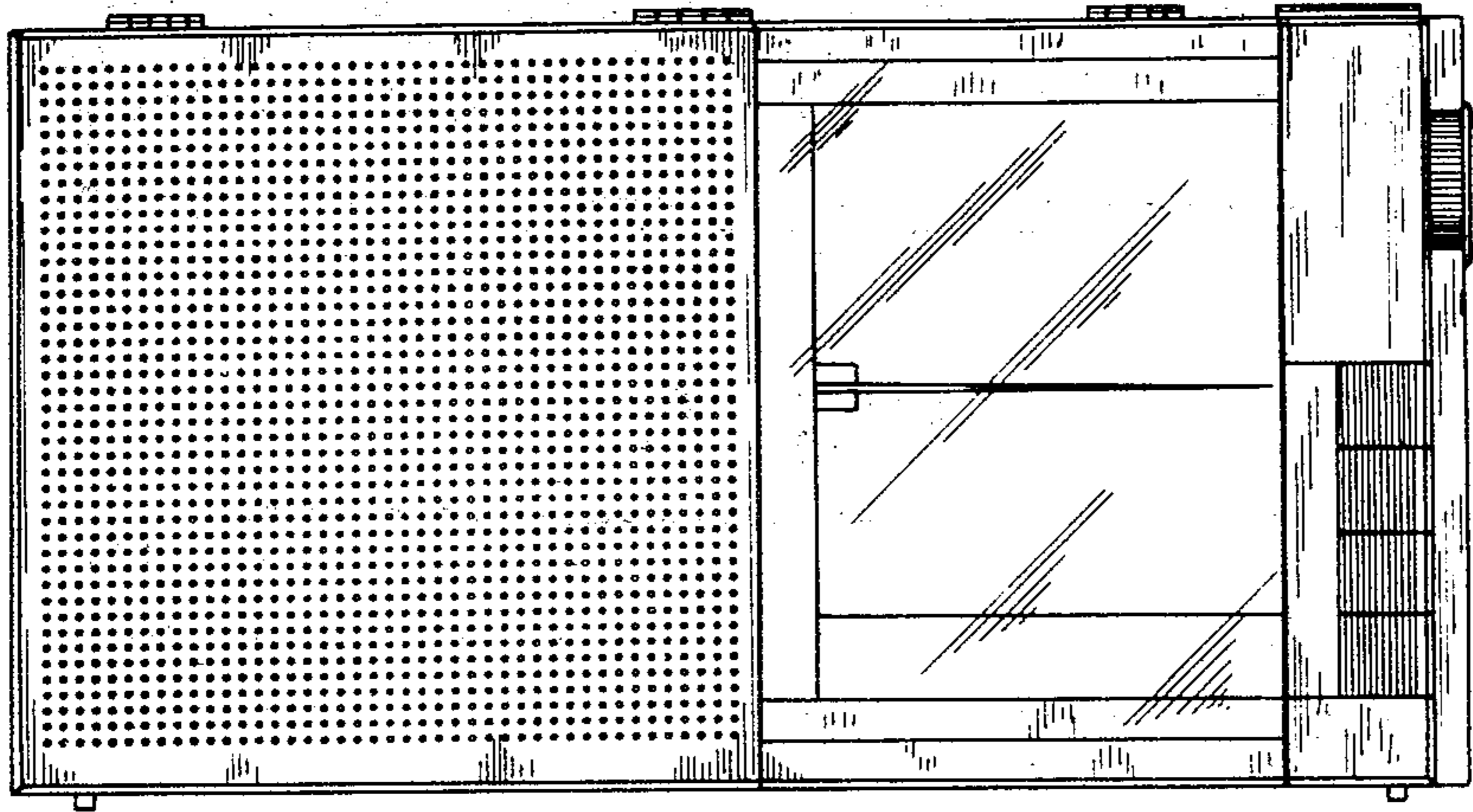


FIG. 3

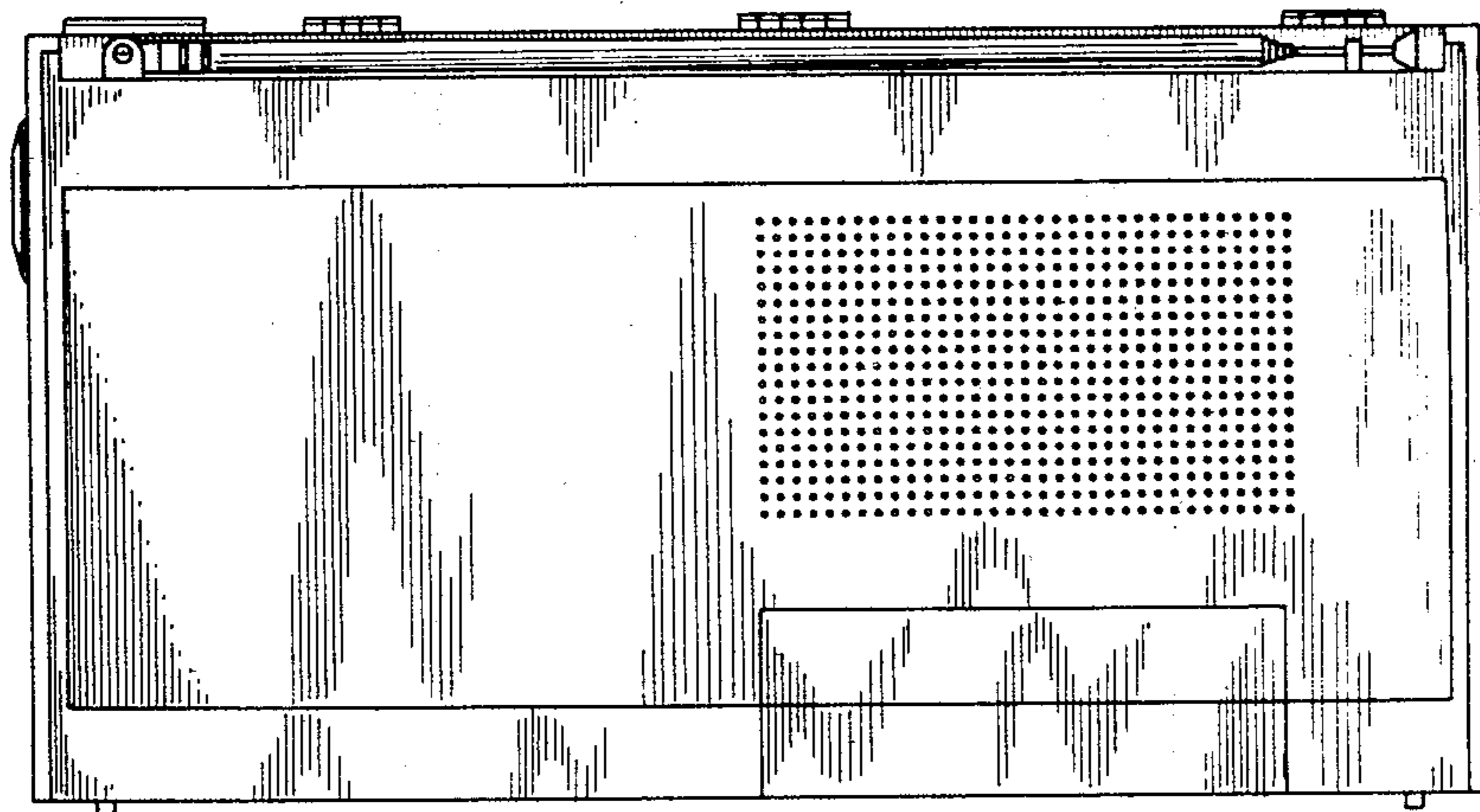


FIG. 4

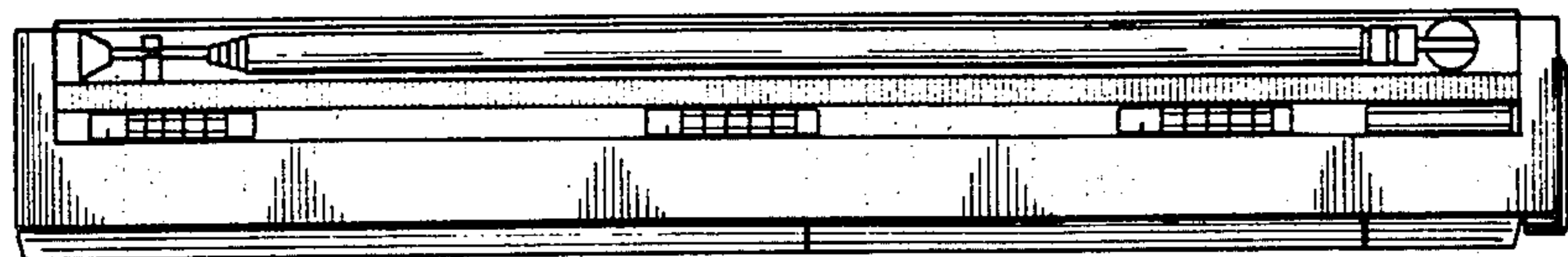


FIG. 5

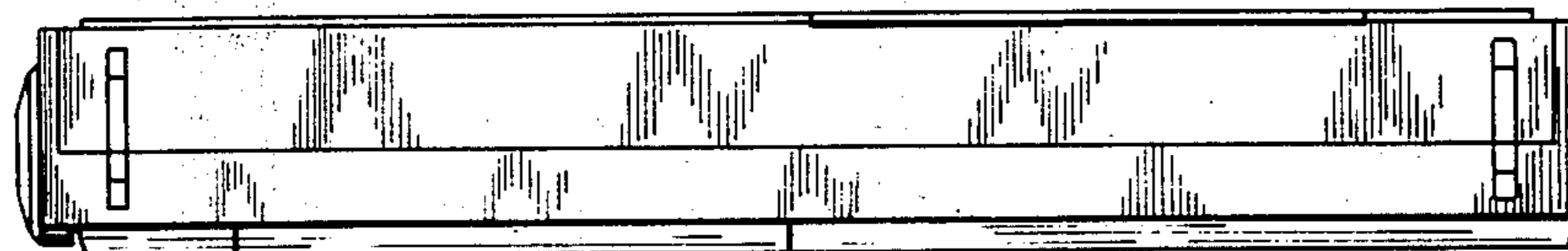


FIG. 6

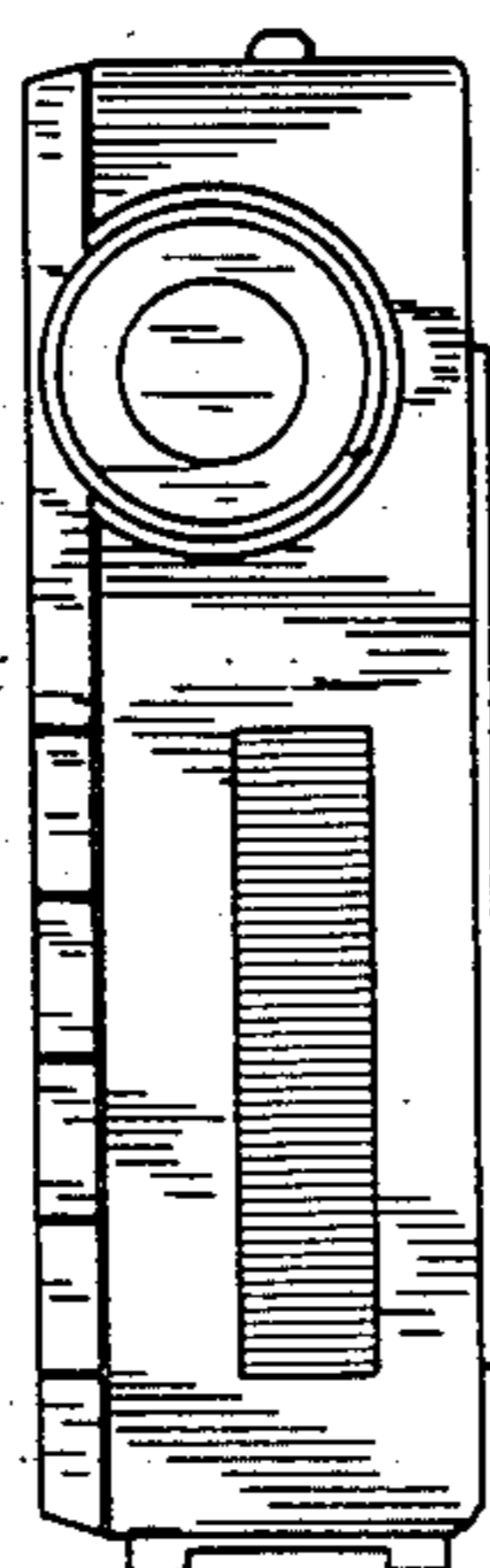


FIG. 7

