

- [54] COMBINED TELEPHONE AND STAND THEREFOR
- [75] Inventor: Myra Winkler, Hartford, Conn.
- [73] Assignee: Teleconcepts, Inc., West Hartford, Conn.
- [\*\*] Term: 14 Years
- [21] Appl. No.: 424,450
- [22] Filed: Sep. 27, 1982
- [52] U.S. Cl. .... D14/53; D14/60; D14/65
- [58] Field of Search ..... D14/52, 53, 59, 60, D14/63, 62, 64, 65; 179/179, 178, 101, 102, 100 R, 100 D

- [56] **References Cited**
- U.S. PATENT DOCUMENTS**
- D. 231,365 4/1974 Wasserman ..... D14/53
- D. 244,035 4/1977 Ault ..... D14/59
- D. 247,175 2/1978 Oliney ..... D14/69
- D. 258,882 4/1981 Beecher et al. .... D14/53
- 1,340,863 5/1920 Knight ..... 179/178
- 3,029,593 4/1962 Gerace ..... 179/179

**OTHER PUBLICATIONS**

Northern Electric Co. Ltd., Advertisement Sheet for NE-500 & 2500 Phones Having Some Transparent Outer Parts; Printed Canada, 3-1972.

Telephone Store Ad, 1-1977, Showing "See-Thru Cube", (Lucite), Rotary Dial Phone.

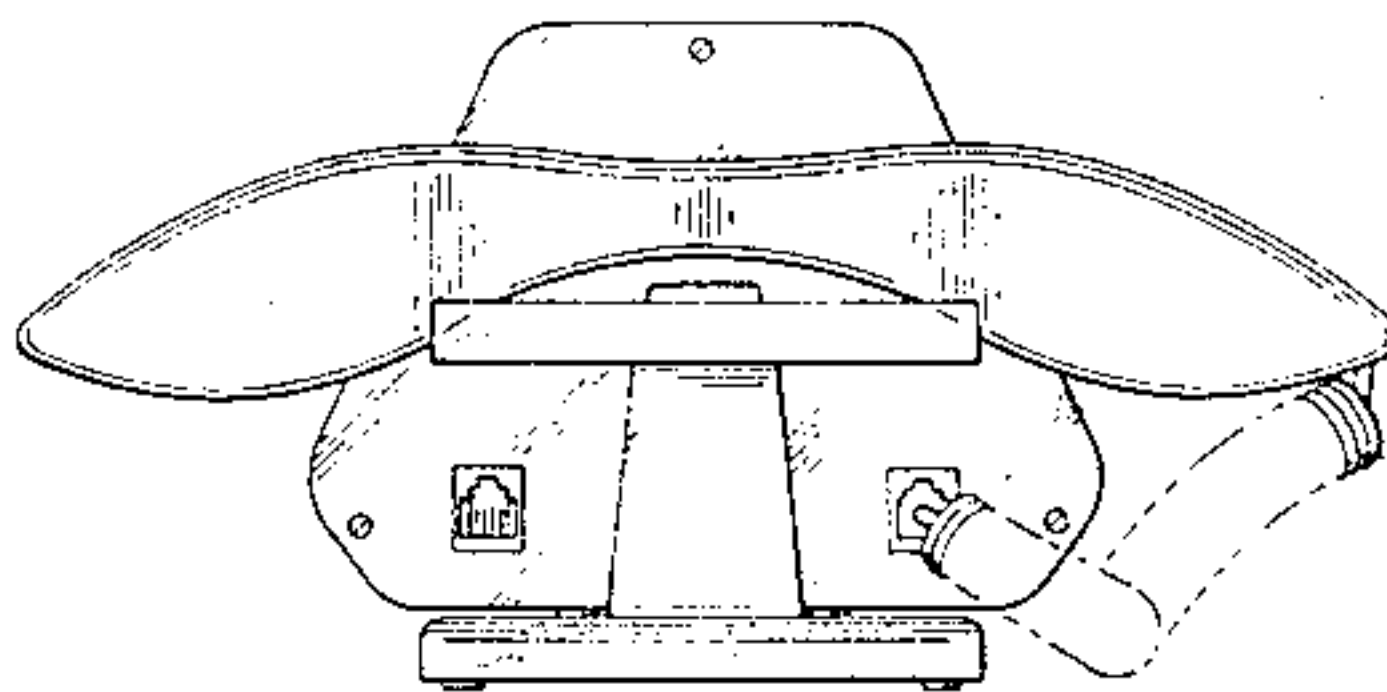
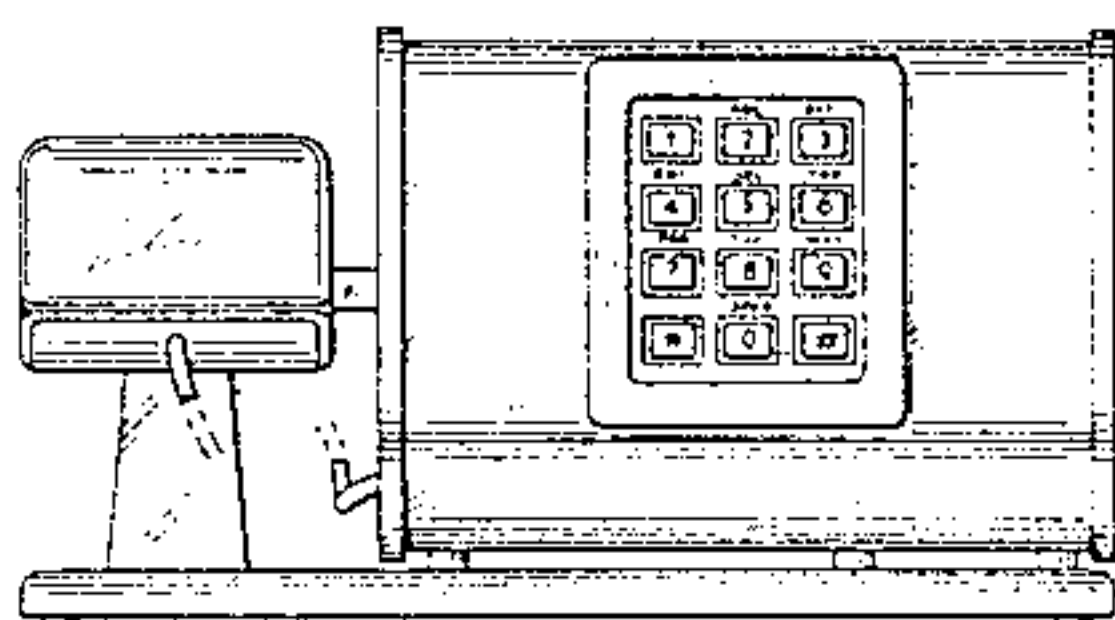
Primary Examiner—A. Hugo Word  
Assistant Examiner—Horace B. Fay

[57] **CLAIM**

The ornamental design for a combined telephone and stand therefor, as shown and described.

**DESCRIPTION**

FIG. 1 is a front elevational view of a combined telephone and stand therefor showing my new design, and with portions of the cord broken away;  
 FIG. 2 is an elevational view of one side thereof with portions of the cord shown in phantom line;  
 FIG. 3 is a top plan view thereof;  
 FIG. 4 is a bottom view thereof;  
 FIG. 5 is a rear elevational view thereof;  
 FIG. 6 is an elevational view of the side opposite that shown in FIG. 2;  
 FIG. 7 is a front elevational view with the handset removed; and  
 FIG. 8 is a top plan view with the handset removed.  
 As indicated by oblique angle surface shading, the case and stand for the telephone, (but not the handle) are transparent. The appearance and orientation of internal telephone components will vary, and these components are not shown since they are not a part of the design claimed.



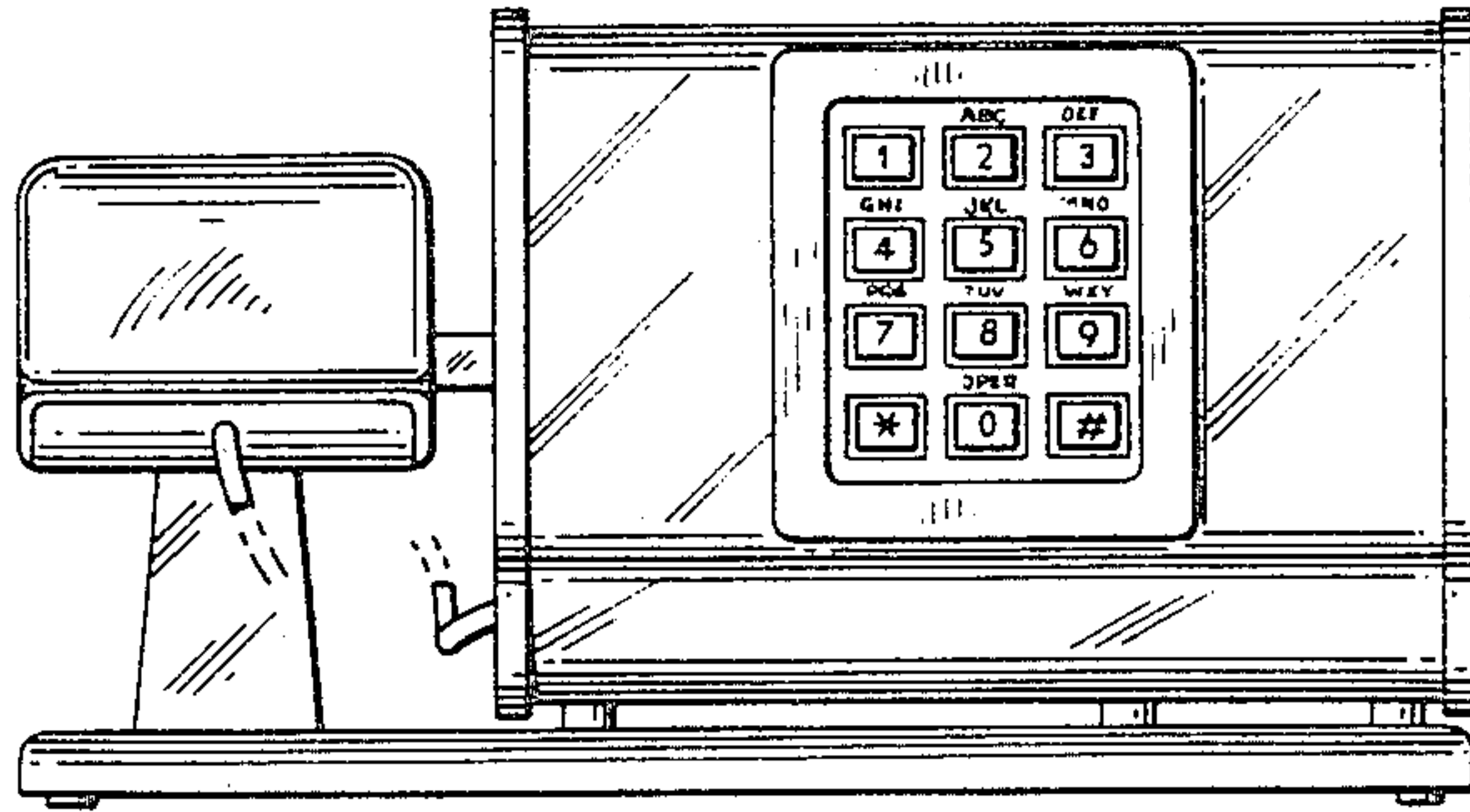


FIG. 1

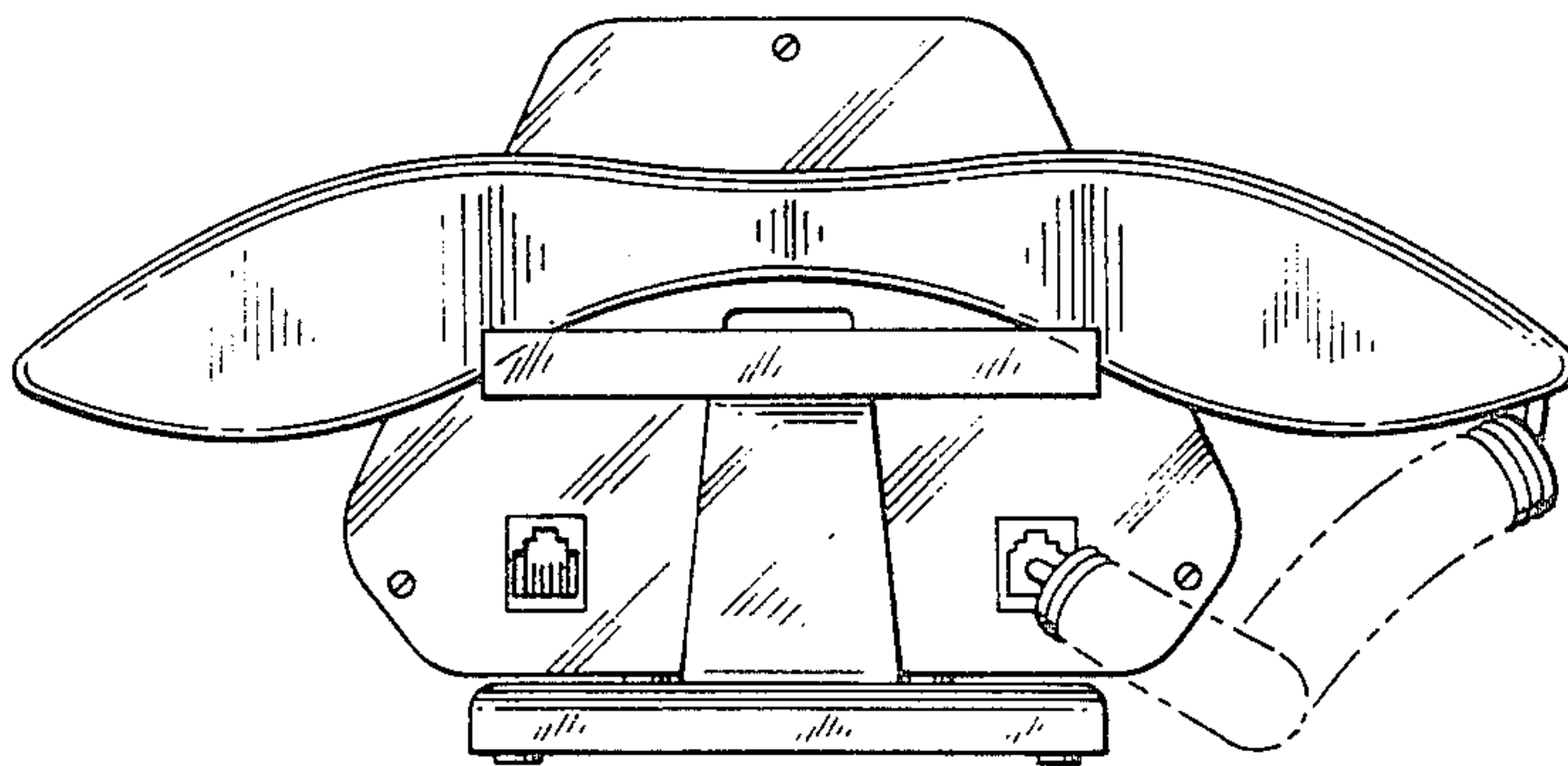


FIG. 2

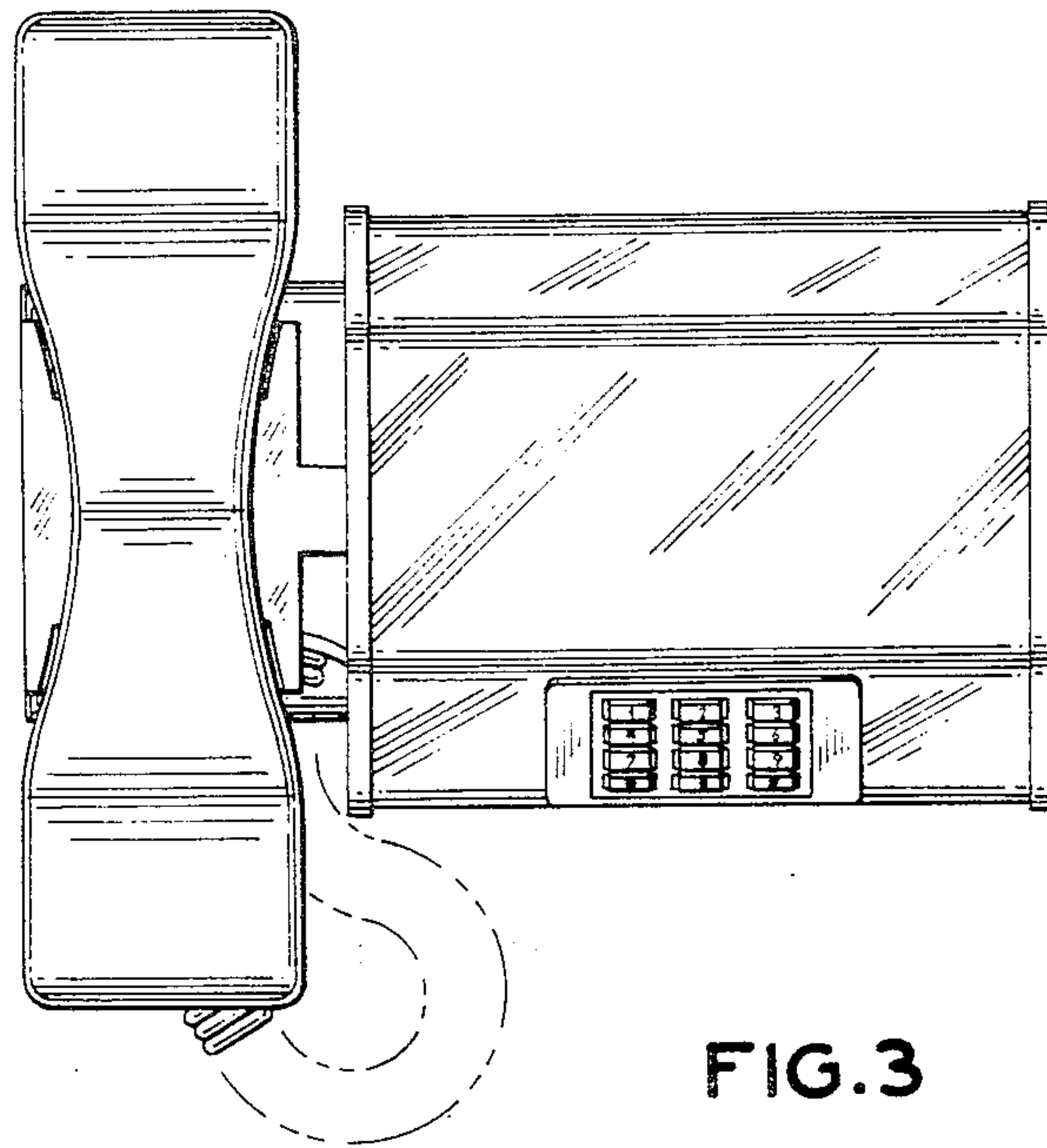


FIG. 3

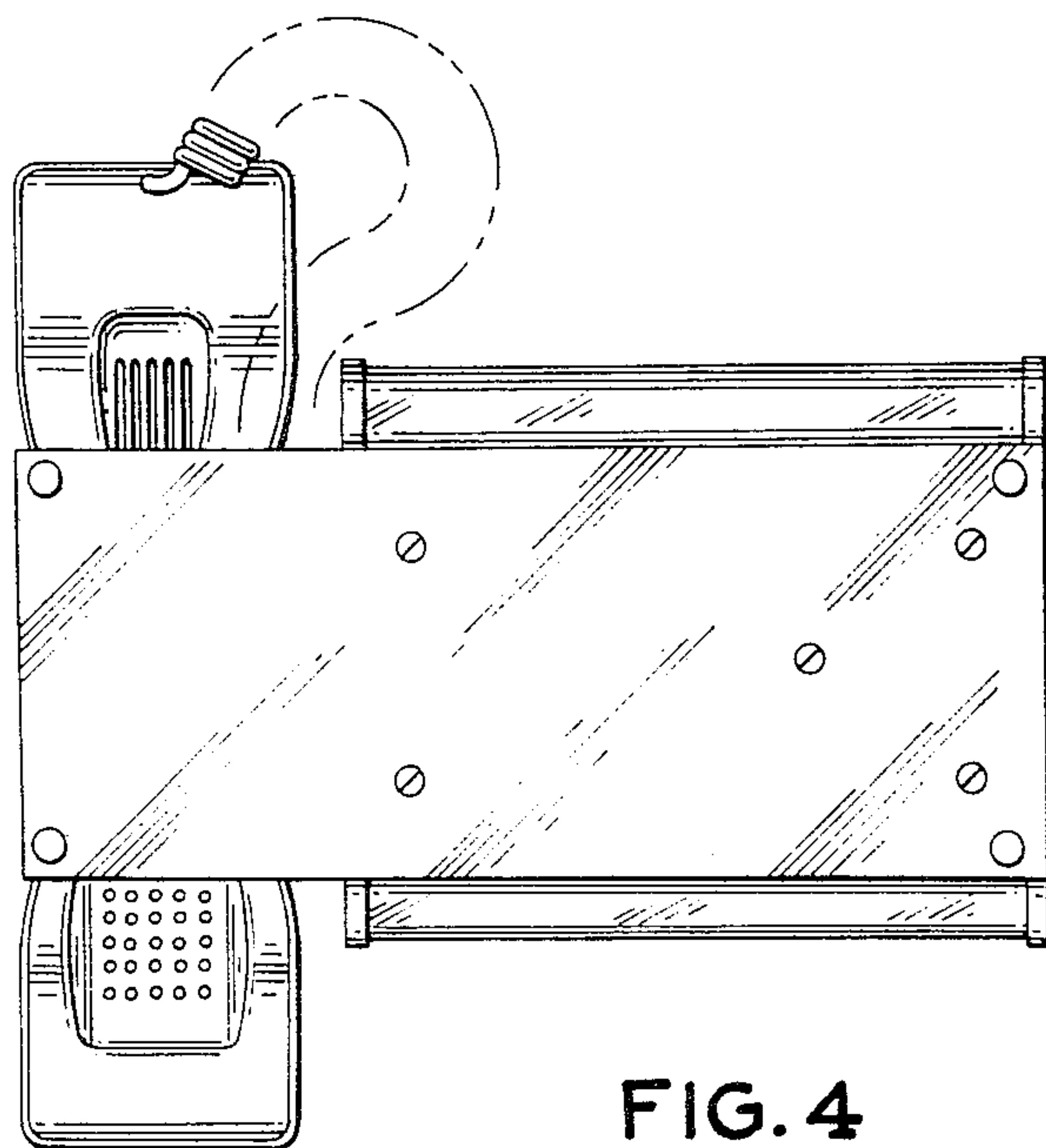


FIG. 4

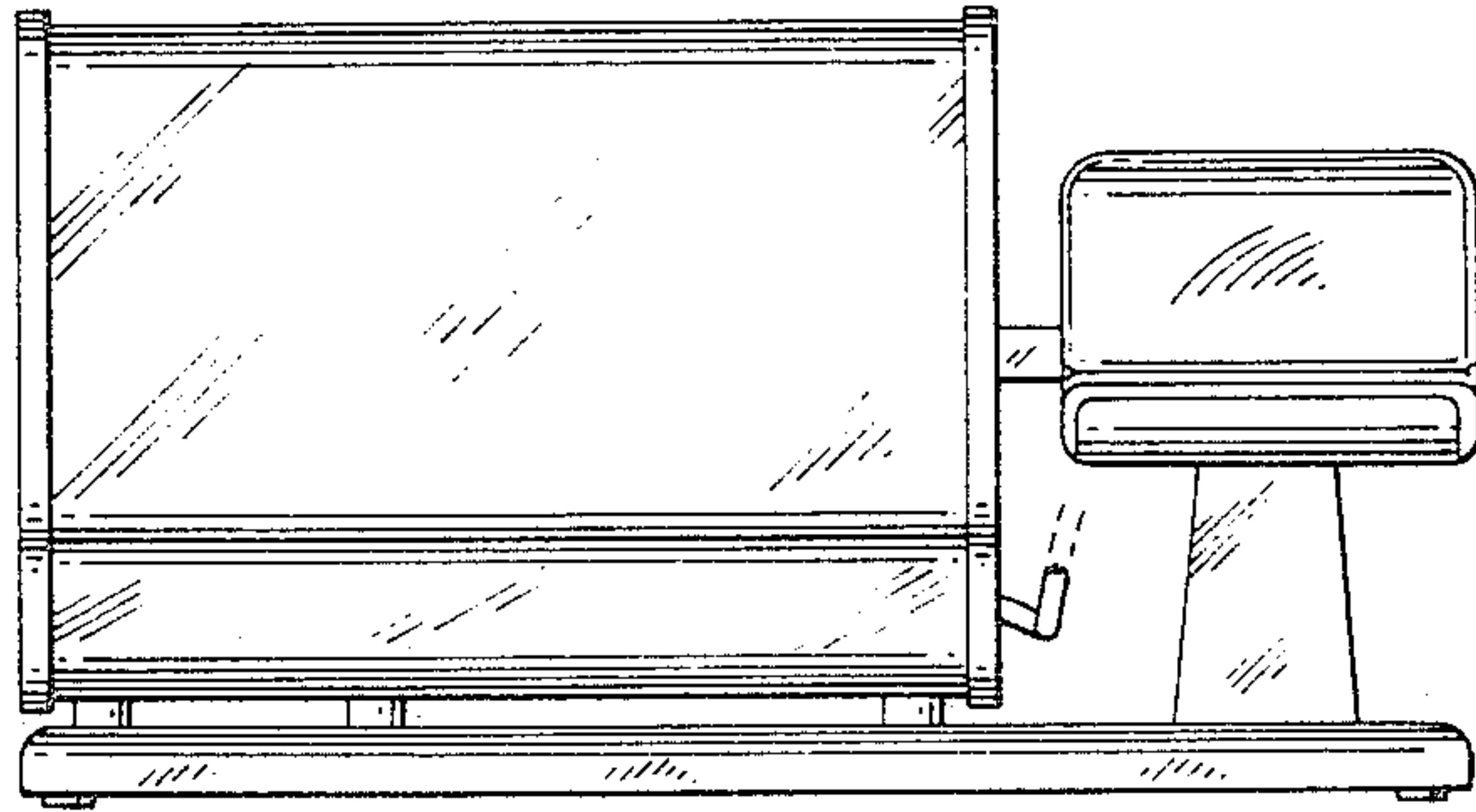


FIG. 5

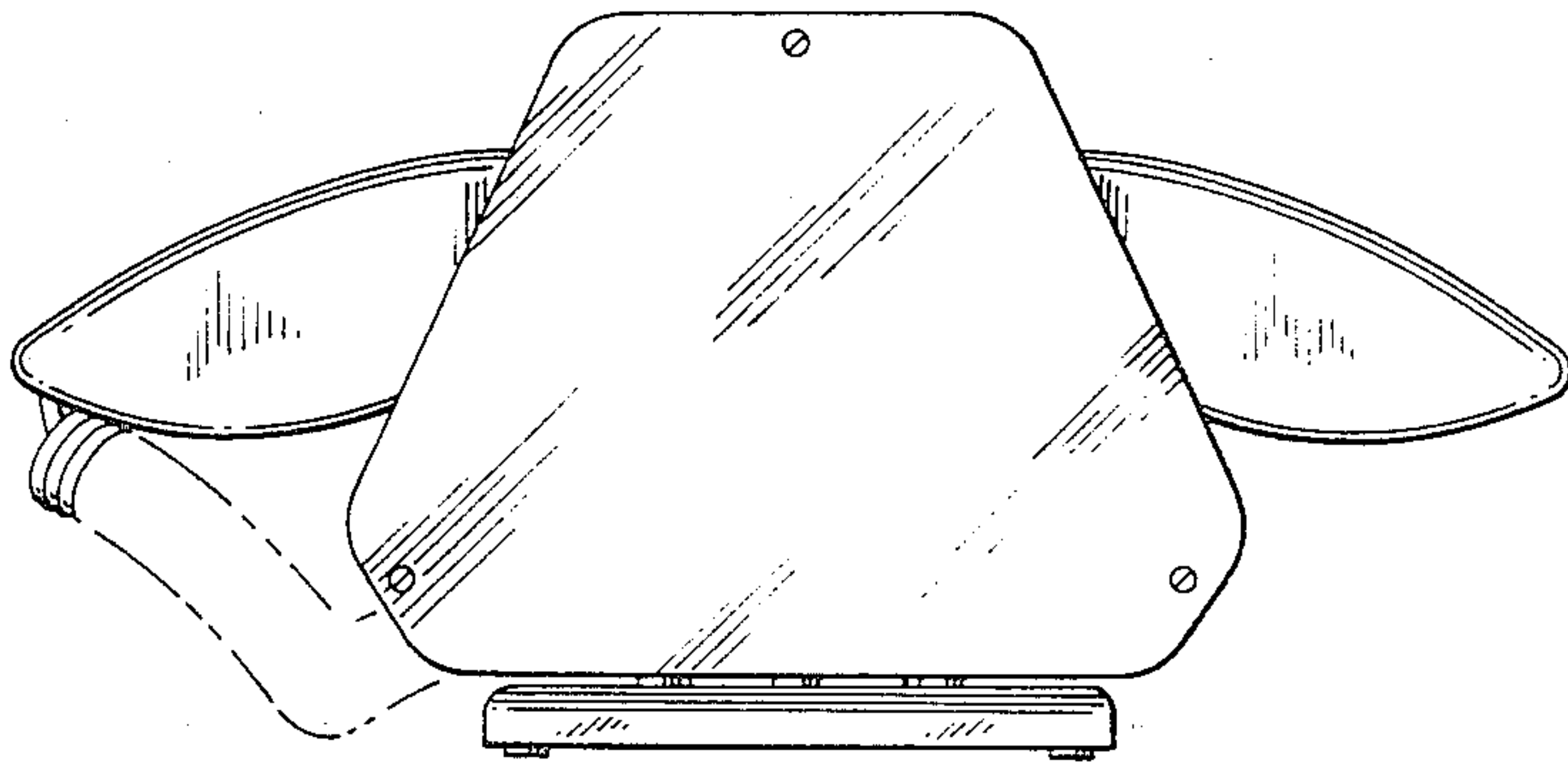


FIG. 6

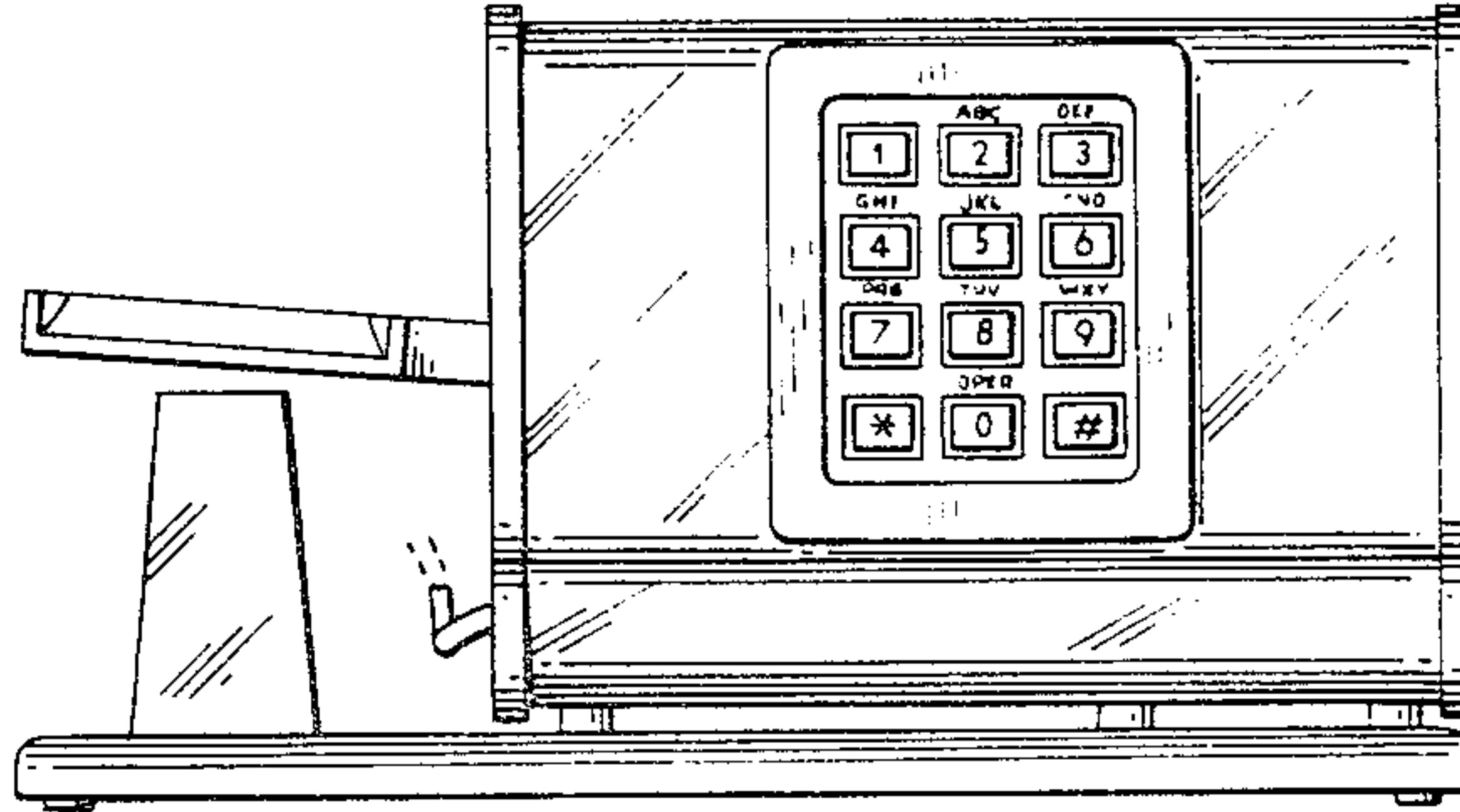


FIG. 7

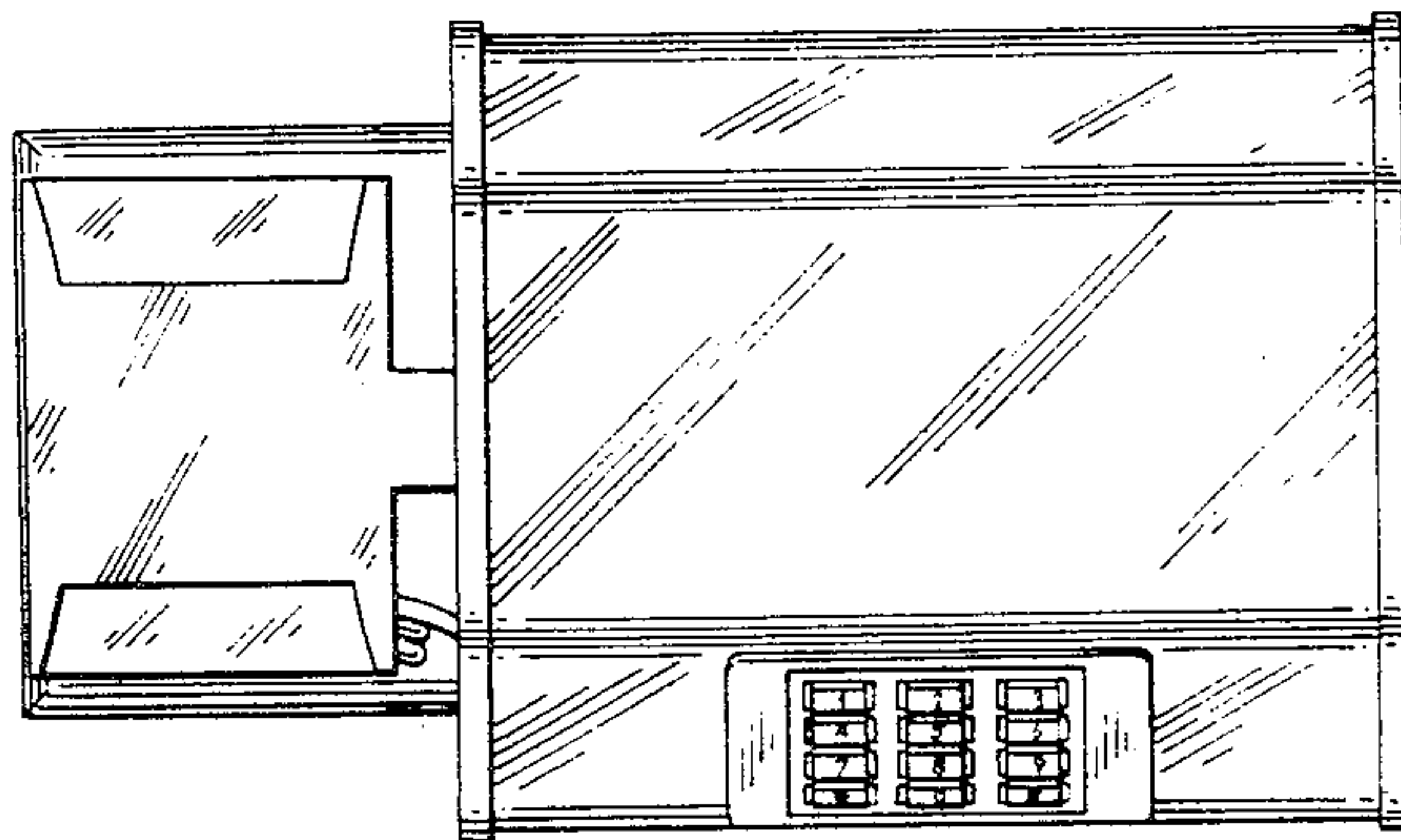


FIG. 8