

[54] MOTOR-FOUR-WHEELER CYCLE

D. 267,637 1/1983 Ohba D12/110
3,893,533 7/1975 Tidwell 180/233

[75] Inventor: Tsuyoshi Murakami, Shizuoka, Japan

[73] Assignee: Suzuki Jidosha Kogyo Kabushiki
Kaisha, Shizuoka, Japan

[**] Term: 14 Years

[21] Appl. No.: 382,304

[22] Filed: May 26, 1982

[30] Foreign Application Priority Data

Dec. 25, 1981 [JP] Japan 56-58831

[52] U.S. Cl. D12/107; D12/3

[58] Field of Search D12/3, 107, 110, 82,
D12/86; 180/251, 241, 239, 233, 210, 211, 215,
217

[56] References Cited

U.S. PATENT DOCUMENTS

D. 218,598 9/1970 Horn et al. D12/3

OTHER PUBLICATIONS

Cycle World, 9/80, p. 78, Kawasaki KLT, bottom of page.

Primary Examiner—James M. Gandy
Attorney, Agent, or Firm—Quaintance & Murphy

[57] CLAIM

The ornamental design for a motor-four-wheeler cycle, as shown and described.

DESCRIPTION

FIG. 1 is a left side elevational view of a motor-four-wheeler cycle showing my new design;
FIG. 2 is a right side elevational view thereof;
FIG. 3 is a rear elevational view thereof;
FIG. 4 is a front elevational view thereof;
FIG. 5 is a top plan view thereof;
FIG. 6 is a bottom plan view thereof; and
FIG. 7 is a perspective view thereof.

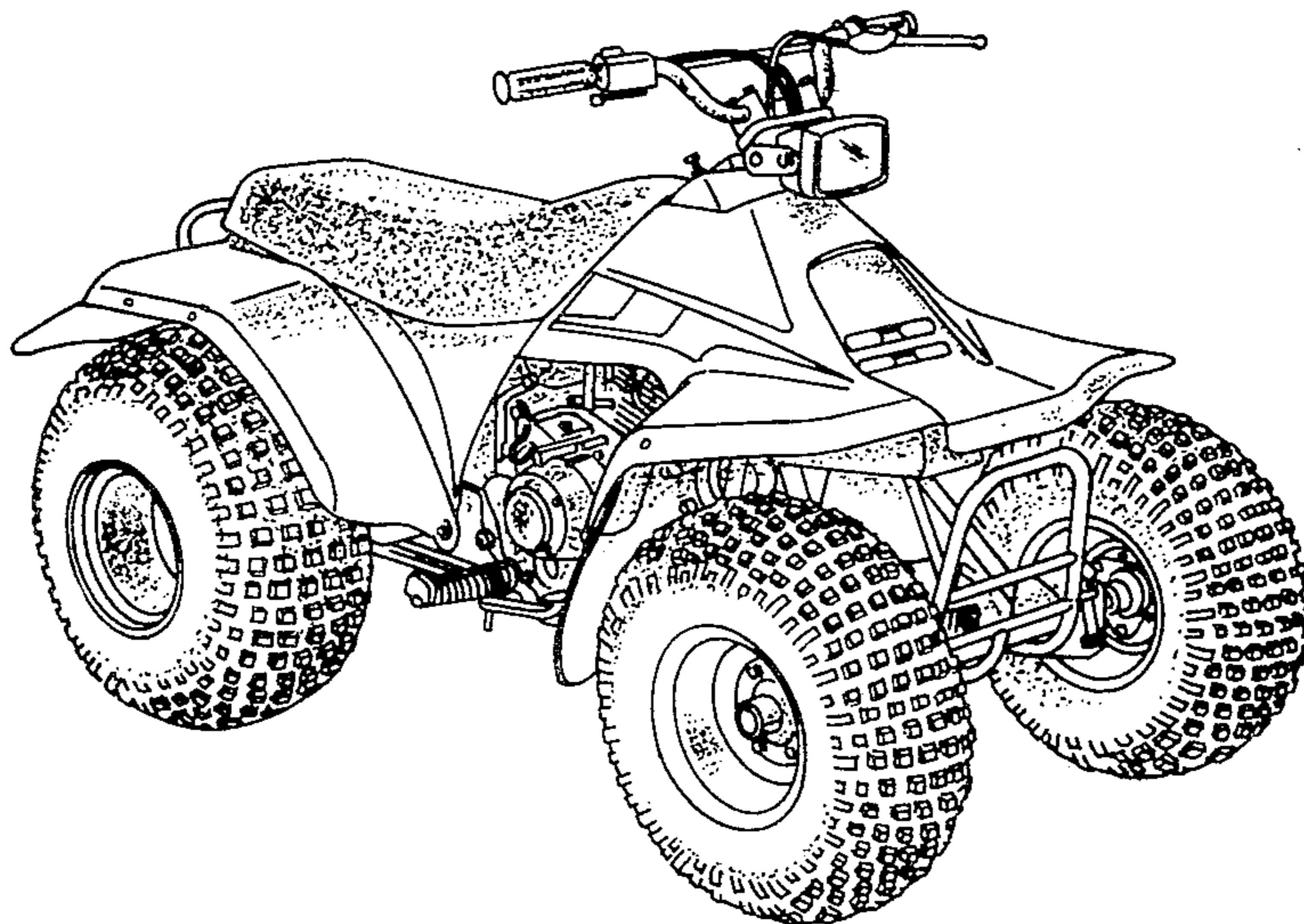


FIG. 2

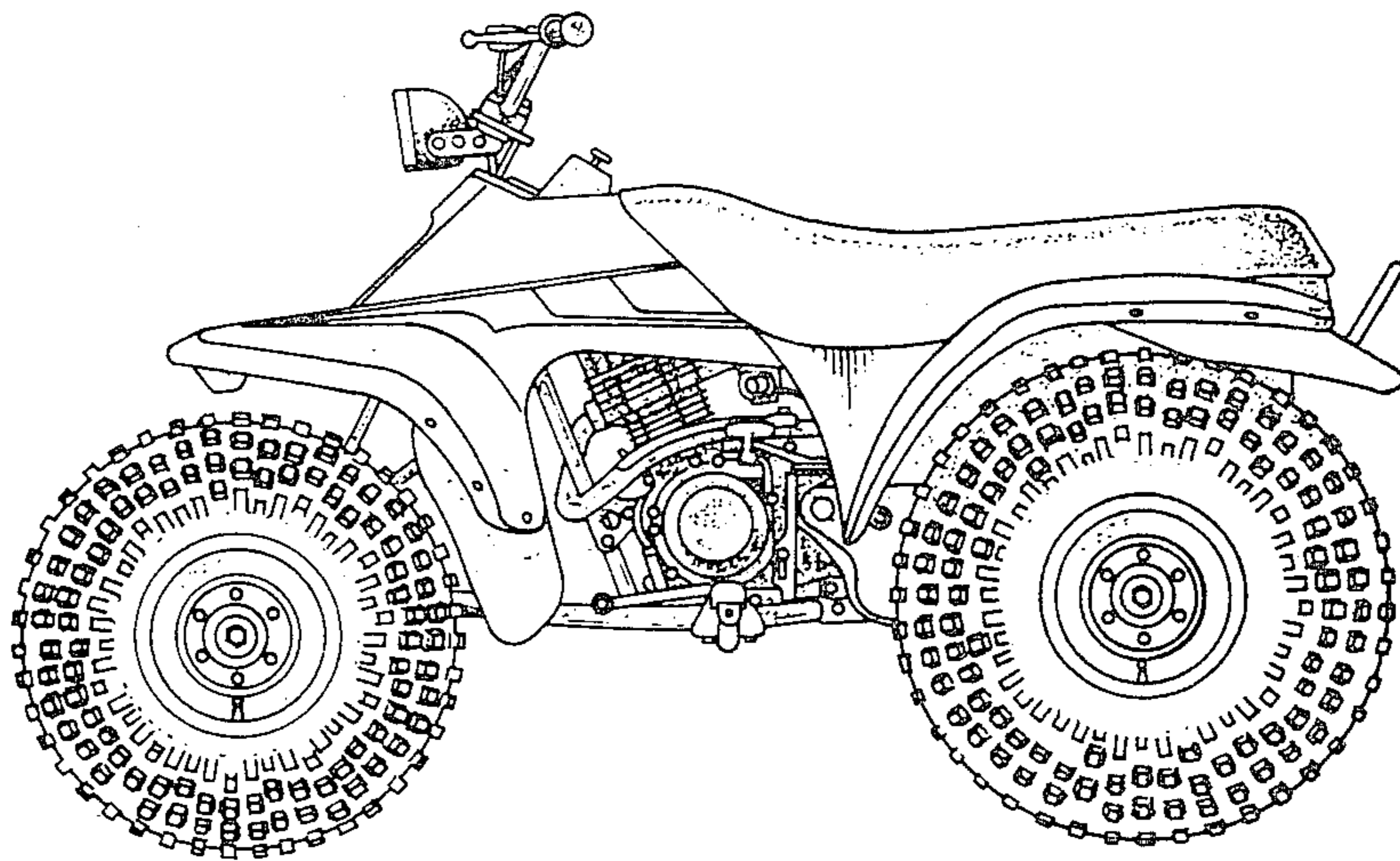


FIG. 1

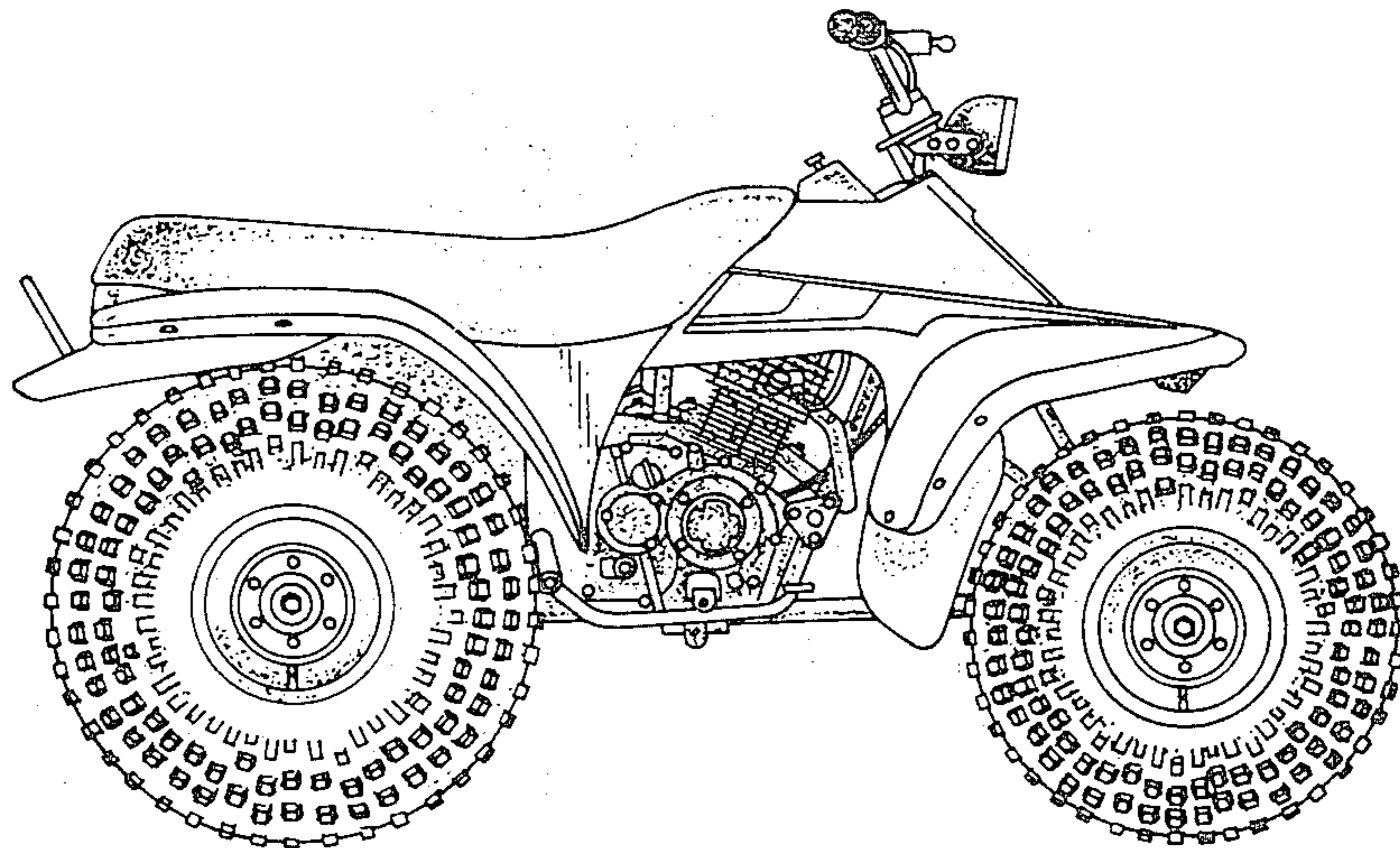


FIG. 3

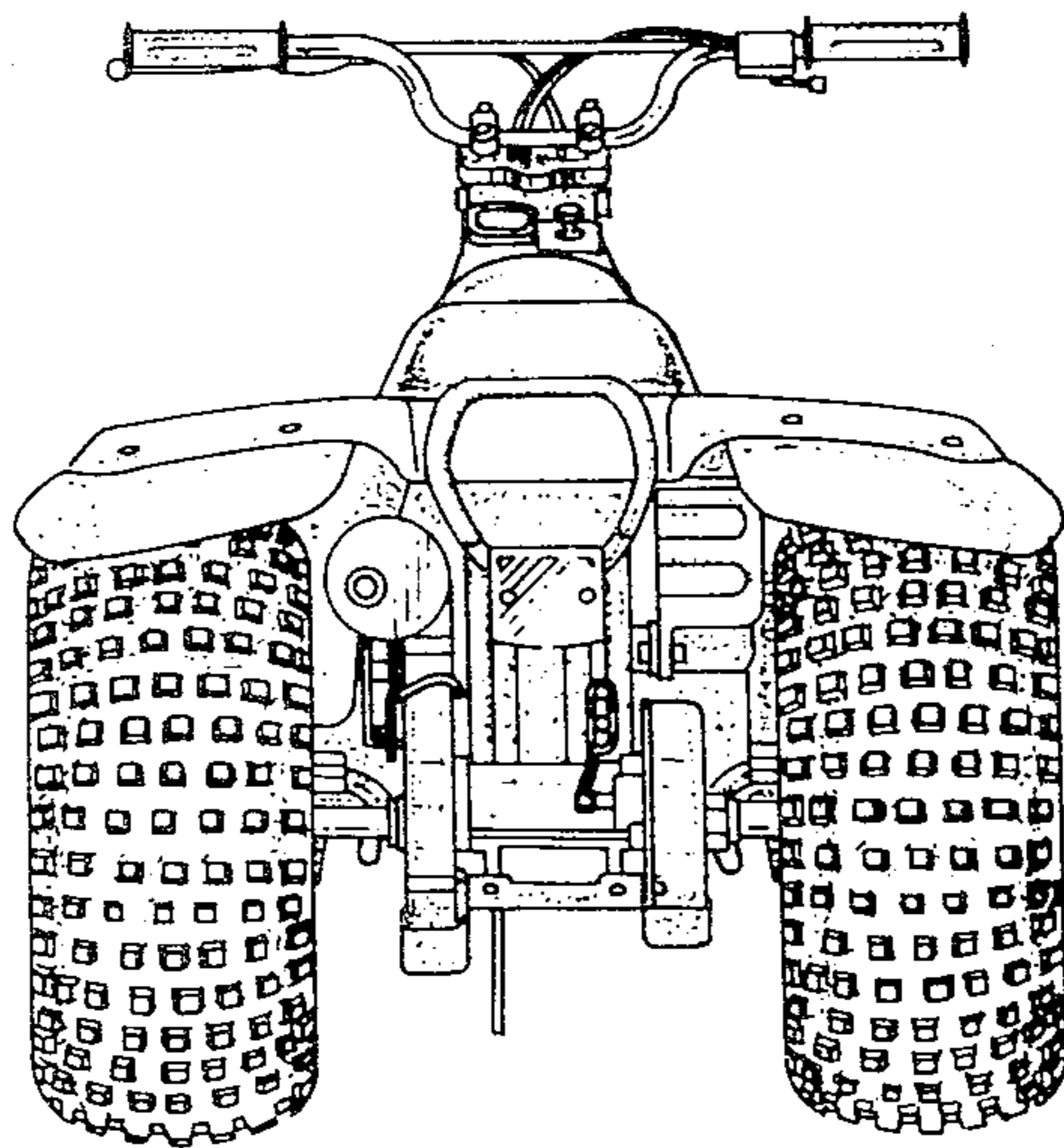


FIG. 4

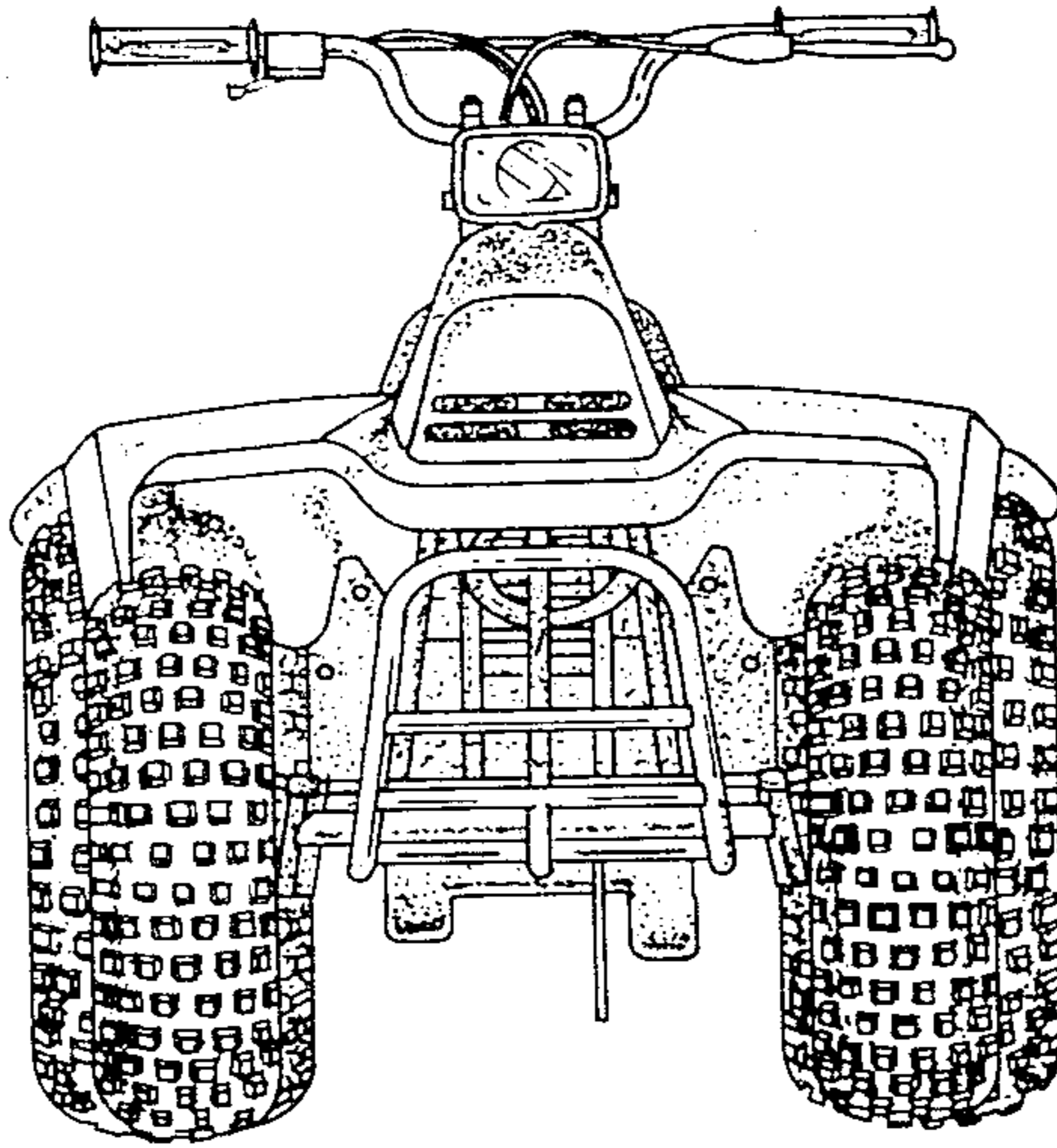


FIG. 5

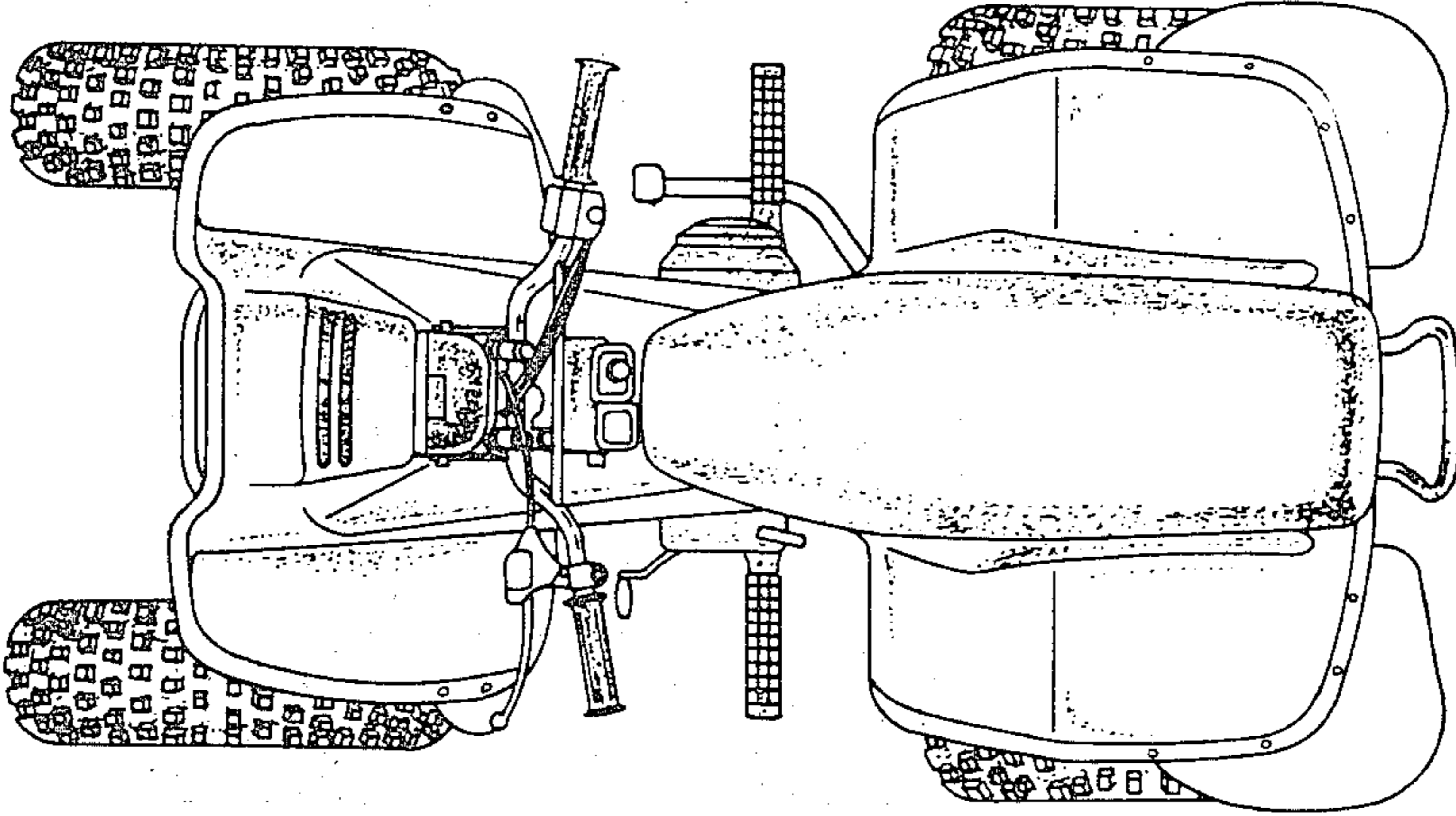


FIG. 6

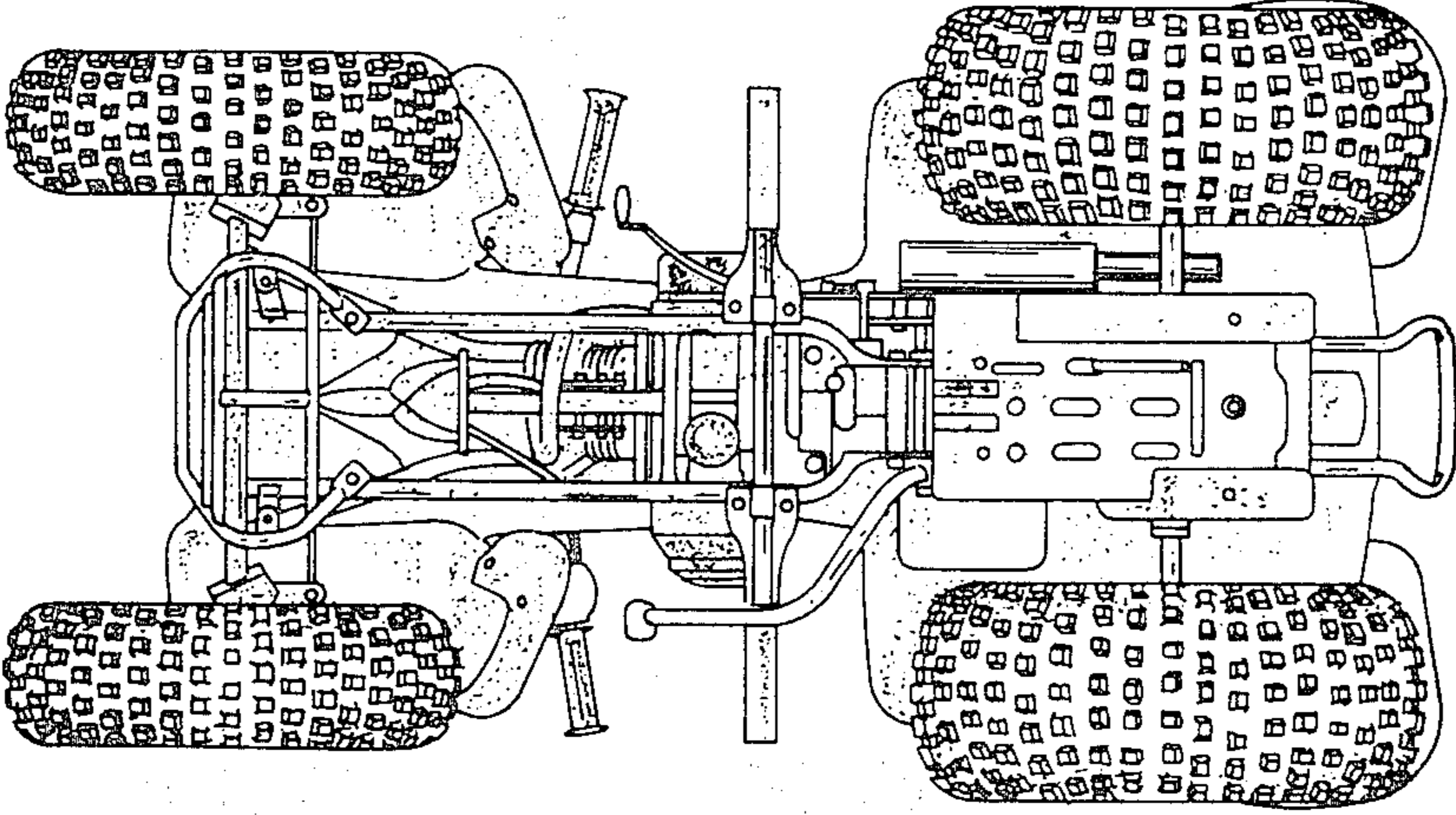
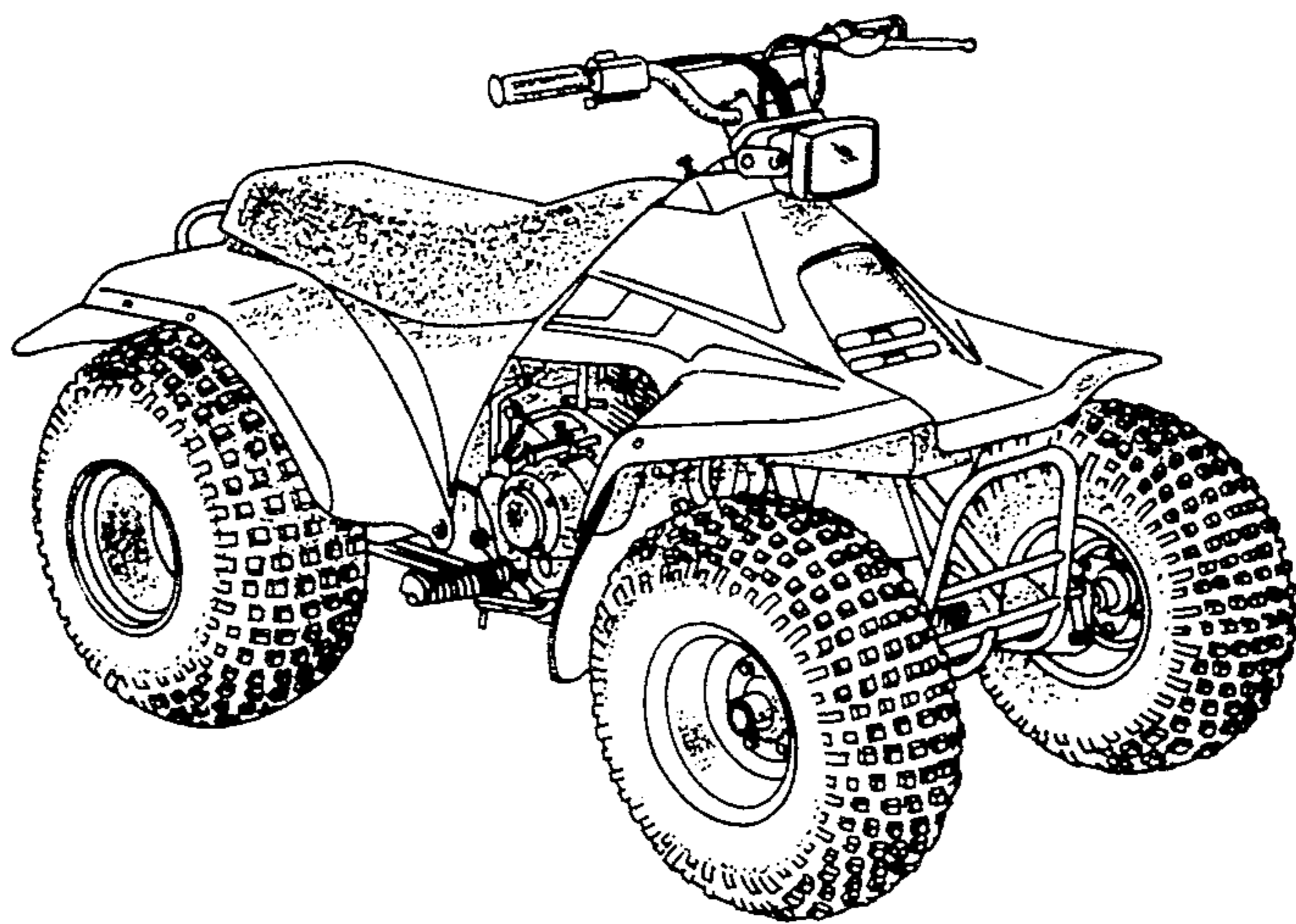


FIG. 7



UNITED STATES PATENT AND TRADEMARK OFFICE
CERTIFICATE OF CORRECTION

PATENT NO. : Des. 277,088
DATED : January 8, 1985
INVENTOR(S) : Tsuyoshi Murakami

Page 1 of 4

It is certified that error appears in the above-identified patent and that said Letters Patent is hereby corrected as shown below:

The title page should be deleted to appear as per attached title page.

The sheet of Drawing consisting of Figs. 1 and 2 should be deleted to appear as per attached sheet.

The sheet of Drawing consisting of Fig.7 should be deleted to appear as per attached sheet.

Signed and Sealed this

Twenty-fifth **Day of** *June 1985*

[SEAL]

Attest:

DONALD J. QUIGG

Attesting Officer

Acting Commissioner of Patents and Trademarks

[54] **MOTOR-FOUR-WHEELER CYCLE**
 [75] Inventor: **Tsuyoshi Murakami, Shizuoka, Japan**
 [73] Assignee: **Suzuki Jidosha Kogyo Kabushiki Kaisha, Shizuoka, Japan**
 [**] Term: **14 Years**
 [21] Appl. No.: **382,304**
 [22] Filed: **May 26, 1982**

D. 267,637 1/1983 Ohba D12/110
 3,893,533 7/1975 Tidwell 180/233

OTHER PUBLICATIONS

Cycle World, 9/80, p. 78, Kawasaki KLT, bottom of page.

Primary Examiner—James M. Gandy
Attorney, Agent, or Firm—Quaintance & Murphy

[57] **CLAIM**

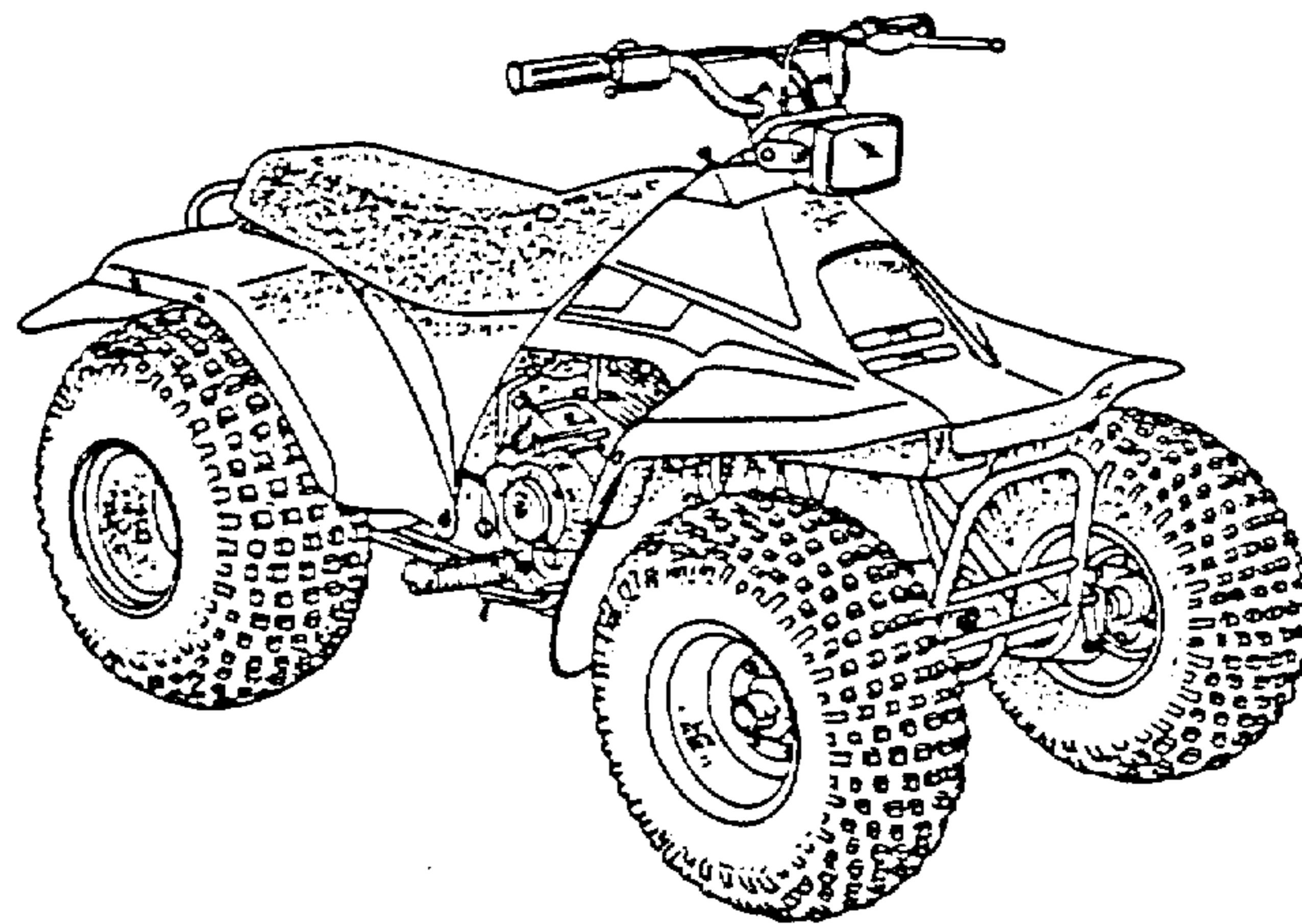
The ornamental design for a motor-four-wheeler cycle, as shown and described.

DESCRIPTION

FIG. 1 is a left side elevational view of a motor-four-wheeler cycle showing my new design;
 FIG. 2 is a right side elevational view thereof;
 FIG. 3 is a rear elevational view thereof;
 FIG. 4 is a front elevational view thereof;
 FIG. 5 is a top plan view thereof;
 FIG. 6 is a bottom plan view thereof; and
 FIG. 7 is a perspective view thereof.

[30] **Foreign Application Priority Data**
 Dec. 25, 1981 [JP] Japan 56-58831
 [52] U.S. Cl. **D12/107; D12/3**
 [58] **Field of Search** D12/3, 107, 110, 82,
 D12/86; 180/251, 241, 239, 233, 210, 211, 215,
 217

[56] **References Cited**
U.S. PATENT DOCUMENTS
 D. 218,598 9/1970 Horn et al. D12/3



UNITED STATES PATENT AND TRADEMARK OFFICE
CERTIFICATE OF CORRECTION

PATENT NO. : Des. 277,088
DATED : January 8, 1985

Page 3 of 4

INVENTOR(S) : Tsuyoshi Murakami

It is certified that error appears in the above-identified patent and that said Letters Patent are hereby corrected as shown below:

FIG. 2

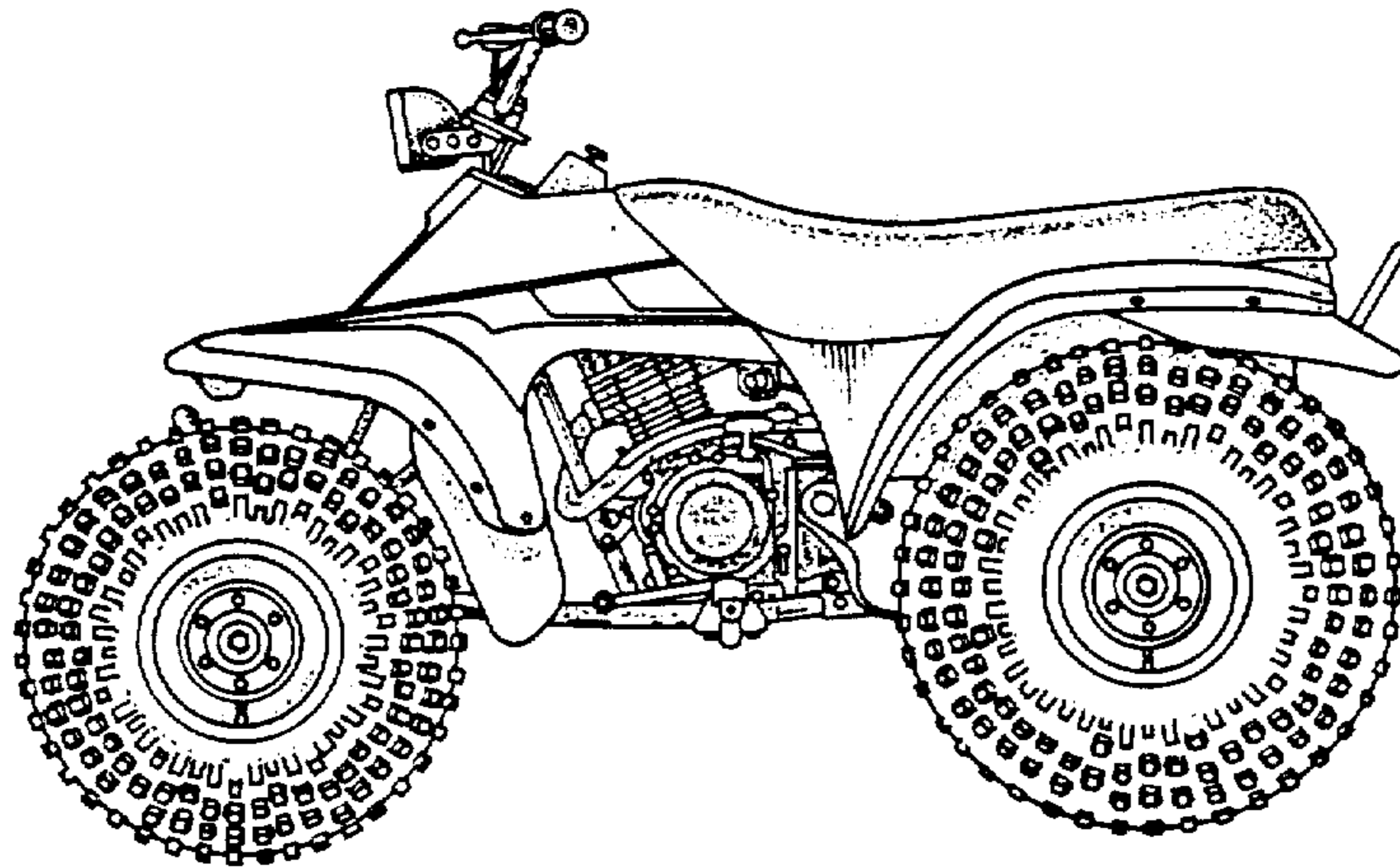
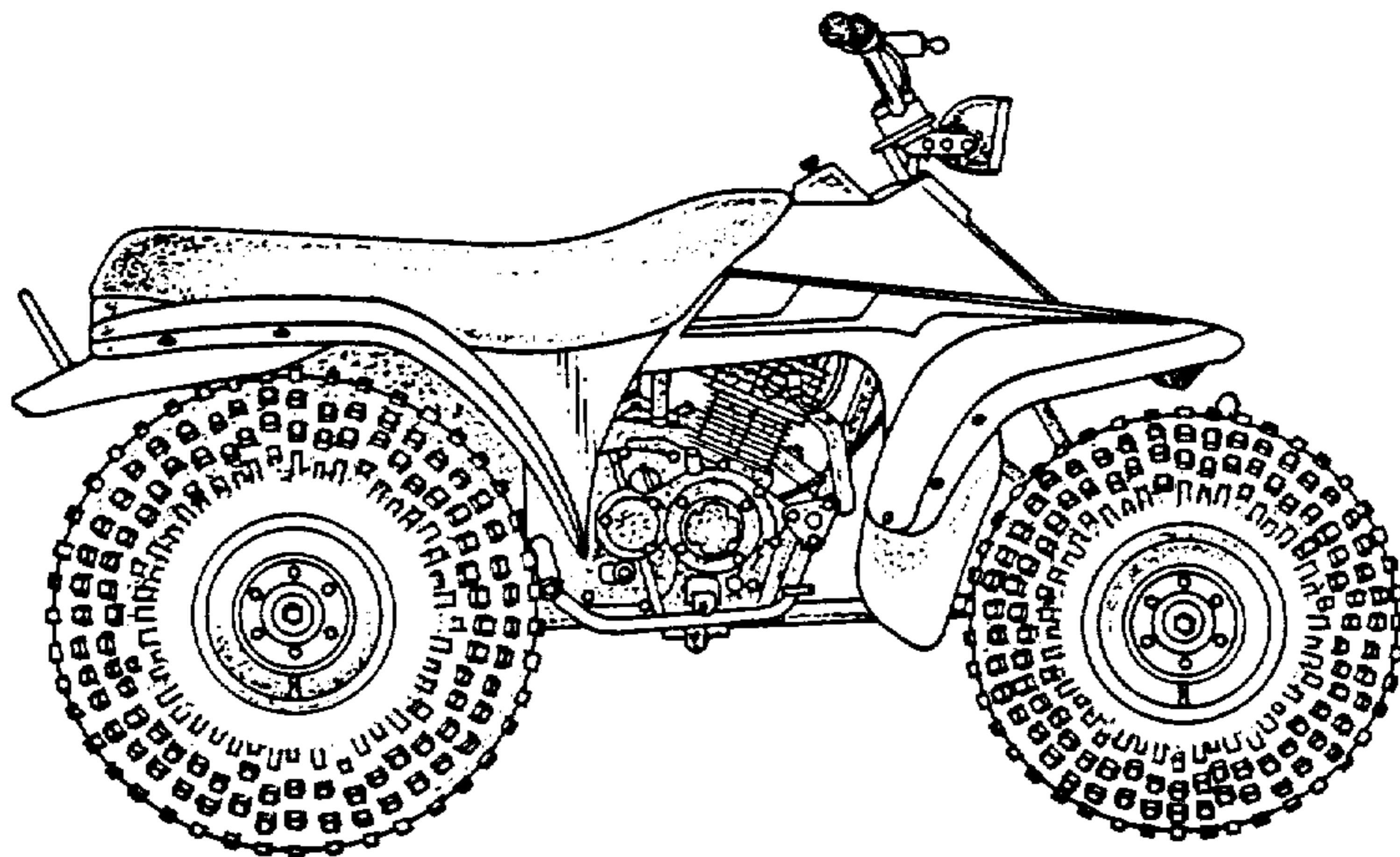


FIG. 1



UNITED STATES PATENT AND TRADEMARK OFFICE
CERTIFICATE OF CORRECTION

PATENT NO. : Des. 277,088
DATED : January 8, 1985
INVENTOR(S) : Tsuyoshi Murakami

Page 4 of 4

It is certified that error appears in the above-identified patent and that said Letters Patent are hereby corrected as shown below:

FIG. 7

