

[54] EDGE FINDER

[76] Inventor: Ibrahim Ibrahimasic, 1566 Scott St., San Jose, Calif. 95126

[\*\*] Term: 14 Years

[21] Appl. No.: 409,575

[22] Filed: Aug. 19, 1982

[52] U.S. Cl. .... D10/61

[58] Field of Search ..... D10/61, 62, 64, 73; 33/169 R, 169 C, 172 D

[56] References Cited

U.S. PATENT DOCUMENTS

2,533,198	12/1950	Radtke	.....	33/169 C X
3,370,356	2/1968	Jend	.....	33/169 C
3,999,299	12/1976	Johnson	.....	33/172 D X

OTHER PUBLICATIONS

*Ash Mail Order Cat. #32—* ©1981—p. 360—V, Edge Gage at bottom.

*Primary Examiner—*Nelson C. Holtje  
*Attorney, Agent, or Firm—*Cantor and Lessler

[57] CLAIM

The ornamental design for an edge finder, substantially as shown and described.

DESCRIPTION

FIG. 1 is a top front perspective view of an edge finder showing my new design;  
FIG. 2 is a front elevational view thereof;  
FIG. 3 is a rear elevational view thereof;  
FIG. 4 is a left side elevational view thereof, the right side being a mirror image therto;  
FIG. 5 is a top plan view thereof; and  
FIG. 6 is a bottom plan view thereof.

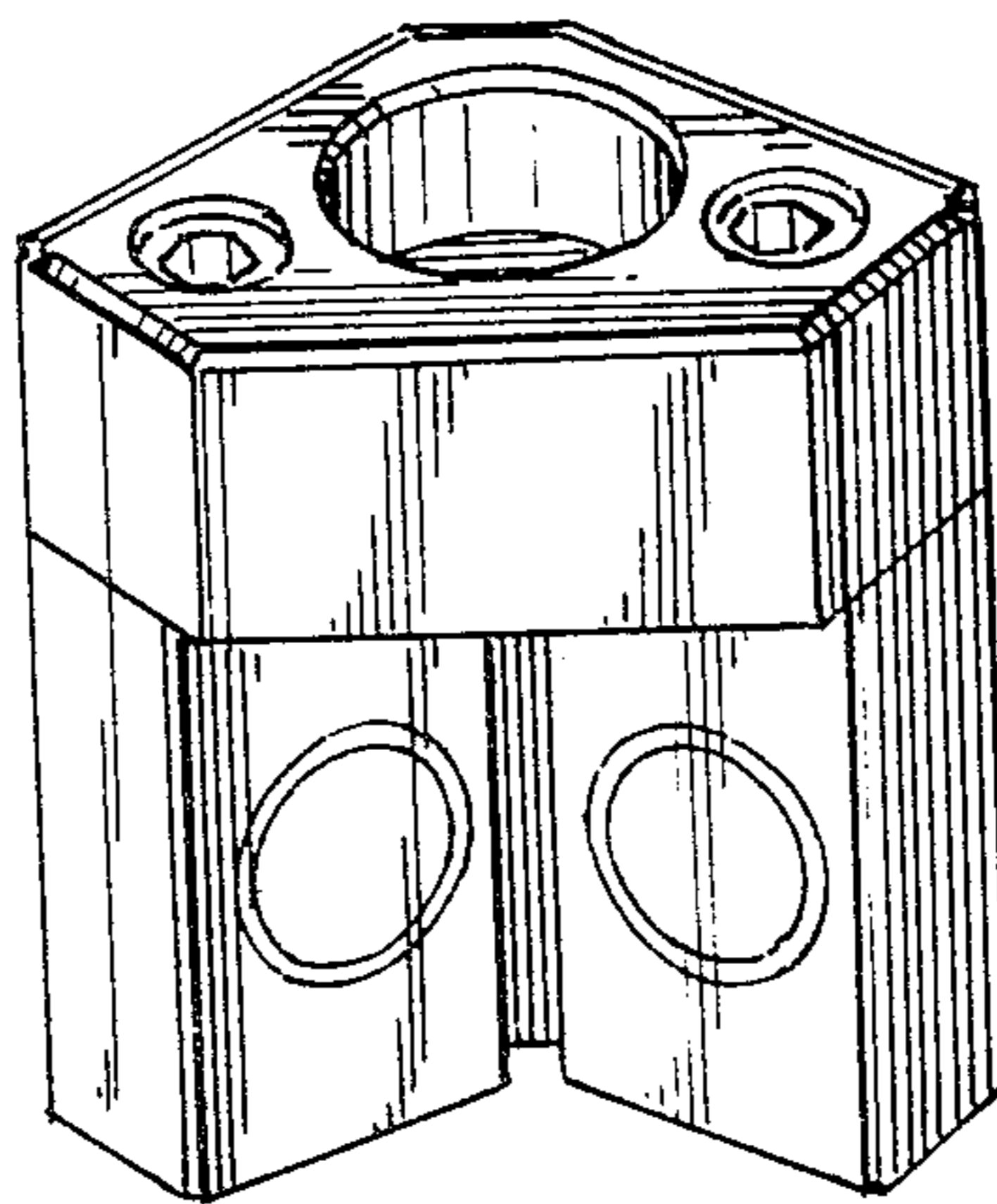


FIG. 1

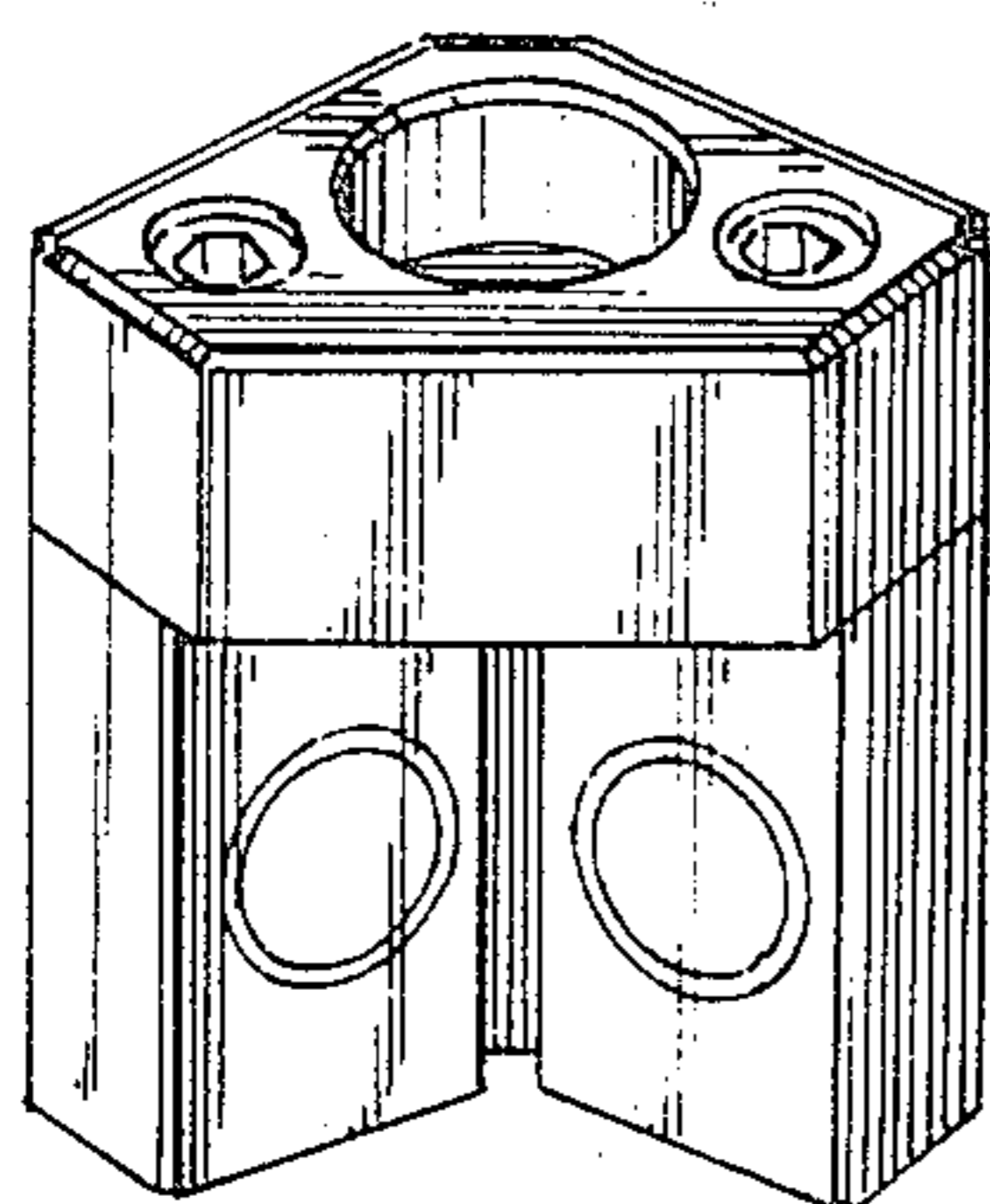


FIG. 2

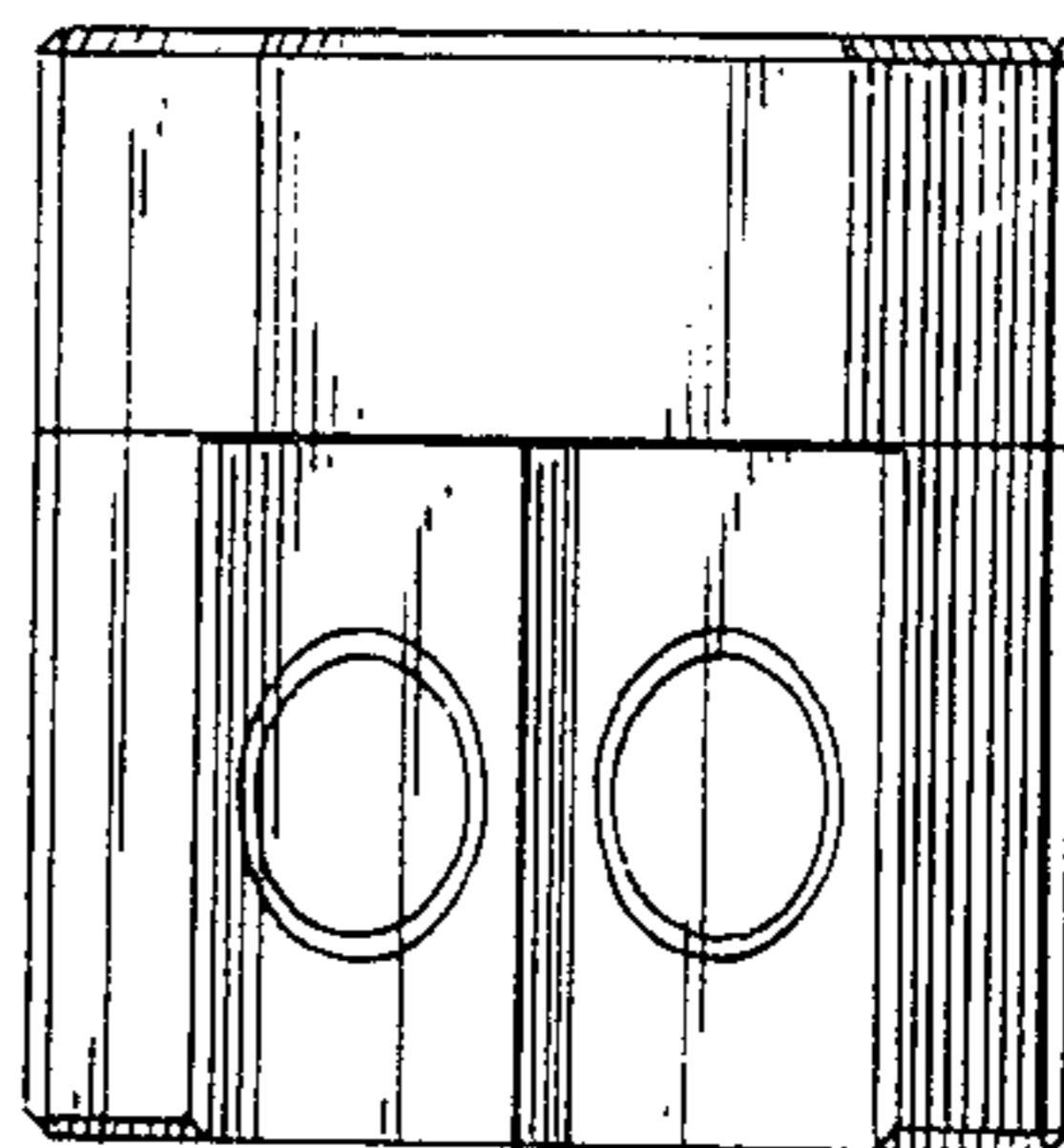


FIG. 3

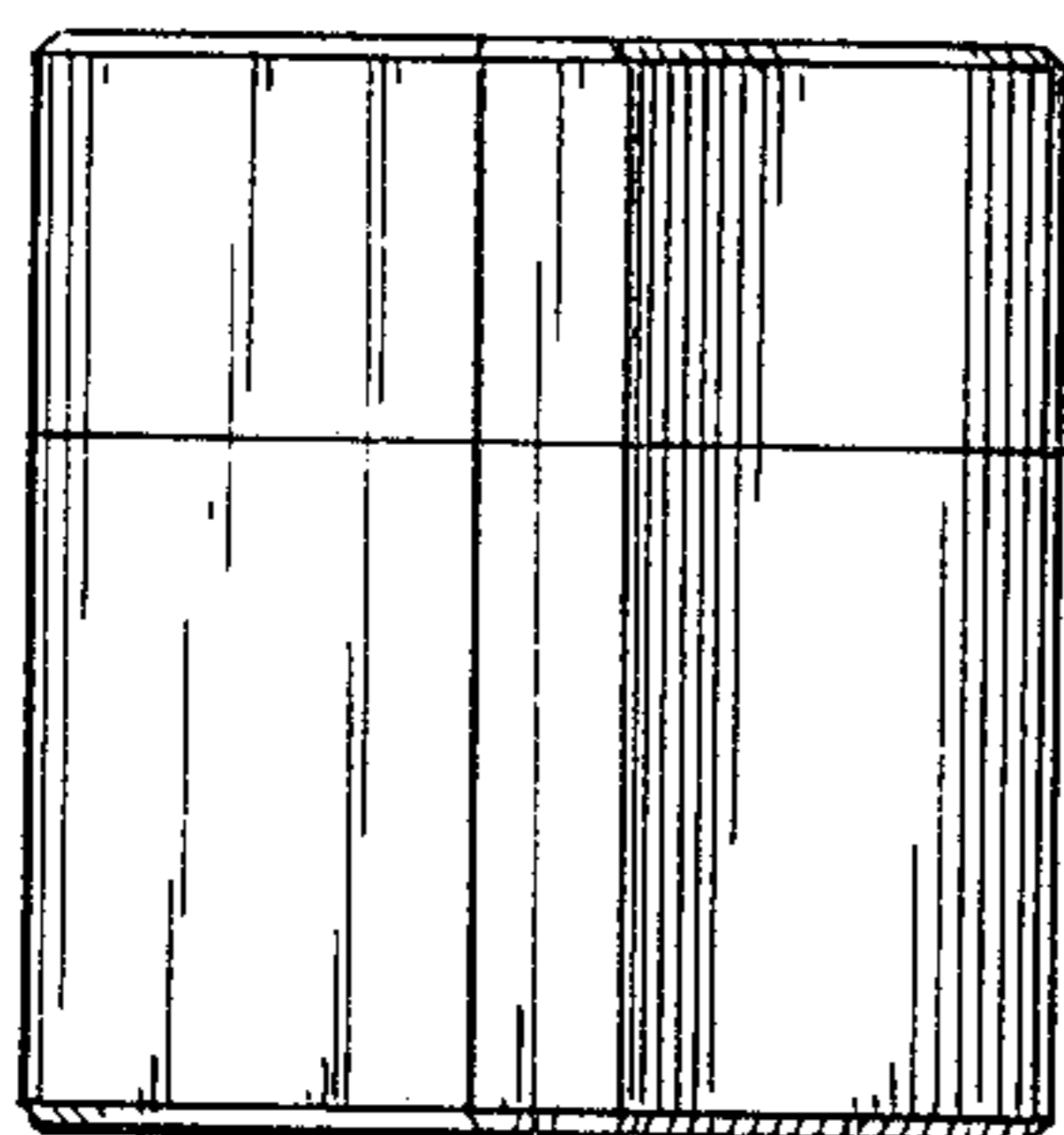


FIG. 4

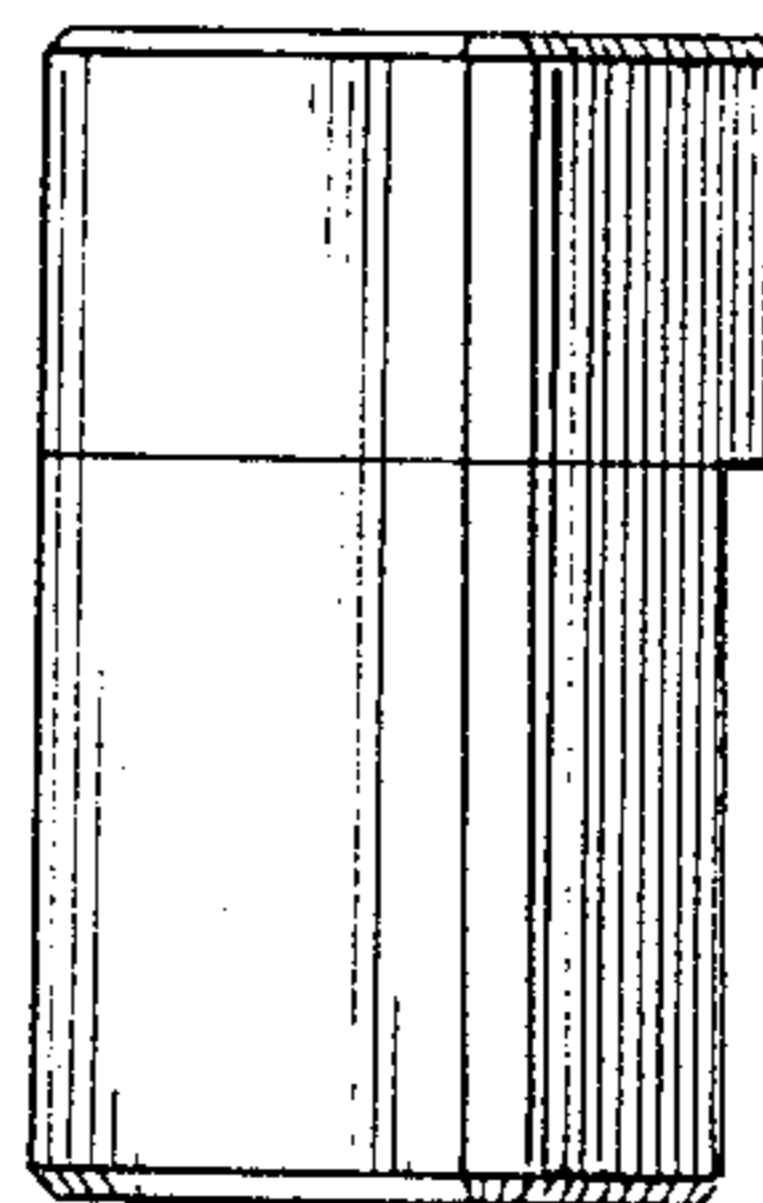


FIG. 5

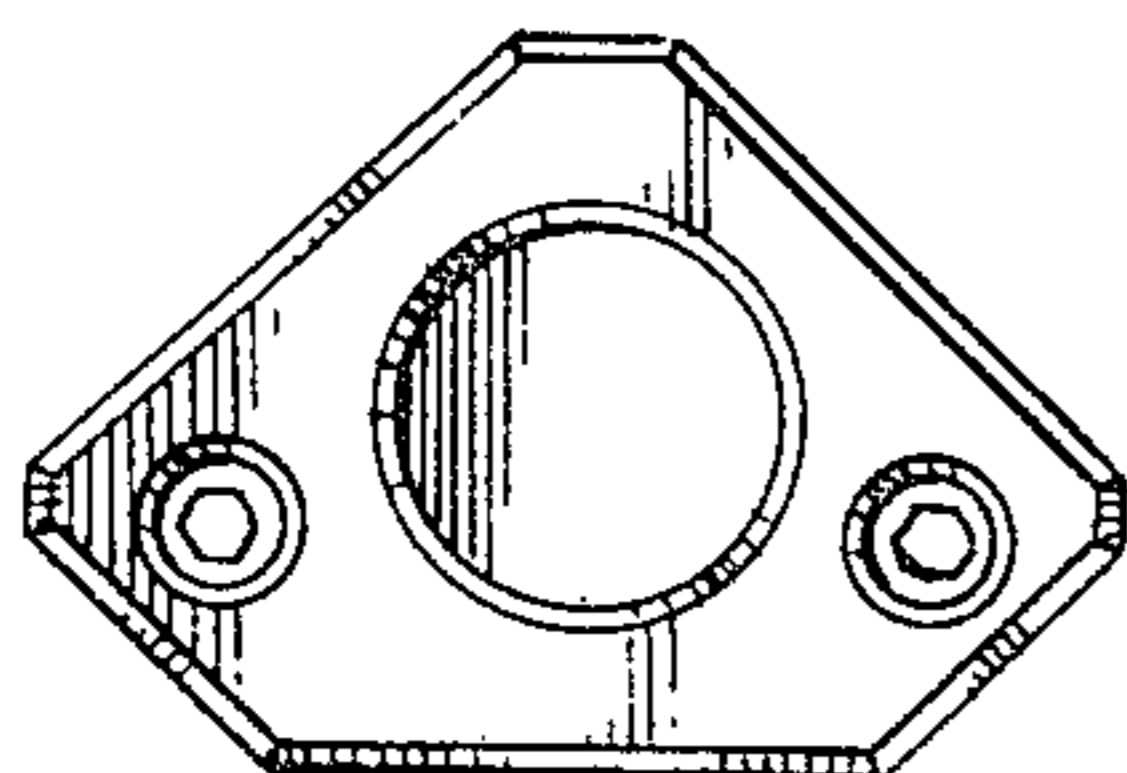


FIG. 6

