

[54] **HEAD FOR A PLUG GRIP**

[75] **Inventor: Roger Malagnoux,**  
Saint-Brice-Sous-Foret, France

[73] **Assignee: Societe d'Exploitation des**  
**Etablissements Pierre-Grehal,**  
Saint-Brice-Sous-Foret, France

[\*\*] **Term: 14 Years**

[21] **Appl. No.: 301,293**

[22] **Filed: Sep. 11, 1981**

[52] **U.S. Cl. .... D8/52; D8/48**

[58] **Field of Search ..... D8/14, 52, 48; 81/420,**  
81/415, 418, 5.1

[56] **References Cited**

**U.S. PATENT DOCUMENTS**

3,823,462 7/1974 Kanda ..... 81/420 X  
3,991,635 11/1976 Marone ..... D8/52 X

*Primary Examiner*—A. Hugo Word  
*Attorney, Agent, or Firm*—Browdy and Neimark

[57] **CLAIM**

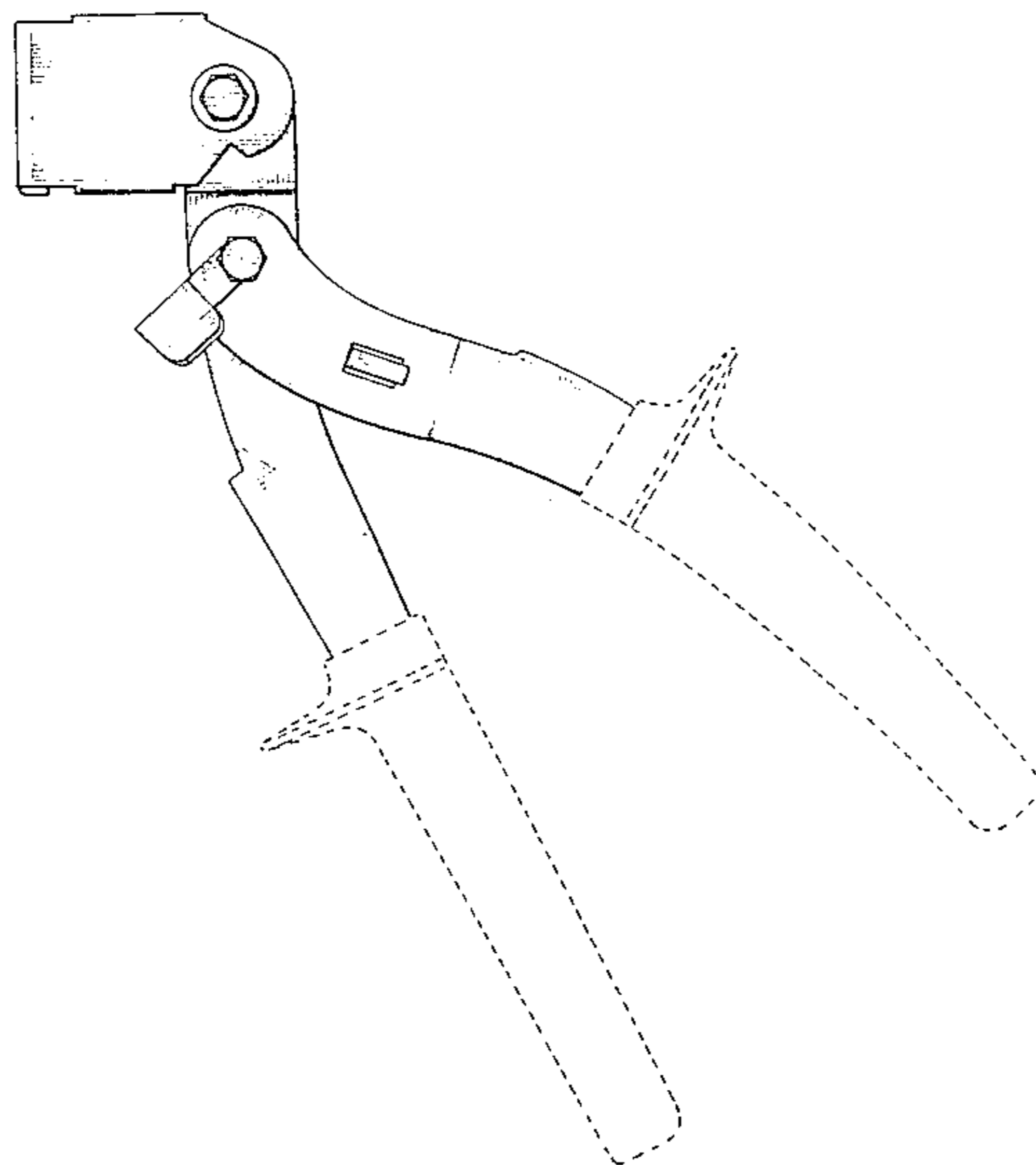
The ornamental design for a head for a plug grip, as shown and described.

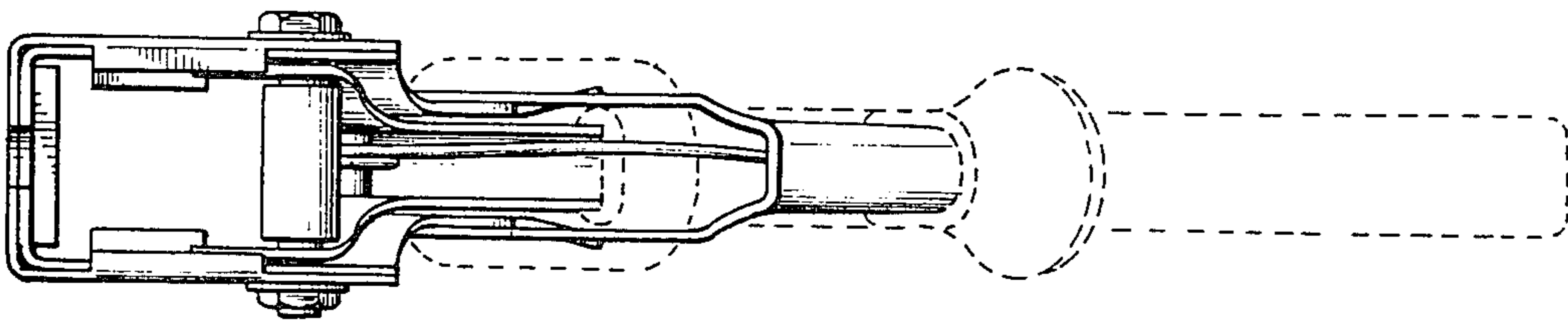
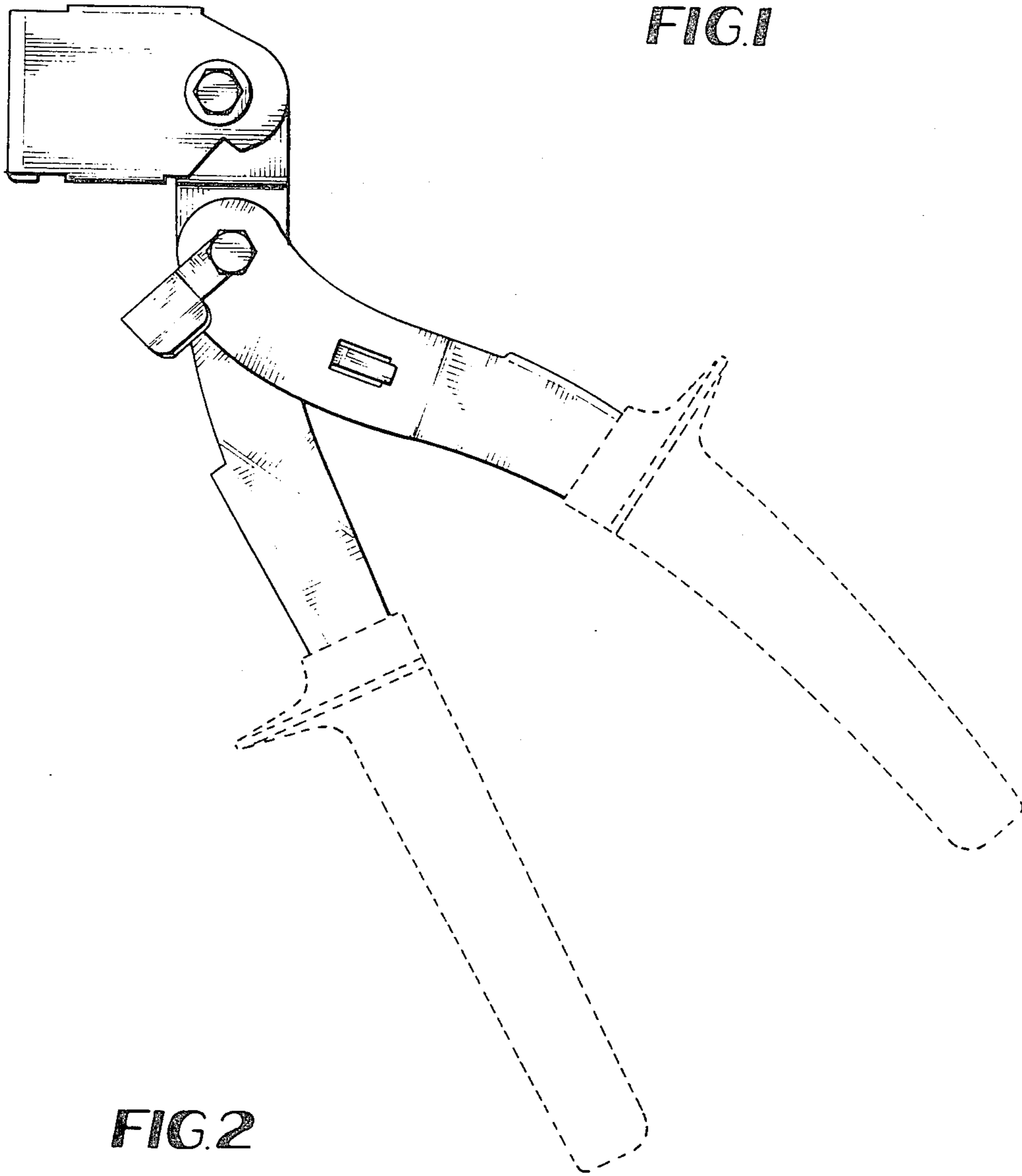
**DESCRIPTION**

FIG. 1 is a side elevational view of a head for a plug grip embodying my new design;  
FIG. 2 is a top plan view thereof;  
FIG. 3 is a front end elevational view thereof; and  
FIG. 4 is a rear end elevational view thereof.

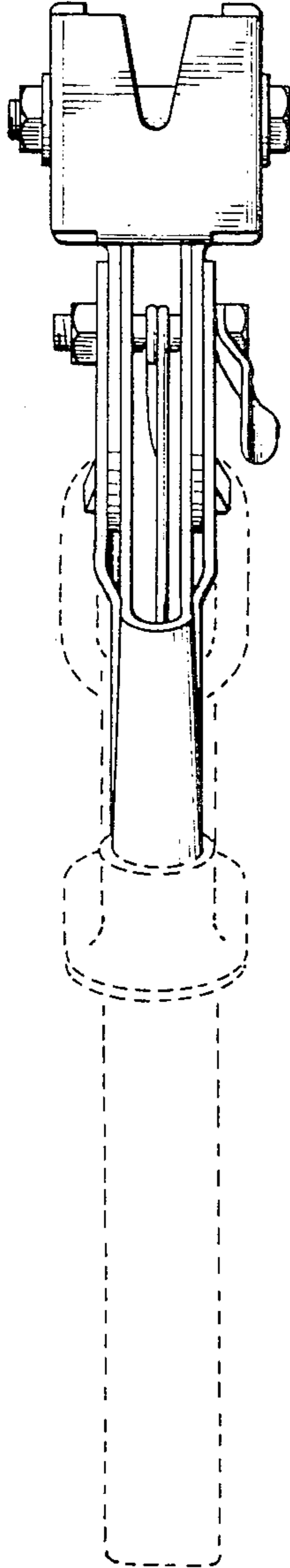
The side opposite that shown in FIG. 1 is a mirror image thereof.

The broken lines in the drawing are not part of my claimed design and are for illustrative purposes only.





**FIG. 3**



**FIG. 4**

