

- [54] **ROLL AND BAGEL SLICING JIG**
- [76] Inventor: **Leonard Levine**, 2978 Beechwood Blvd., Pittsburgh, Pa. 15217
- [**] Term: **14 Years**
- [21] Appl. No.: **455,220**
- [22] Filed: **Jan. 3, 1983**
- [52] U.S. Cl. **D7/43; D7/46**
- [58] Field of Search **D7/43, 46, 38, 72, 75; D9/341; D34/46; 269/288, 291, 295; 83/762, 761; D8/71**

4,399,989 8/1983 Baillie 83/762 X

OTHER PUBLICATIONS

Bloomingtondale's Cat., p. 11, Bagel Slicer by Soovia Janis, acrylic top center left.

Primary Examiner—Winifred E. Herrmann
Attorney, Agent, or Firm—Alan Ruderman

[57] **CLAIM**

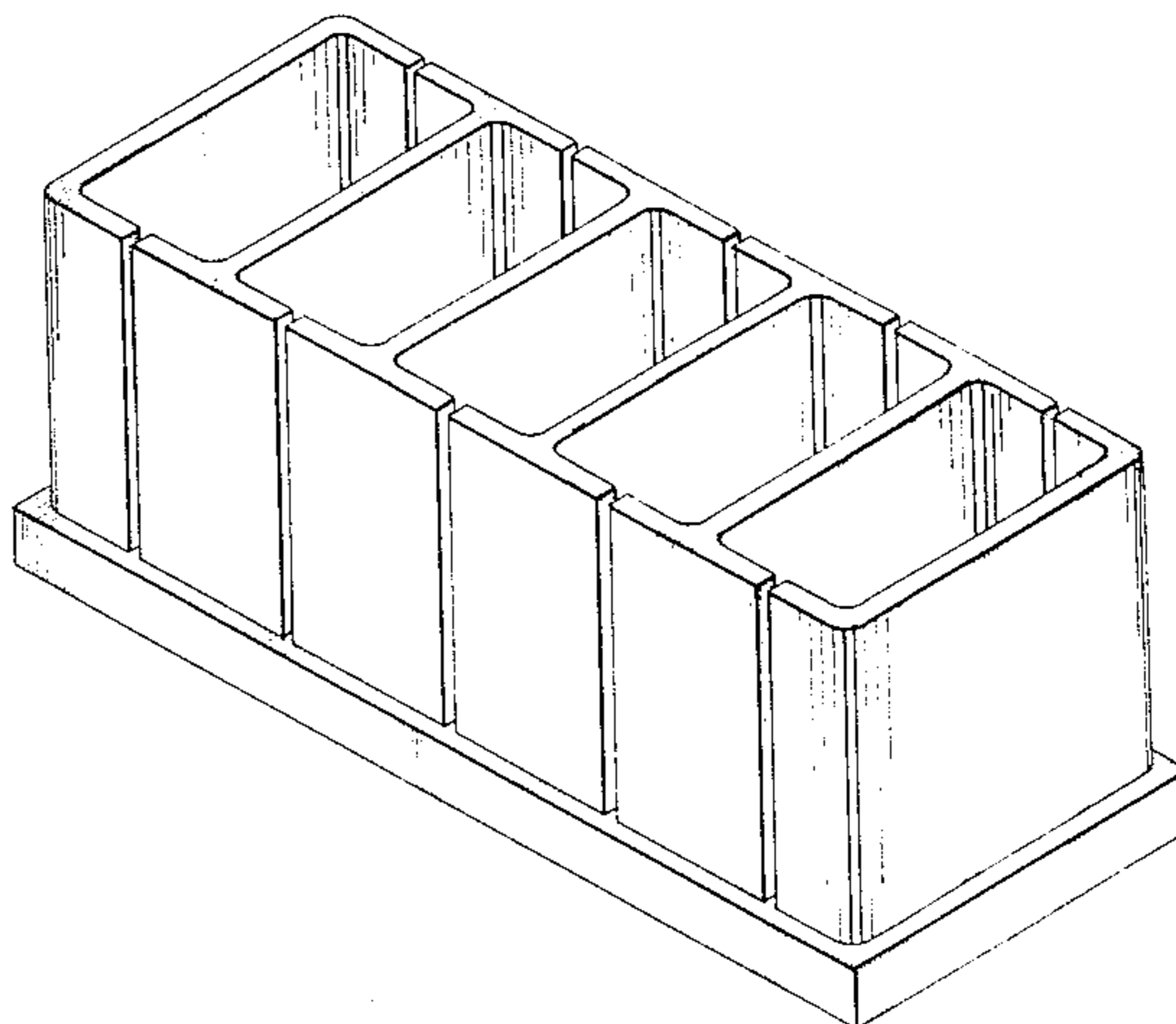
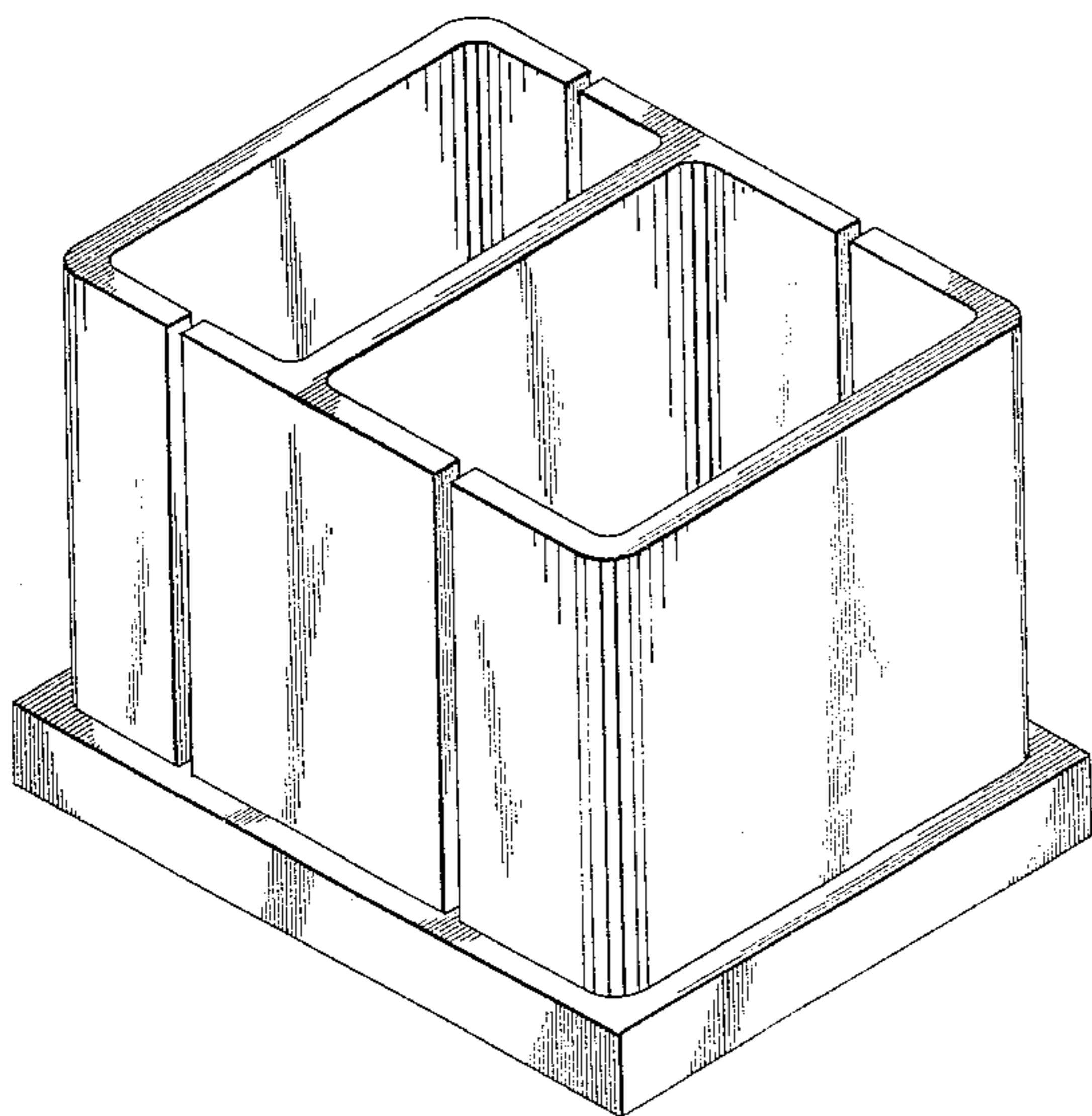
The ornamental design for a roll and bagel slicing jig, substantially as shown and described.

DESCRIPTION

FIG. 1 is a top front perspective view of a roll and bagel slicing jig showing my new design, a rear perspective view being a duplicate thereof; FIG. 2 is a bottom plan view thereof; FIG. 3 is a top front perspective view of a modification of my new design of FIG. 1, a rear perspective view being a duplicate thereof; and FIG. 4 is a bottom plan view thereof.

[56] **References Cited**
U.S. PATENT DOCUMENTS

| | | | |
|------------|---------|------------------|----------|
| D. 255,634 | 7/1980 | Zuck | D7/46 X |
| 1,462,717 | 7/1923 | Maus | D7/43 X |
| 2,652,087 | 9/1953 | Turpin | 83/762 |
| 4,125,046 | 11/1978 | Kroh et al. | D7/43 X |
| 4,341,376 | 7/1982 | Germinario | 83/762 X |



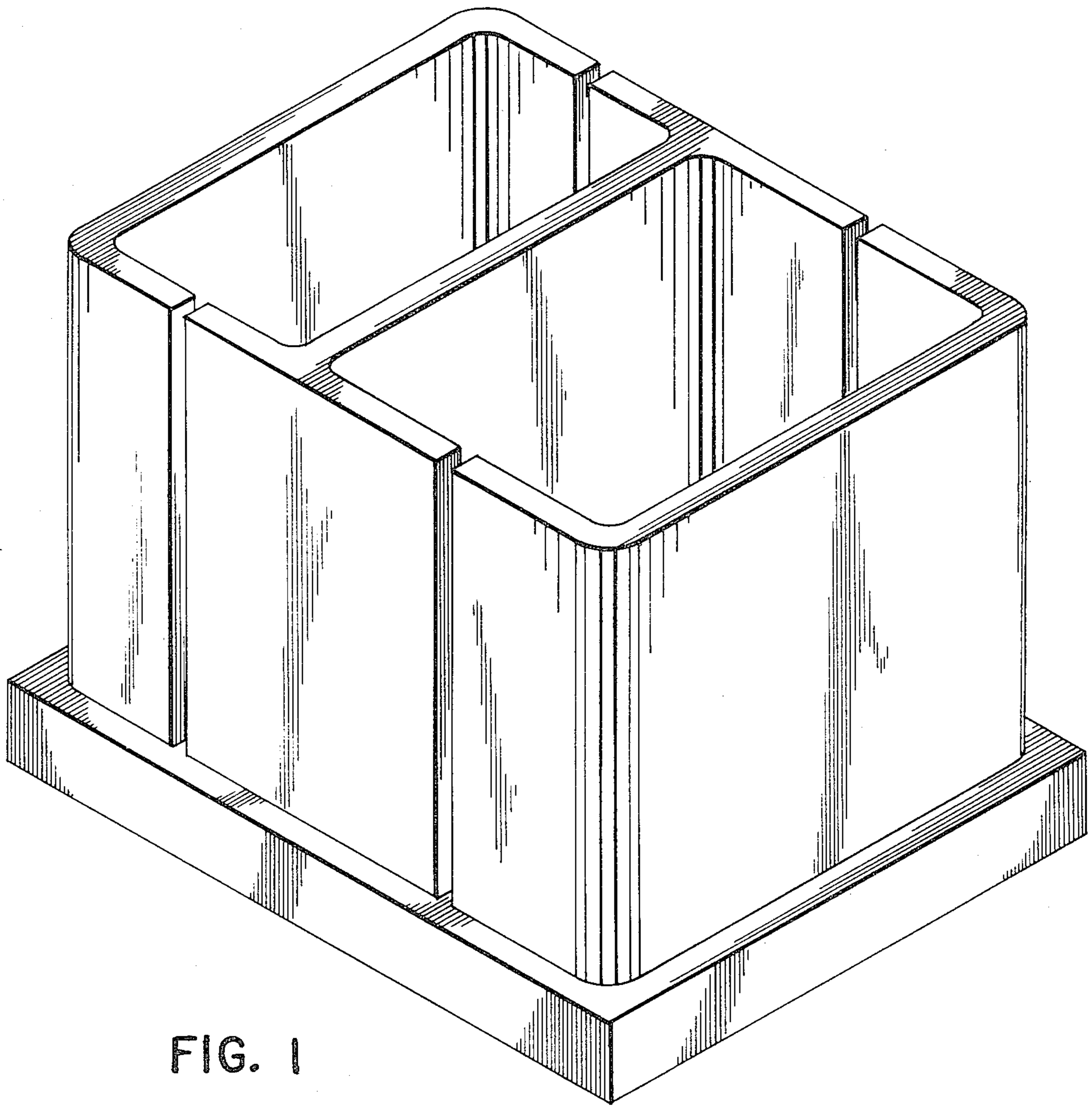


FIG. 1

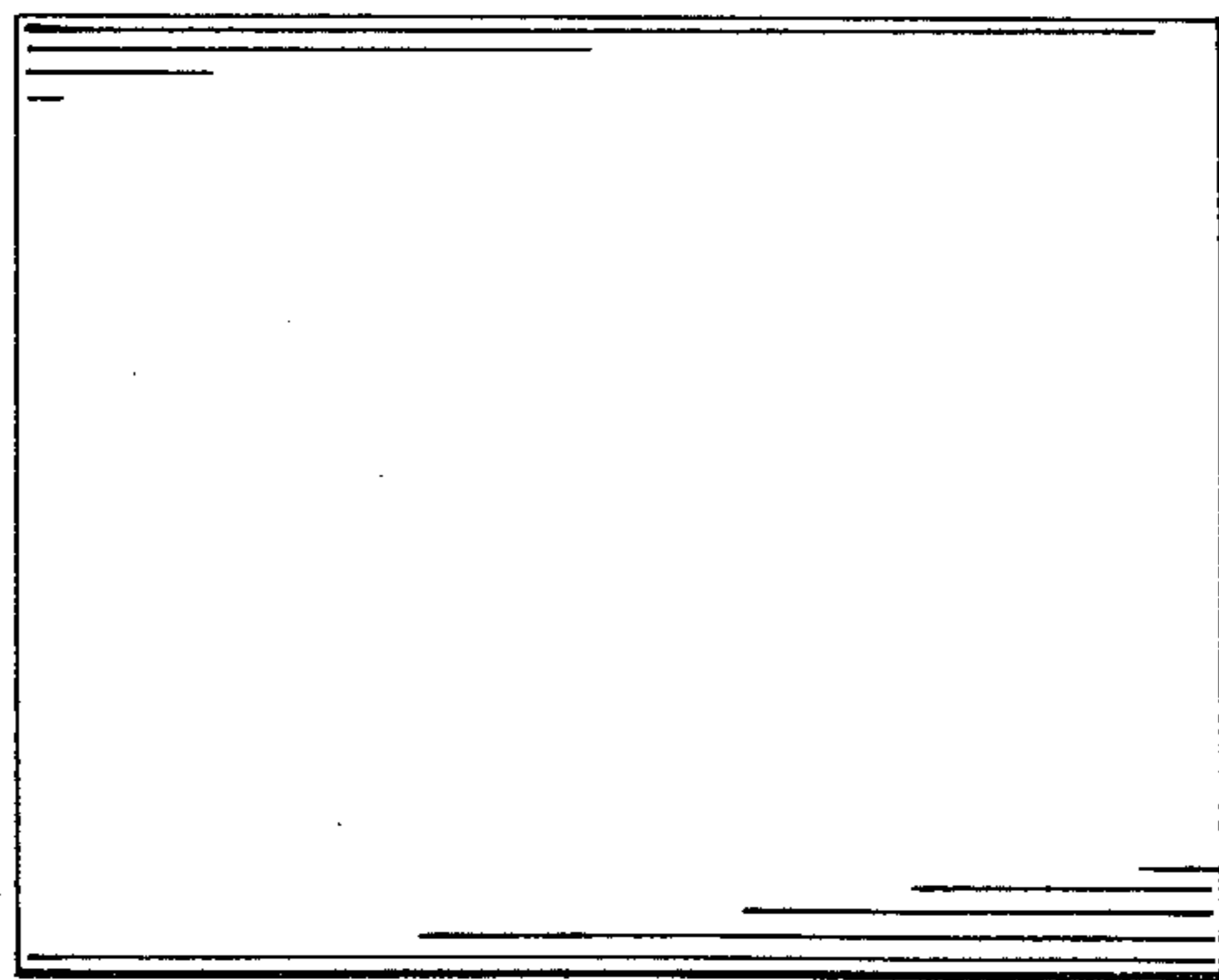


FIG. 2

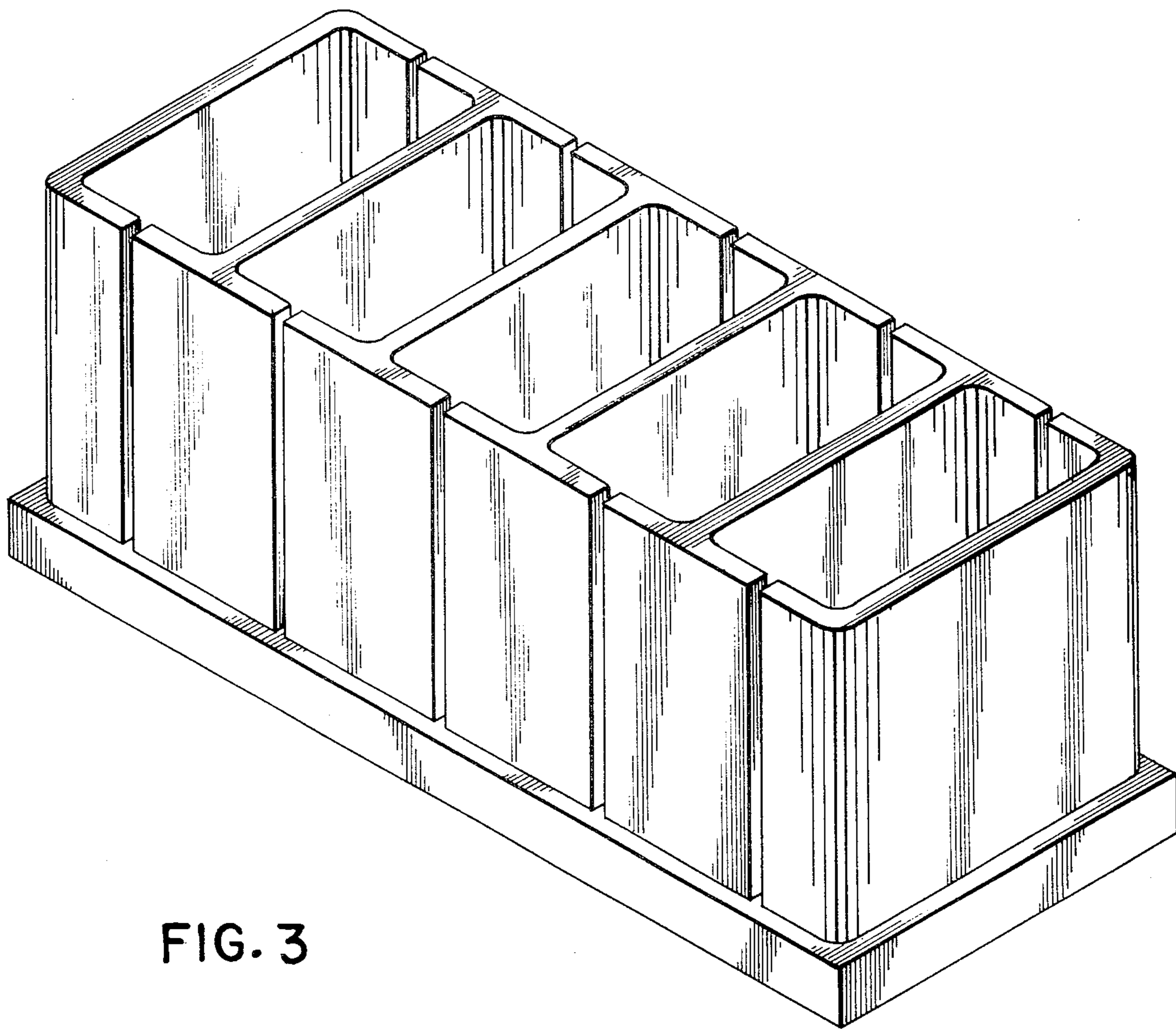


FIG. 3

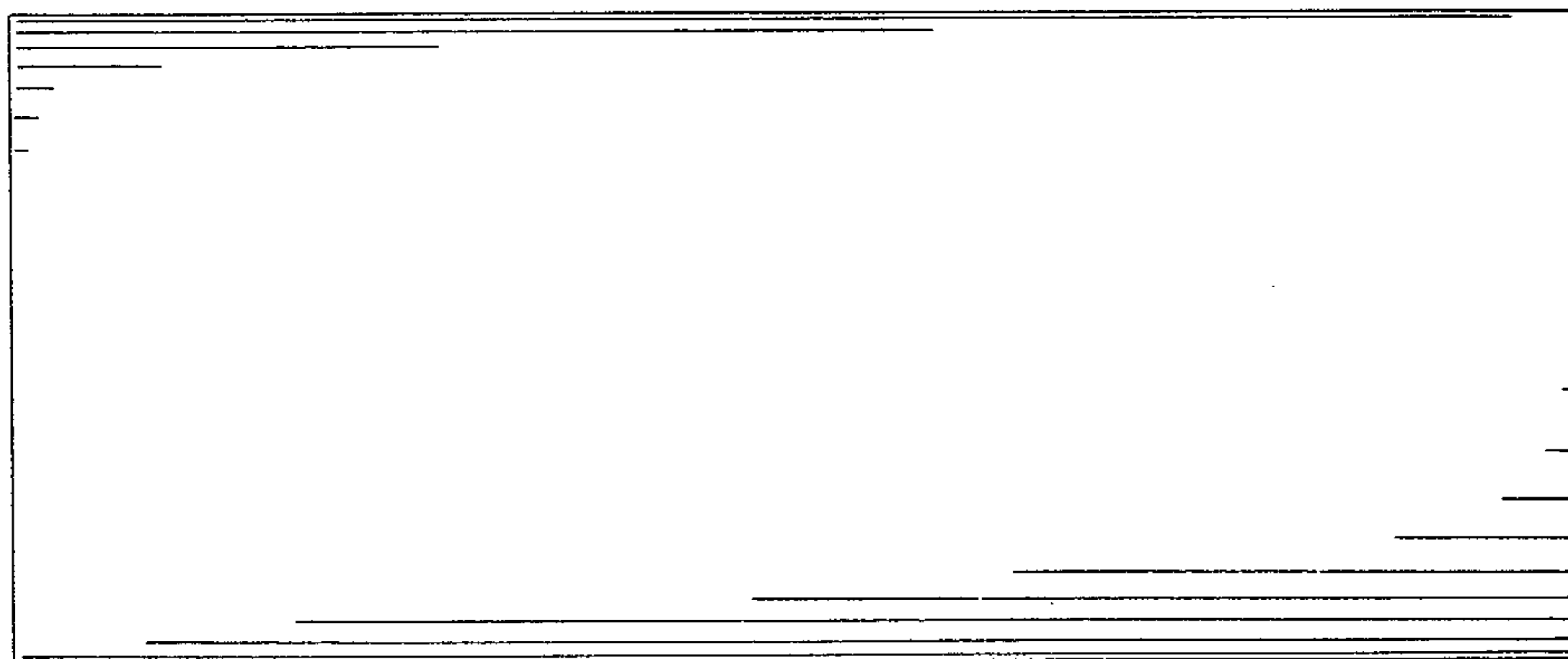


FIG. 4