

[54] **DISPLAY RACK FOR WATER SKIS**

[76] **Inventor: Robert R. Nagle**, 128 N. Lott, Gibson City, Ill. 60936

[**] **Term: 14 Years**

[21] **Appl. No.: 437,316**

[22] **Filed: Oct. 28, 1982**

[52] **U.S. Cl. D6/467; D6/468**

[58] **Field of Search D6/85, 181, 186, 188, D6/396, 449, 462, 466, 467, 468, 469; D7/73, 74; 211/60 SK, 60 R**

[56] **References Cited**

U.S. PATENT DOCUMENTS

D. 49,246	6/1916	Yarbrough	D6/468
D. 135,982	7/1943	Morris	D6/469
D. 159,310	7/1950	Ames	D6/469
D. 269,751	7/1983	Rieman	D6/467
2,291,381	7/1942	Drake	D7/74 X
3,874,512	4/1975	Wegley et al.	211/60 SK X
4,222,490	9/1980	Wood, Jr.	211/60 SK

OTHER PUBLICATIONS

Lyon Steel Equipment, Cat ©1948, p. 41; Vertical Bar Rack #3740 top right on page.

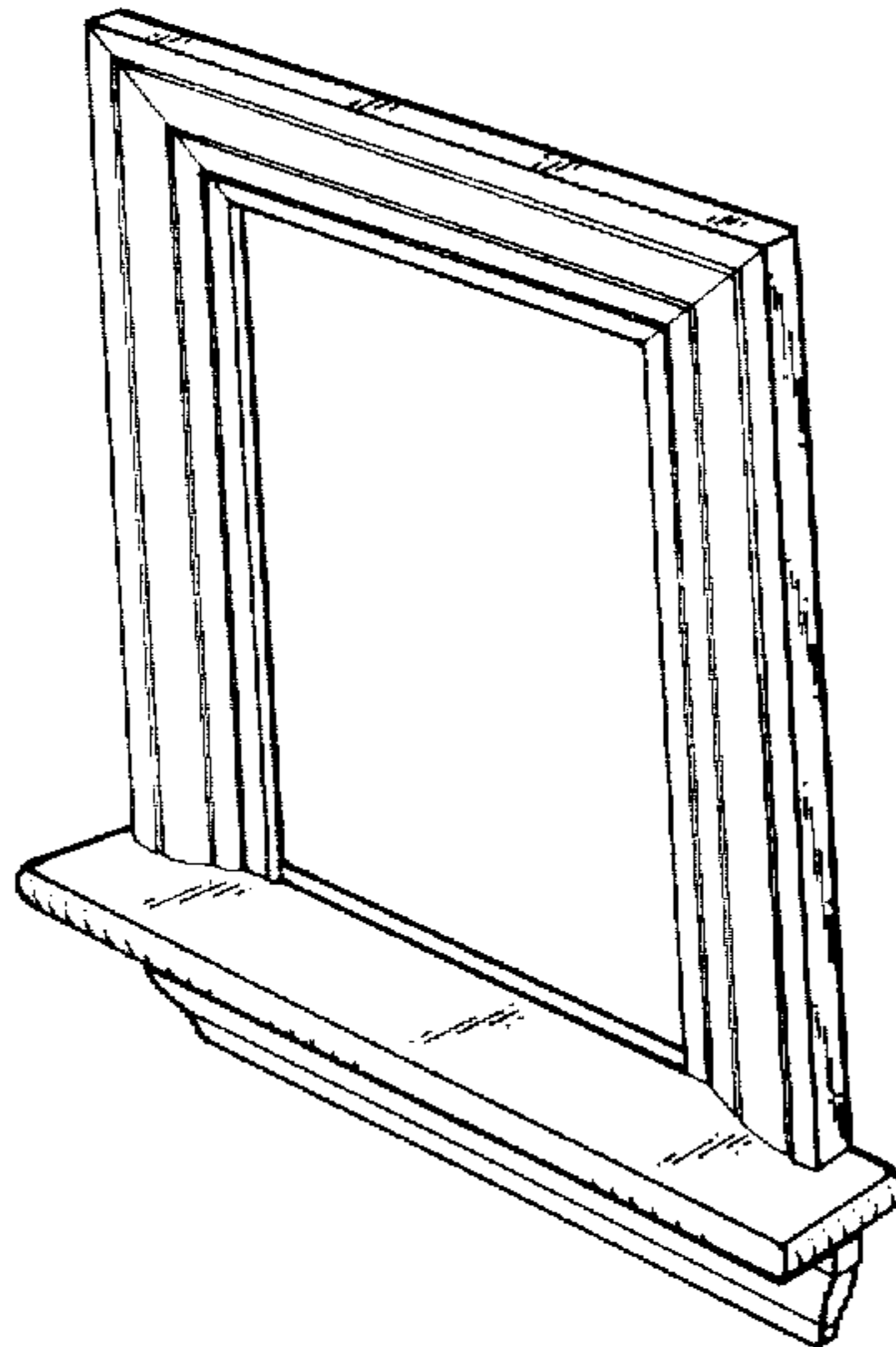
Primary Examiner—Carmen H. Vales
Attorney, Agent, or Firm—Alexander, Unikel, Bloom, Zalewa & Tenenbaum, Ltd.

[57] **CLAIM**

The ornamental design for a display rack for water skis, substantially as shown.

DESCRIPTION

FIG. 1 is a perspective view of a display rack for water skis showing my new design;
FIG. 2 is a front elevational view thereof;
FIG. 3 is a right side elevational view thereof;
FIG. 4 is a top plan view thereof;
FIG. 5 is a bottom plan view thereof;
FIG. 6 is a rear elevational view thereof;
FIG. 7 is a side elevational view of another embodiment of the display rack for water skis shown in FIG. 1;
FIG. 8 is a top plan view thereof; and
FIG. 9 is a bottom plan view thereof.



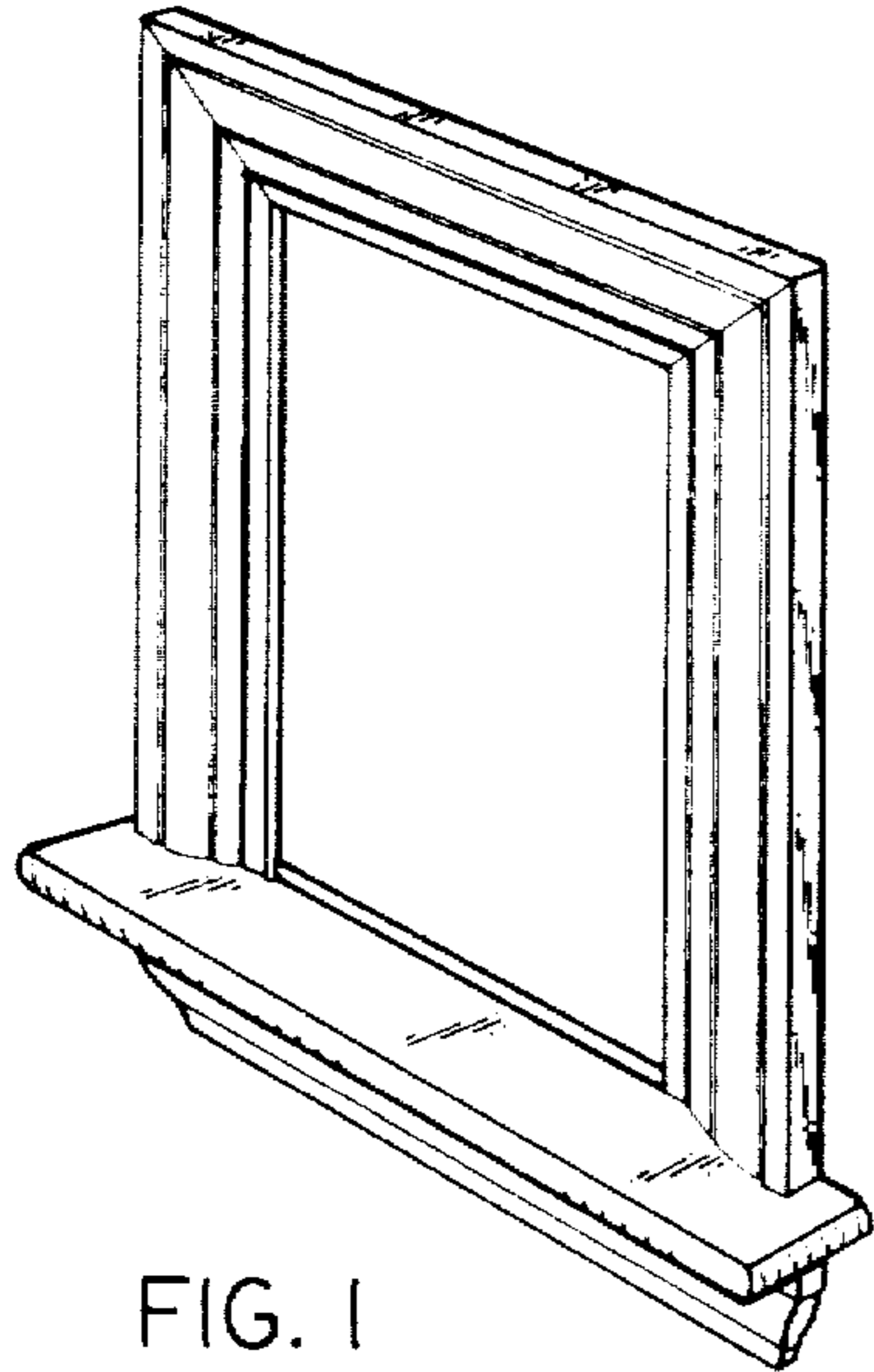


FIG. 1

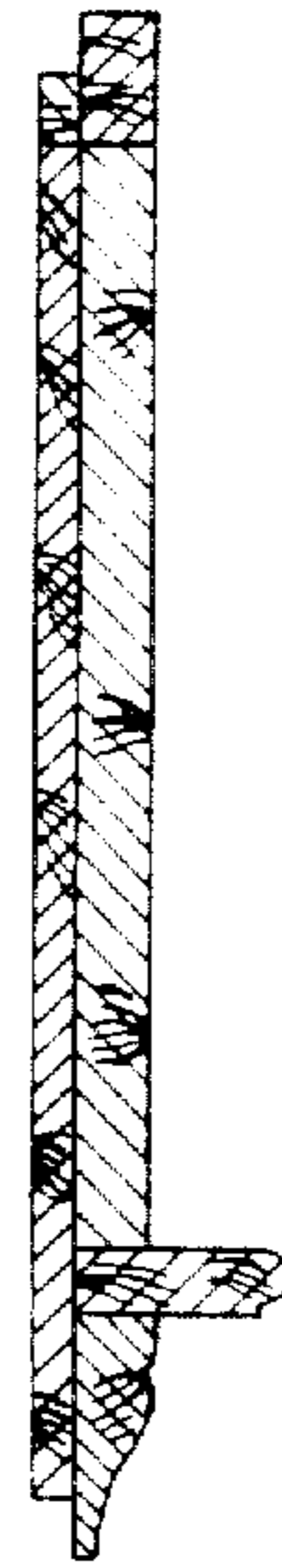


FIG. 5

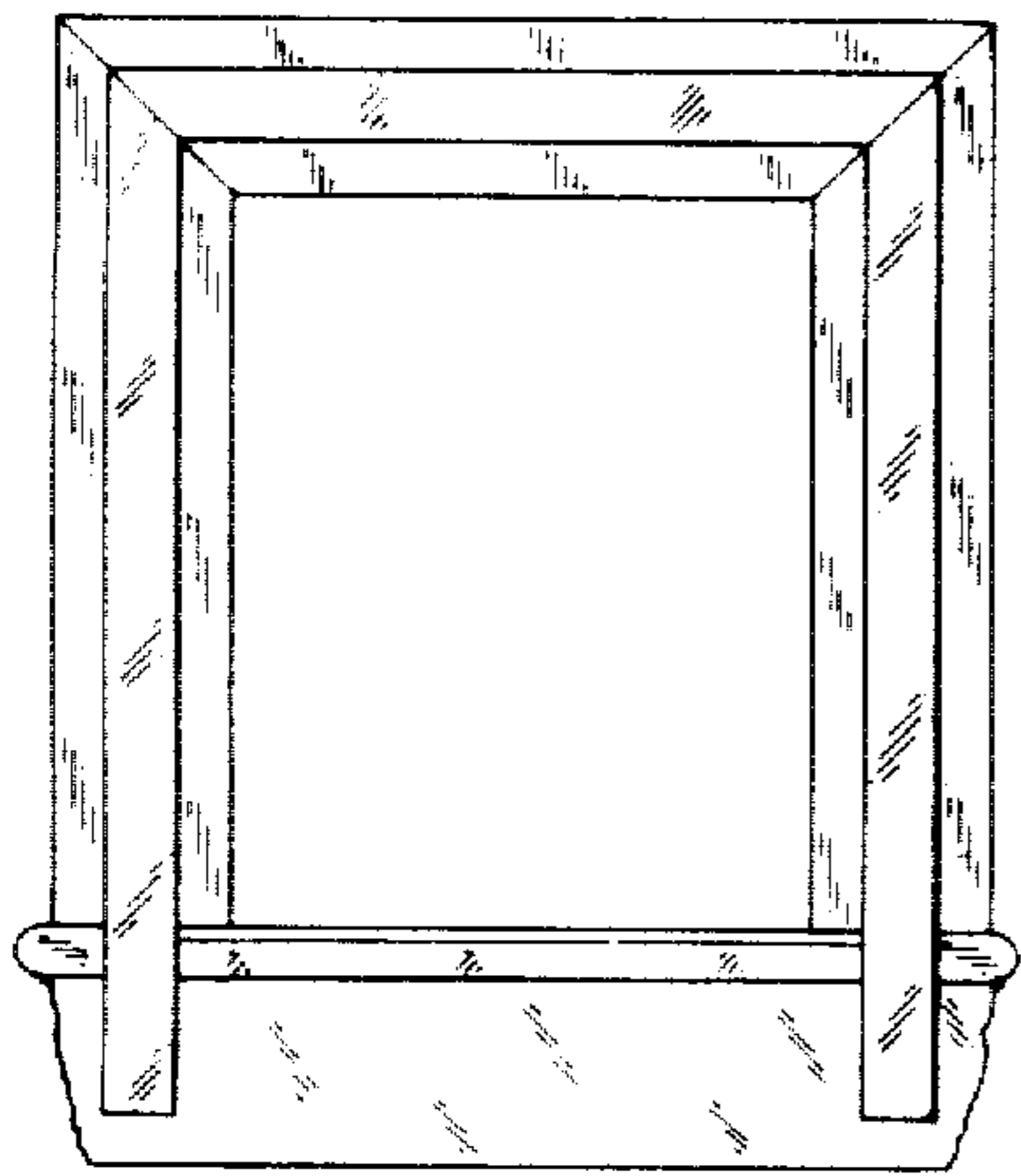


FIG. 4

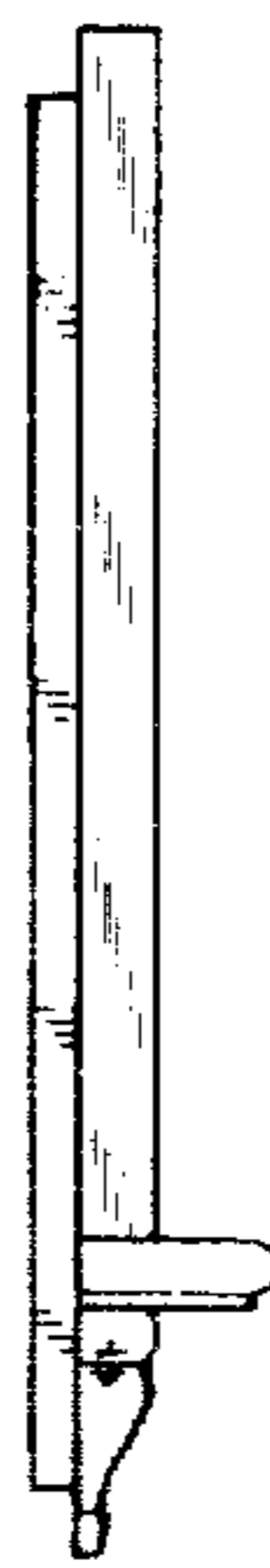


FIG. 3

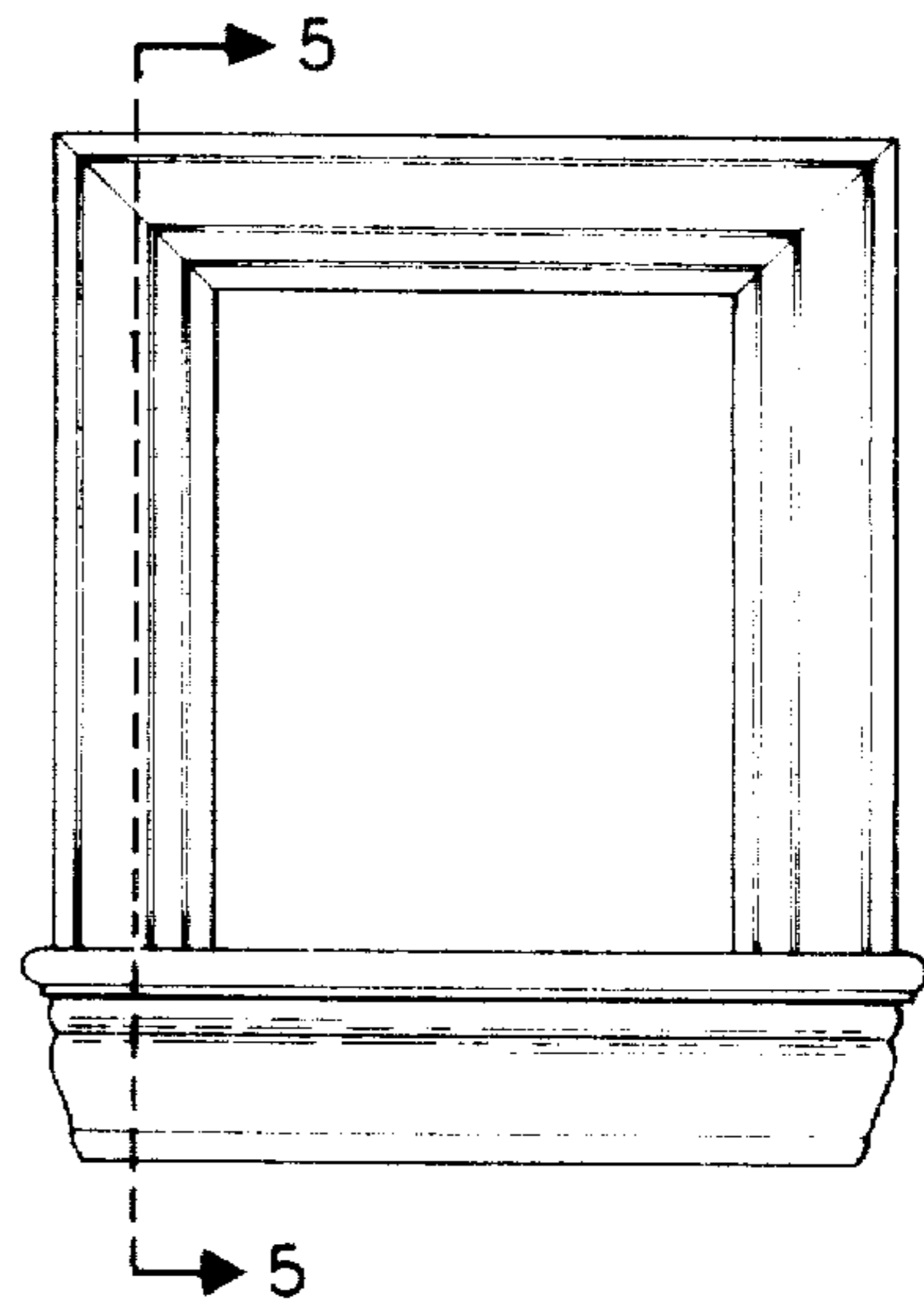


FIG. 2

FIG-5

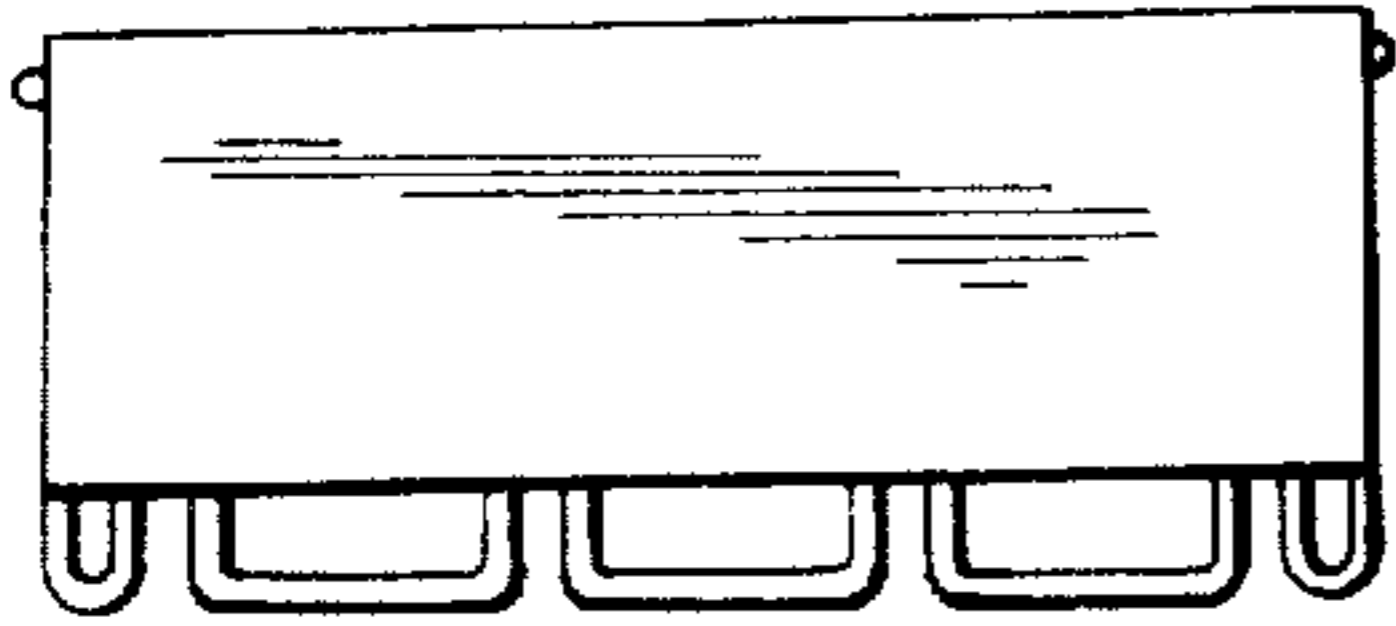


FIG-6

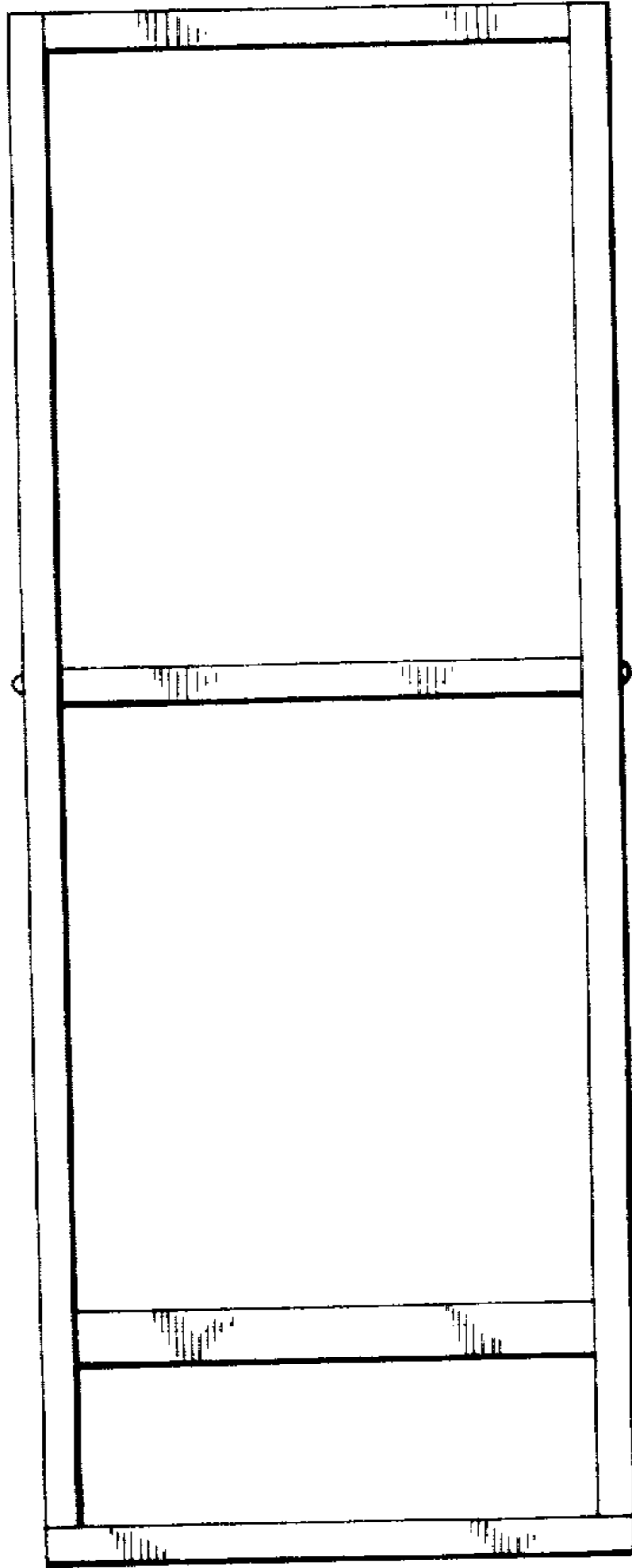


FIG-8

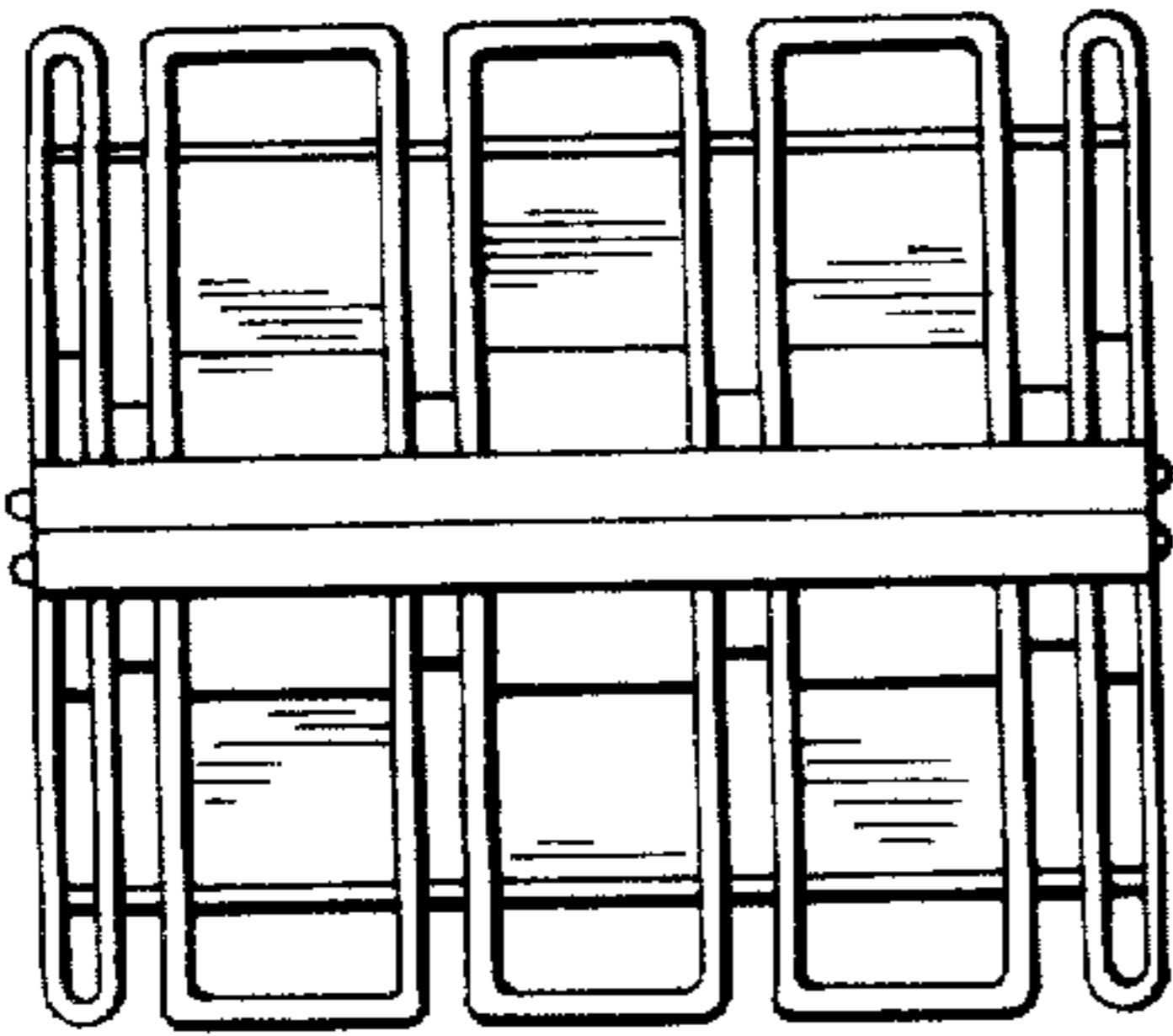


FIG-7

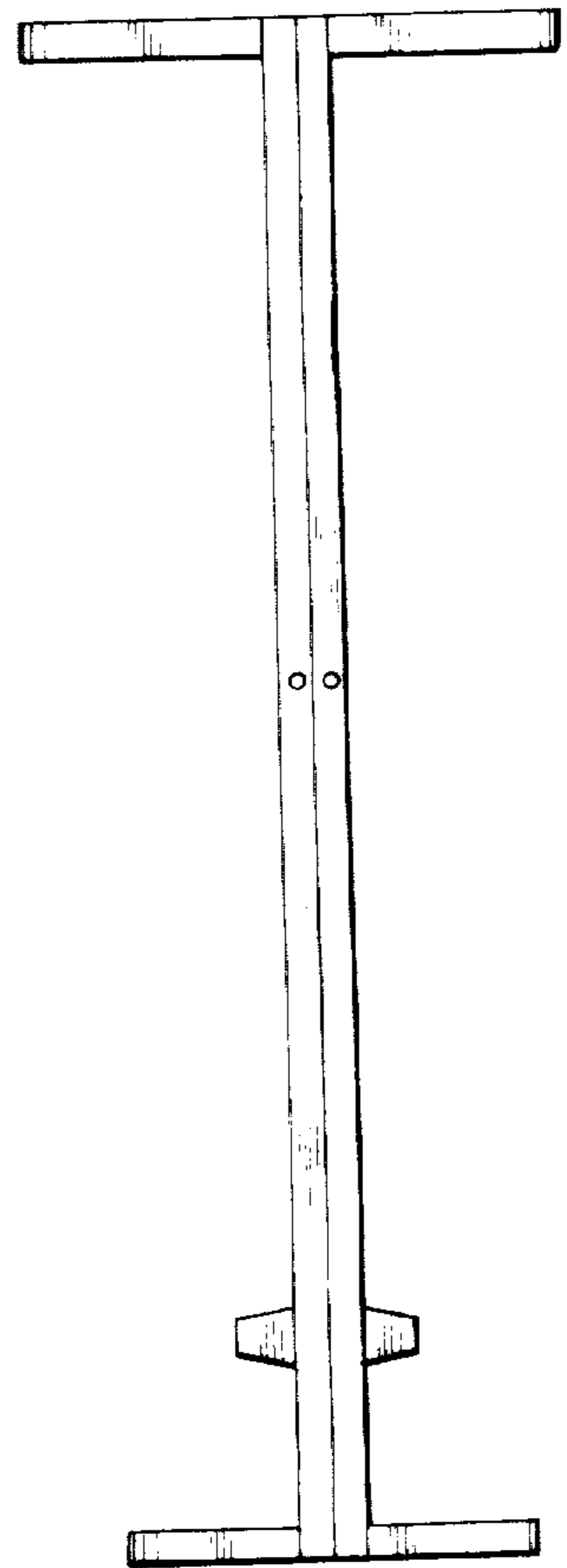
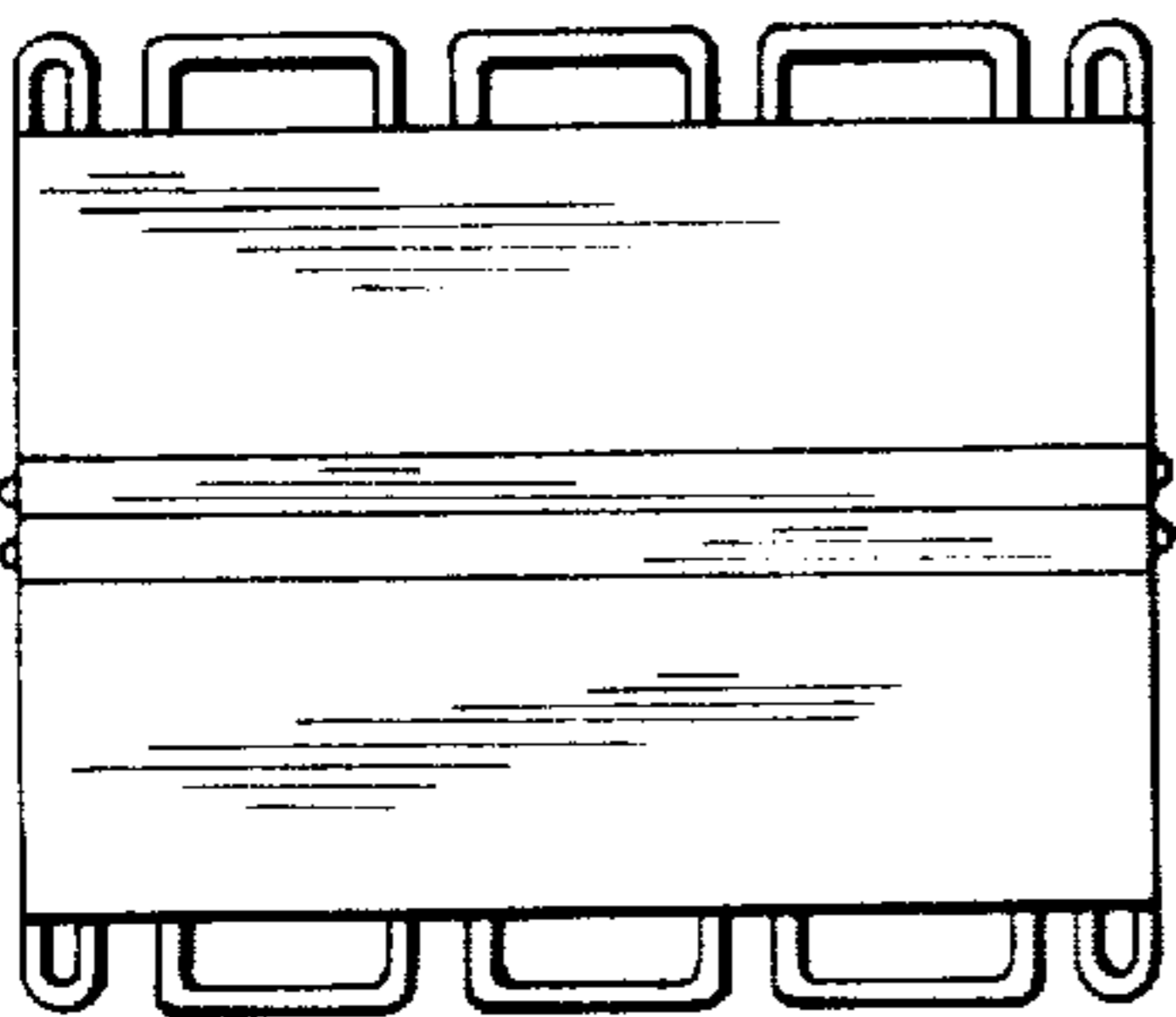


FIG-9



UNITED STATES PATENT AND TRADEMARK OFFICE
CERTIFICATE OF CORRECTION

PATENT NO. : Des. 277,064

Page 1 of 3

DATED : January 8, 1985

INVENTOR(S) : Robert R. Nagle

It is certified that error appears in the above-identified patent and that said Letters Patent is hereby corrected as shown below:

The title page should be deleted to appear as per attached title page.

Sheet 1 of 2 of the drawings consisting of figure 1-5 should be deleted to appear as per attached sheet.

Signed and Sealed this

Eighteenth Day of June 1985

[SEAL]

Attest:

DONALD J. QUIGG

Attesting Officer

Acting Commissioner of Patents and Trademarks

United States Patent [19]
Nagle

[11] Patent Number: **Des. 277,064**

[45] Date of Patent: **** Jan. 8, 1985**

[54] DISPLAY RACK FOR WATER SKIS

[76] Inventor: Robert R. Nagle, 128 N. Lott, Gibson City, Ill. 60936

[**] Term: 14 Years

[21] Appl. No.: 437,316

[22] Filed: Oct. 28, 1982

[52] U.S. Cl. D6/467; D6/468

[58] Field of Search D6/85, 181, 186, 188,
 D6/396, 449, 462, 466, 467, 468, 469; D7/73,
 74; 211/60 SK, 60 R

[56] **References Cited**

U.S. PATENT DOCUMENTS

D. 49,246	6/1916	Yarbrough	D6/468
D. 135,982	7/1943	Morris	D6/469
D. 159,310	7/1950	Ames	D6/469
D. 269,751	7/1983	Rieman	D6/467
2,291,381	7/1942	Drake	D7/74 X
3,874,512	4/1975	Wegley et al.	211/60 SK X
4,222,490	9/1980	Wood, Jr.	211/60 SK

OTHER PUBLICATIONS

Lyon Steel Equipment, Cat ©1948, p. 41; Vertical Bar Rack #3740 top right on page.

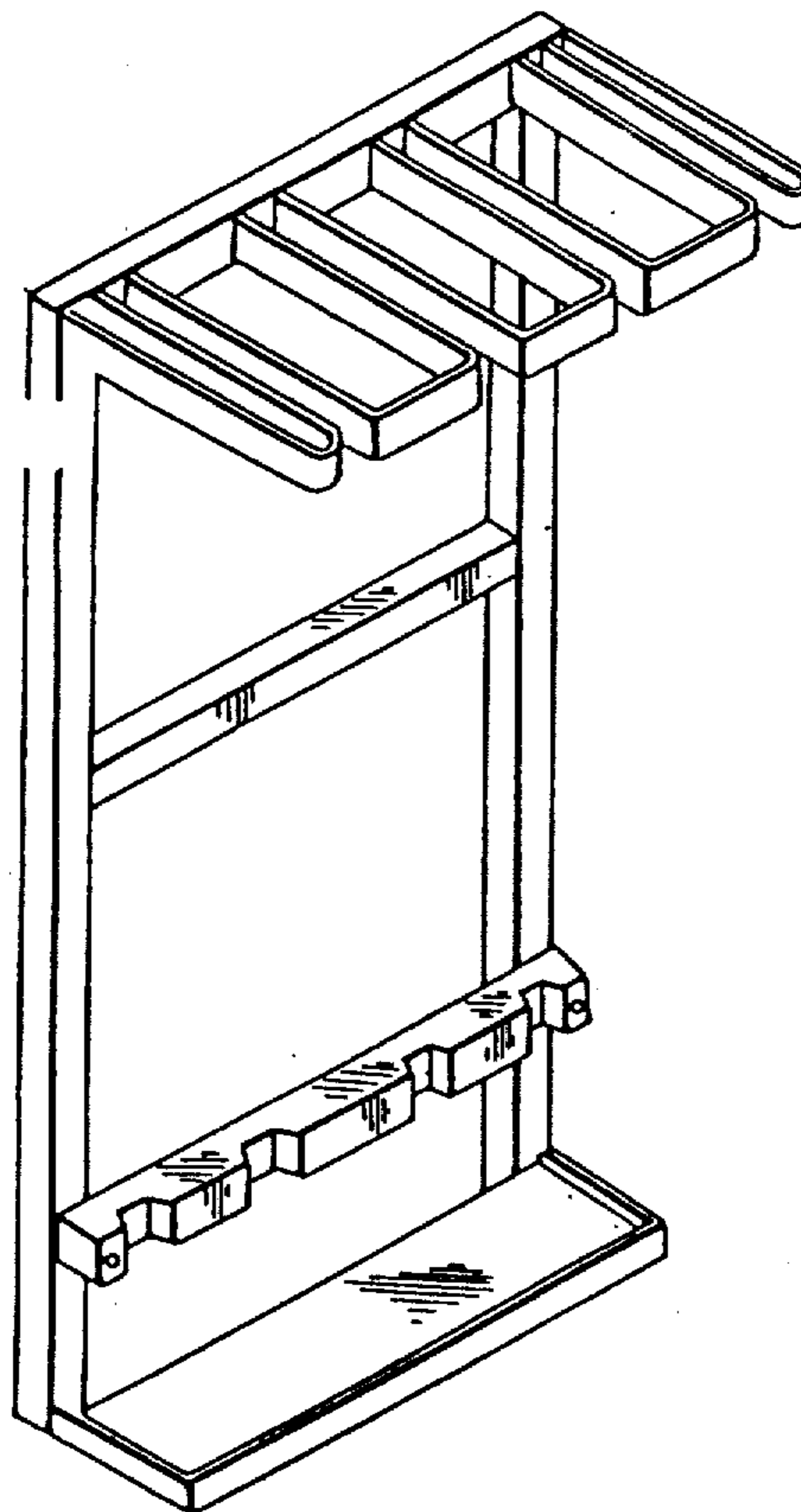
Primary Examiner—Carmen H. Vales
Attorney, Agent, or Firm—Alexander, Unikel, Bloom, Zalewa & Tenenbaum, Ltd.

[57] **CLAIM**

The ornamental design for a display rack for water skis, substantially as shown.

DESCRIPTION

FIG. 1 is a perspective view of a display rack for water skis showing my new design;
 FIG. 2 is a front elevational view thereof;
 FIG. 3 is a right side elevational view thereof;
 FIG. 4 is a top plan view thereof;
 FIG. 5 is a bottom plan view thereof;
 FIG. 6 is a rear elevational view thereof;
 FIG. 7 is a side elevational view of another embodiment of the display rack for water skis shown in FIG. 1;
 FIG. 8 is a top plan view thereof; and
 FIG. 9 is a bottom plan view thereof.



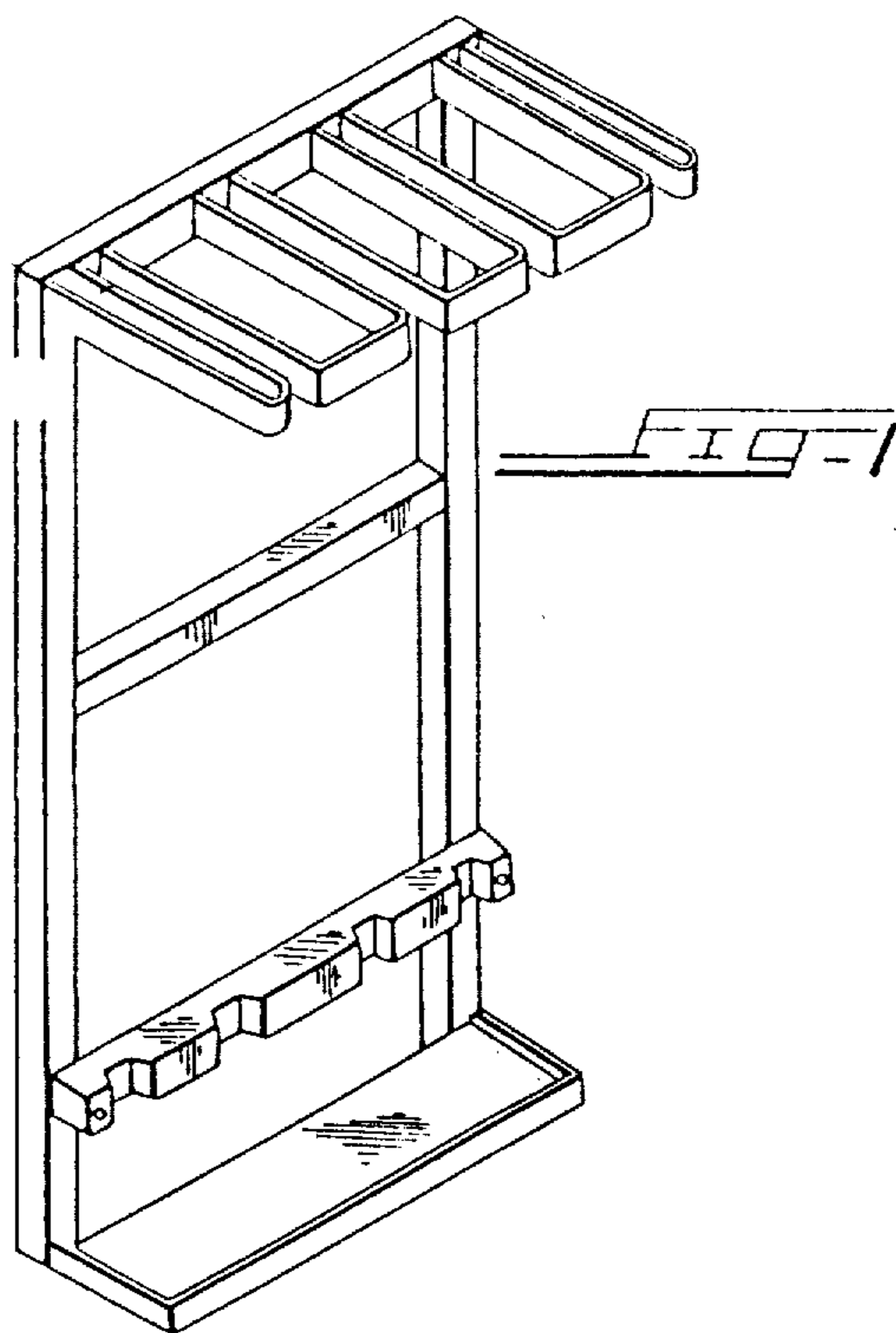


FIG-1

FIG-2

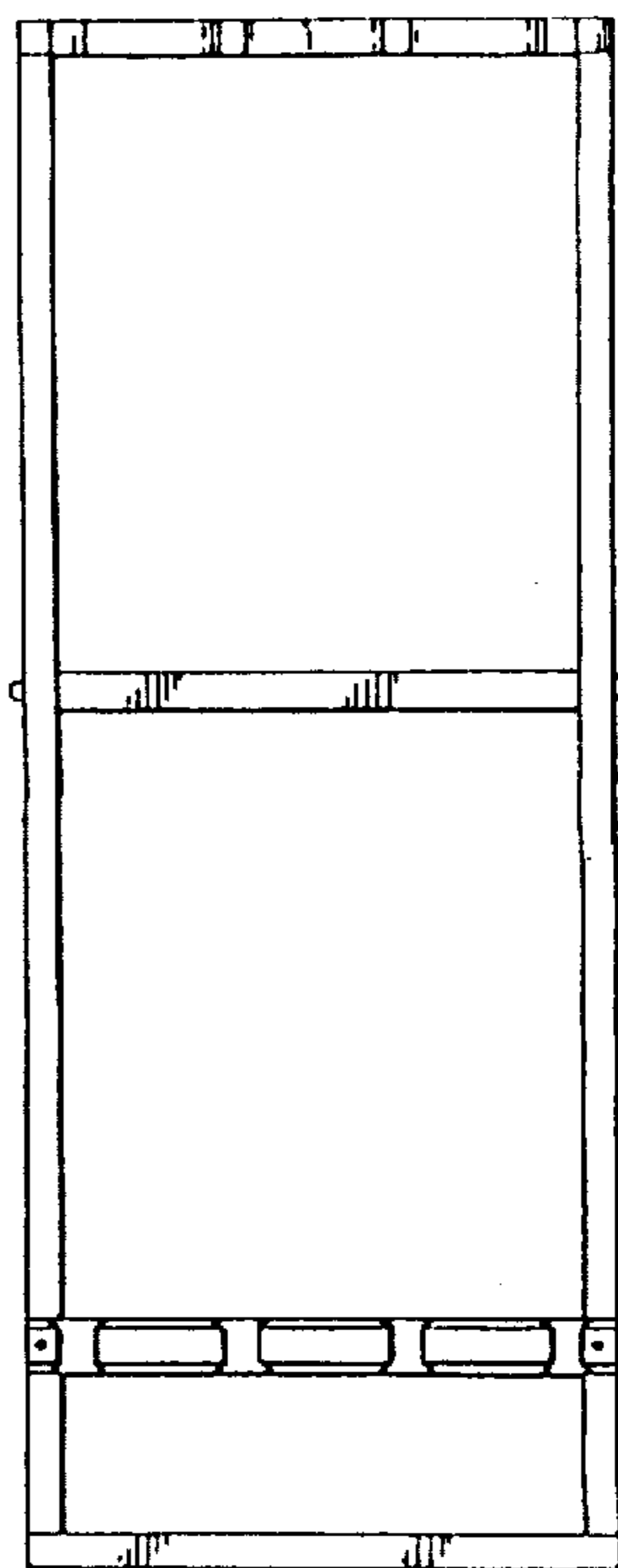


FIG-3



FIG-4

