

[54] **WORM GEAR UNIT FOR VENETIAN
BLINDS OR THE LIKE**

[75] Inventor: **Hans R. Brolin**, Mullsjö, Sweden
[73] Assignee: **AB Perma System**, Mullsjö, Sweden
[**] Term: **14 Years**
[21] Appl. No.: **355,316**
[22] Filed: **Mar. 8, 1982**

[30] **Foreign Application Priority Data**

Jan. 15, 1982 [SE] Sweden 82-0077
[52] **U.S. Cl.** **D6/580**
[58] **Field of Search** **D6/205, 208.1; D8/356,
D8/360, 363; 160/176-178**

[56] **References Cited**
PUBLICATIONS

Sweet's Catalog File, ©1978, McGraw-Hill, N. Y.,

Section 12.9/Mo, p. 4, Illustrations of "Torque Wand"& Headrail.

Primary Examiner—Jane E. Corrigan
Attorney, Agent, or Firm—Witherspoon & Hargest

[57] **CLAIM**

The ornamental design for a worm gear unit for venetian blinds or the like, as shown.

DESCRIPTION

FIG. 1 is a front, top and right side perspective view of a worm gear unit for venetian blinds or the like showing my new design;
FIG. 2 is a rear, bottom and right side perspective view;
FIG. 3 is a right side elevated view;
FIG. 4 is a top plan view;
FIG. 5 is a bottom plan view;
FIG. 6 is a front elevational view; and
FIG. 7 is a rear elevational view.

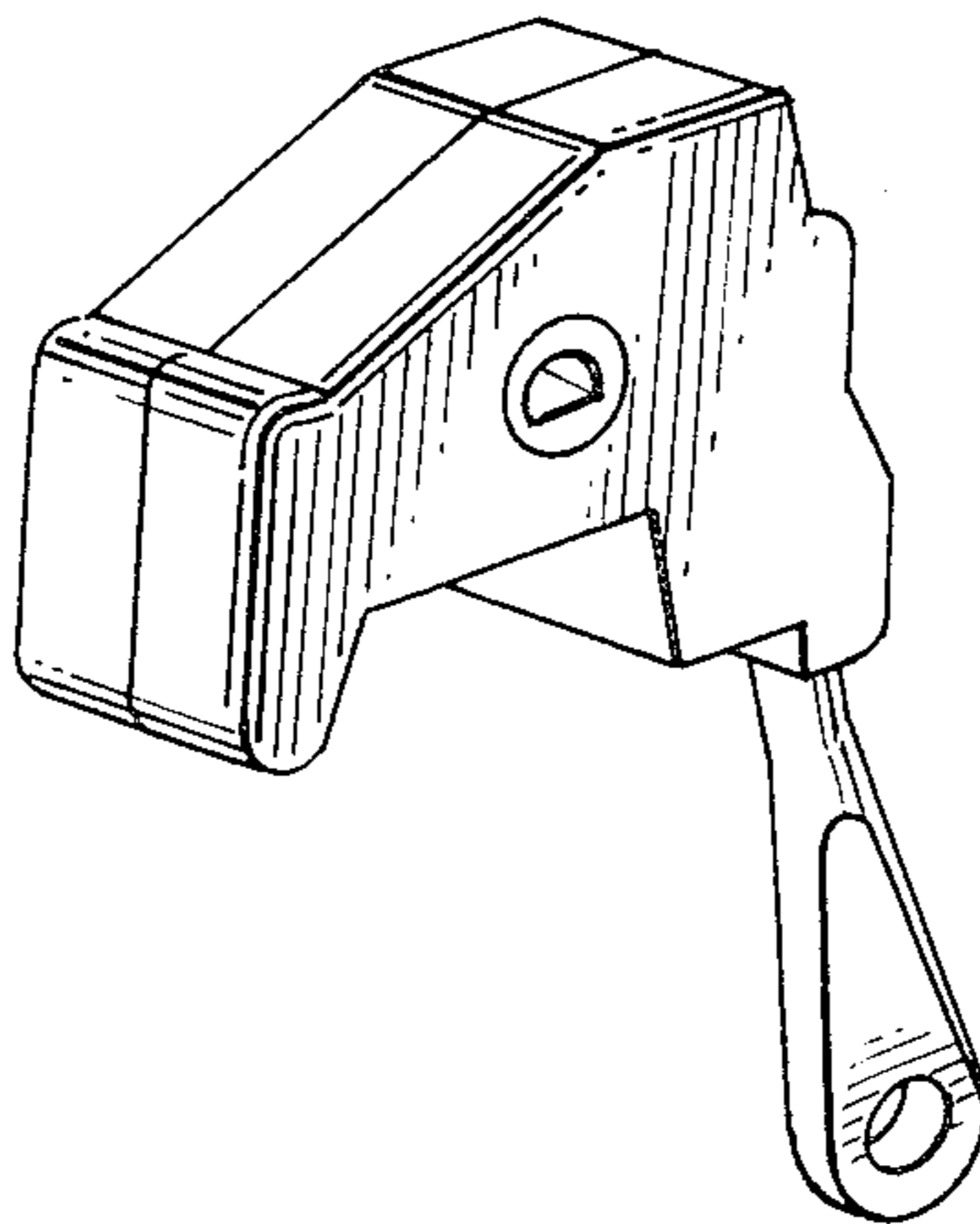


FIG. 1.

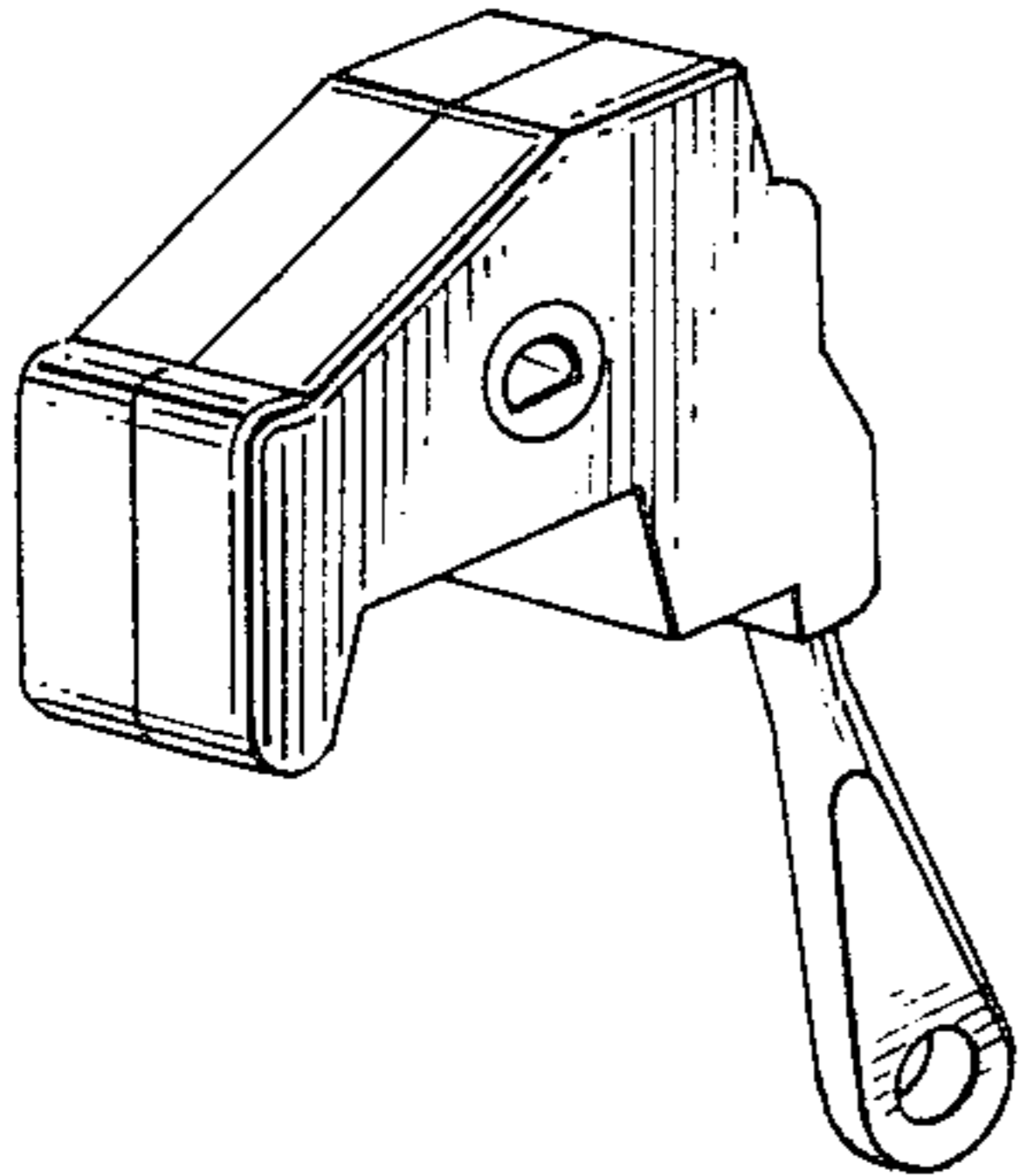


FIG. 2.

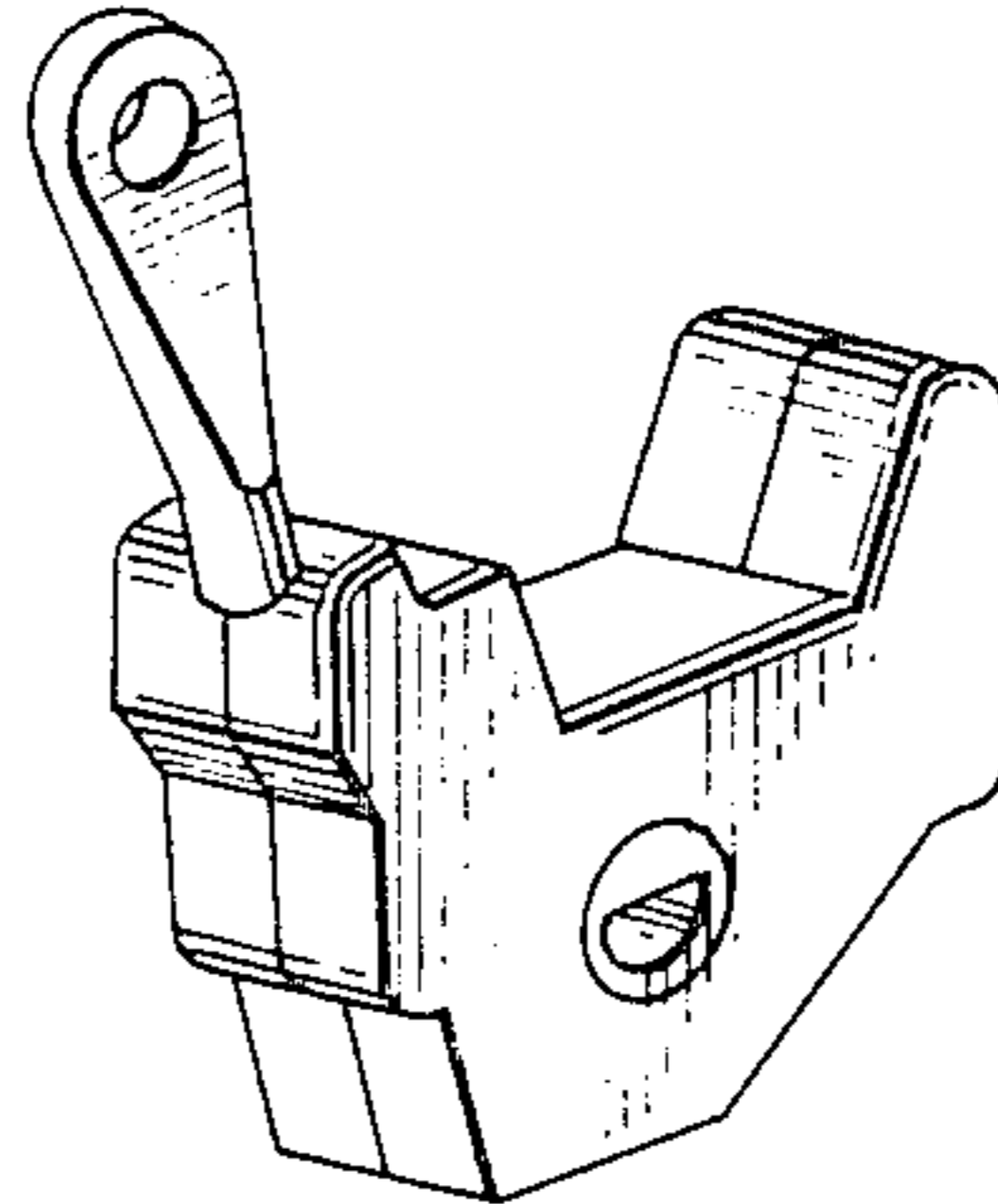


FIG. 4.

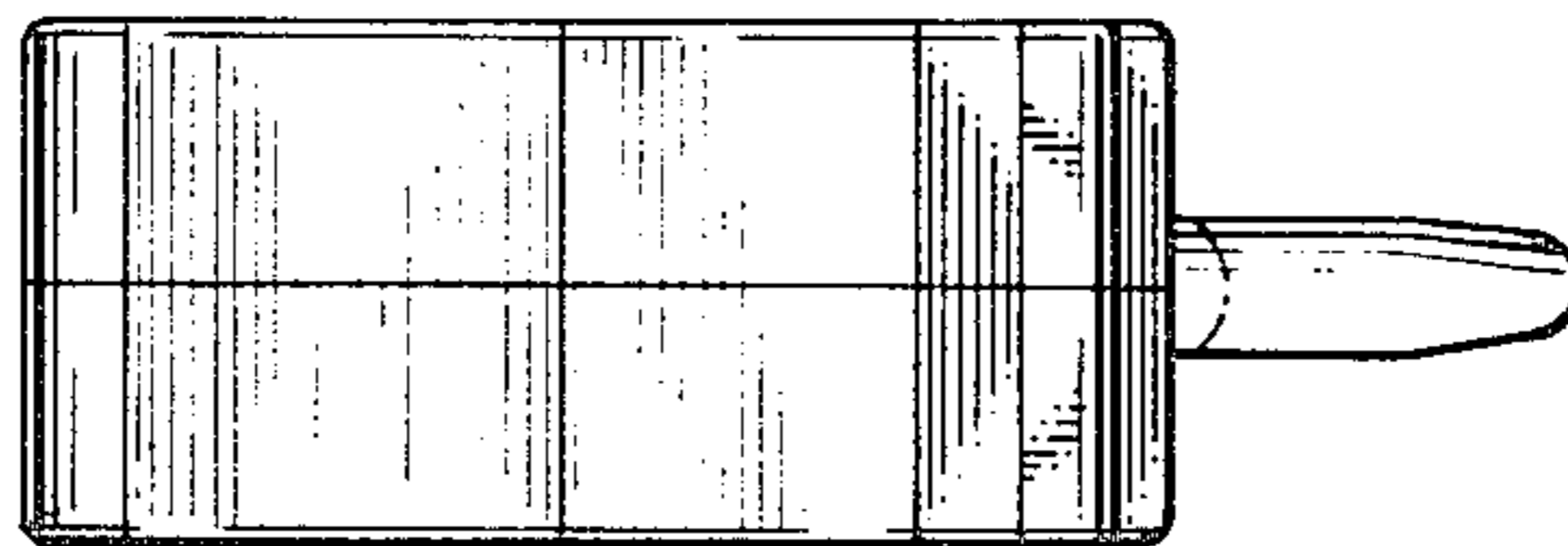


FIG. 6.

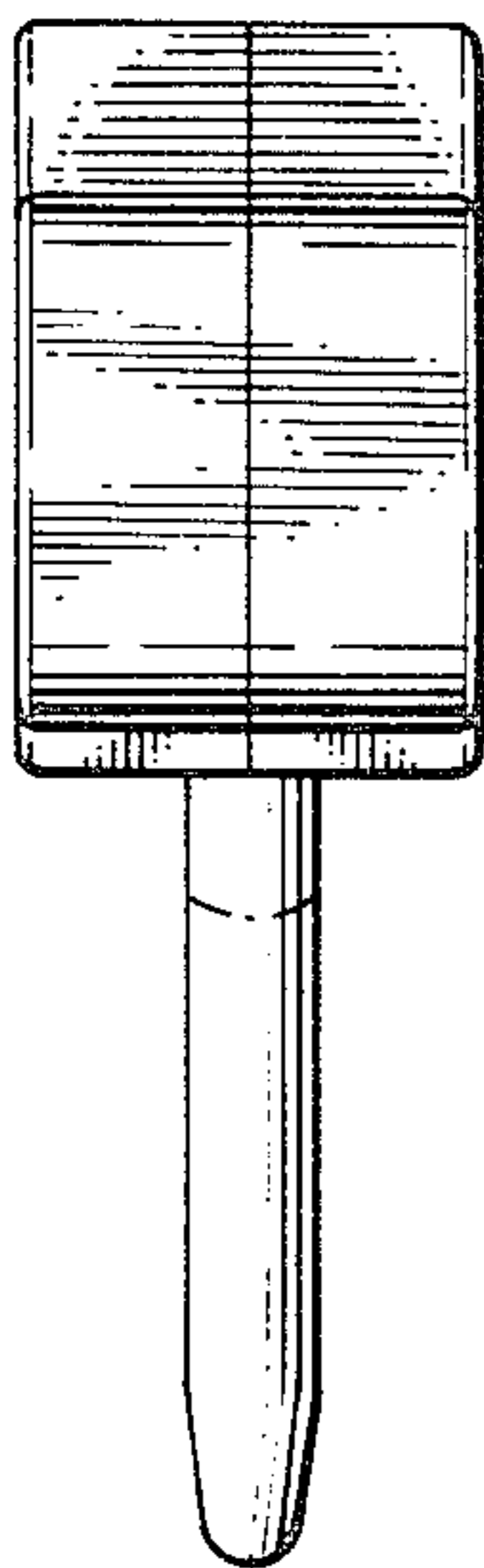


FIG. 3.

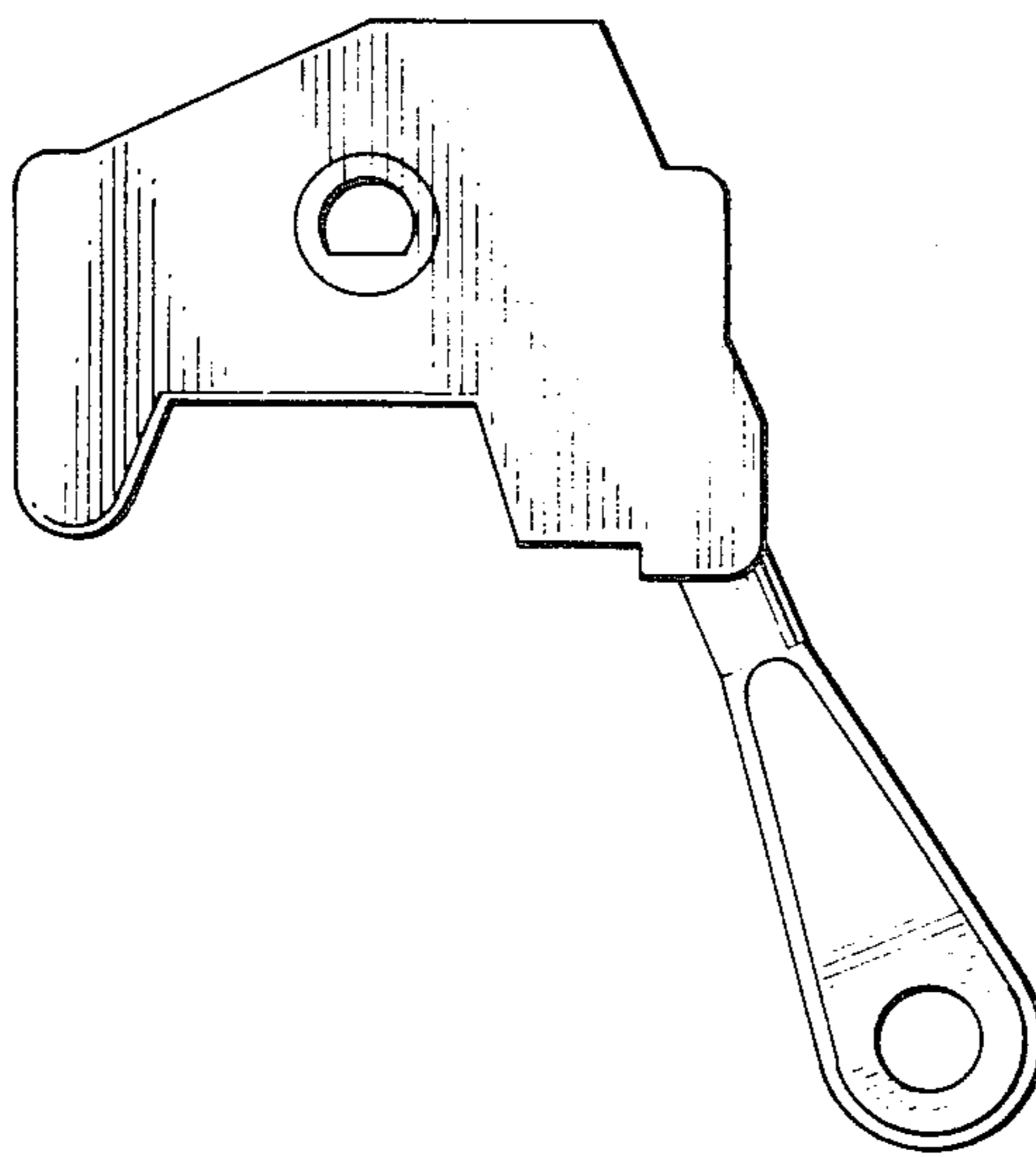


FIG. 7.

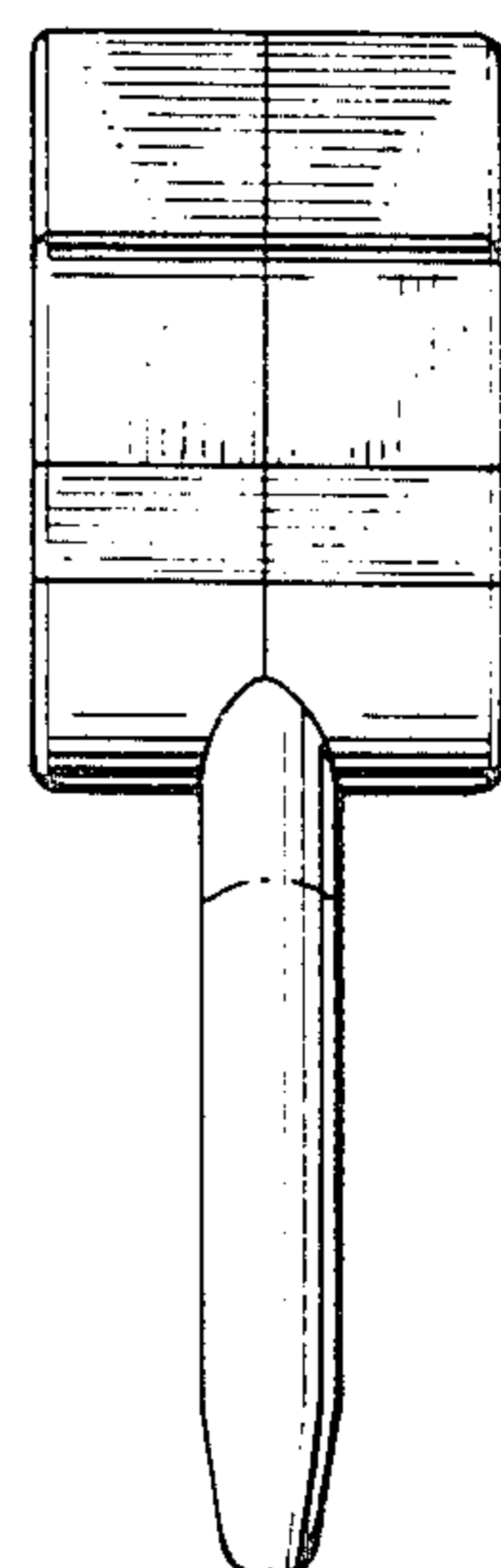


FIG. 5.

