

[54] MERCHANDISE DISPLAY STAND OR SIMILAR ARTICLE

3,591,930 7/1971 Little et al. D6/181 X
4,319,688 3/1982 Wahl 40/610 X

[75] Inventor: Robert P. Franklin, Lake Hopatcong, N.J.

[73] Assignee: Trans-World Manufacturing Corp., East Rutherford, N.J.

[*] Notice: The portion of the term of this patent subsequent to Dec. 25, 1998 has been disclaimed.

[**] Term: 14 Years

[21] Appl. No.: 323,234

[22] Filed: Nov. 20, 1981

[52] U.S. Cl. D6/480; D6/470

[58] Field of Search D6/181, 186, 85; 40/605, 610; 211/175, 199; 248/172

[56] References Cited

U.S. PATENT DOCUMENTS

- D. 176,289 12/1955 Schumacher D6/181
- D. 225,502 12/1972 Miller D6/181
- D. 240,379 7/1976 Sehinger D6/181
- 3,319,801 5/1967 Nordstrom 211/199

OTHER PUBLICATIONS

Lyon Steel Equipment Catalog ©1948, p. 30, Bench No. 2570.

Primary Examiner—Bruce W. Dunkins
Attorney, Agent, or Firm—Ostrolenk, Faber, Gerb & Soffen

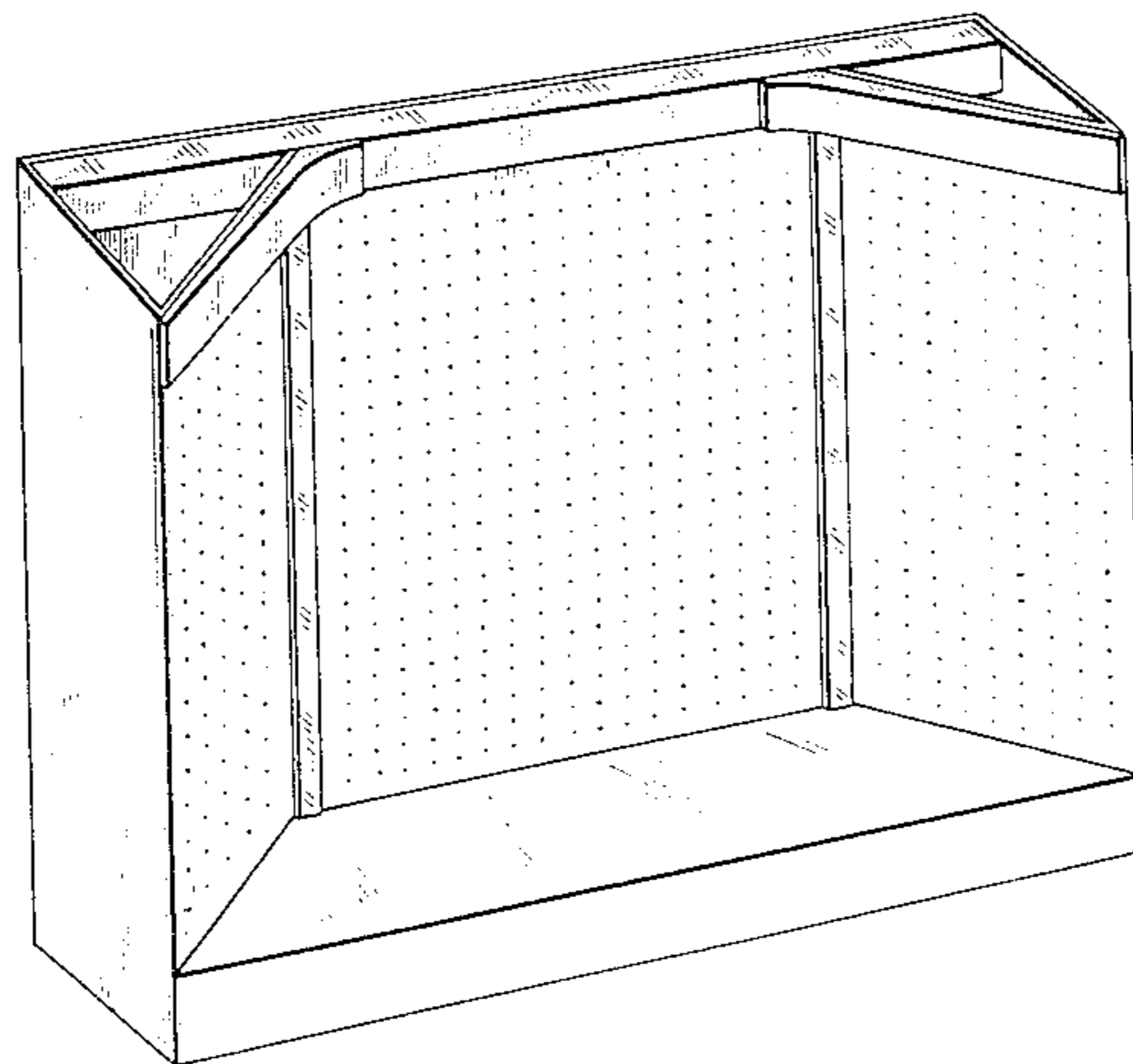
[57] CLAIM

The ornamental design for a merchandise display stand or similar article, as shown and described.

DESCRIPTION

FIG. 1 is a front perspective view of a merchandise display stand or similar article showing my new design; FIG. 2 is a rear perspective view thereof; and FIG. 3 is a top view thereof.

The invention being characterized in that the principal header extends the length of the display and the subsidiary headers extend outwardly at an angle from the principal header and are curved at their base to give the appearance of merging into the principal header as best shown in FIG. 3.



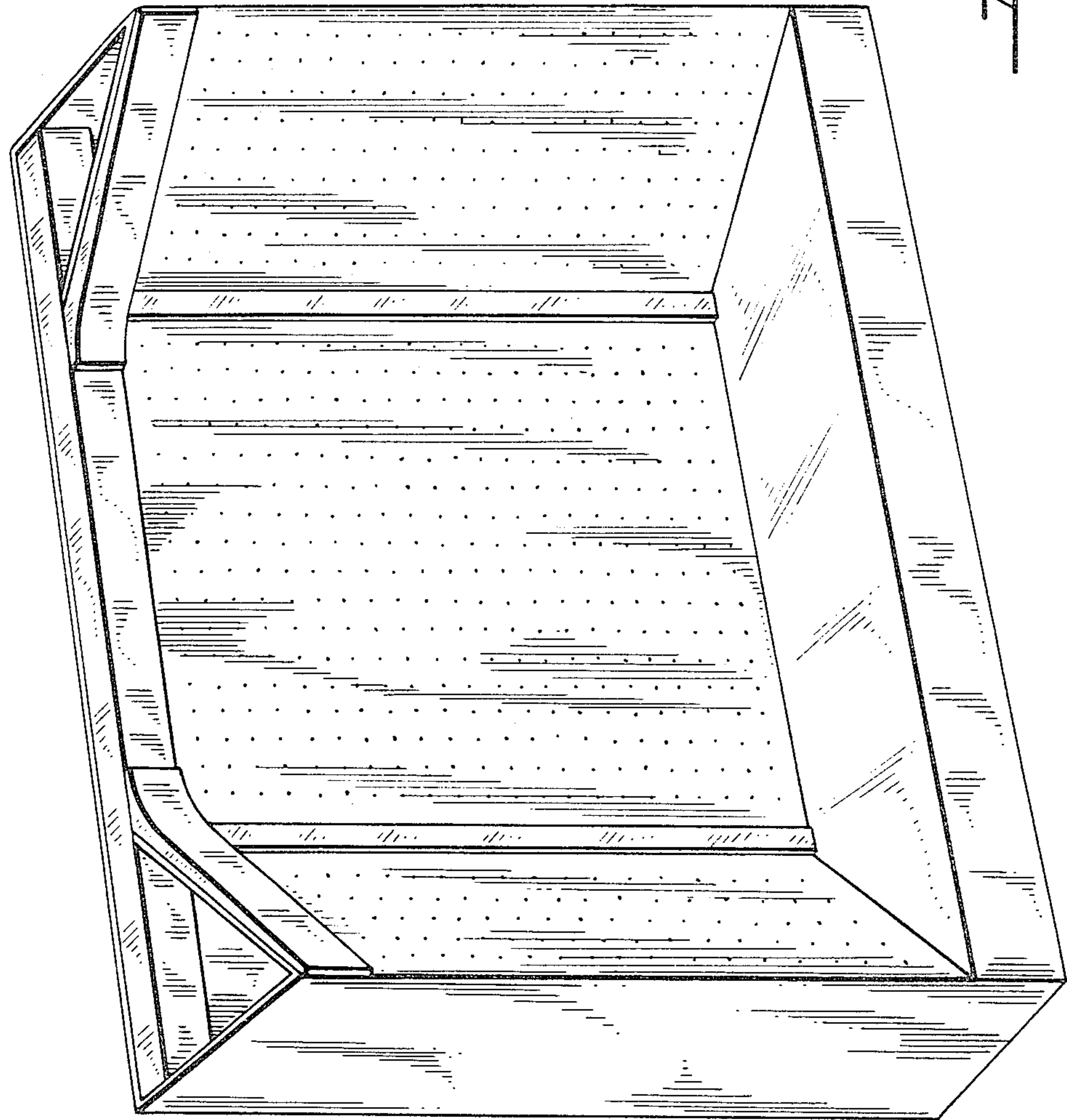


FIG. 1

