

[54] FOLDING TABLE

[75] Inventor: James H. Nicholson, Fair Oaks, Calif.

[73] Assignee: Telic Systems, Inc., Fair Oaks, Calif.

[**] Term: 14 Years

[21] Appl. No.: 462,584

[22] Filed: Jan. 31, 1983

[52] U.S. Cl. D6/420; D6/429

[58] Field of Search D6/27, 146-149, D6/175, 177-179

[56] References Cited

U.S. PATENT DOCUMENTS

D. 205,521	8/1966	Sanchez	D6/429
D. 218,954	10/1970	Transberger	D6/429 X
D. 221,672	8/1971	Kallich	D6/429 X
D. 234,413	3/1975	Hauner	D6/486 X
2,759,576	8/1956	Townsen	D6/429 X

Primary Examiner—Bruce W. Dunkins
Attorney, Agent, or Firm—Lothrop & West

[57] CLAIM

The ornamental design for a folding table, as shown and described.

DESCRIPTION

FIG. 1 is a right front perspective view of a folding

table, showing my new design, the table being in fully folded position but with the carrying handle in projected location ready to be gripped;

FIG. 2 is a view similar to FIG. 1 but with the table in fully unfolded position and the carrying handle in retracted location;

FIG. 3 is a front elevational view of the table in fully unfolded position, as in FIG. 2;

FIG. 4 is an elevational view of the right-hand end of the table in fully unfolded position, as in FIG. 2, the elevational view of the left-hand end being substantially a mirror image thereof;

FIG. 5 is a view similar to FIG. 4 but with the larger of the table surfaces inclined and the table surfaces elevated;

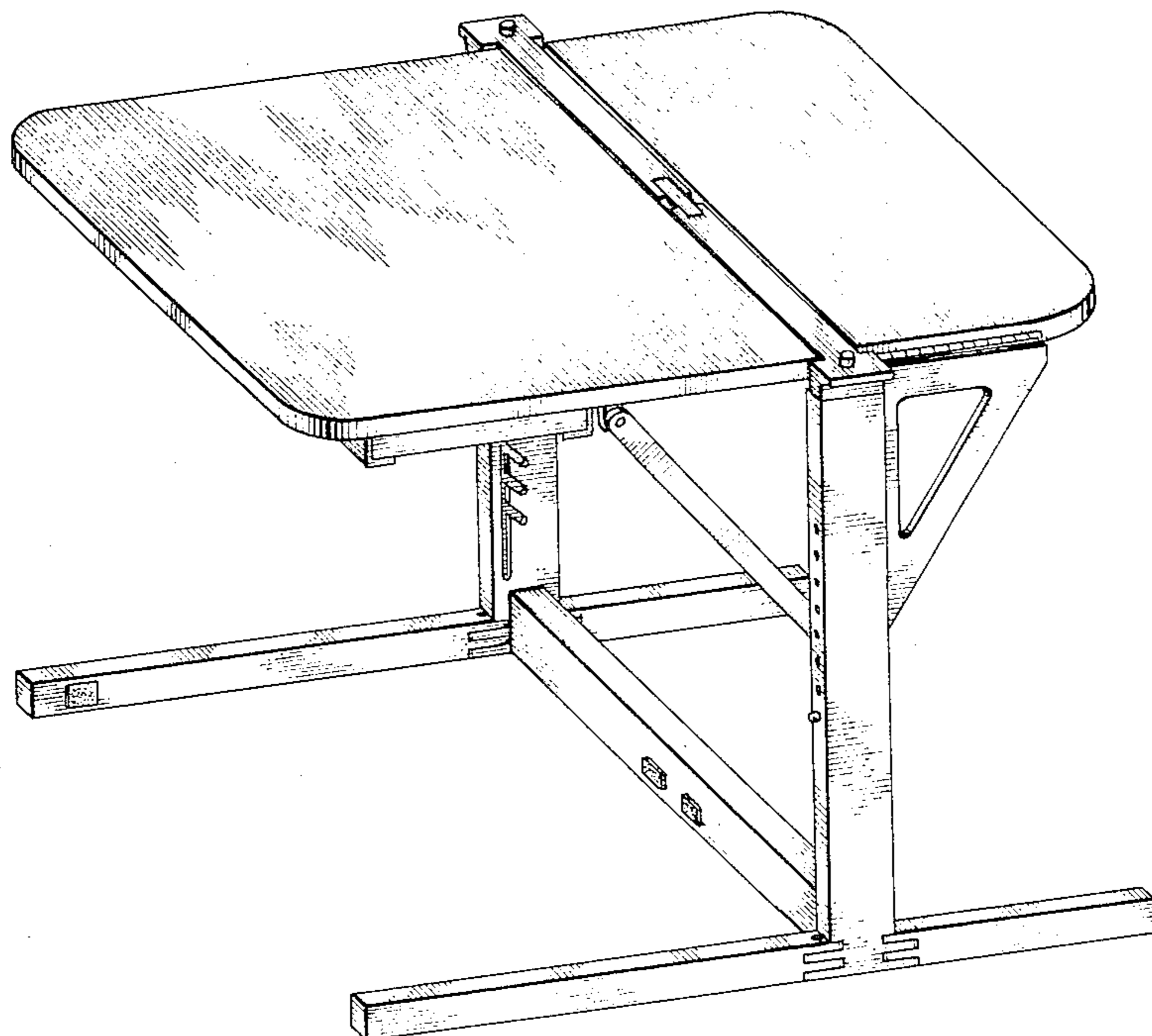
FIG. 6 is a top plan view of the table in fully unfolded position, as in FIG. 2;

FIG. 7 is a bottom plan view of the table in fully unfolded position, as in FIG. 2;

FIG. 8 is a rear elevational view of the table in fully unfolded position, as in FIG. 2; and,

FIG. 9 is a view similar to FIG. 5 but with the smaller of the table surfaces folded into vertical attitude enabling the table to be placed flush against a vertical wall.

The broken line showing of a wall and floor fragment in FIG. 9 is for illustrative purposes only.



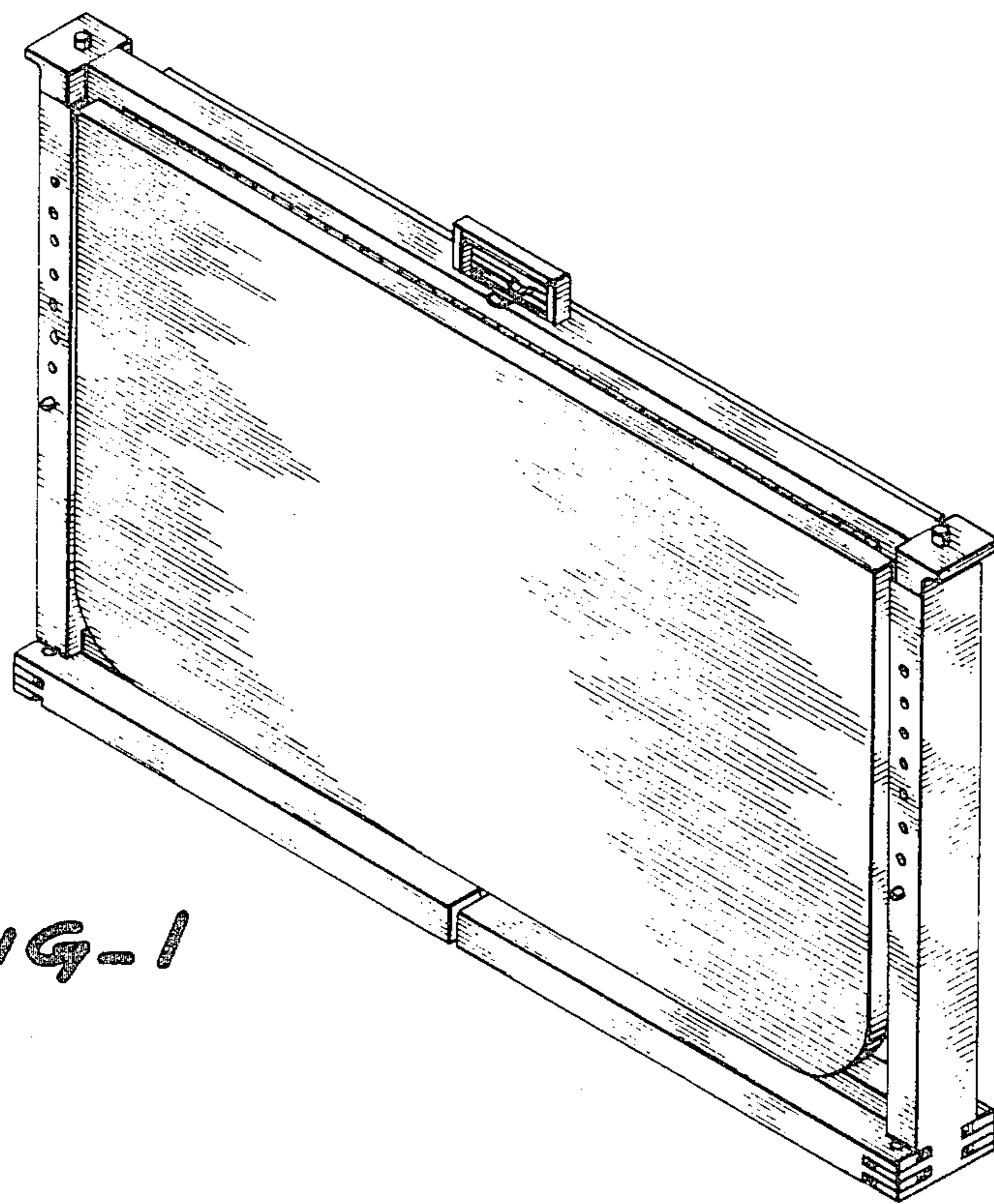


FIG-1

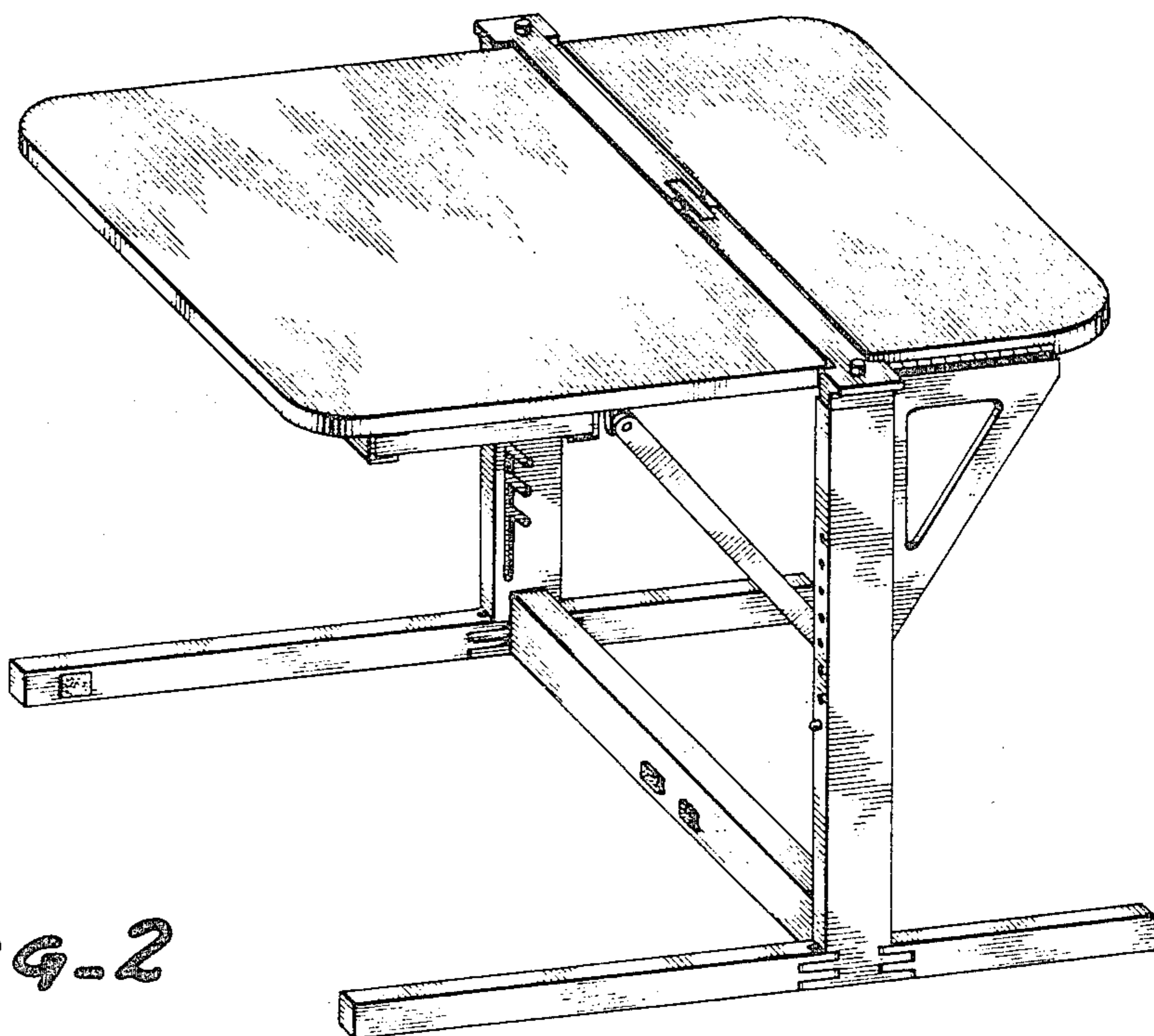


FIG-2

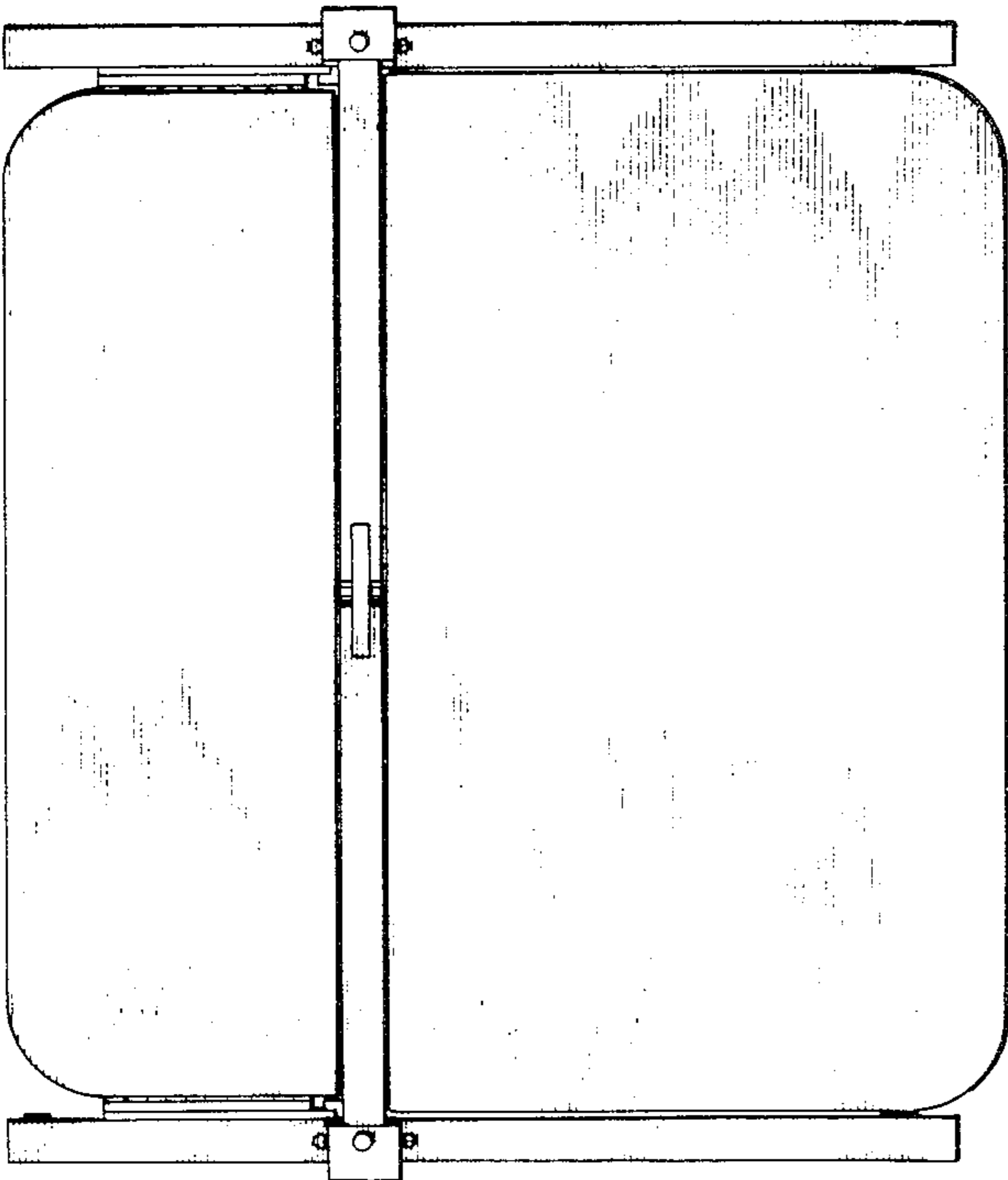


FIG-6

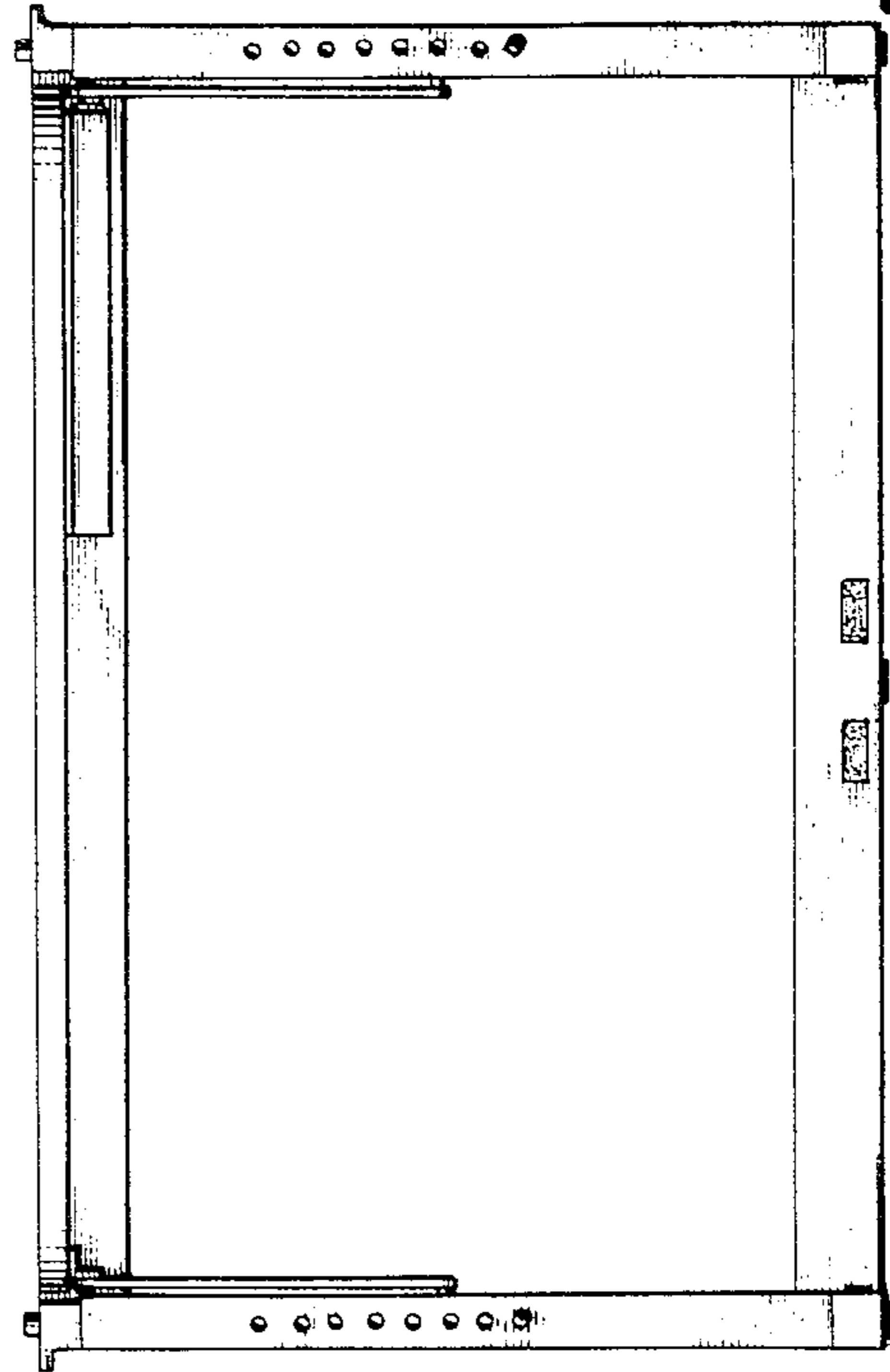


FIG-3

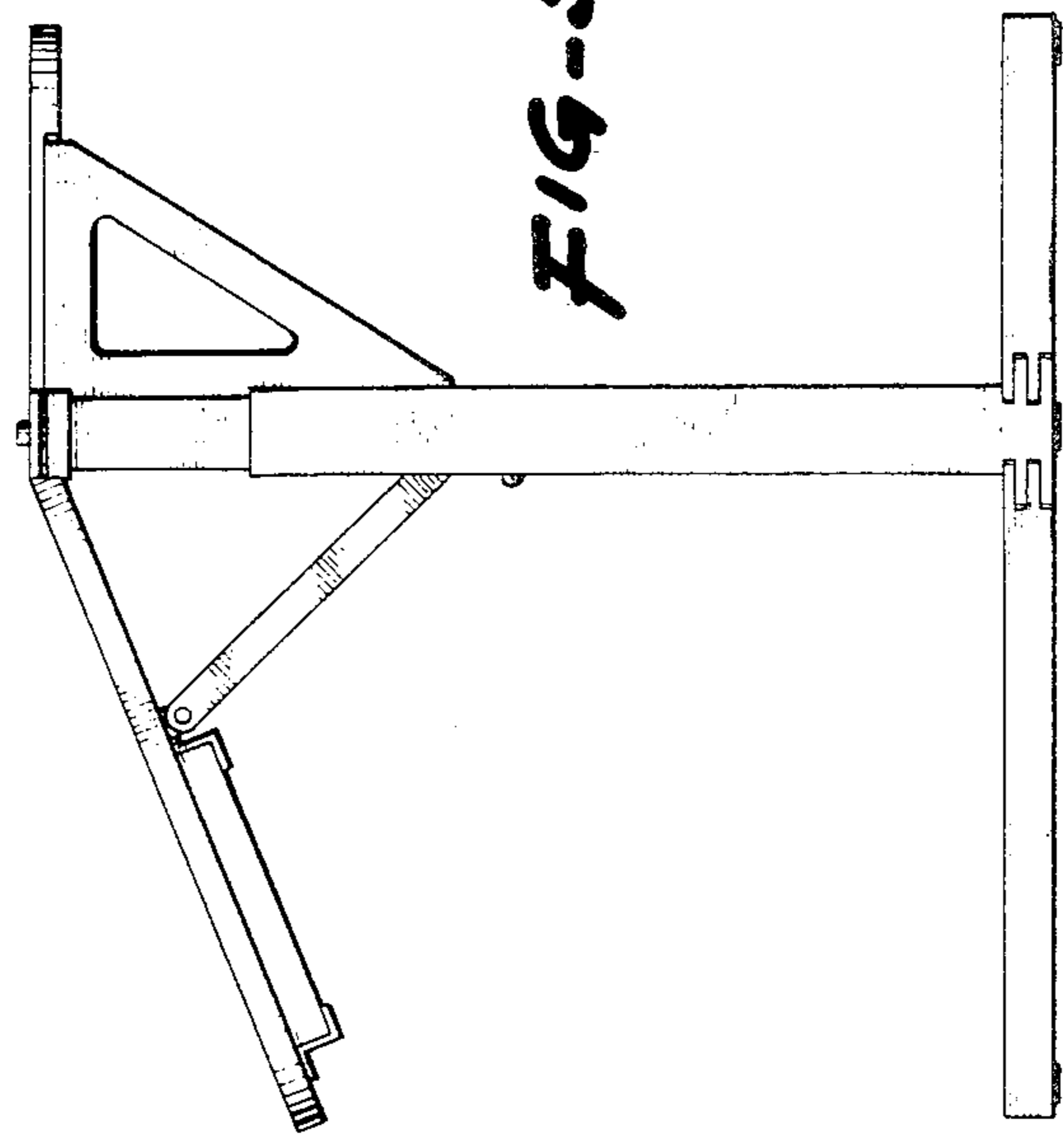


FIG-5

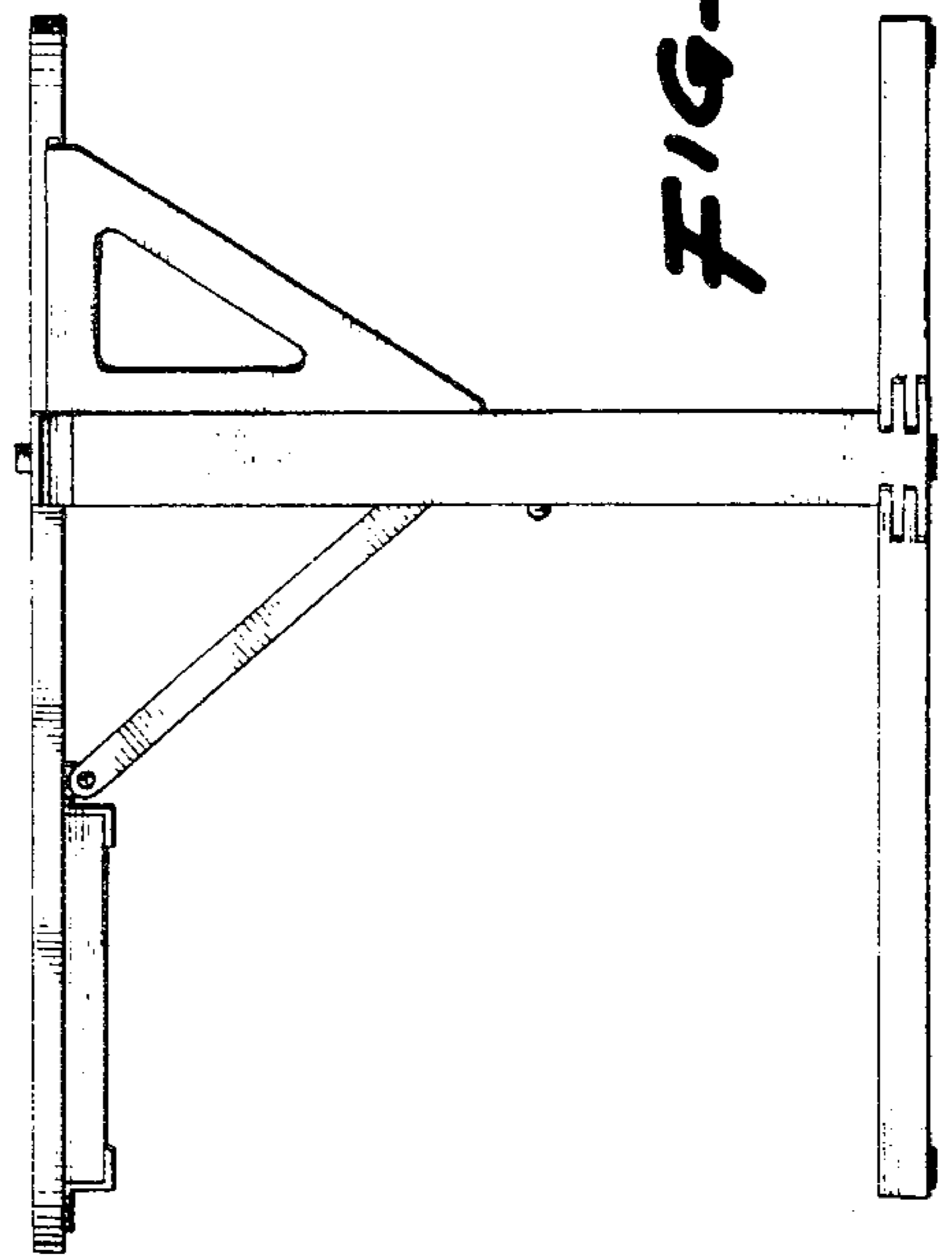


FIG-4

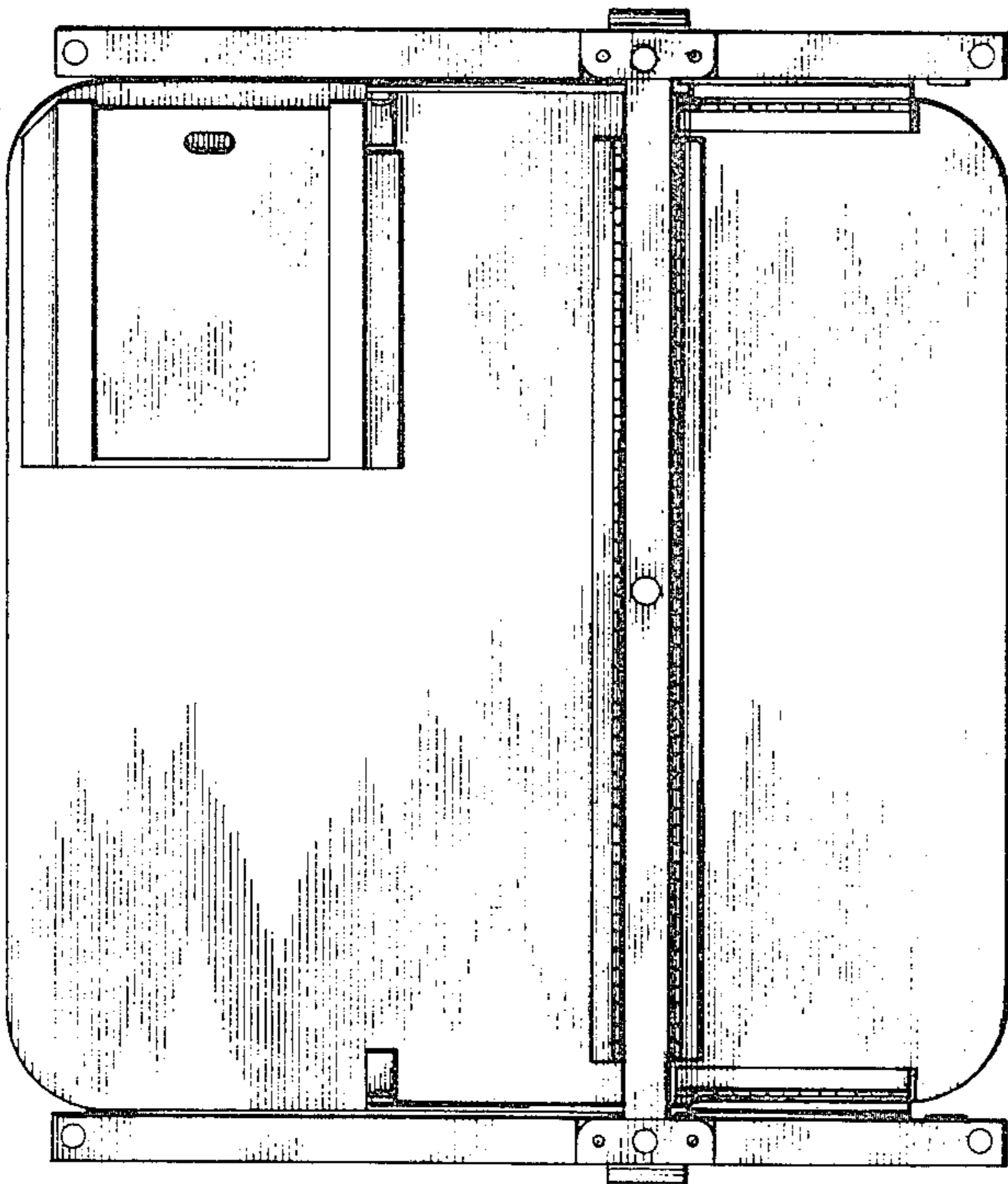


FIG. 7

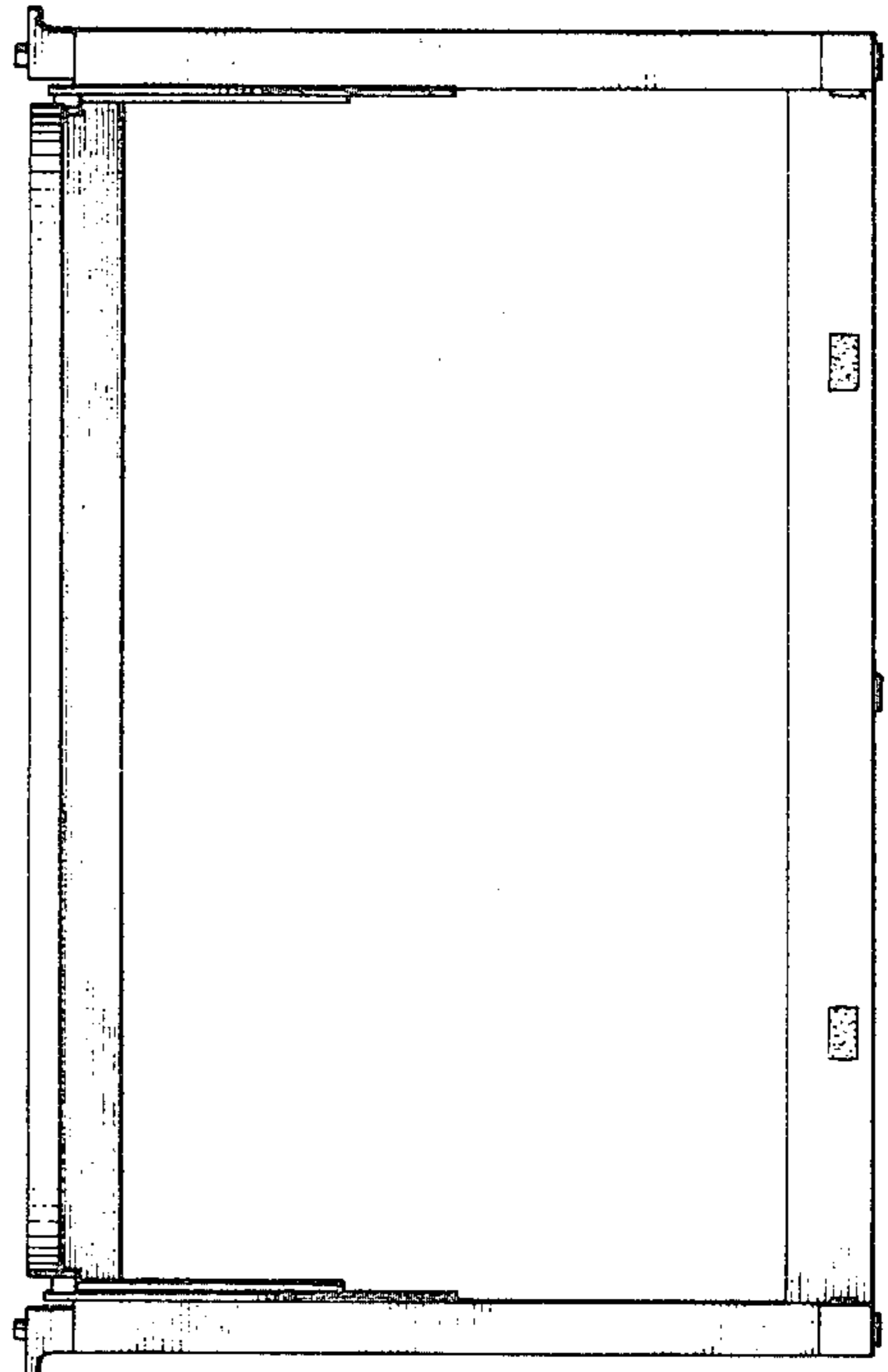


FIG. 8

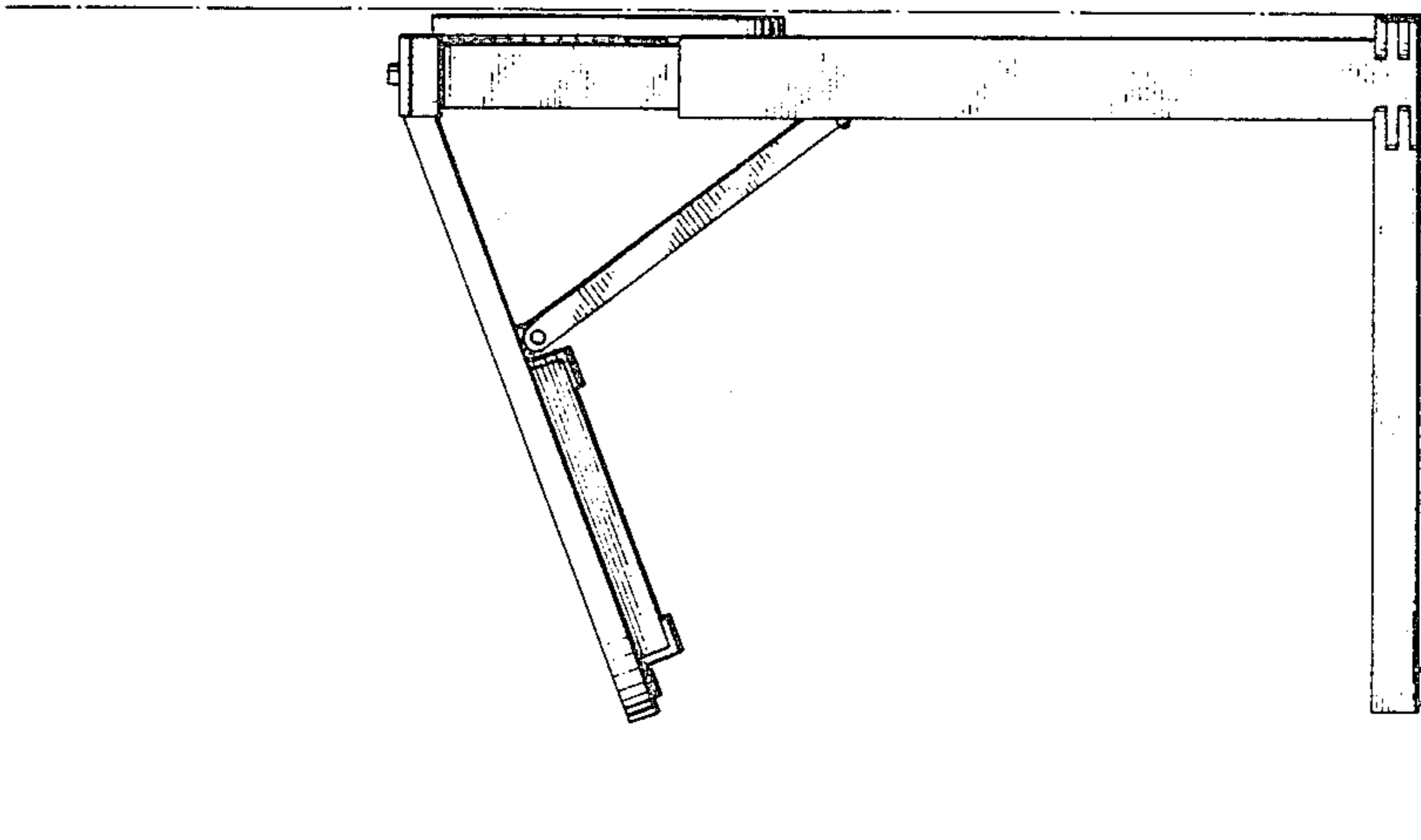


FIG. 9