

[54] **CONVERTIBLE BED**

[76] **Inventor:** James R. Hull, 148 S. Westgate Ave.,
Los Angeles, Calif. 90049

[**] **Term:** 14 Years

[21] **Appl. No.:** 367,162

[22] **Filed:** Apr. 12, 1982

[52] **U.S. Cl.** D6/393

[58] **Field of Search** D6/79-83,
D6/84, 198, 192; 5/2 R, 4, 96, 236 R, 280, 400

[56] **References Cited**

U.S. PATENT DOCUMENTS

2,223,955 12/1940 Greenbaum 5/2 R X

OTHER PUBLICATIONS

Sears Fall-Winter 1979 Cat., "Eastern 3967702 Ed. 2596", p. 1596, Item B, #1G6750N5H.

Sears Fall-Winter 1979 Cat., "Eastern 3967702 Ed. 2596", p. 1598, Item B, #1G6740N2H.

Primary Examiner—Jane E. Corrigan

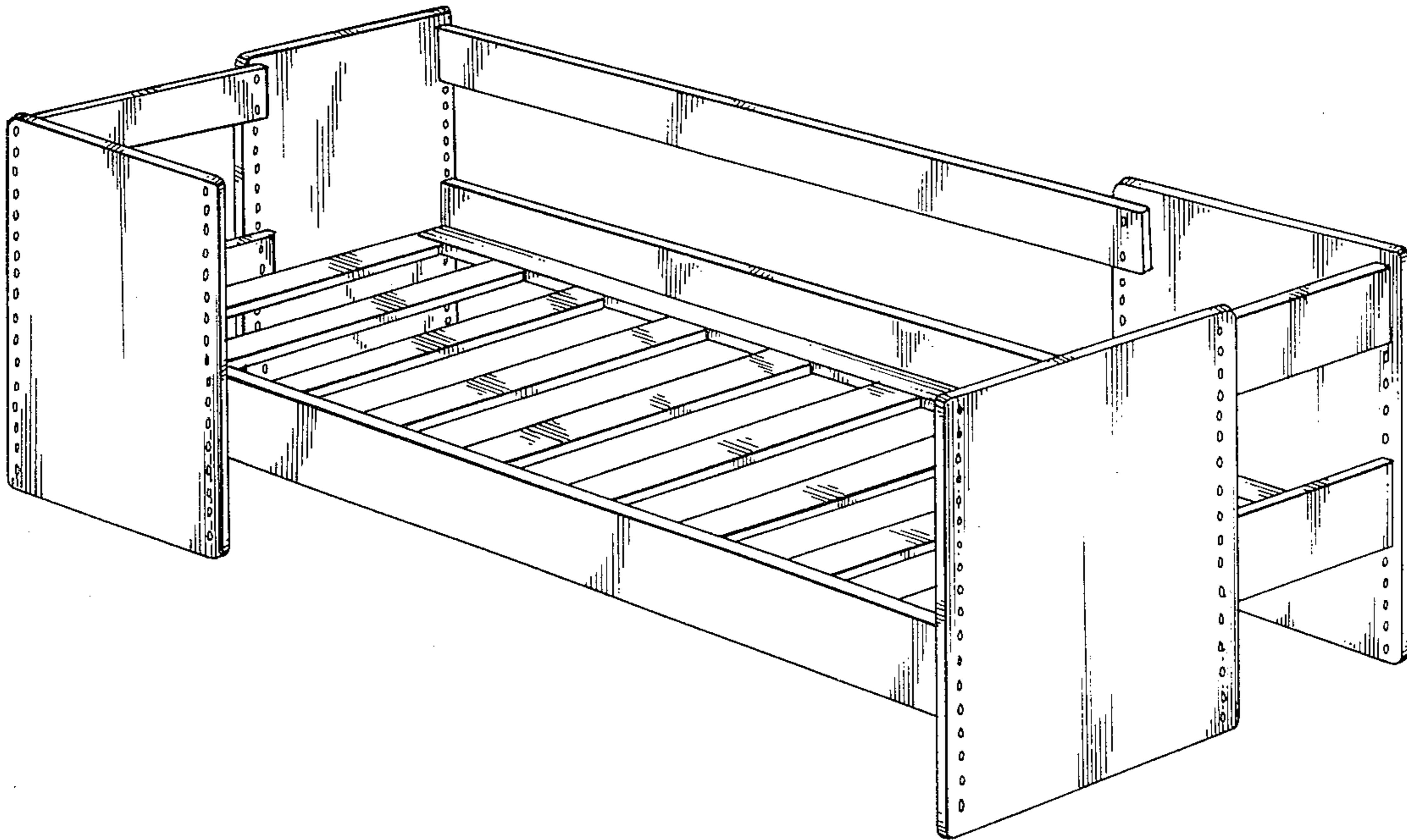
Attorney, Agent, or Firm—Keith D. Beecher

[57] **CLAIM**

The ornamental design for a convertible bed, substantially as shown.

DESCRIPTION

FIG. 1 is an end, top and side perspective view of a convertible bed showing my new design; and FIG. 2 is a perspective view thereof taken from the opposite side and end.



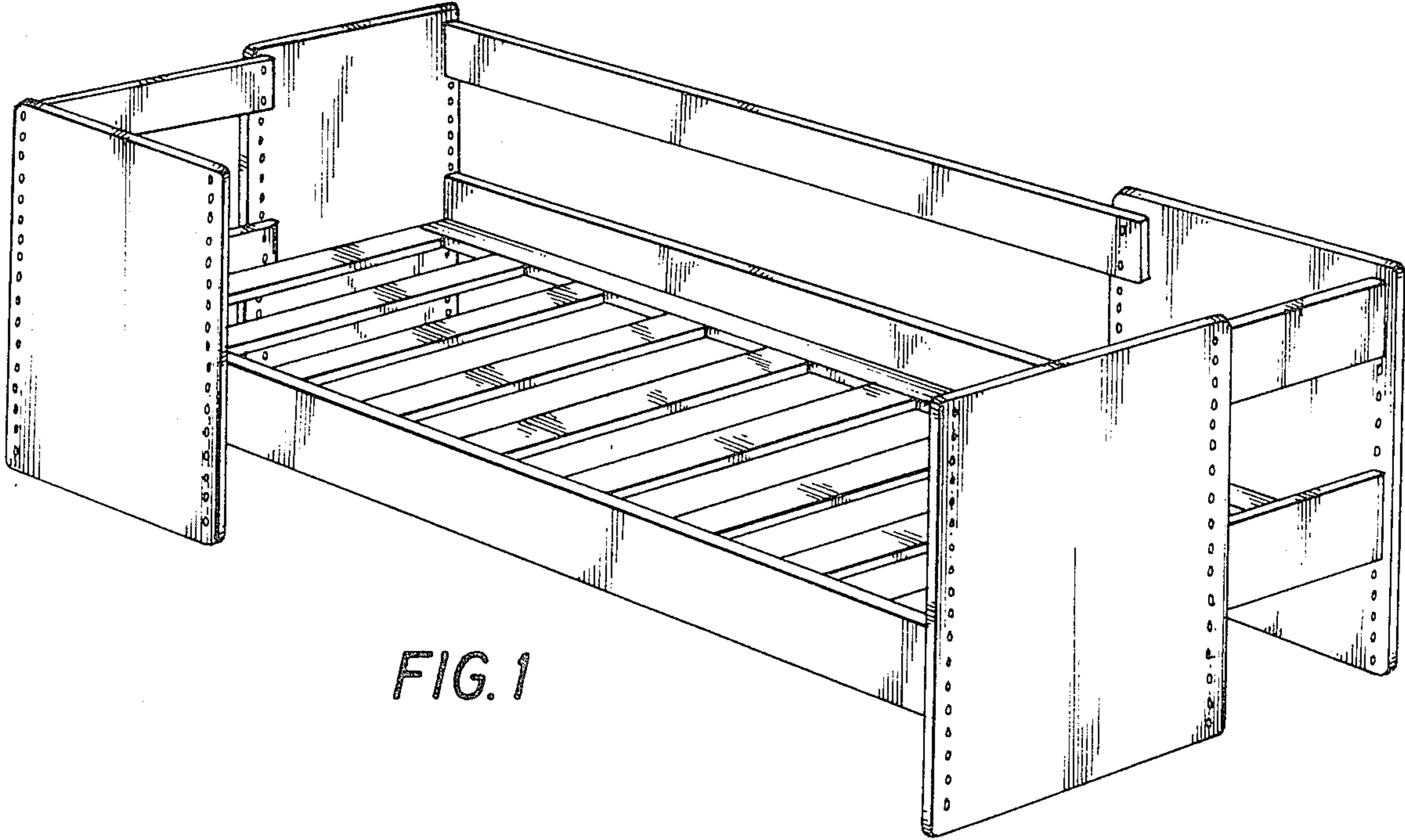


FIG. 1

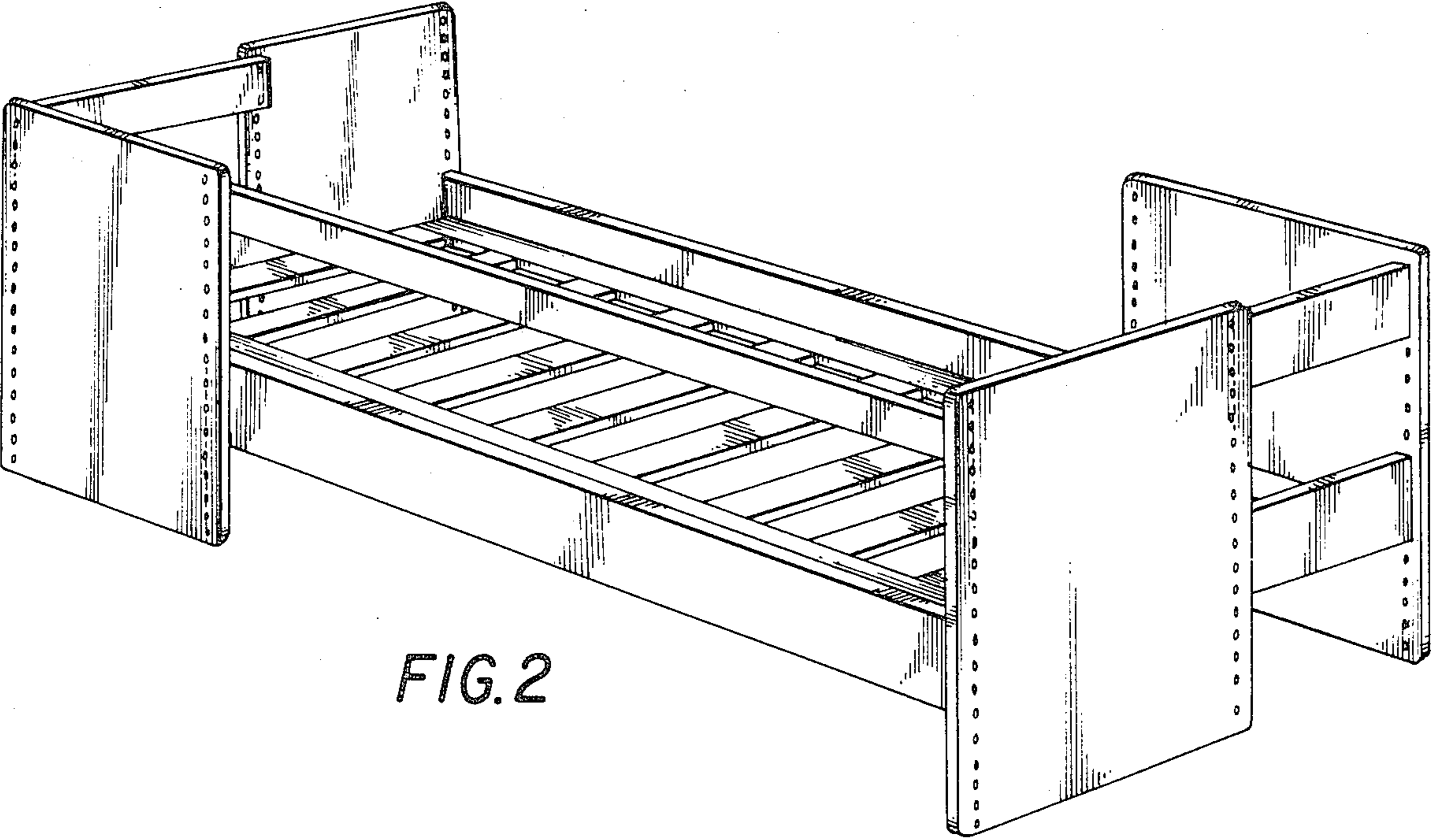


FIG. 2