

[54] COLLAPSIBLE SHIPPING CONTAINER

4,099,640 7/1978 Nessfield 220/6
4,320,845 3/1982 Waller 220/6

[75] Inventors: Howard B. Carter, Sharon; Larry Hughes, Lindsay, both of Canada

Primary Examiner—George P. Word
Attorney, Agent, or Firm—Larson and Taylor

[73] Assignee: Bonar Rosedale Plastics Ltd., Markham, Canada

[**] Term: 14 Years

[57] CLAIM

[21] Appl. No.: 362,607

The ornamental design for a collapsible shipping container, substantially as shown and described.

[22] Filed: Mar. 29, 1982

[30] Foreign Application Priority Data

DESCRIPTION

Feb. 12, 1982 [CA] Canada 05-10-81-9

[52] U.S. Cl. D34/40

[58] Field of Search D3/30.1; 108/56.1; 220/1.5, 6, 7, 4 F; 206/511

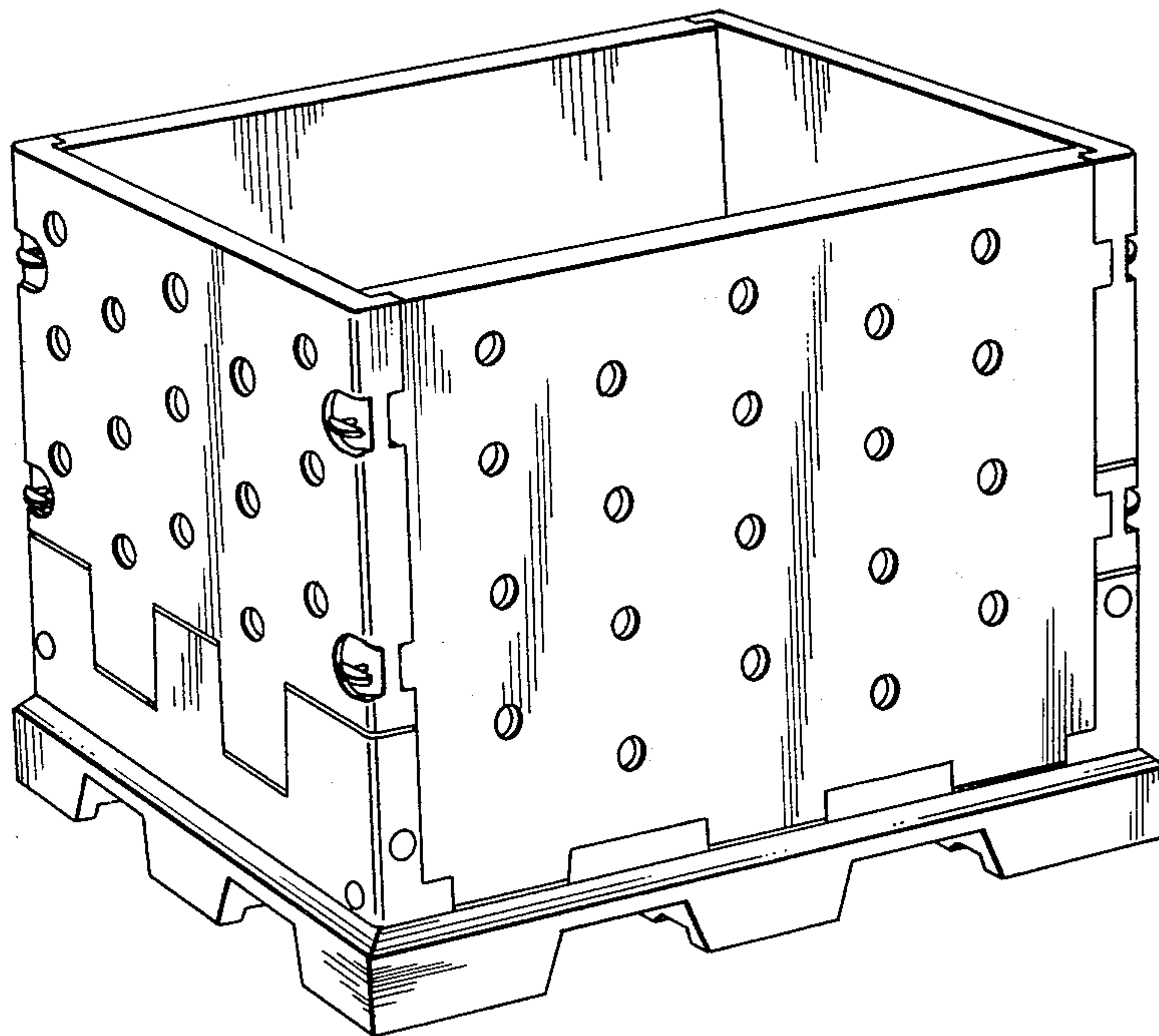
FIG. 1 is a perspective view of a collapsible shipping container showing our new design in its erect condition. FIG. 2 is a perspective view showing the bottom surface; and FIG. 3 is a perspective view showing the container in its collapsed condition.

[56] References Cited

U.S. PATENT DOCUMENTS

D. 246,350 11/1977 Powell D3/40
2,803,084 8/1957 Frerking 220/6
4,044,910 8/1977 Box 220/6

The exterior surface opposite that shown on the right in FIG. 1 is identical except that the hinge is raised to effect the collapsing of the opposite sides one over the other as shown in FIG. 3 and the opposite interior surfaces are identical.



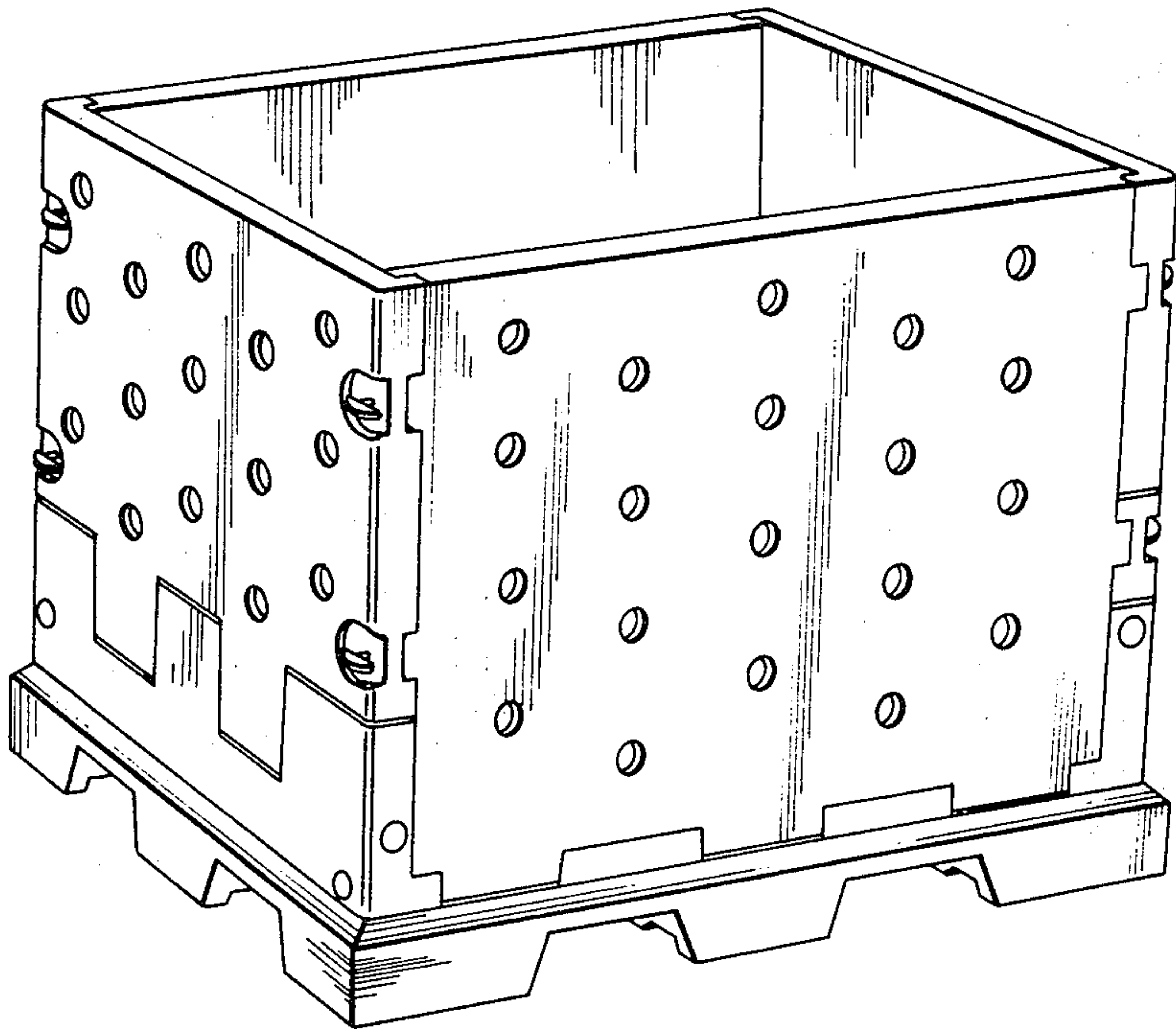


FIG. 1

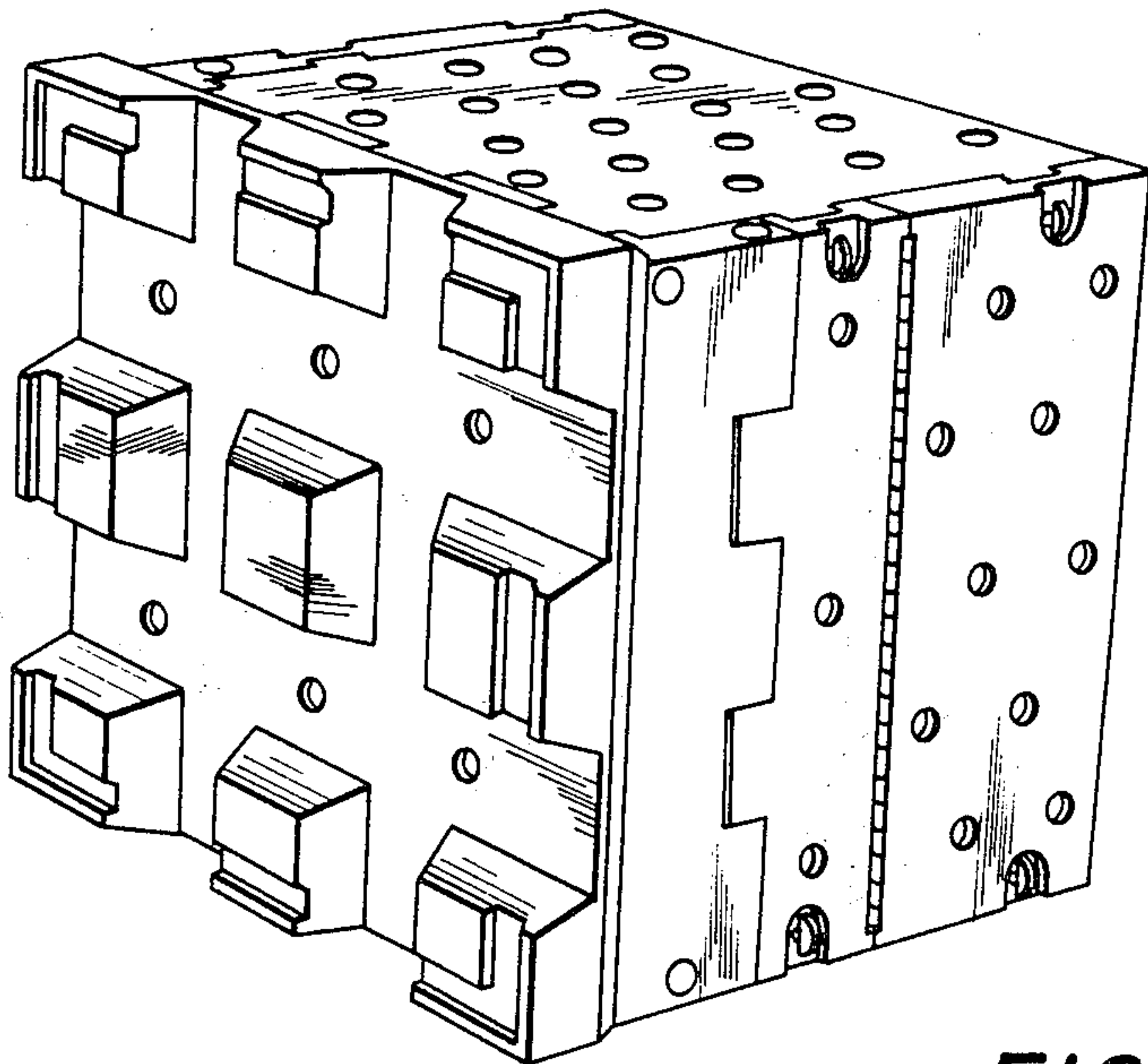


FIG. 2

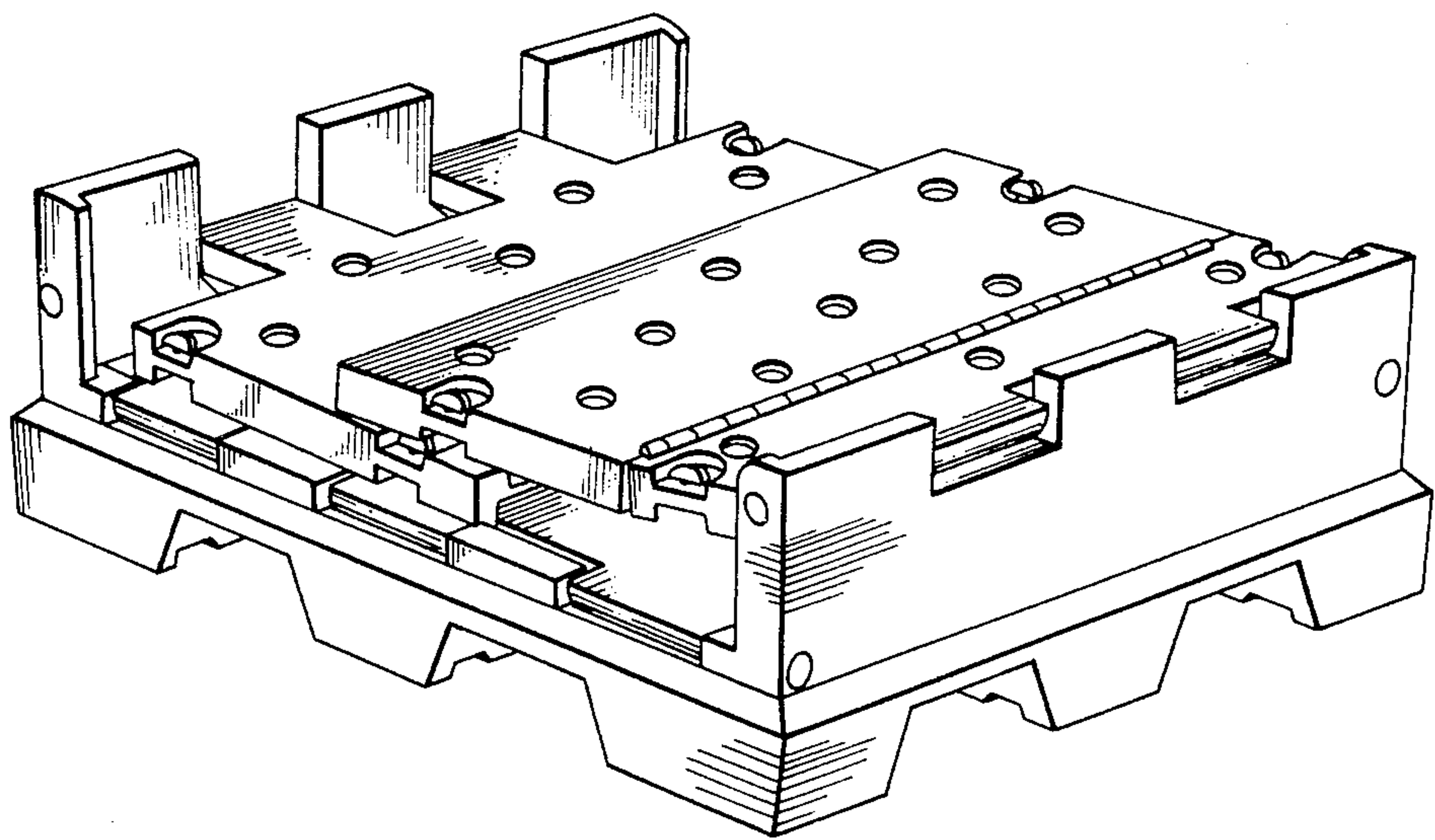


FIG. 3