

[54] MOP CARRIER OR SIMILAR ARTICLE

[75] Inventors: Ichiro Miyoshi, Kobe; Masanobu Nishiyama, Osaka; Hisaji Tanaka, Osaka; Fusao Kanazawa, Osaka, all of Japan

[73] Assignee: Duskin Franchise Kabushiki Kaisha, Osaka, Japan

[**] Term: 14 Years

[21] Appl. No.: 244,609

[22] Filed: Mar. 17, 1981

[52] U.S. Cl. D32/50

[58] Field of Search 15/147 R, 147 A; D4/1-39; D32/50, 51

3,029,454 4/1962 Short et al. 15/147 R

3,360,286 12/1967 Smyth 15/147 A X

3,447,182 6/1969 Shinagawa 15/147 A

3,458,886 8/1969 Goettel 15/147 R

Primary Examiner—Catherine E. Kemper
 Attorney, Agent, or Firm—Cushman, Darby & Cushman

[57] CLAIM

The ornamental design for a mop carrier or similar article, as shown and described.

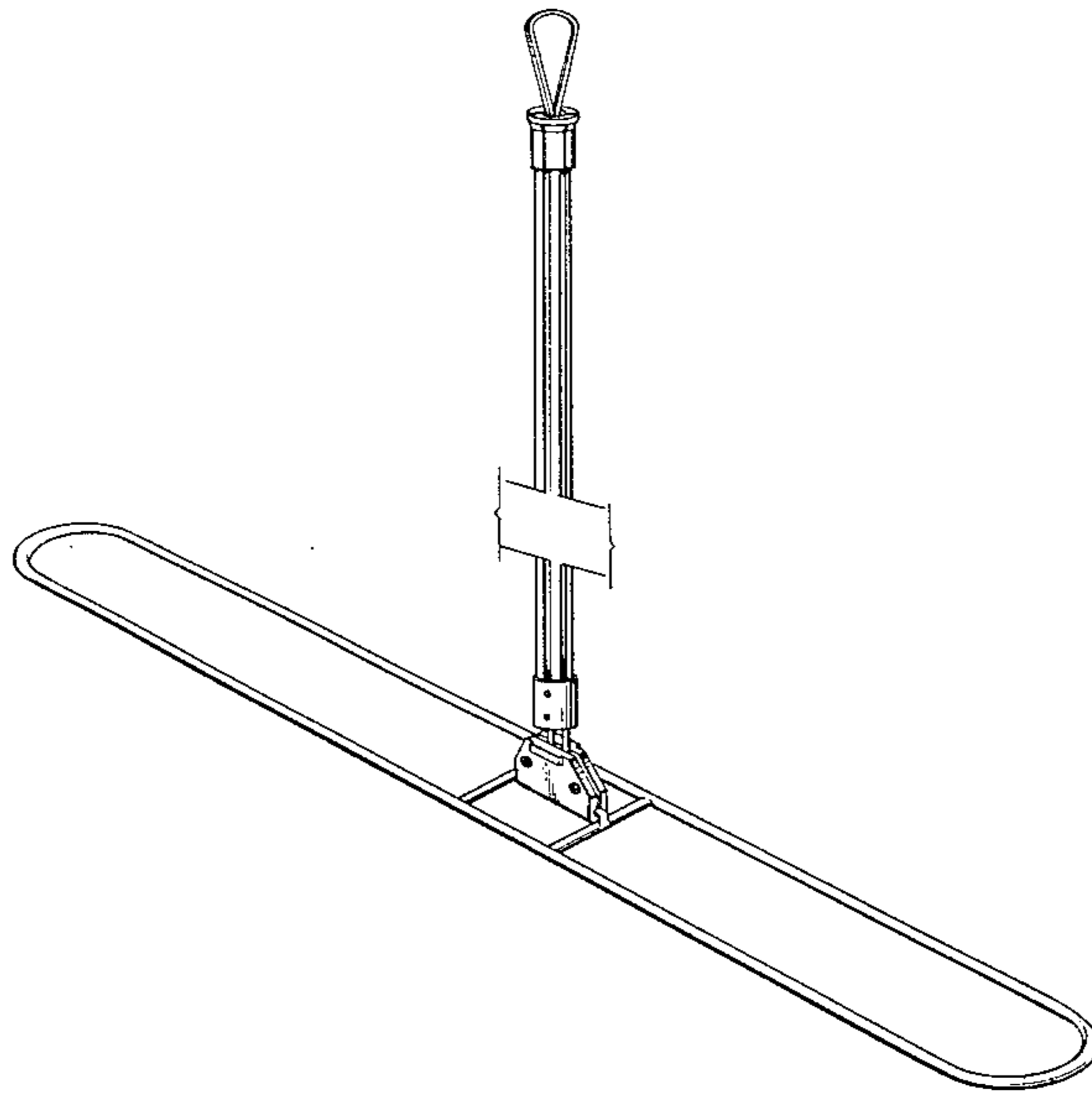
DESCRIPTION

FIG. 1 is a front elevational view of a mop carrier or similar article showing our new design;
 FIG. 2 is a perspective view thereof;
 FIG. 3 is a bottom plan view thereof; and
 FIG. 4 is a top plan view thereof on an enlarged scale.
 The right side and rear thereof are mirror images, respectively, of the left side and front thereof.
 The handle has been shown fragmentarily in FIGS. 1 and 2 for ease of illustration.

[56] References Cited

U.S. PATENT DOCUMENTS

2,194,214 3/1940 Arioli 15/147 A



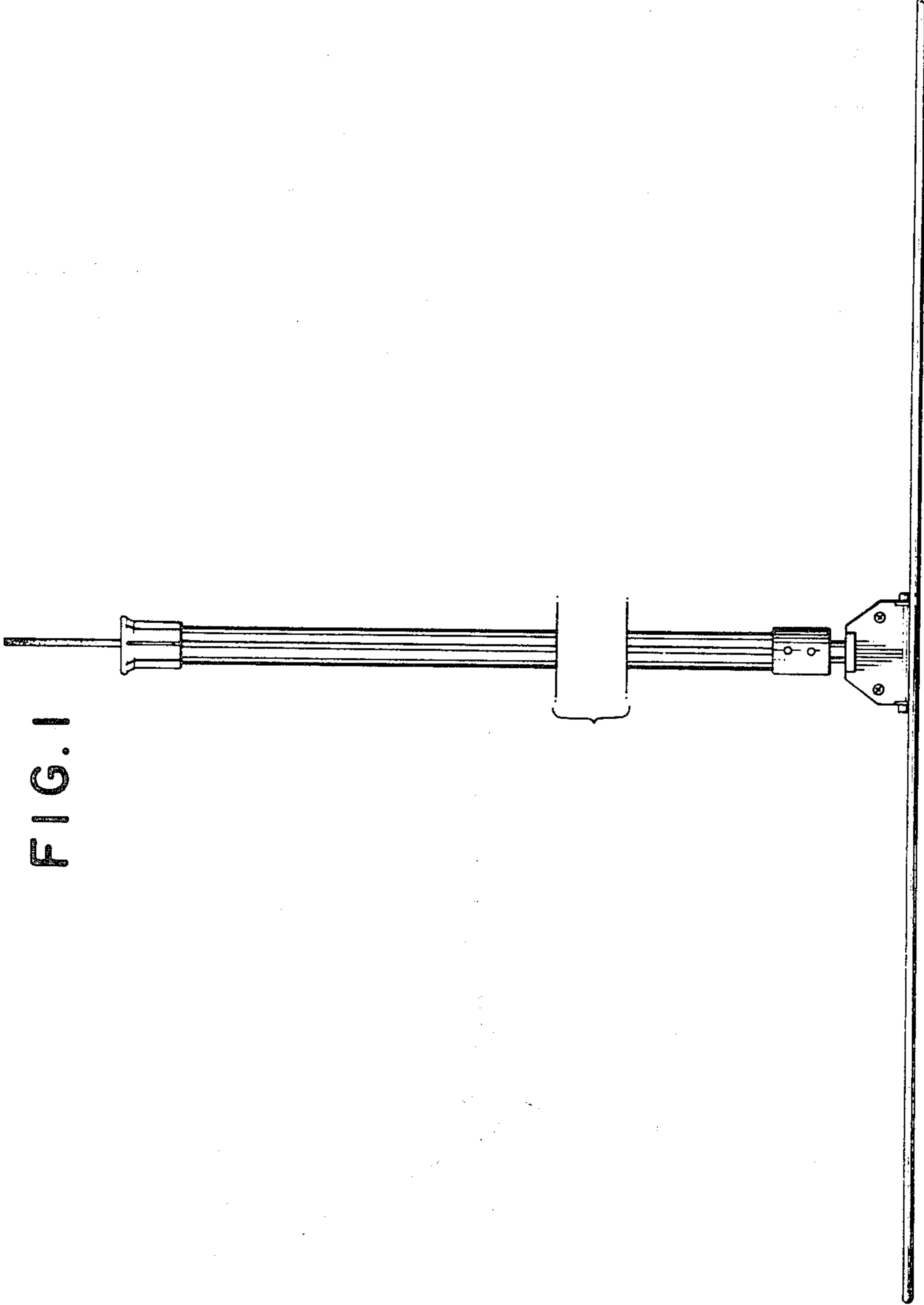


FIG. 1

FIG. 2

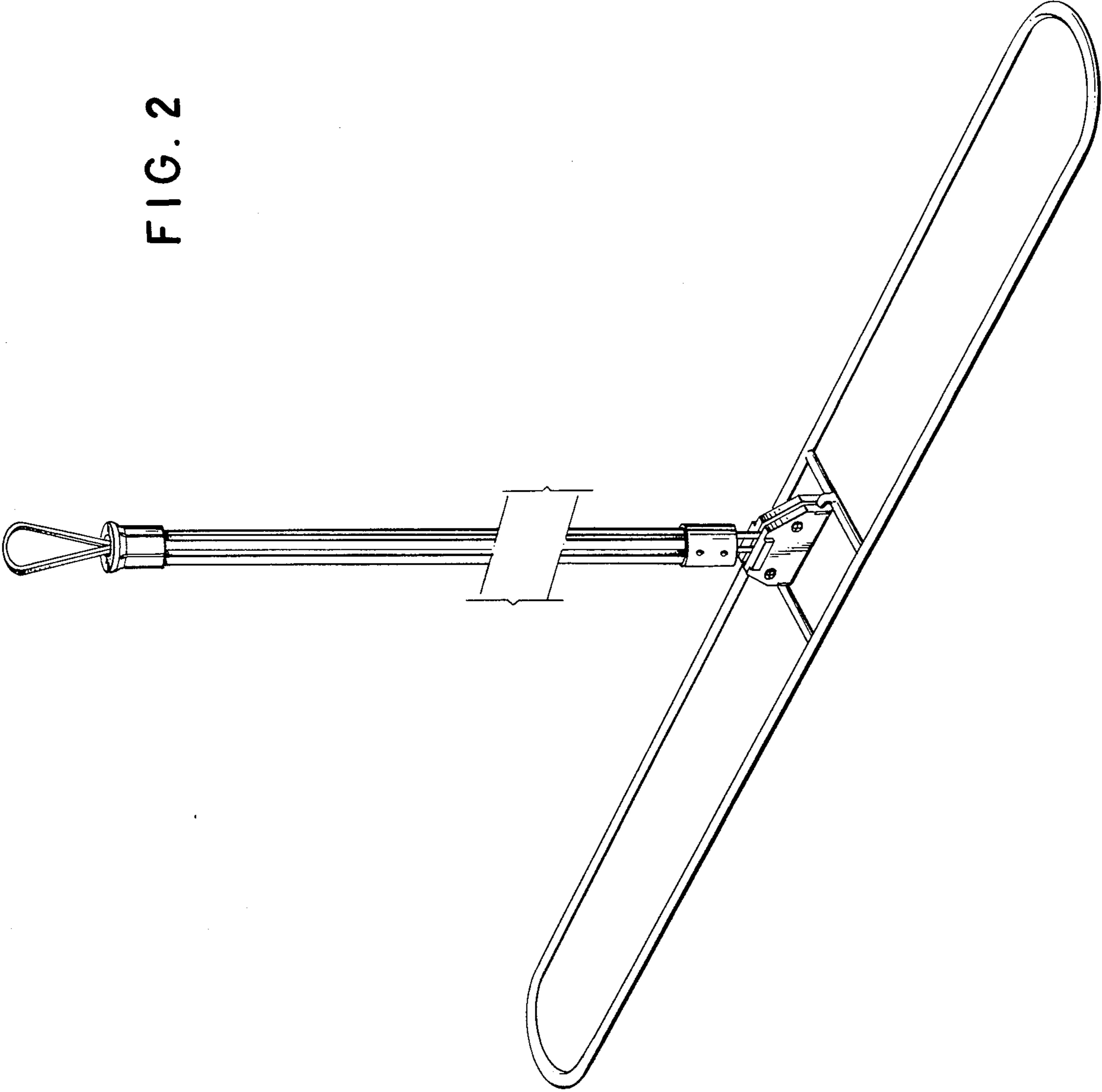


FIG. 3

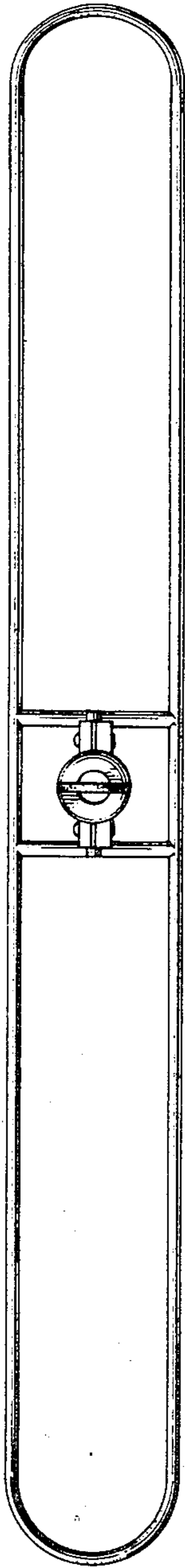


FIG. 4

