

[54] CAP FOR A ROOF VENT

[76] Inventors: Arthur L. Waltz, 2000 E. Columbia Way, Bldg. 42, Vancouver, Wash. 98661; Elwin E. Peirce, 3890 Monroe Ave. NE., Salem, Oreg. 97301

[\*\*] Term: 14 Years

[21] Appl. No.: 424,569

[22] Filed: Sep. 27, 1982

[52] U.S. Cl. .... D23/153

[58] Field of Search ..... D23/149, 151-154, D23/163-167; 98/42 R, 42 A

[56] References Cited

U.S. PATENT DOCUMENTS

- D. 155,345 9/1949 Johnson ..... D23/153
- D. 216,795 3/1970 Field ..... D23/153
- D. 240,827 8/1976 Hill et al. .... D23/153

2,826,136	3/1958	Smith .....	98/42
2,878,743	3/1959	Trunnell .....	98/42
3,093,059	6/1963	Metz .....	98/42
3,094,915	6/1963	Leigh .....	98/42
4,193,339	3/1980	Giles .....	98/42 R X
4,297,818	11/1981	Anderson .....	98/42 A X

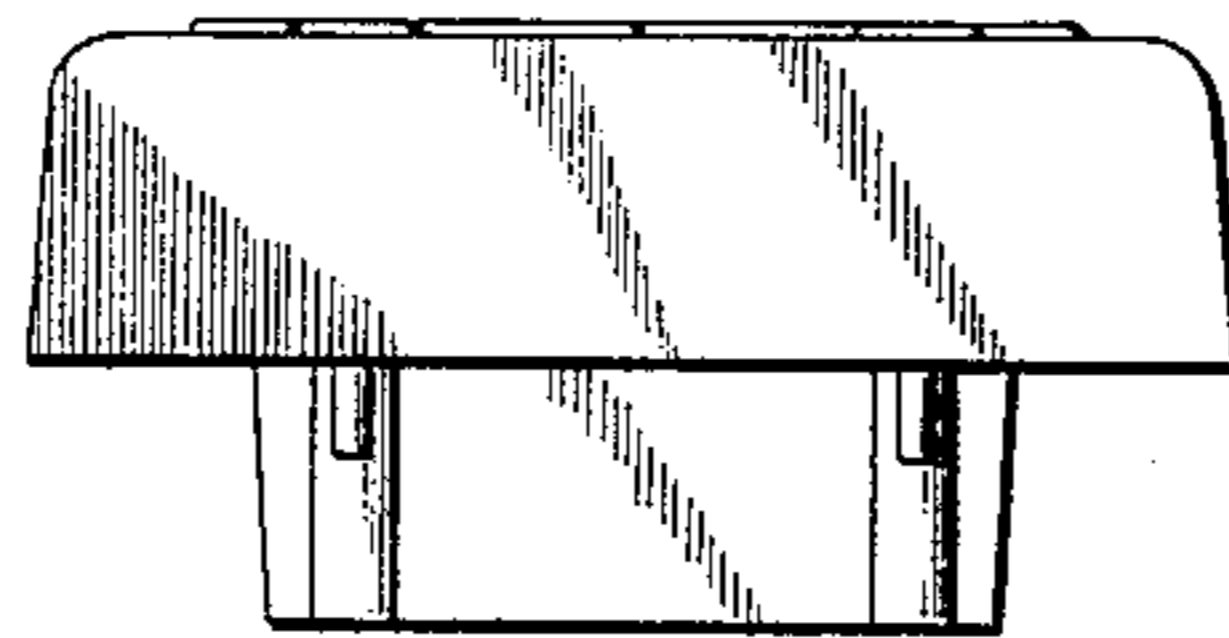
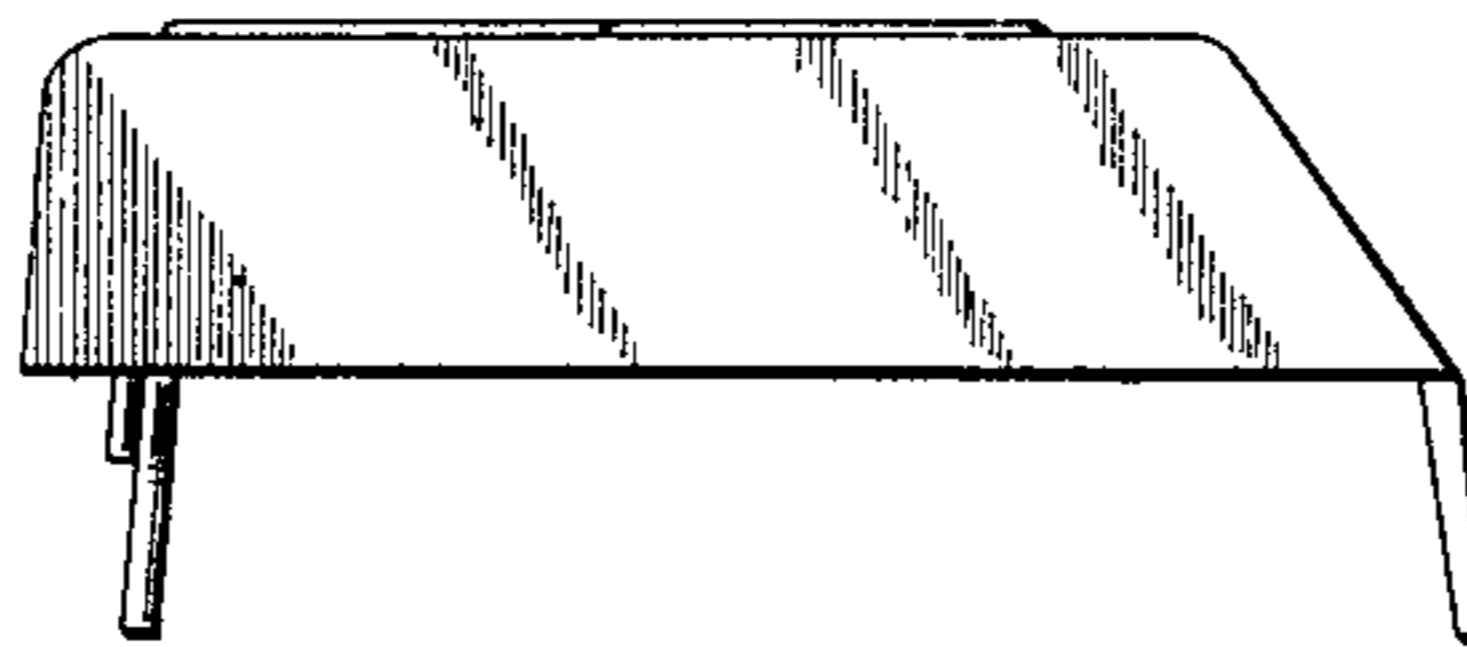
Primary Examiner—James R. Largen  
Attorney, Agent, or Firm—Thomas W. Secrest

[57] CLAIM

The ornamental design for a cap for a roof vent, as shown and described.

DESCRIPTION

FIG. 1 is a right side elevational view of a cap for a roof vent showing our new design, the left side being a mirror image of the right side shown;  
FIG. 2 is a front elevational view thereof;  
FIG. 3 is a rear elevational view thereof;  
FIG. 4 is a top plan view thereof; and,  
FIG. 5 is a bottom plan view thereof.



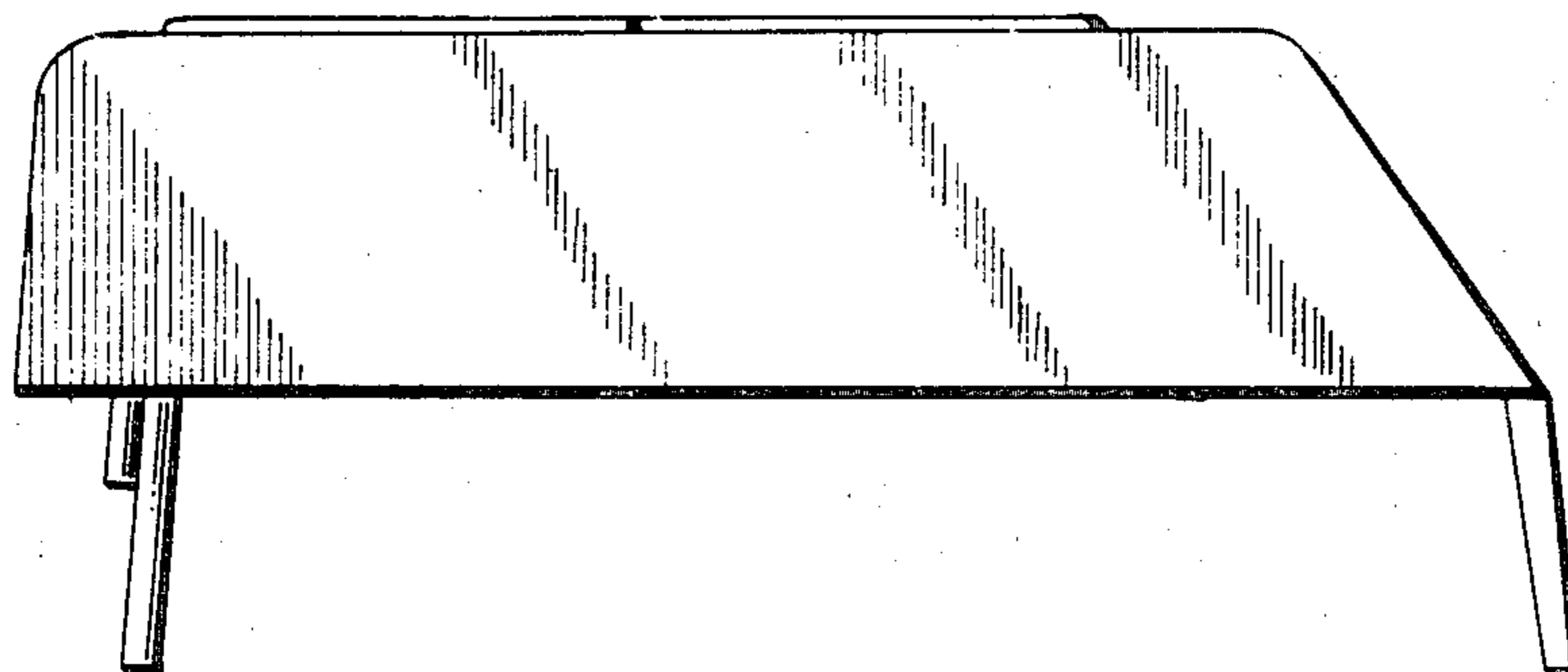


FIG. 1

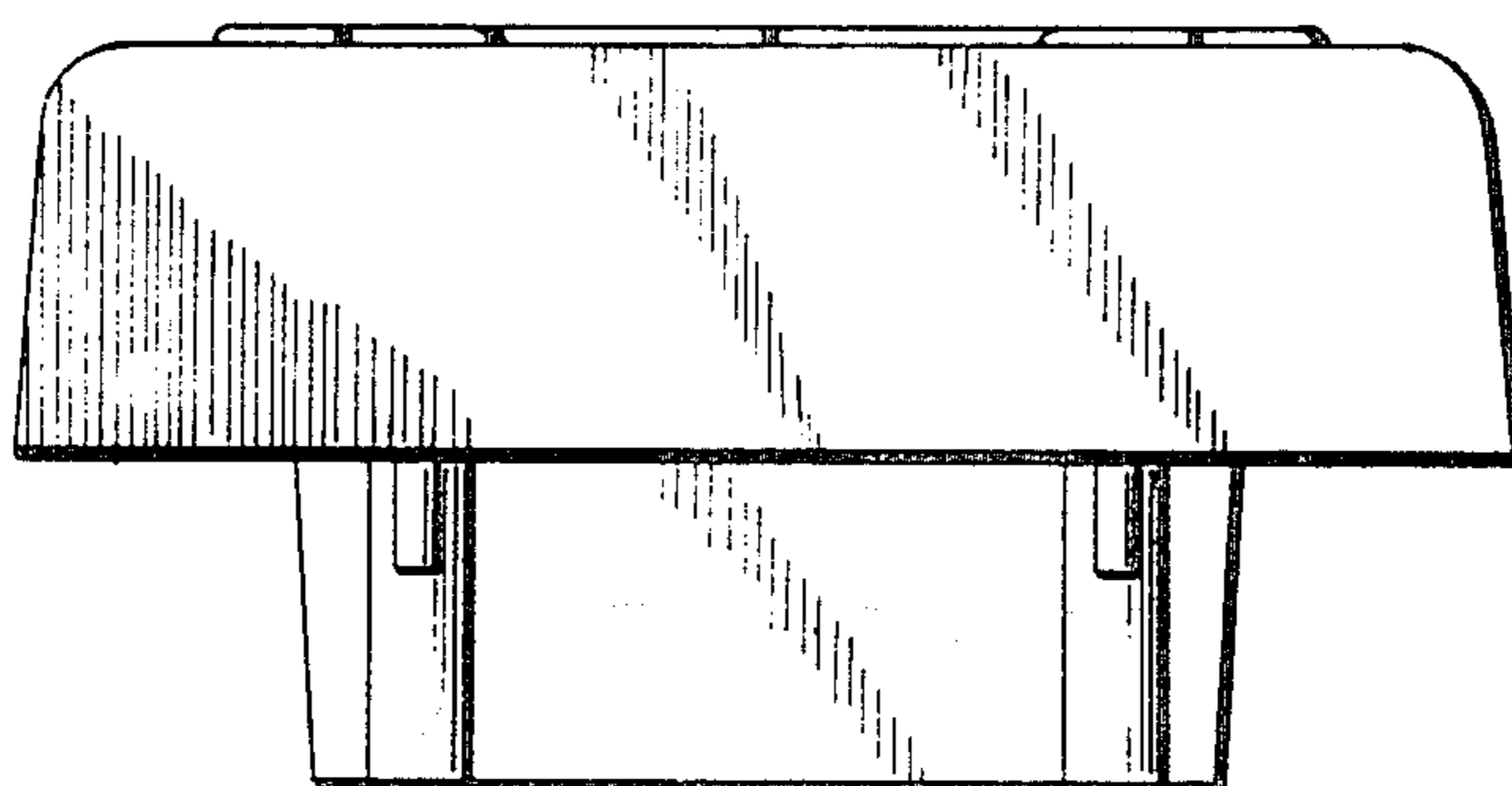


FIG. 2

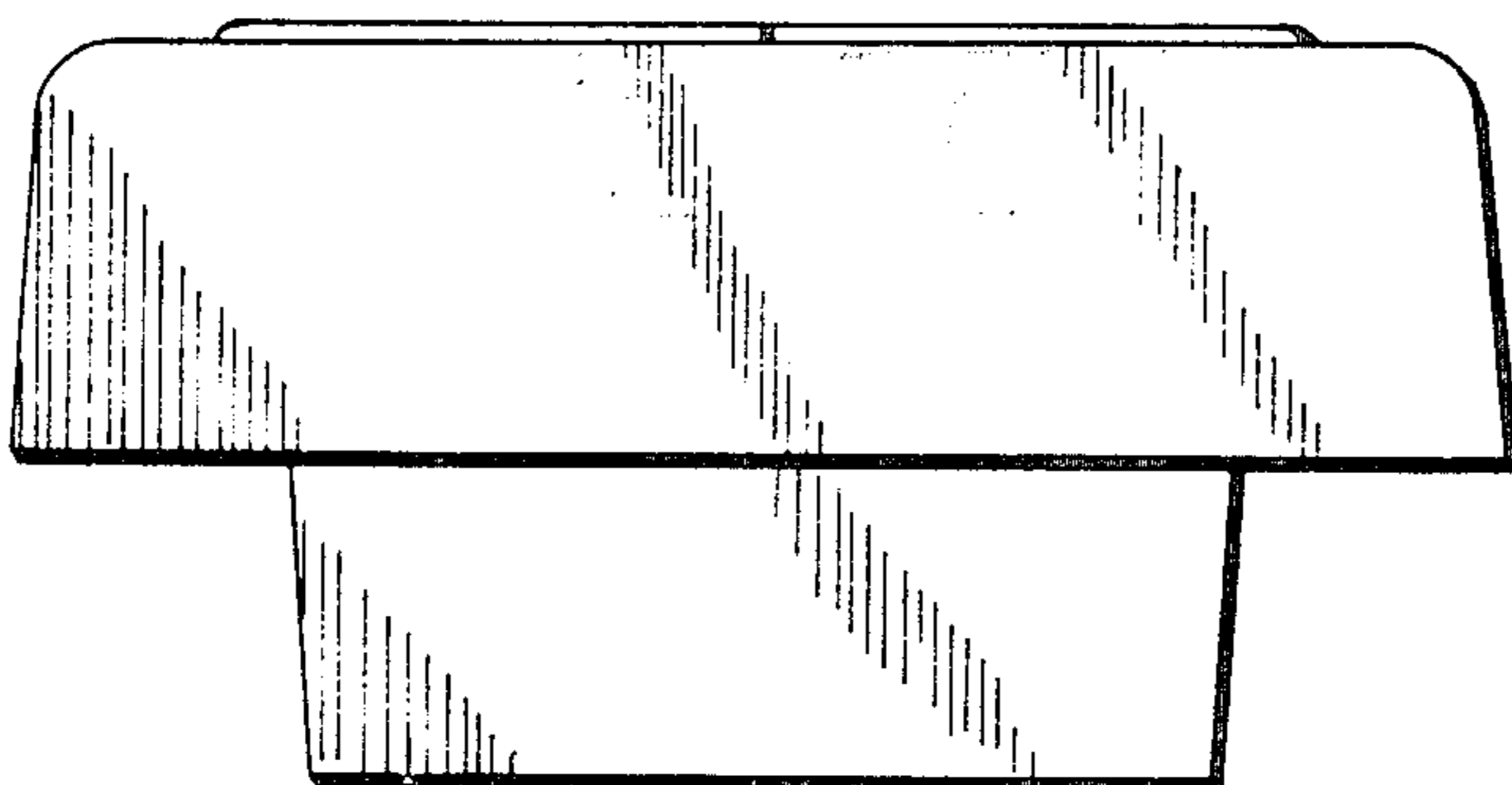


FIG. 3

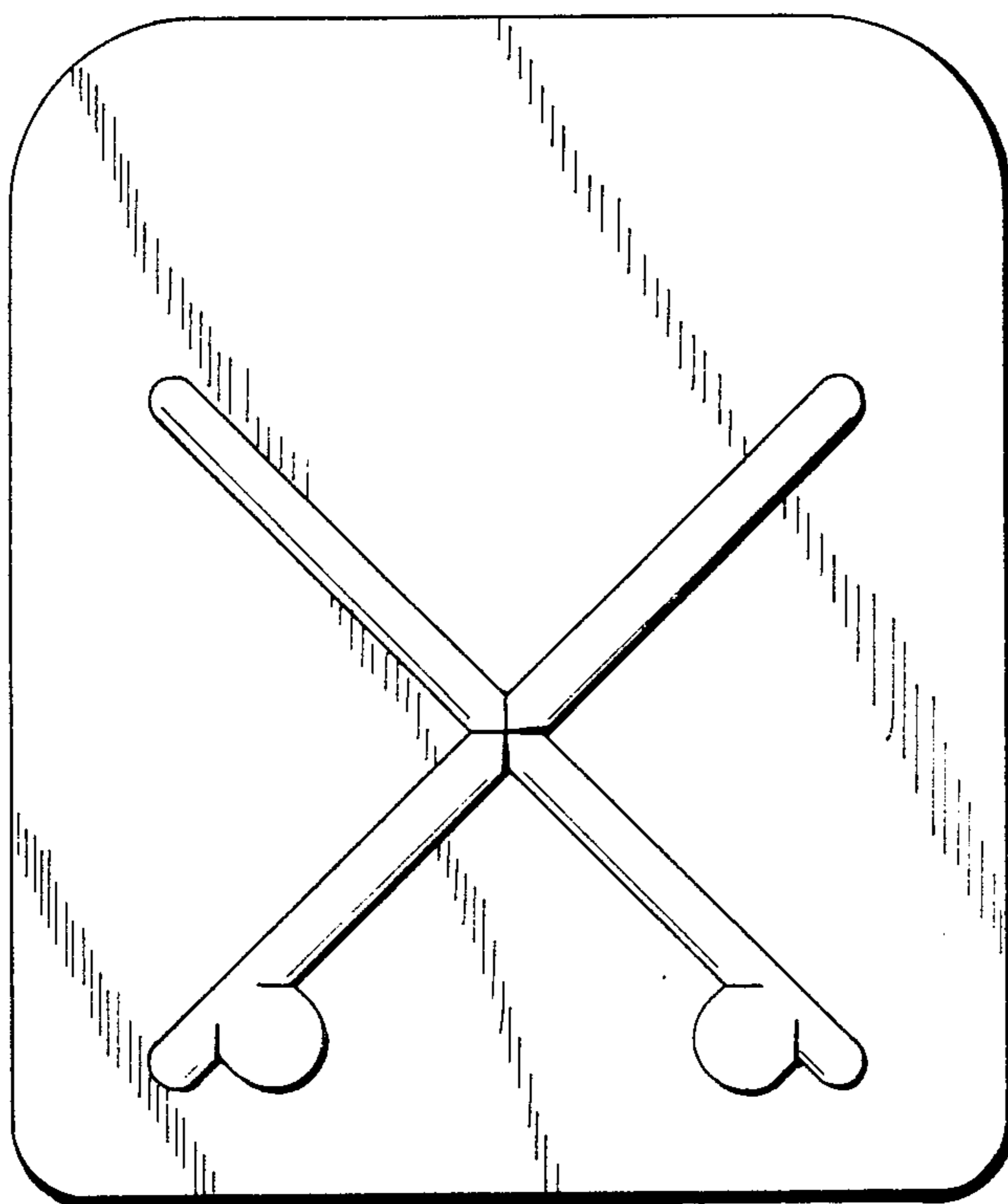


FIG. 4

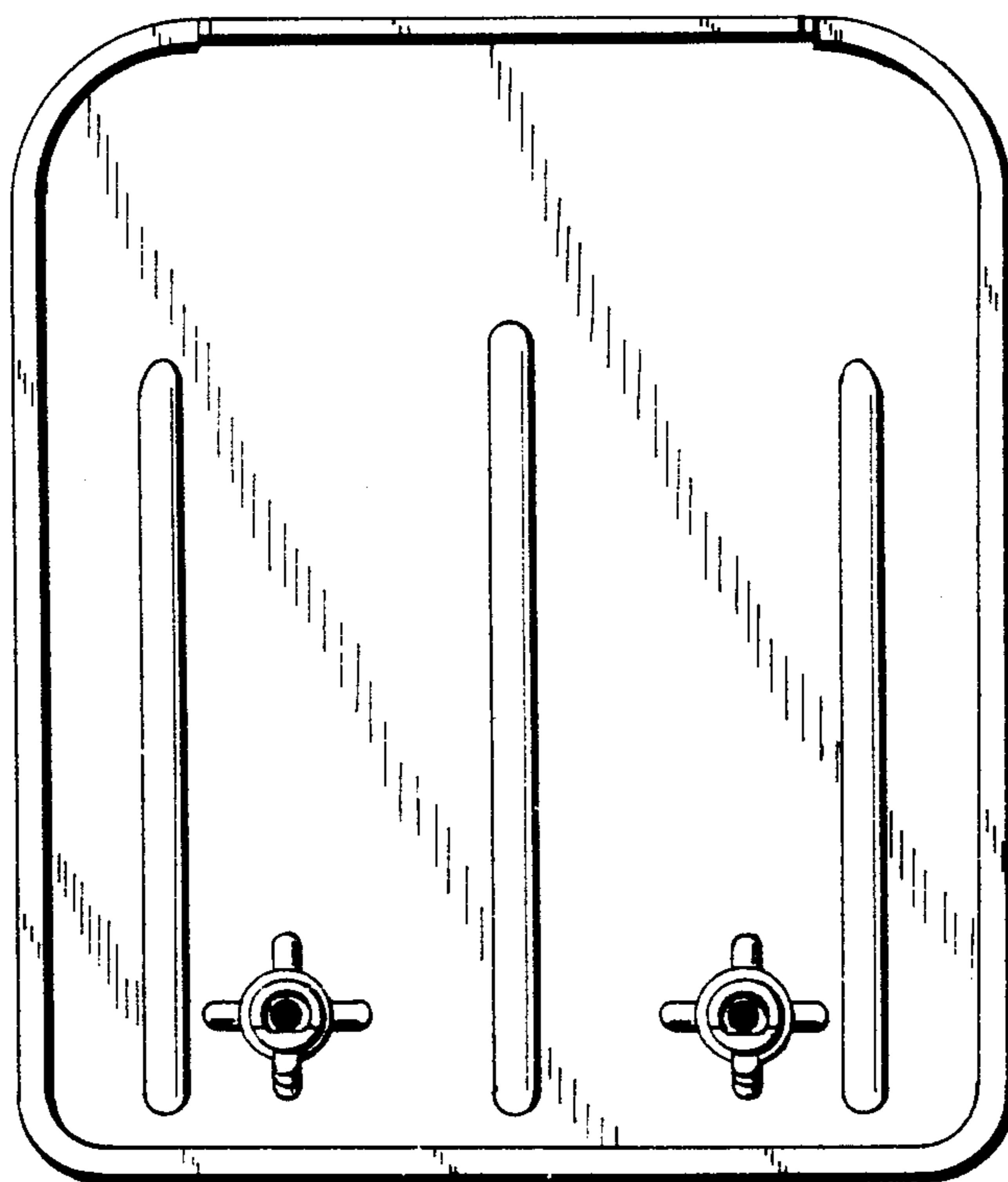


FIG. 5