

[54] BASE OF A ROOF VENT

[76] Inventors: Arthur L. Waltz, 2000 E. Columbia Way Bldg. 42, Vancouver, Wash. 98661; Elwin E. Peirce, 3890 Monroe Ave. NE., Salem, Oreg. 97301

[**] Term: 14 Years

[21] Appl. No.: 424,567

[22] Filed: Sep. 27, 1982

[52] U.S. Cl. D23/153

[58] Field of Search D23/149, 151-154, D23/163-167; 98/42

[56] References Cited

U.S. PATENT DOCUMENTS

- D. 155,345 9/1949 Johnson D23/153
- D. 216,795 3/1970 Field D23/153
- D. 240,827 8/1976 Hill et al. D23/153

- 2,826,136 3/1958 Smith 98/42
- 2,878,743 3/1959 Trunnell 98/42
- 3,093,059 6/1963 Metz 98/42
- 3,094,915 6/1963 Leigh 98/42
- 4,193,339 3/1980 Giles 98/42 R X
- 4,297,818 11/1981 Anderson 98/42 A X

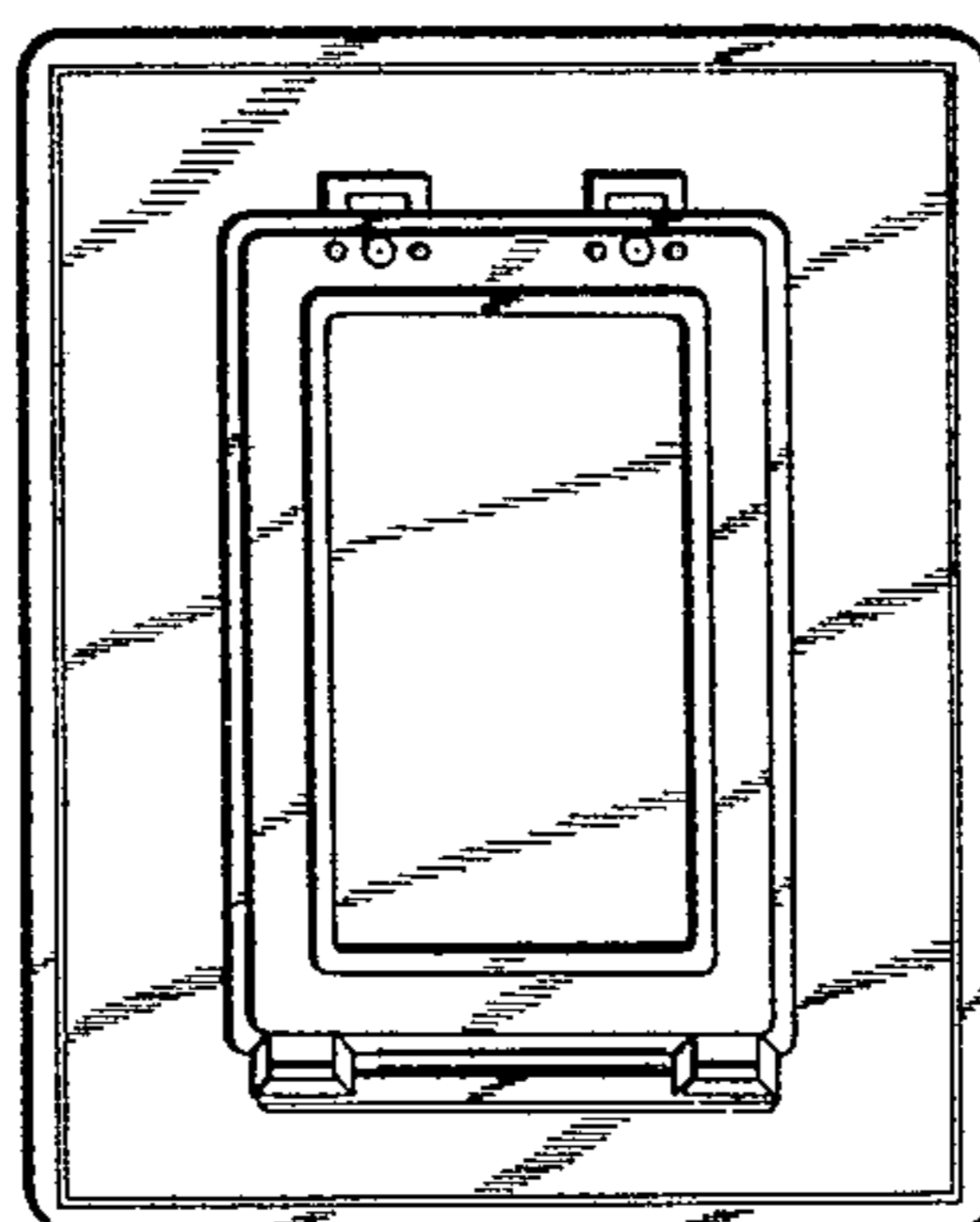
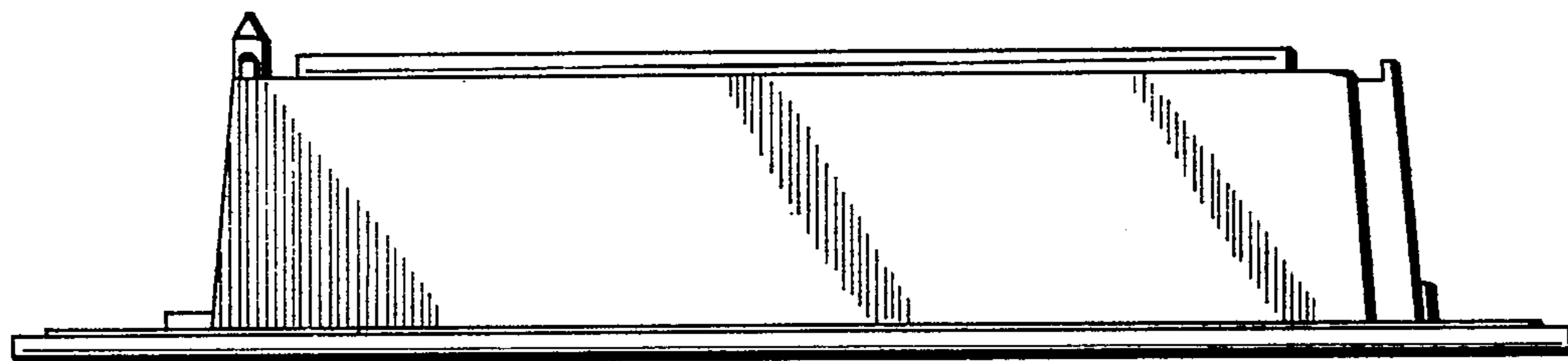
Primary Examiner—James R. Largen
Attorney, Agent, or Firm—Thomas W. Secrest

[57] CLAIM

The ornamental design for a base of a roof vent, as shown and described.

DESCRIPTION

FIG. 1 is a right side elevational view of a base of a roof vent showing our new design, the left side being a mirror image of the right side shown; FIG. 2 is a front elevational view thereof; FIG. 3 is a rear elevational view thereof; FIG. 4 is a bottom plan view thereof; and FIG. 5 is a top plan view thereof.



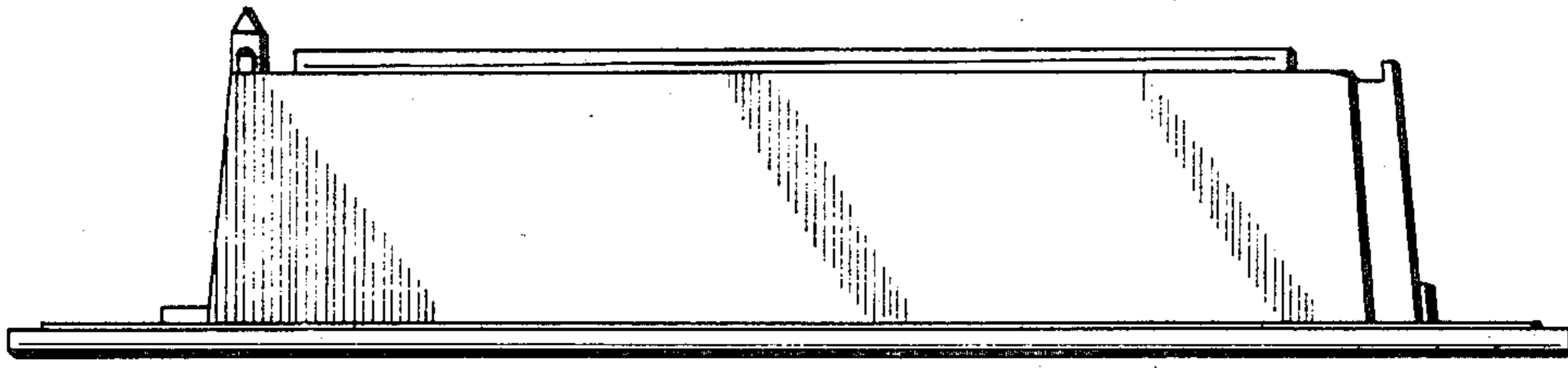


FIG. 1

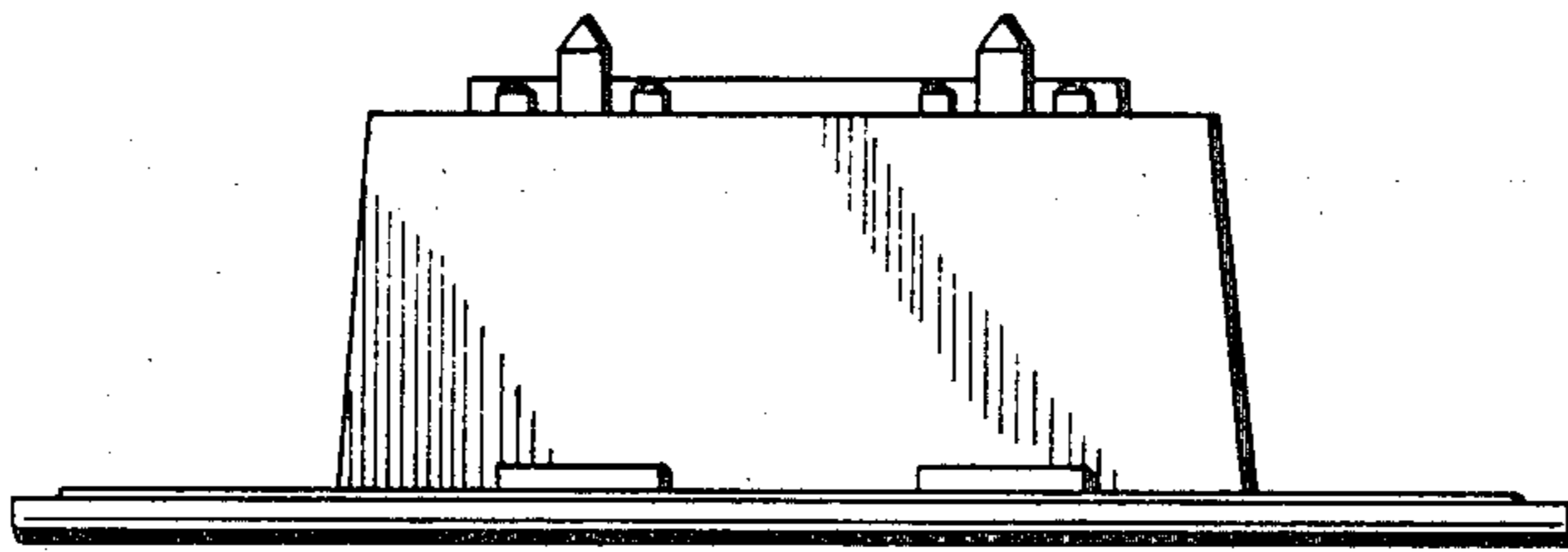


FIG. 2

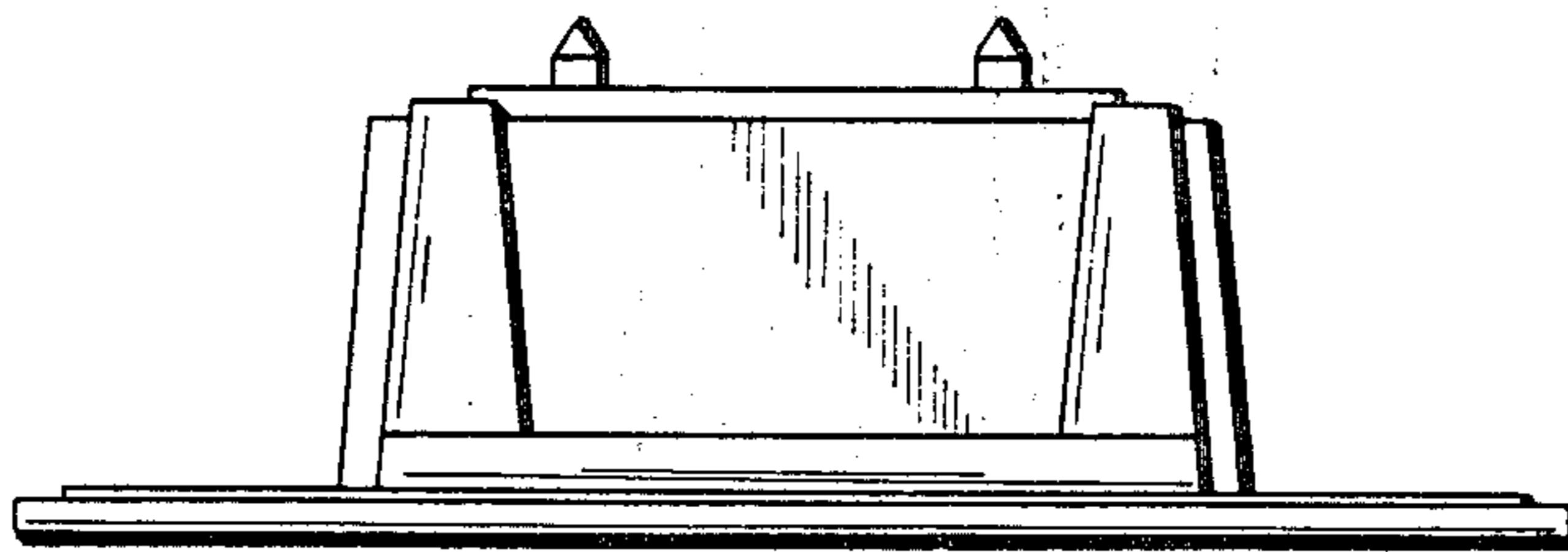


FIG. 3

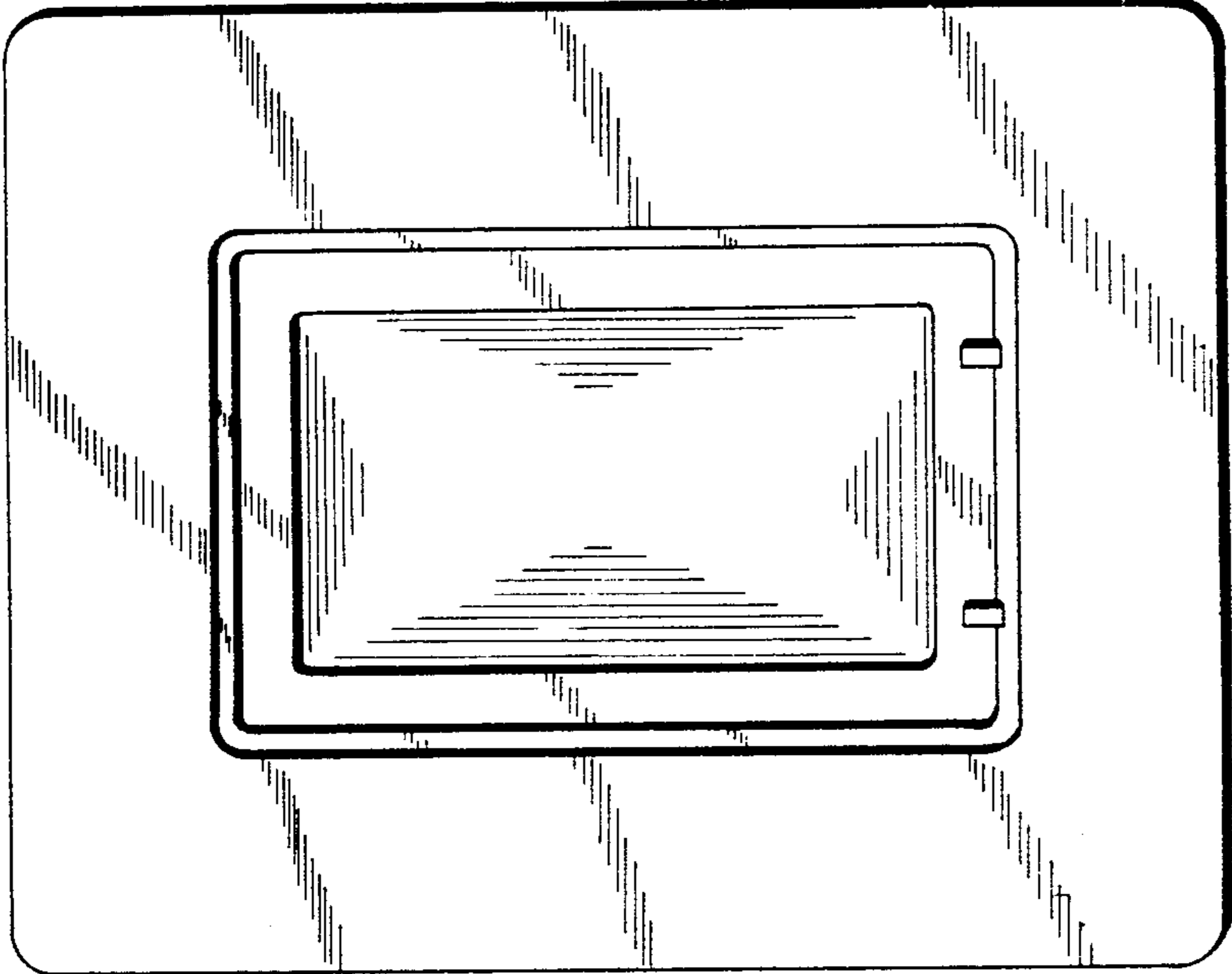


FIG. 4

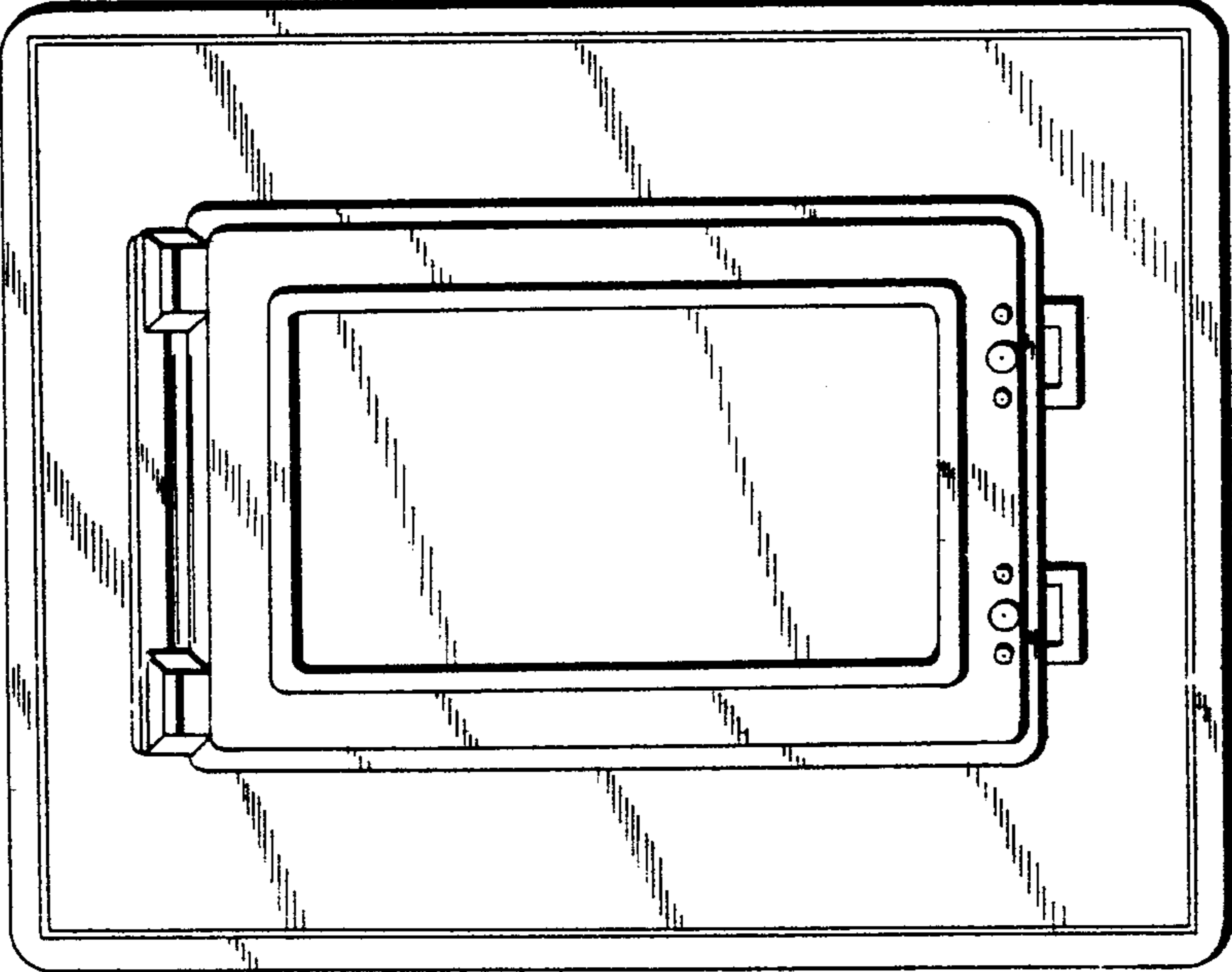


FIG. 5