

[54] **CONTROL VALVE FOR SPRINKLERS**
 [75] Inventors: **Harold F. Fechtner, Claremont;**
Robert S. Szemerédi, Tujunga, both
of Calif.
 [73] Assignee: **Anthony Manufacturing Corp.,**
Azusa, Calif.
 [**] Term: **14 Years**
 [21] Appl. No.: **343,462**
 [22] Filed: **Jan. 28, 1982**
 [52] U.S. Cl. **D23/19; D23/38**
 [58] Field of Search **D23/38, 39, 19-22;**
239/63, 64, 66, 70; 137/624.12, 624.13, 624.15,
624.17, 624.18, 624.19, 624.20

3,735,779 5/1973 Hunter 239/70 X
 3,865,138 2/1975 Jones 239/70 X
 3,921,667 11/1975 Corliss et al. 239/70 X
 4,108,419 8/1978 Sturman et al. 239/70 X
 4,114,647 9/1978 Sturman et al. 239/70 X
 4,130,135 12/1978 Moore 239/70 X
 4,232,707 11/1980 Sturman et al. 239/70 X

Primary Examiner—James R. Largen
Attorney, Agent, or Firm—Fulwider, Patton, Rieber,
 Lee & Utecht

[56] **References Cited**

U.S. PATENT DOCUMENTS

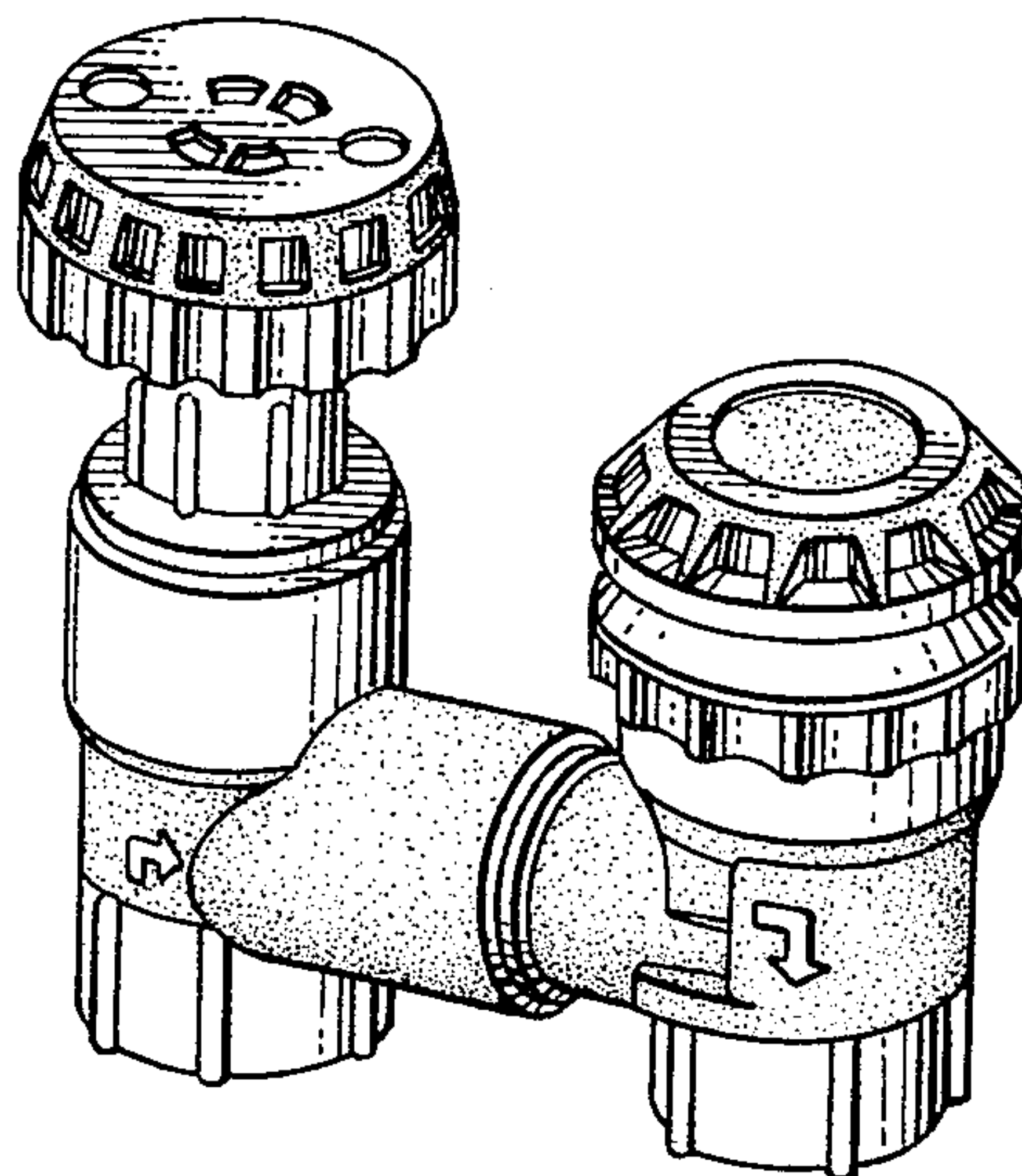
D. 191,294	9/1961	Charnota	D23/39
D. 207,766	5/1967	Keane	D23/19
D. 208,451	8/1967	Anesi	D23/38
D. 212,154	9/1968	Benjamin	D23/38
D. 213,498	3/1969	Fegel	D23/19
D. 235,145	5/1975	Fernandez	D23/38
D. 247,717	4/1978	Sturman et al.	D23/38
D. 253,843	1/1980	Fernandez	D23/38
D. 258,140	2/1981	Sturman et al.	D23/38
D. 263,069	2/1982	Chow et al.	D23/38
D. 269,697	7/1983	Graham et al.	D23/38
3,286,733	11/1966	Hunter	239/70 X
3,379,894	4/1968	Carsten	239/70 X
3,500,844	3/1970	Sanner	239/63 X

[57] **CLAIM**

The ornamental design for a control valve for sprinklers, substantially as shown and described.

DESCRIPTION

FIG. 1 is a perspective view taken from the top, front, and left side of a control valve for sprinklers showing our new design;
 FIG. 2 is a right side elevational view thereof;
 FIG. 3 is a front elevational view thereof;
 FIG. 4 is a rear elevational view thereof;
 FIG. 5 is a bottom plan view thereof;
 FIG. 6 is a perspective view taken from the top, front, and left side of a modified form of the control valve for sprinklers shown in FIG. 1;
 FIG. 7 is a right side elevational view of FIG. 6;
 FIG. 8 is a front elevational view of FIG. 6;
 FIG. 9 is a rear elevational view of FIG. 6; and
 FIG. 10 is a bottom plan view of FIG. 6.
 The broken line representation of an electric connection in FIGS. 6 through 9 is for purposes of illustration only.



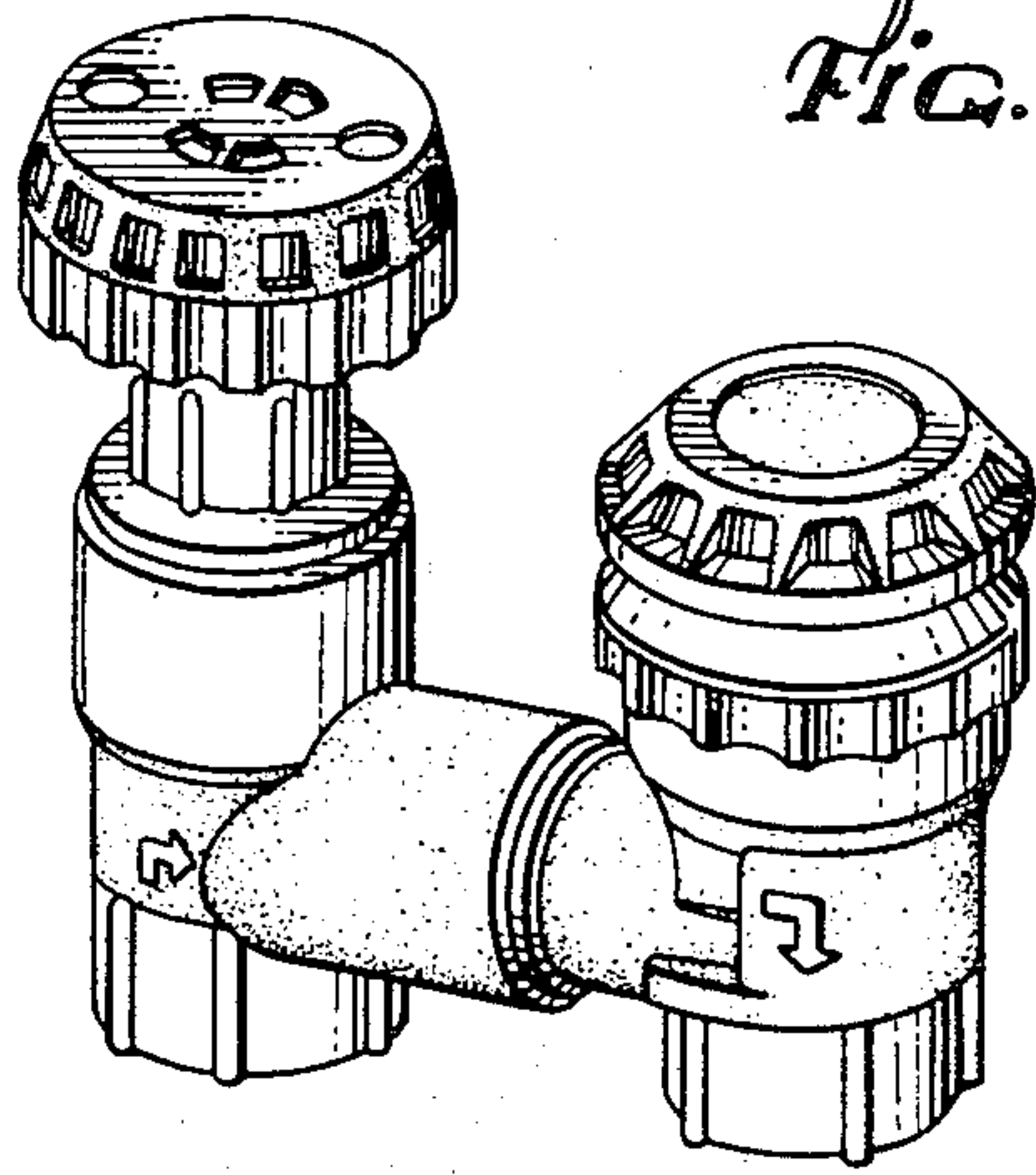


Fig. 1

Fig. 2

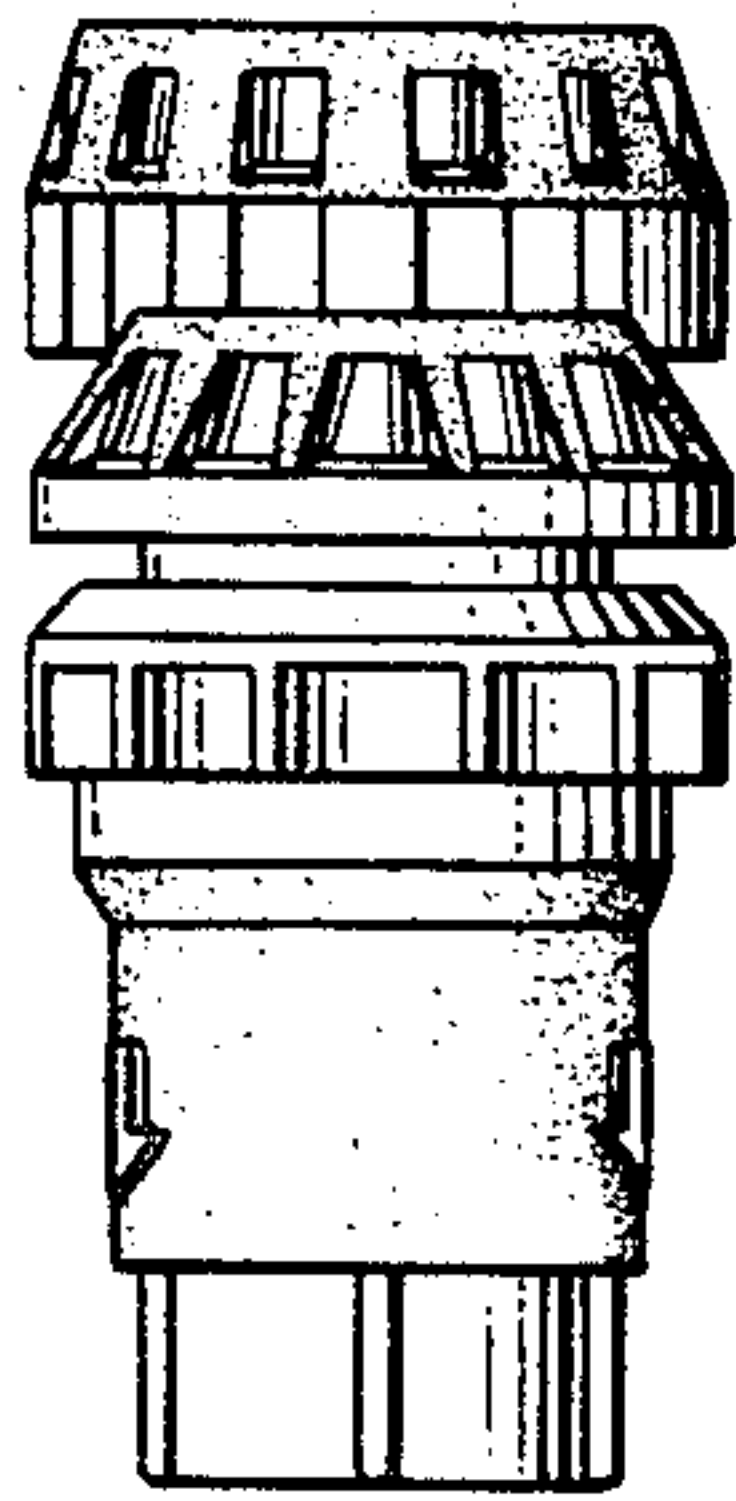
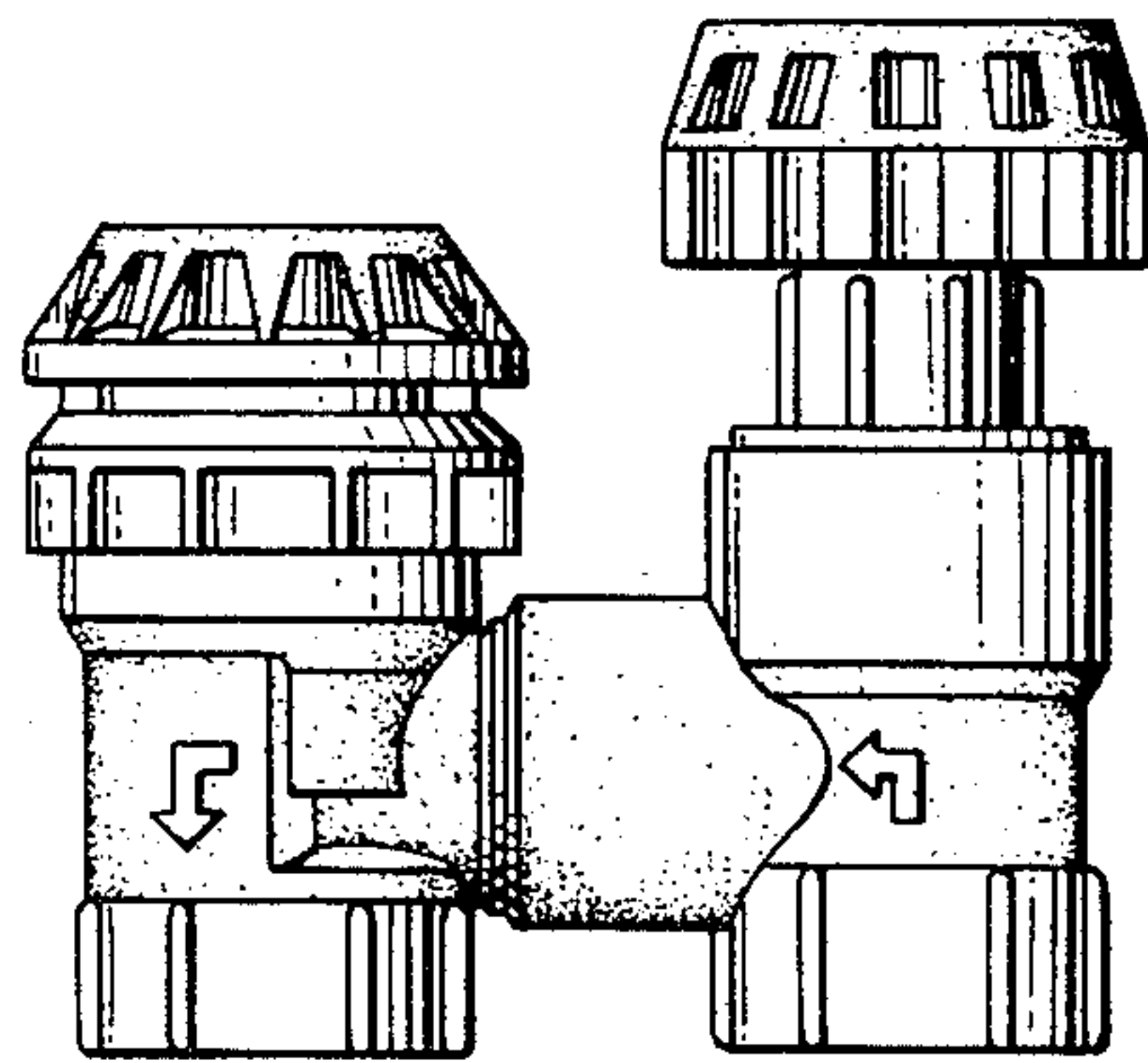


Fig. 3

Fig. 4

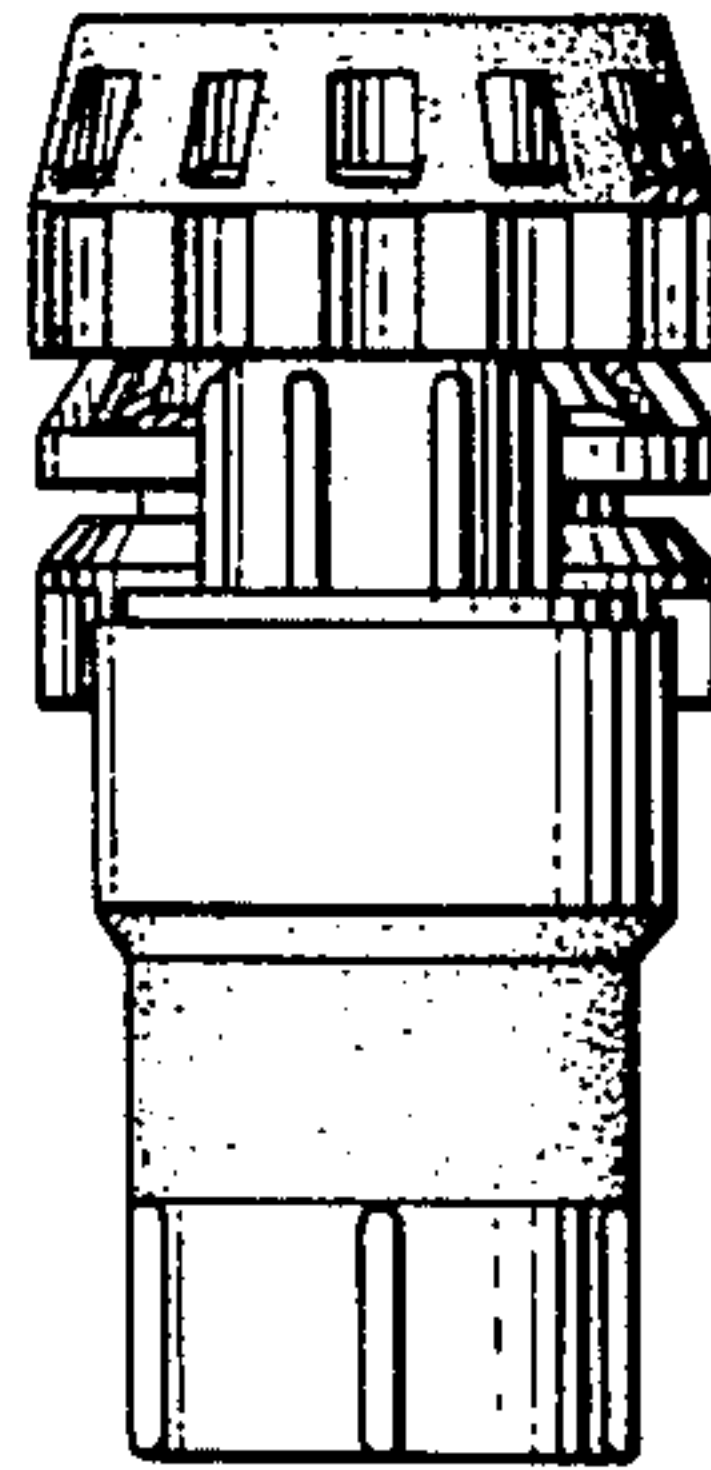
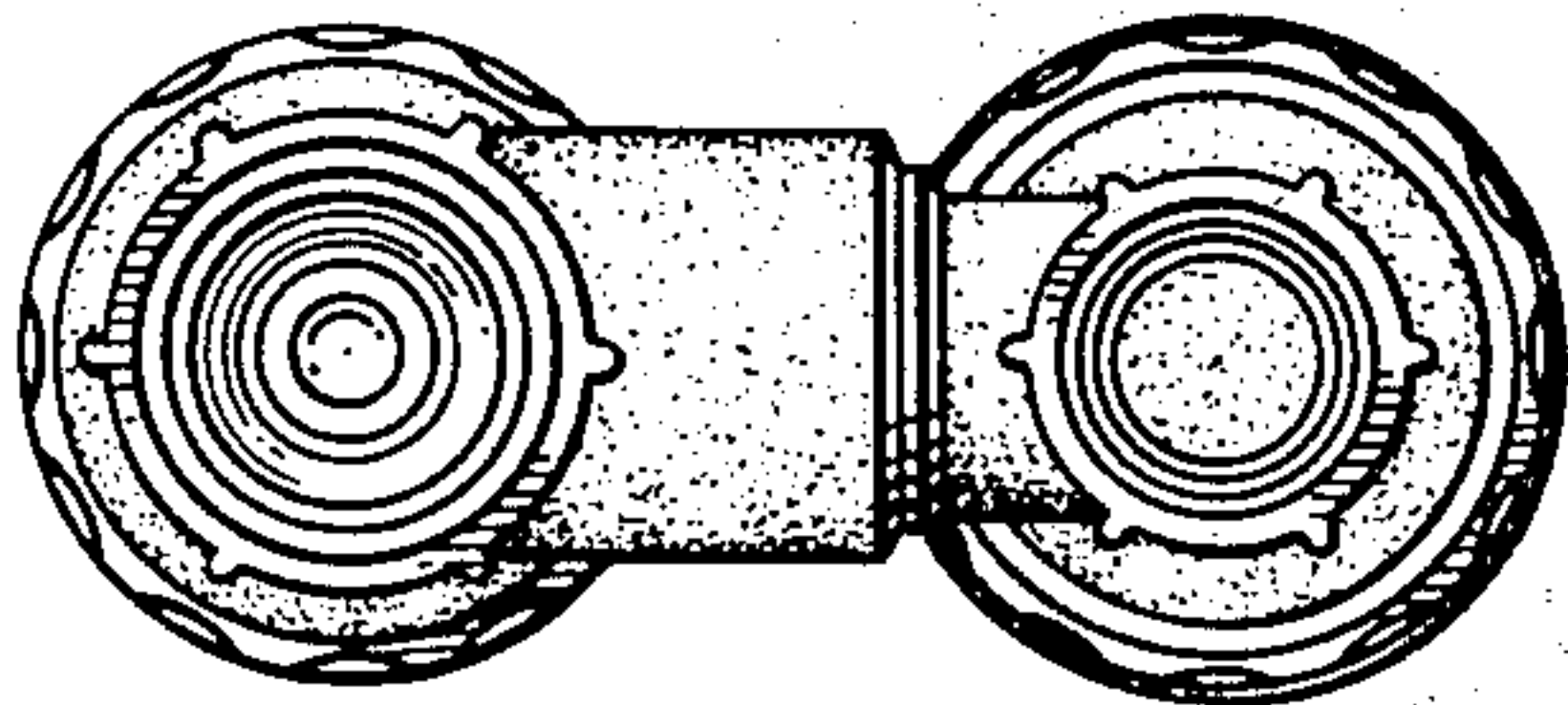


Fig. 5



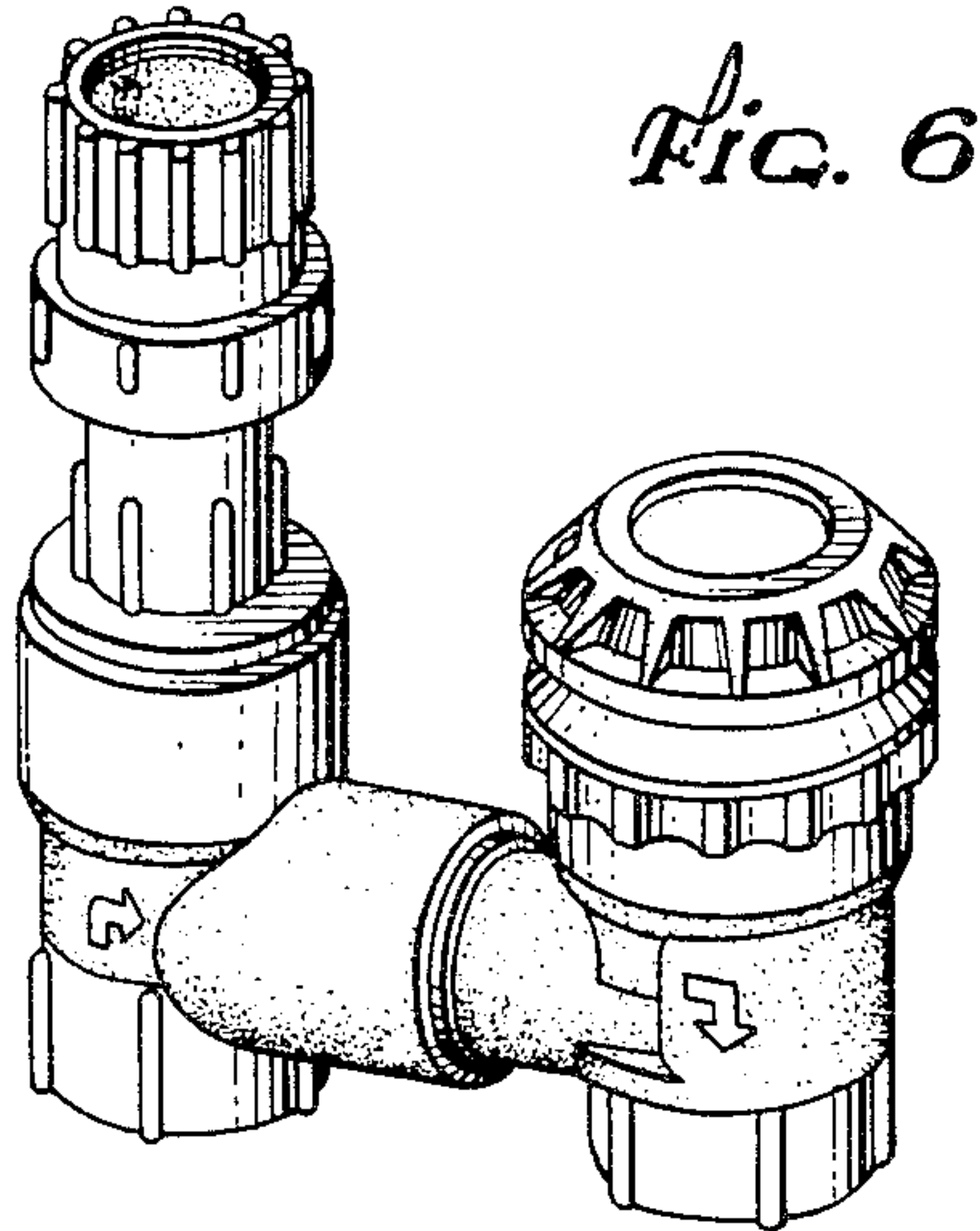


Fig. 7

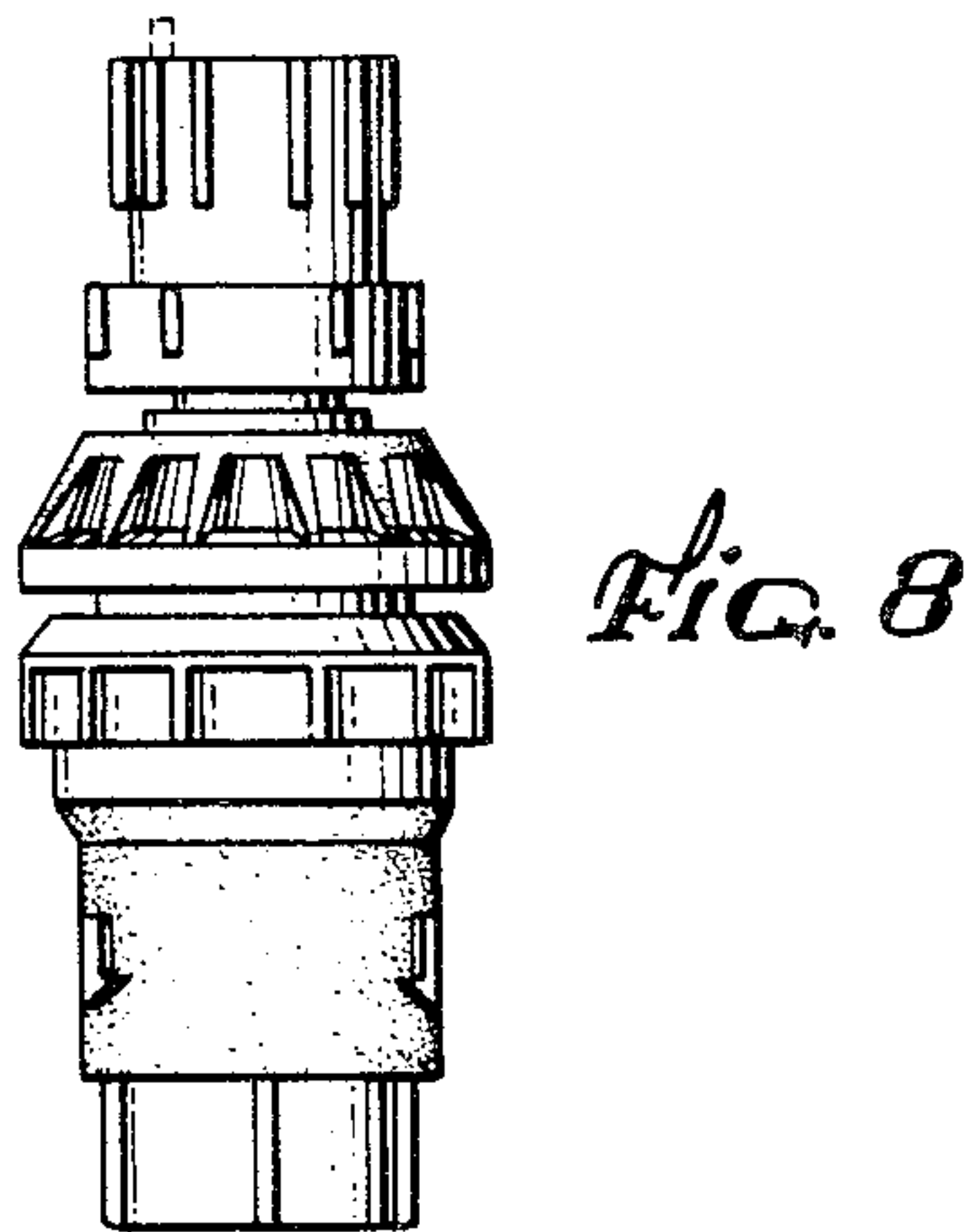
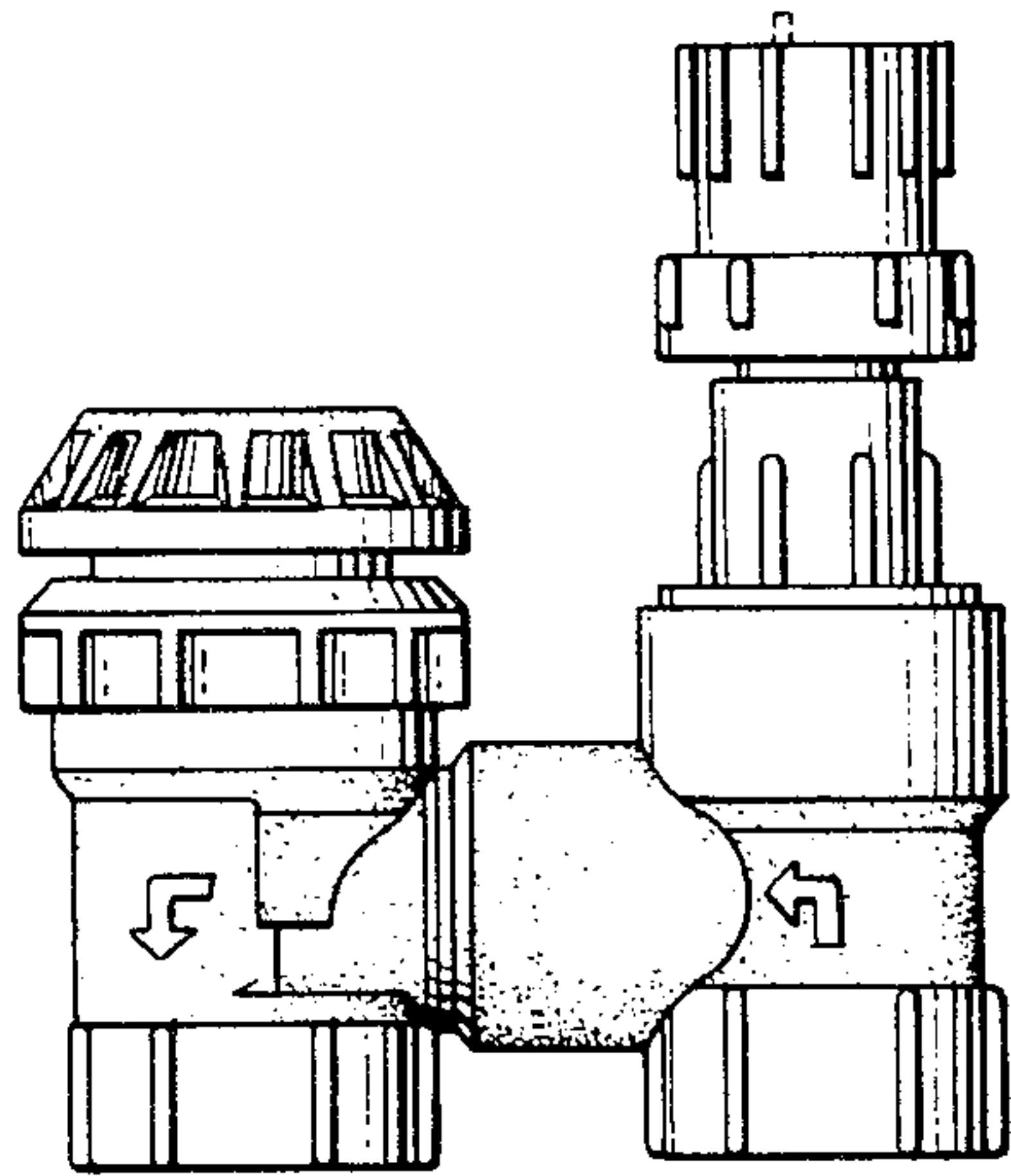


Fig. 9

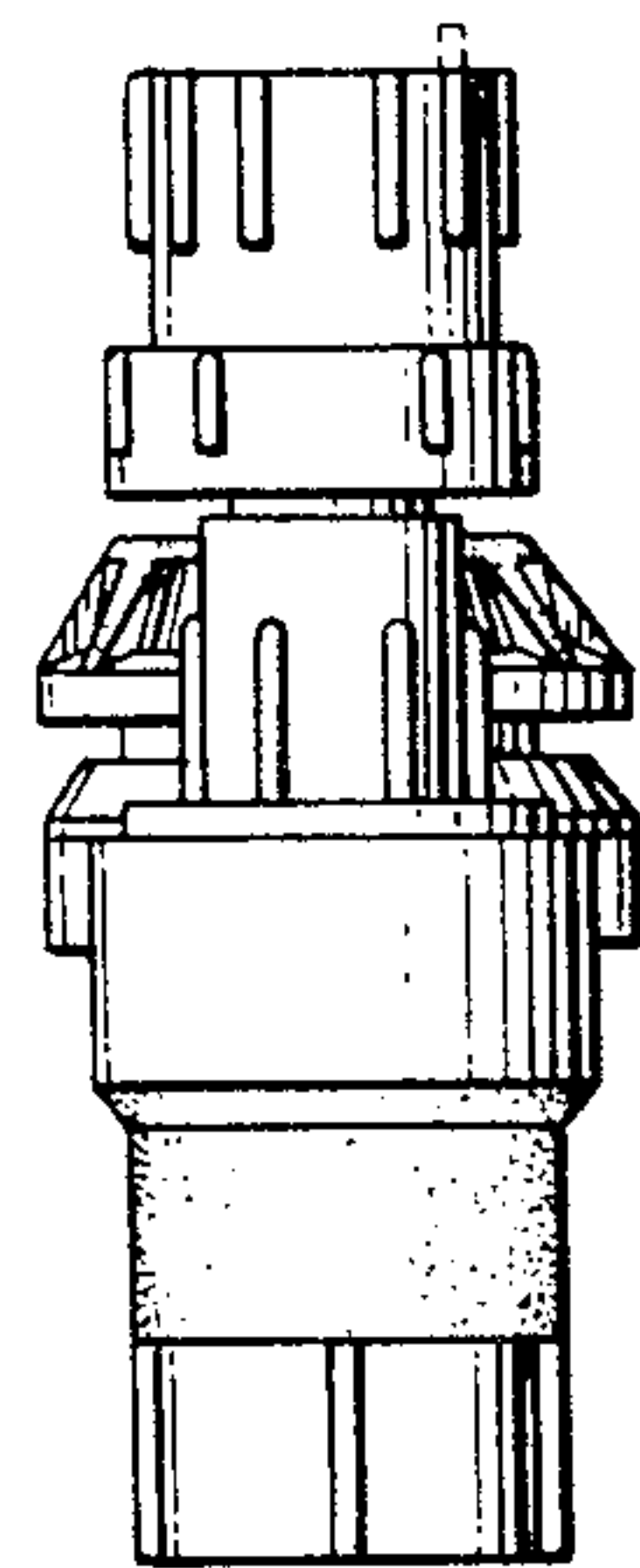


Fig. 10

