

[54] **HAND PUMP FOR DISPENSING LIQUIDS**

[75] **Inventor: Clive W. Garrard, Market Harborough, England**

[73] **Assignee: English Glass Company Limited, Leicester, England**

[\*\*] **Term: 14 Years**

[21] **Appl. No.: 372,435**

[22] **Filed: Apr. 22, 1982**

[30] **Foreign Application Priority Data**

Oct. 22, 1981 [GB] United Kingdom ..... 1003150  
[52] **U.S. Cl.** ..... **D23/17; D9/448**  
[58] **Field of Search** ..... **D23/17, 18; D9/448, D9/300; 239/302, 339, 320, 337, 338, 375; 222/491, 568**

[56] **References Cited**

**U.S. PATENT DOCUMENTS**

D. 128,490 7/1941 Hayes ..... D23/18  
D. 207,636 5/1967 Clevenger et al. .... D9/448  
D. 213,179 1/1969 Clevenger ..... D9/448  
3,474,938 10/1969 Clevenger ..... D9/300 X

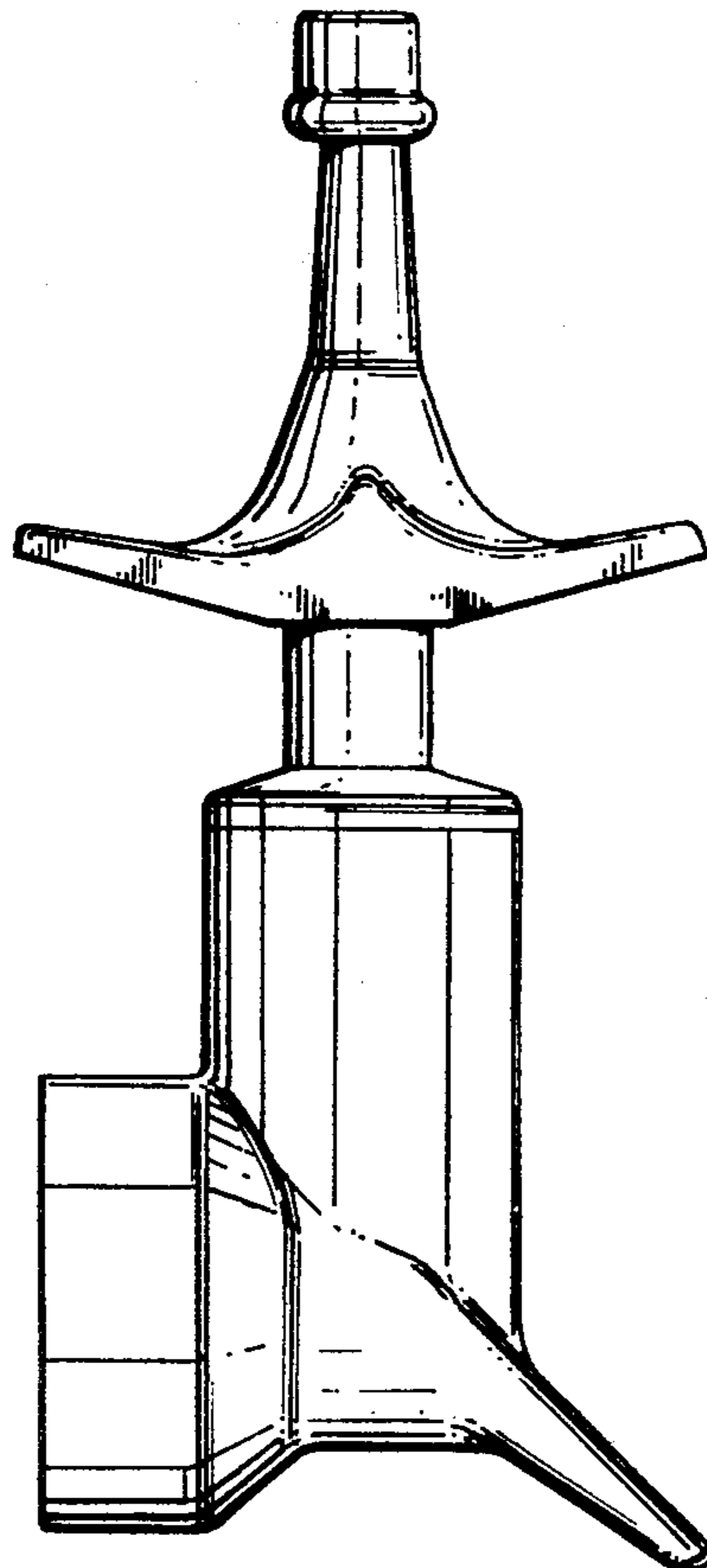
*Primary Examiner*—Robert C. Spangler  
*Attorney, Agent, or Firm*—Burns, Doane, Swecker & Mathis

[57] **CLAIM**

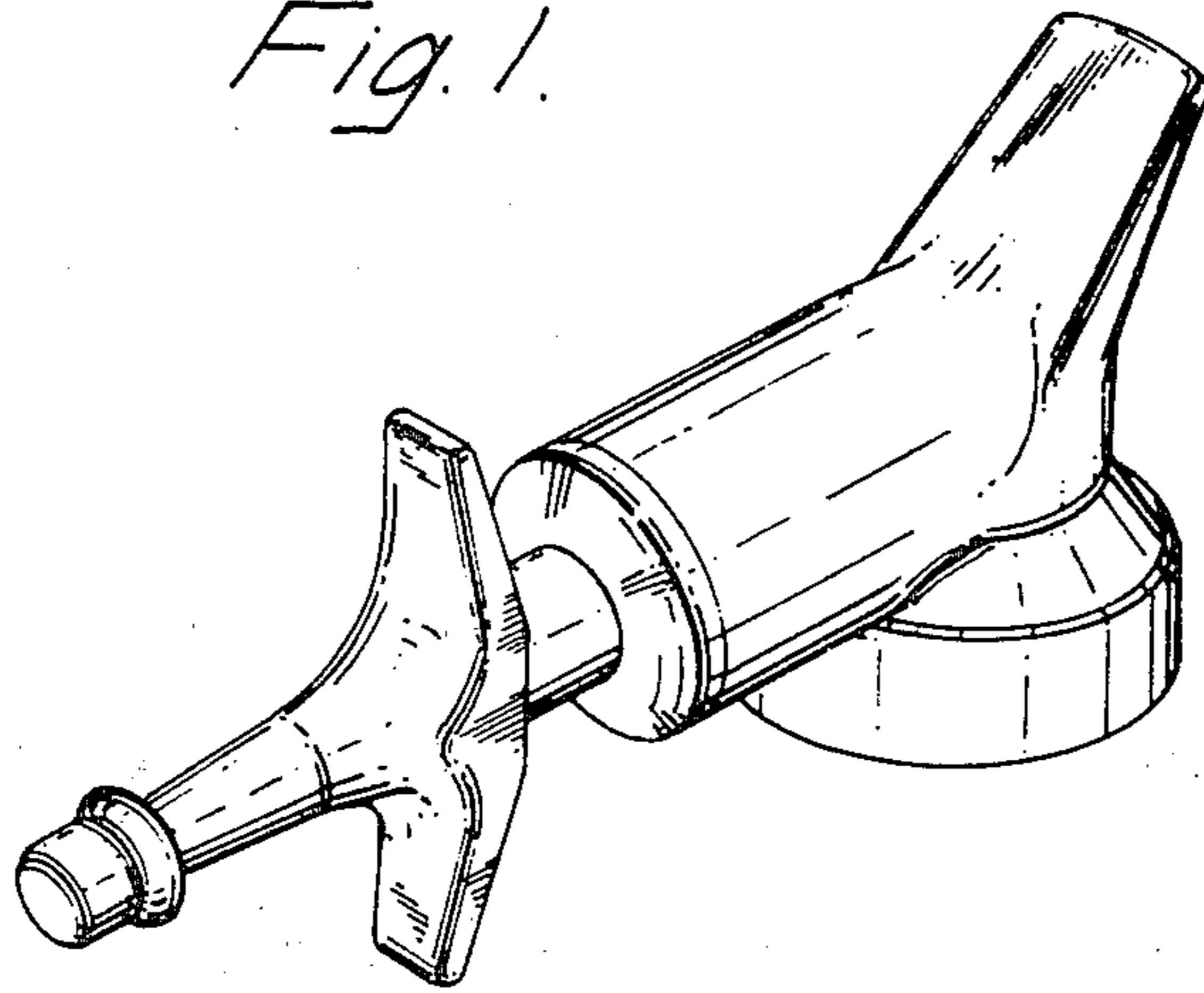
The ornamental design for a hand pump for dispensing liquids, as shown and described.

**DESCRIPTION**

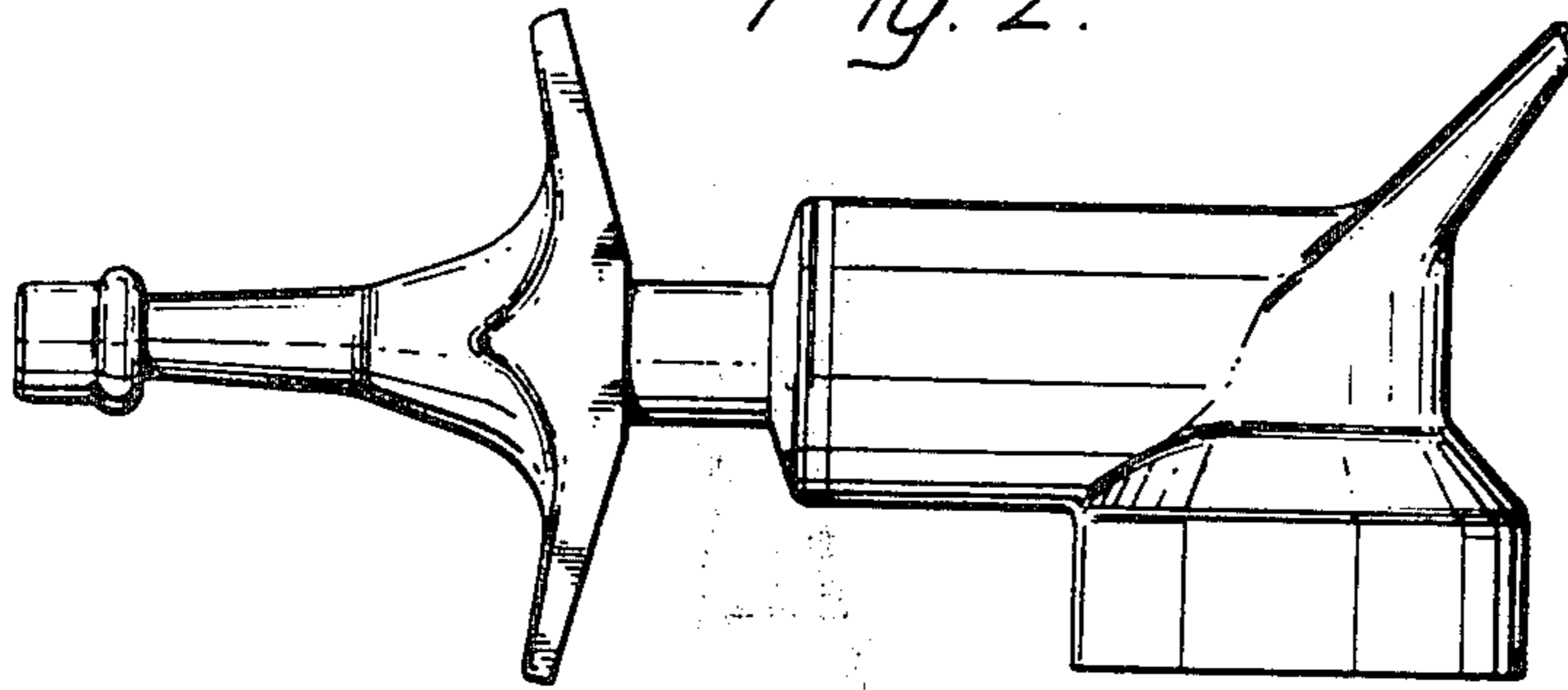
FIG. 1 is a perspective view of a hand pump for dispensing liquids showing my new design; FIG. 2 is a side elevational view, the opposite side being a mirror image of the side shown; and FIG. 3 is a top plan view.



*Fig. 1.*



*Fig. 2.*



*Fig. 3.*

