

[54] SWING SEAT

D. 244,708 6/1977 Yates D21/247

[75] Inventor: William H. Ziegler, Jr., Bedford, Pa.

Primary Examiner—Melvin B. Feifer
Attorney, Agent, or Firm—Cesari and McKenna

[73] Assignee: Brown Group Recreational Products, Inc., Bedford, Pa.

[57] CLAIM

[**] Term: 14 Years

The ornamental design for a swing seat, substantially as shown and described.

[21] Appl. No.: 407,166

DESCRIPTION

[22] Filed: Aug. 11, 1982

[52] U.S. Cl. D21/246

[58] Field of Search D21/242-247;
272/85, 113

FIG. 1 is a top plan view of a swing seat embodying my new design;

FIG. 2 is a bottom plan view thereof;

FIG. 3 is a side elevational view thereof;

FIG. 4 is an enlarged end elevational view thereof; and

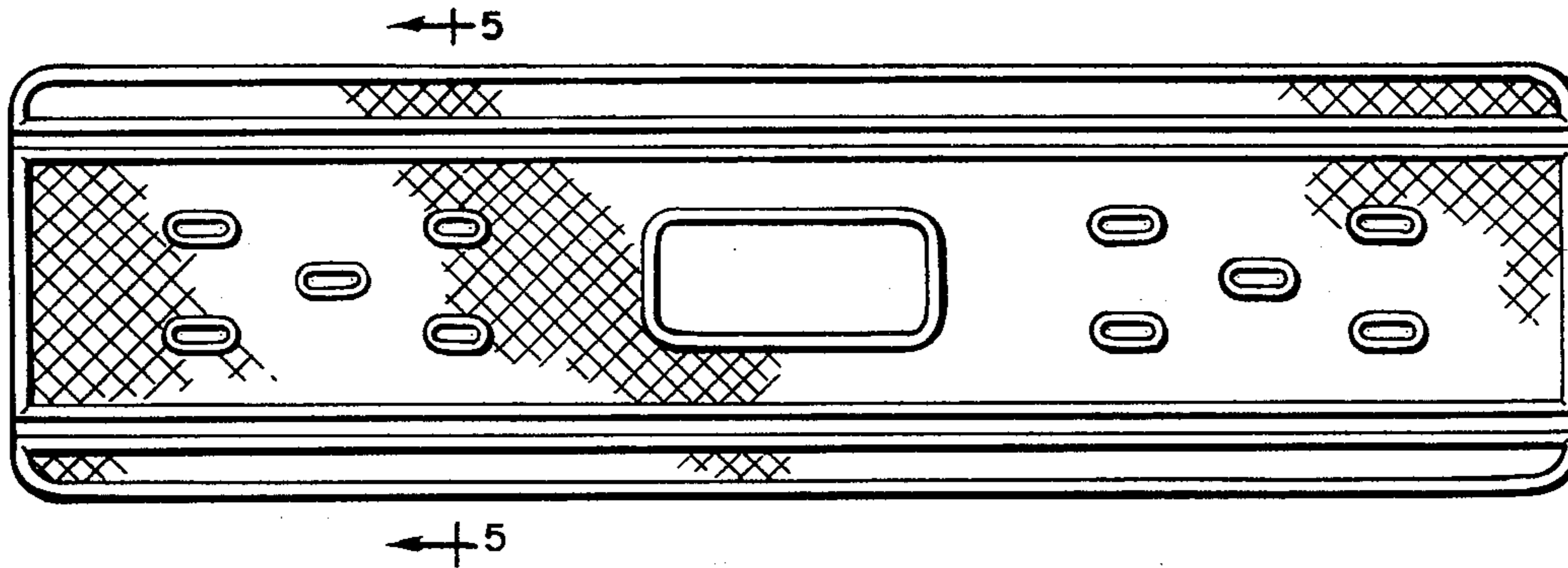
FIG. 5 is an enlarged sectional view along line 5—5 of FIG. 1.

The side and end not shown are the same as the side and end shown.

[56] References Cited

U.S. PATENT DOCUMENTS

D. 210,609 3/1968 Confer D21/246



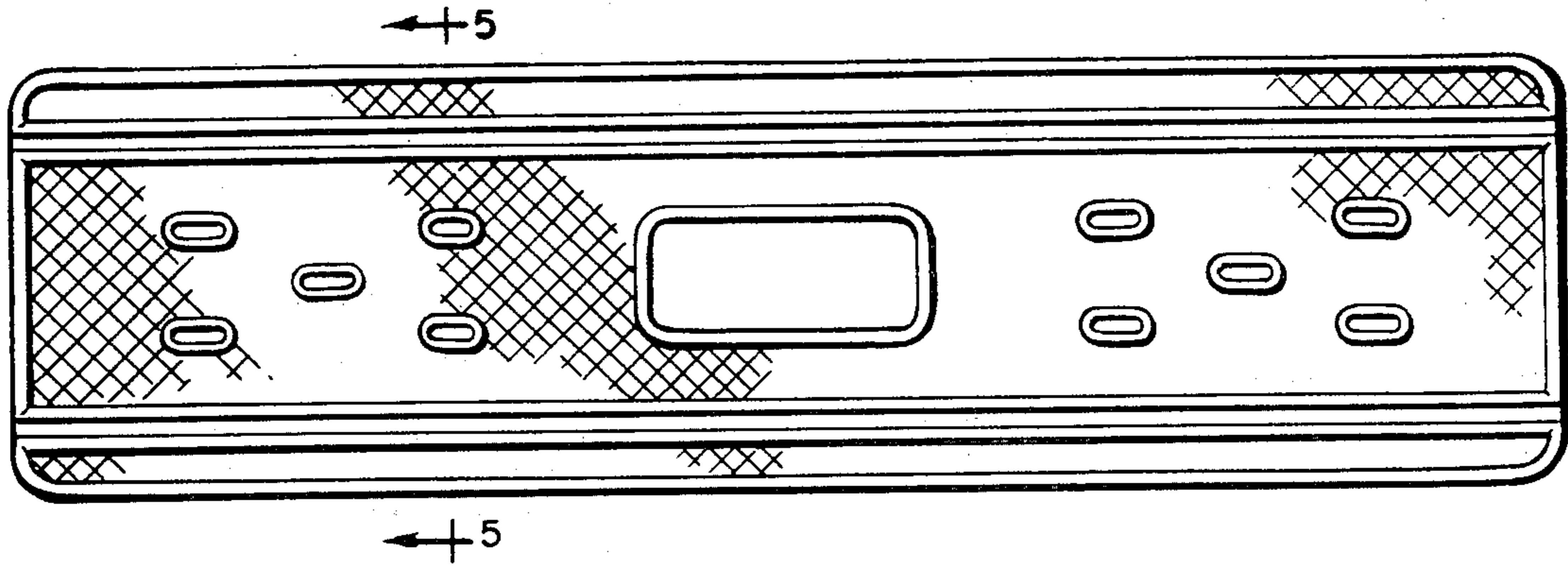


FIG. 1

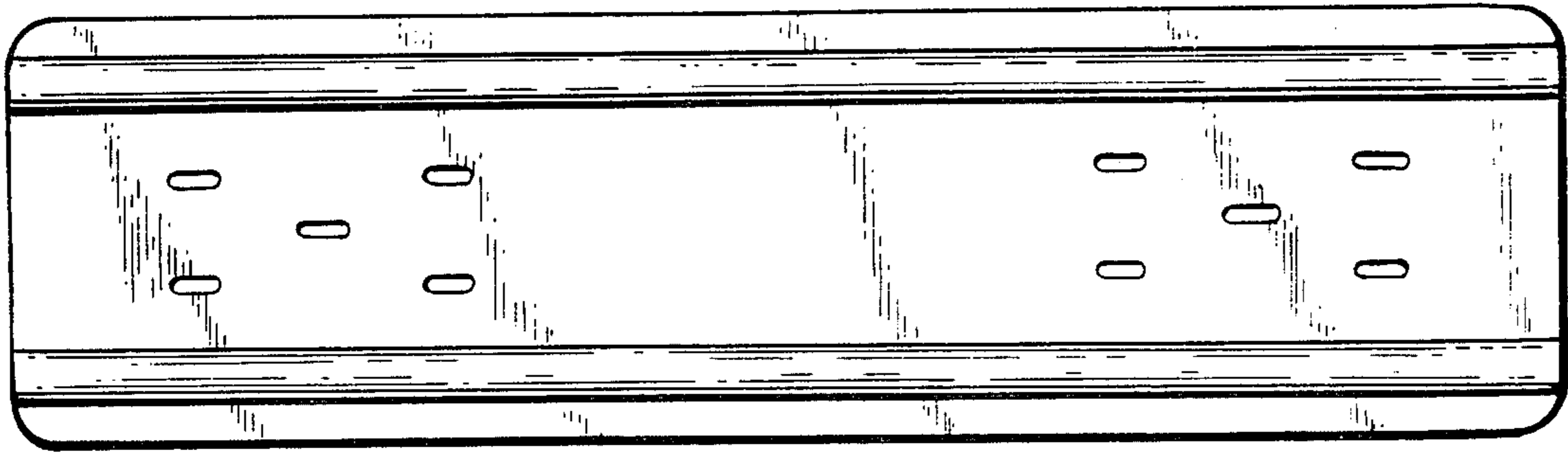


FIG. 2

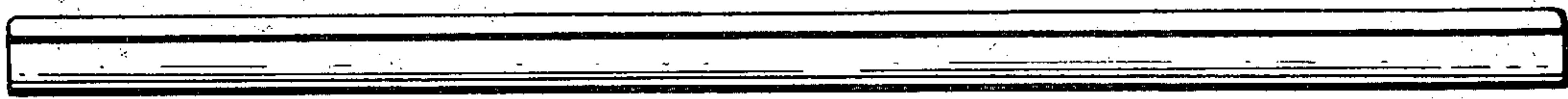


FIG. 3

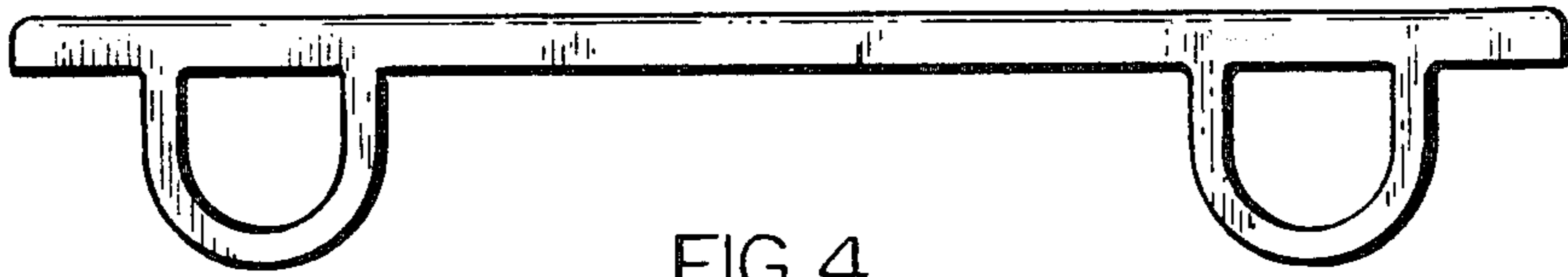


FIG. 4

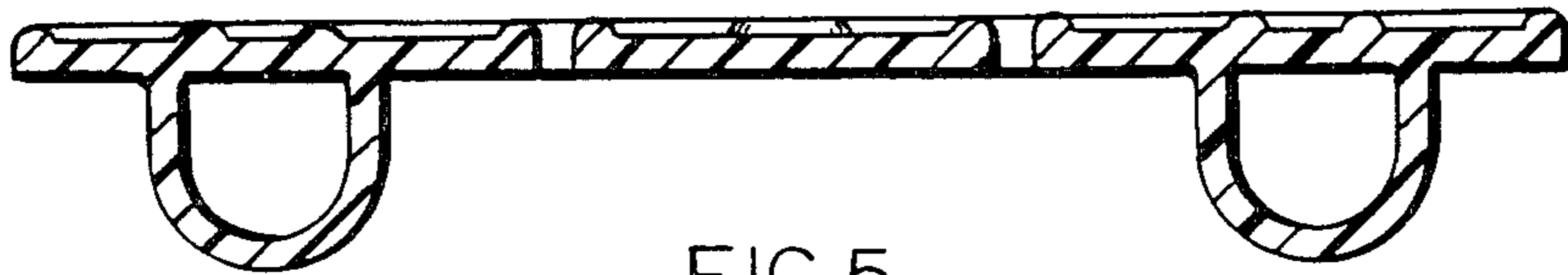


FIG. 5