

[54] TOY WORKBENCH

[75] Inventors: Mel Appel, Nine Nottingham Rd., Livingston, N.J. 07039; George Kress, Scotch Plains, N.J.

[73] Assignee: Mel Appel, Livingston, N.J.

[**] Term: 14 Years

[21] Appl. No.: 404,356

[22] Filed: Jul. 30, 1982

[52] U.S. Cl. D21/121

[58] Field of Search D21/120, 121, 109, 124; 46/1 A, 1 R, 14, 39, 47, 174; D19/62, 63

[56] References Cited

U.S. PATENT DOCUMENTS

D. 129,929	10/1941	Pressman	D21/121
D. 217,727	6/1970	Spengler et al.	D21/120
D. 267,571	1/1983	Riehm	D21/121

OTHER PUBLICATIONS

Sears 1980, Xmas Catalog, p. 614, Item 5, Toy Work Bench.

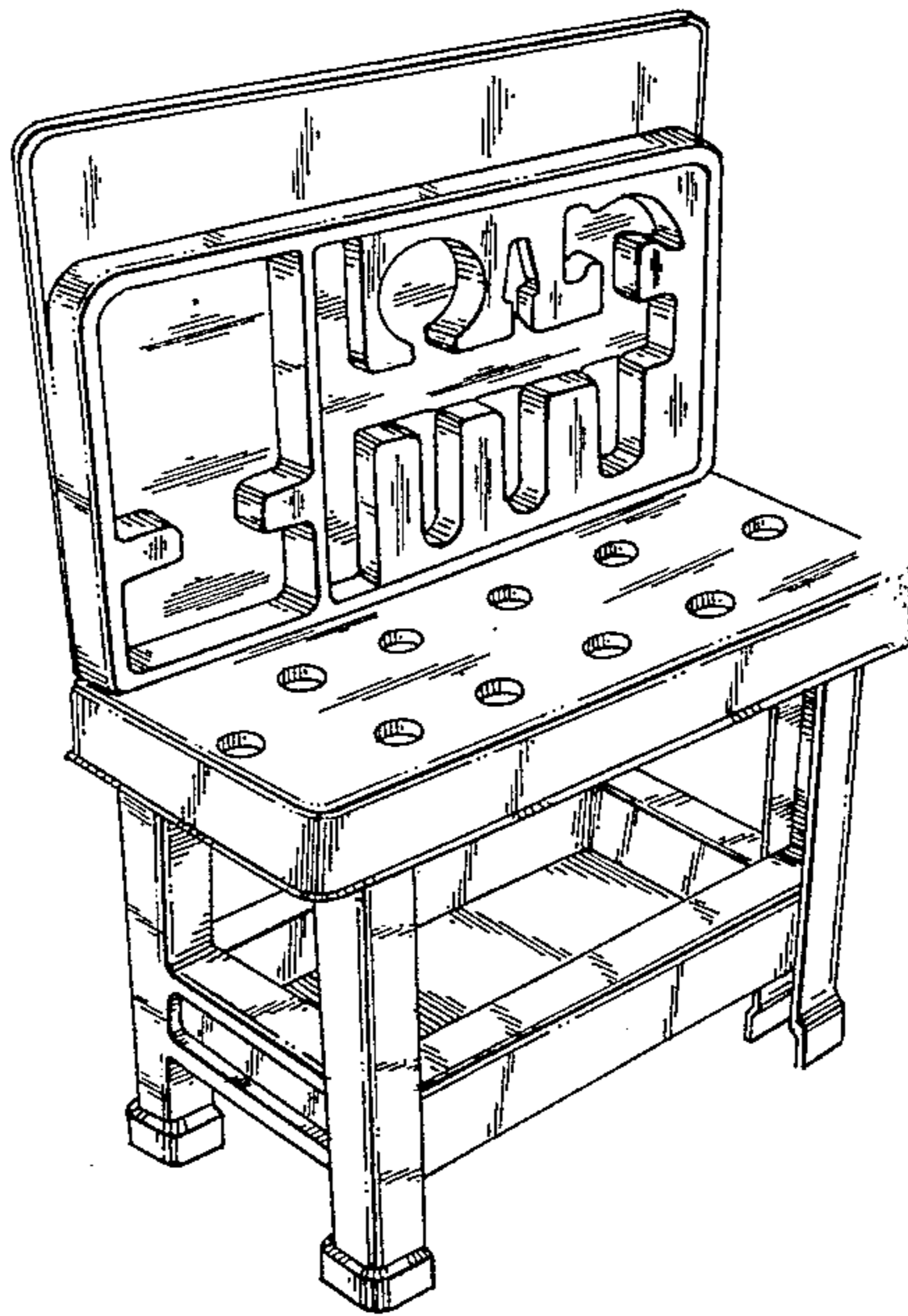
Primary Examiner—Charles A. Rademaker
Attorney, Agent, or Firm—Lerner, David, Littenberg, Krumholz & Mentlik

[57] CLAIM

The ornamental design for a toy workbench, substantially as shown and described.

DESCRIPTION

FIG. 1 is a perspective view of a toy workbench showing our new design;
FIG. 2 is a front elevational view thereof;
FIG. 3 is a right side elevational view thereof, the left side elevational view being a mirror image thereto;
FIG. 4 is a rear elevational view thereof;
FIG. 5 is a top plan view thereof; and
FIG. 6 is a bottom plan view thereof.



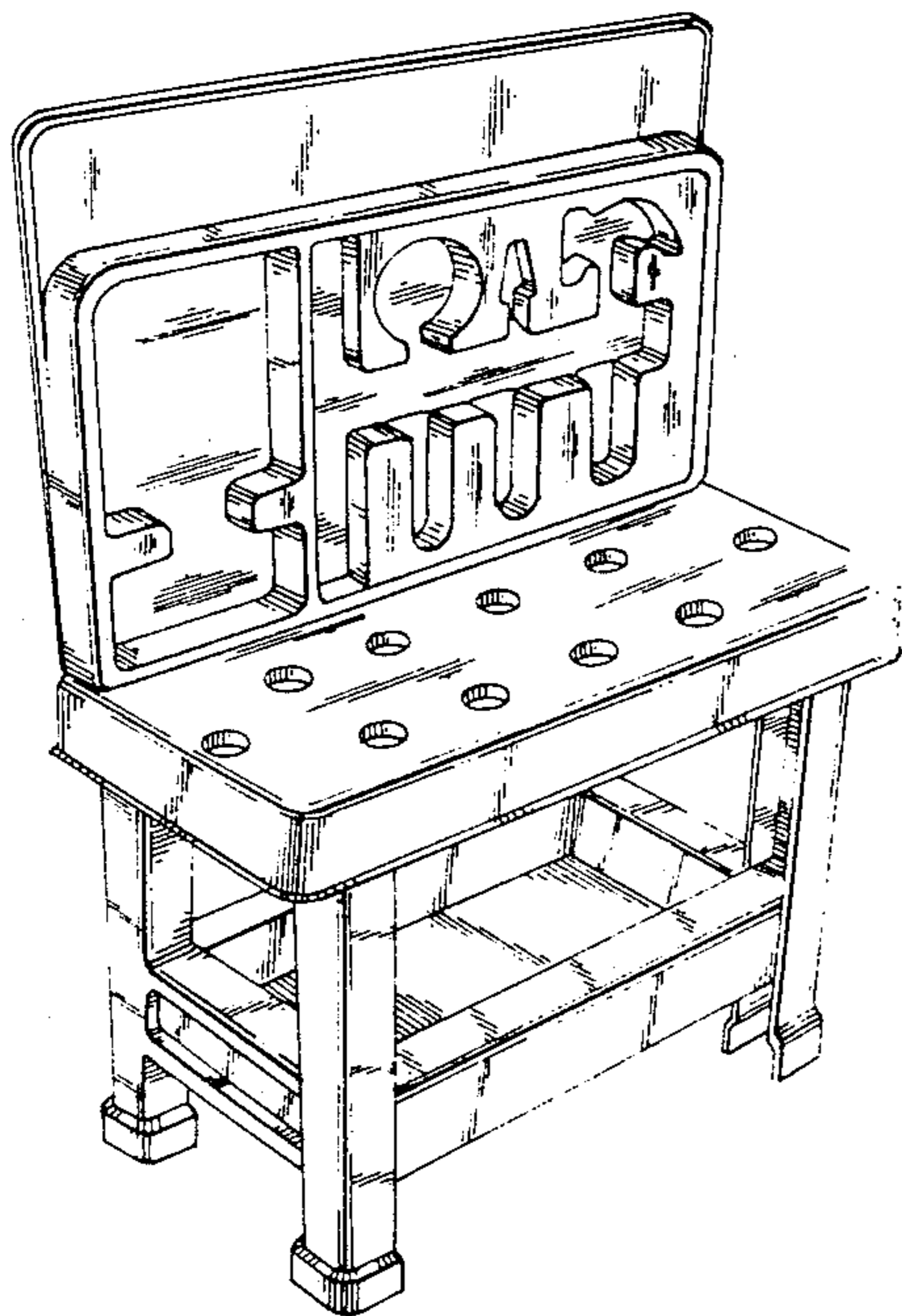


FIG. 1

FIG. 2

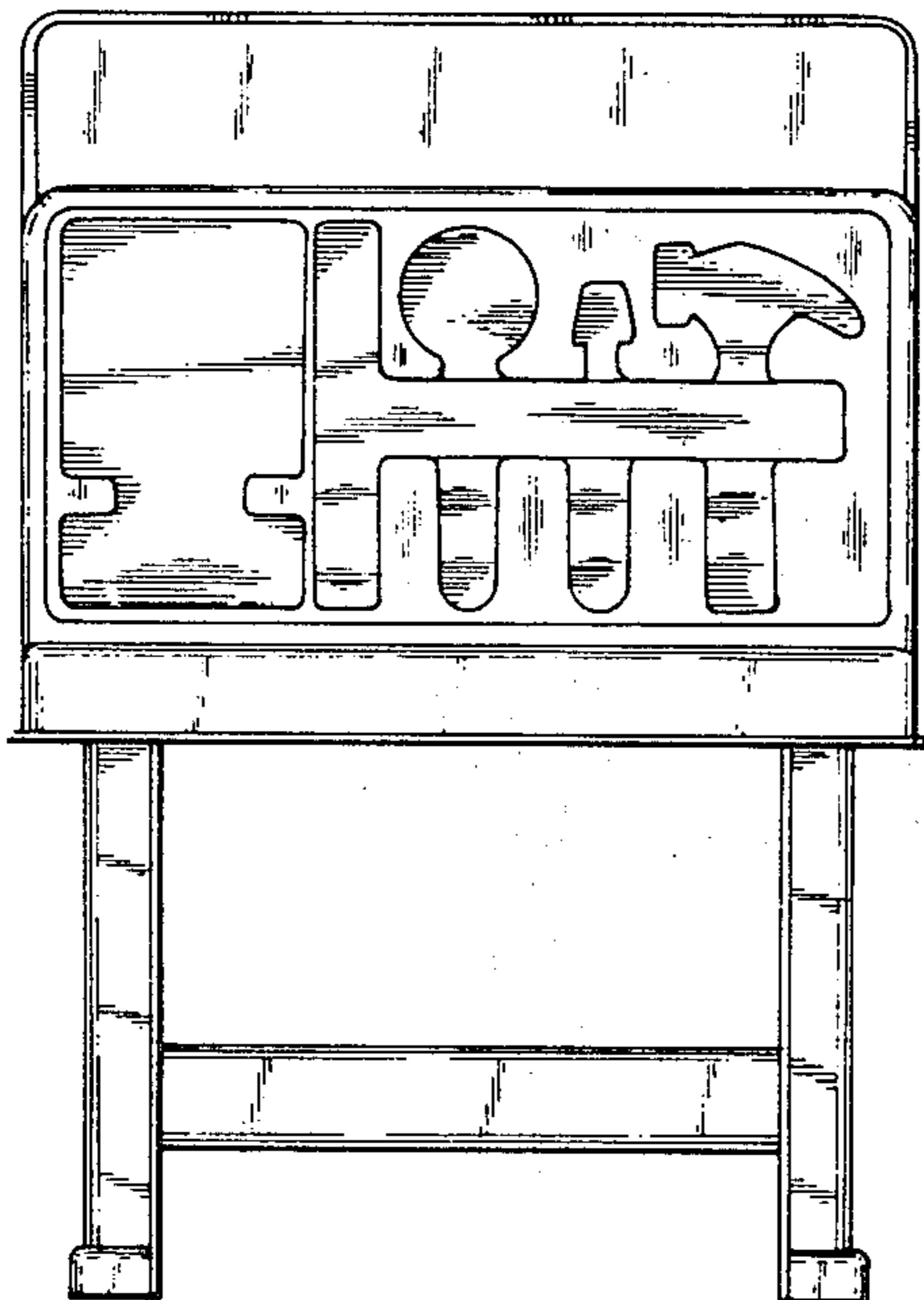


FIG. 3

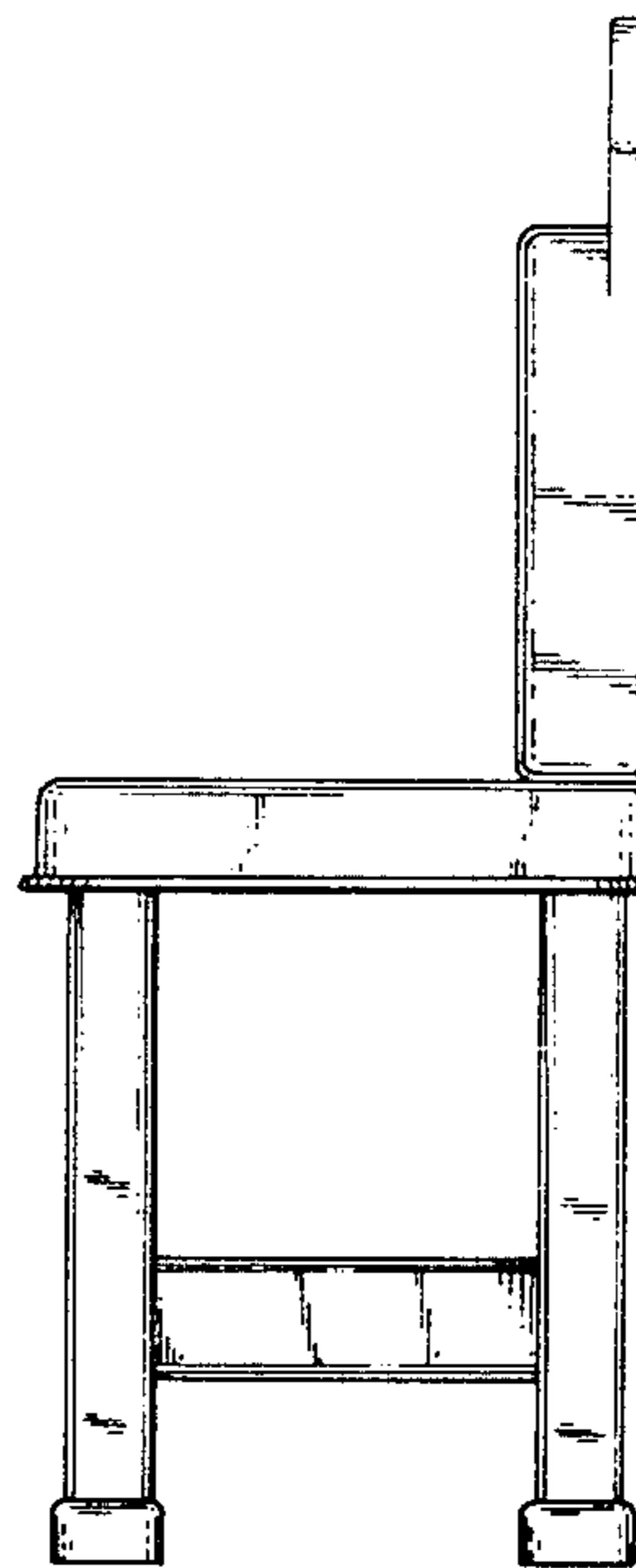


FIG. 4

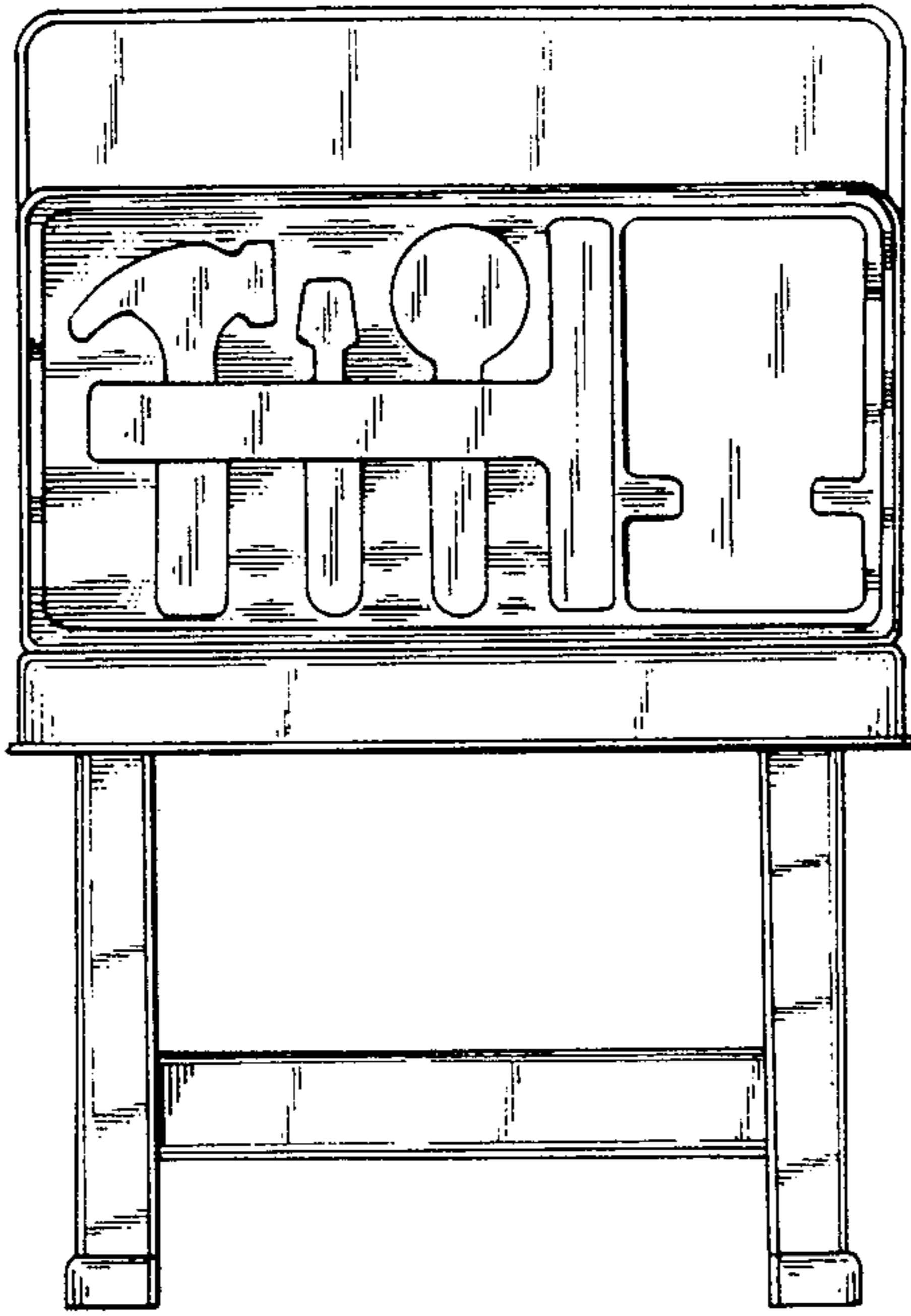


FIG. 5

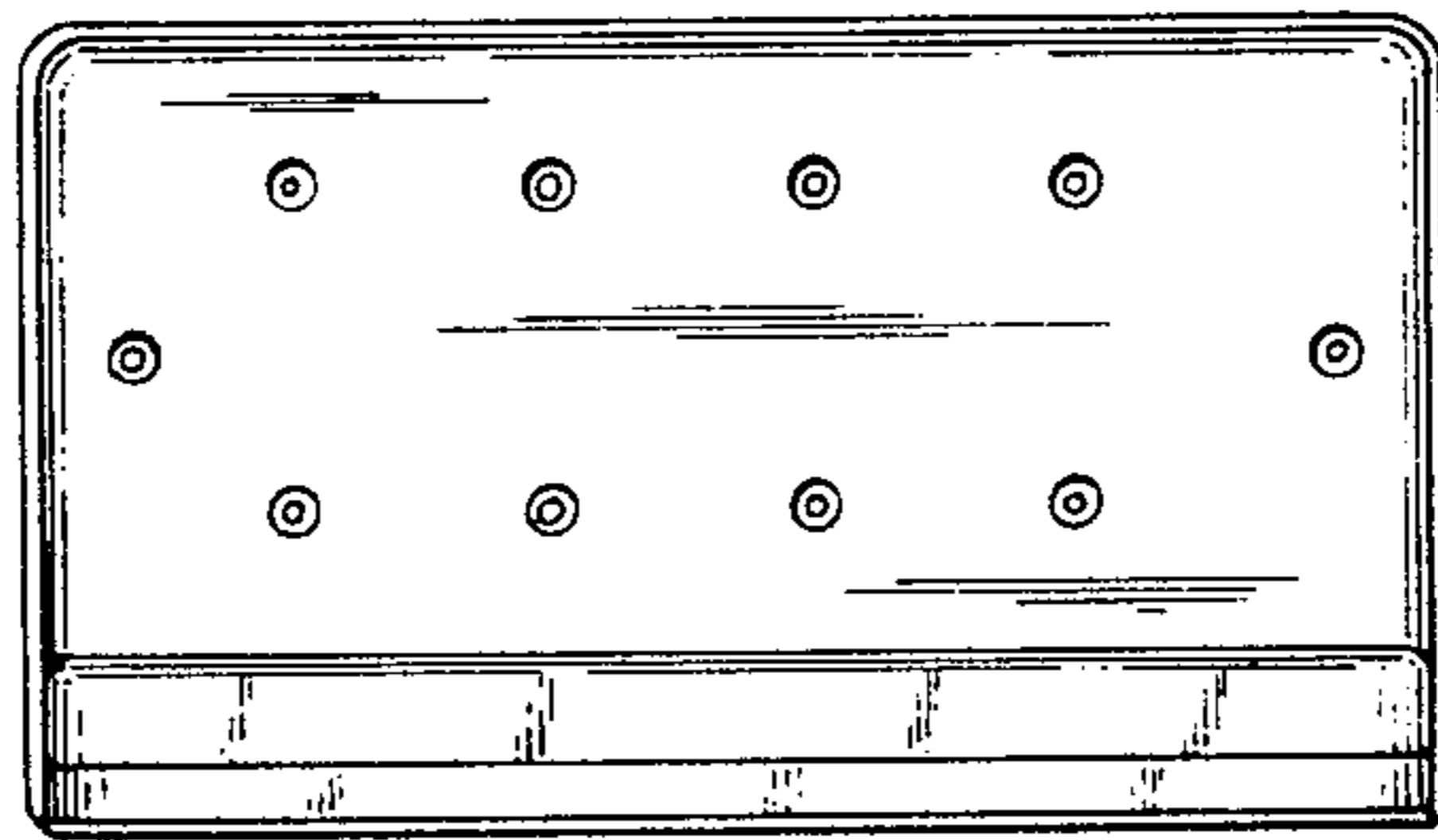


FIG. 6

