

[54] SET OF STACKABLE CHESS PIECES

[76] Inventor: Arthur Elliott, Via Panama 12, 00189 Rome, Italy

[\*\*] Term: 14 Years

[21] Appl. No.: 399,651

[22] Filed: Jul. 19, 1982

[52] U.S. Cl. .... D21/52

[58] Field of Search ..... D21/52; 273/290, 260, 273/288

[56] References Cited  
U.S. PATENT DOCUMENTS

D. 211,590 7/1968 Watson ..... D21/52

OTHER PUBLICATIONS

Industrial Design, Apr. 1970, p. 10, upper right, Chess Set.

Home Furnishings Daily, 5/6/68, front page, Chess Set.

Primary Examiner—Melvin B. Feifer

Attorney, Agent, or Firm—Beveridge, DeGrandi & Kline

[57] CLAIM

The ornamental design for a set of stackable chess pieces, as shown and described.

DESCRIPTION

FIG. 1 is a front perspective of a set of stackable chess pieces showing my new design; FIG. 2 is a rear perspective thereof; FIG. 3 is a view of the chess pieces in a stacked horizontal arrangement; and FIG. 4 is a view of the chess pieces in a stacked vertical arrangement.

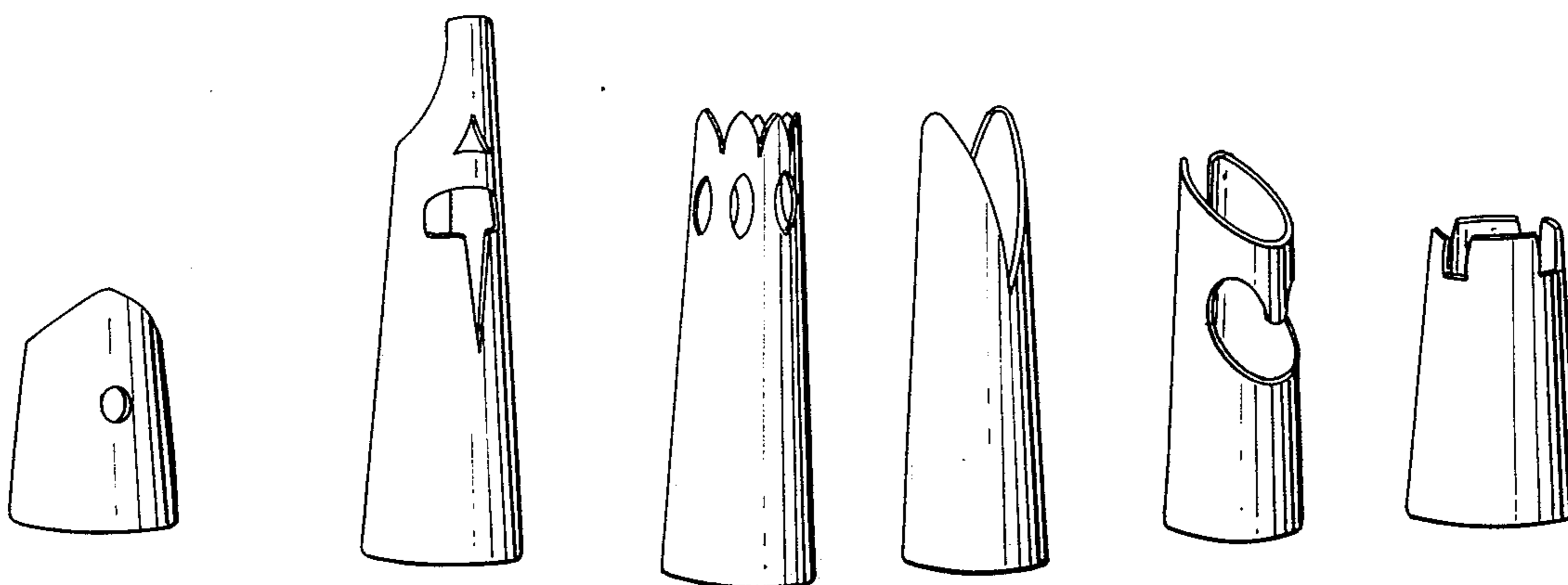


FIG 1

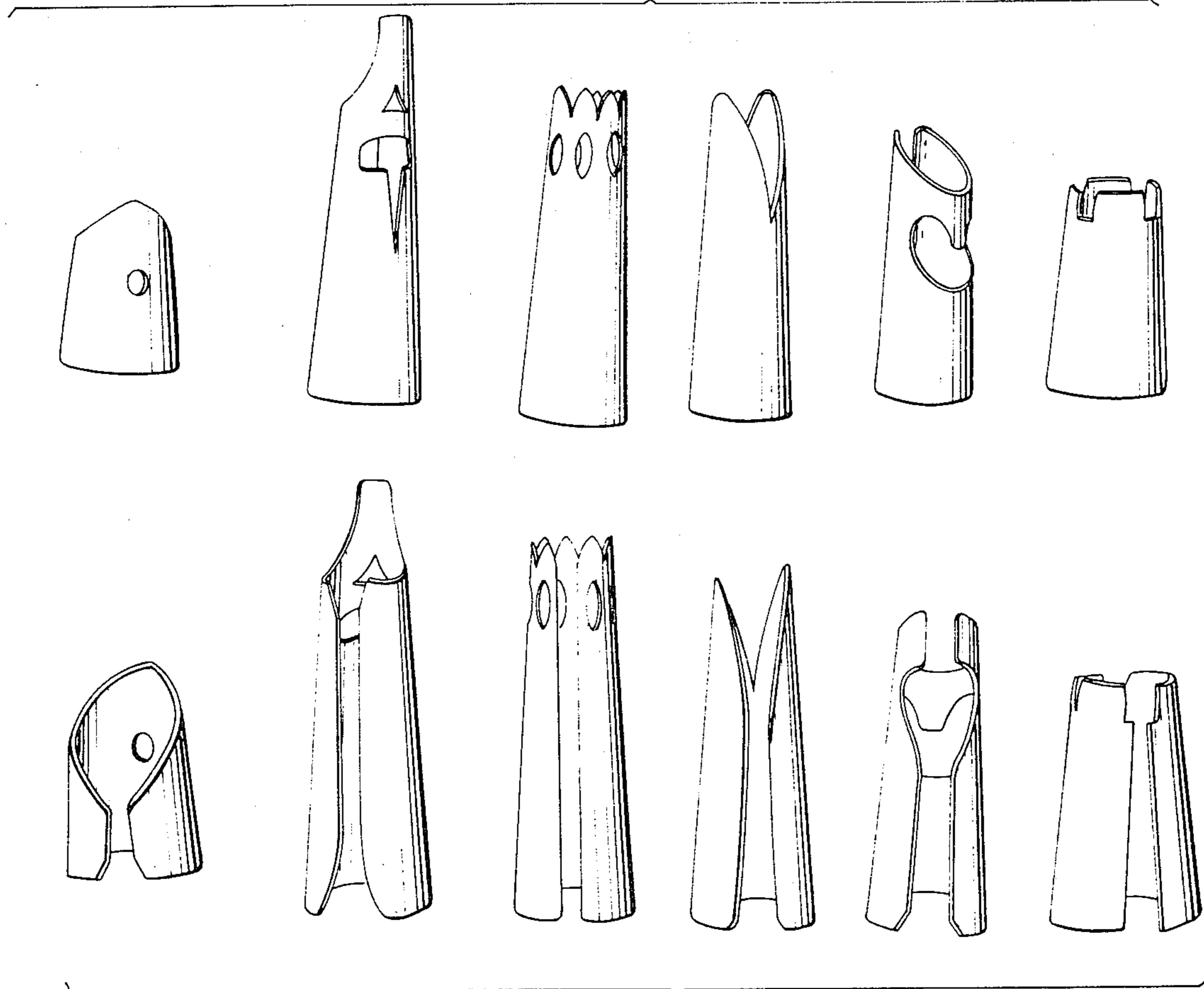


FIG 2

FIG 3

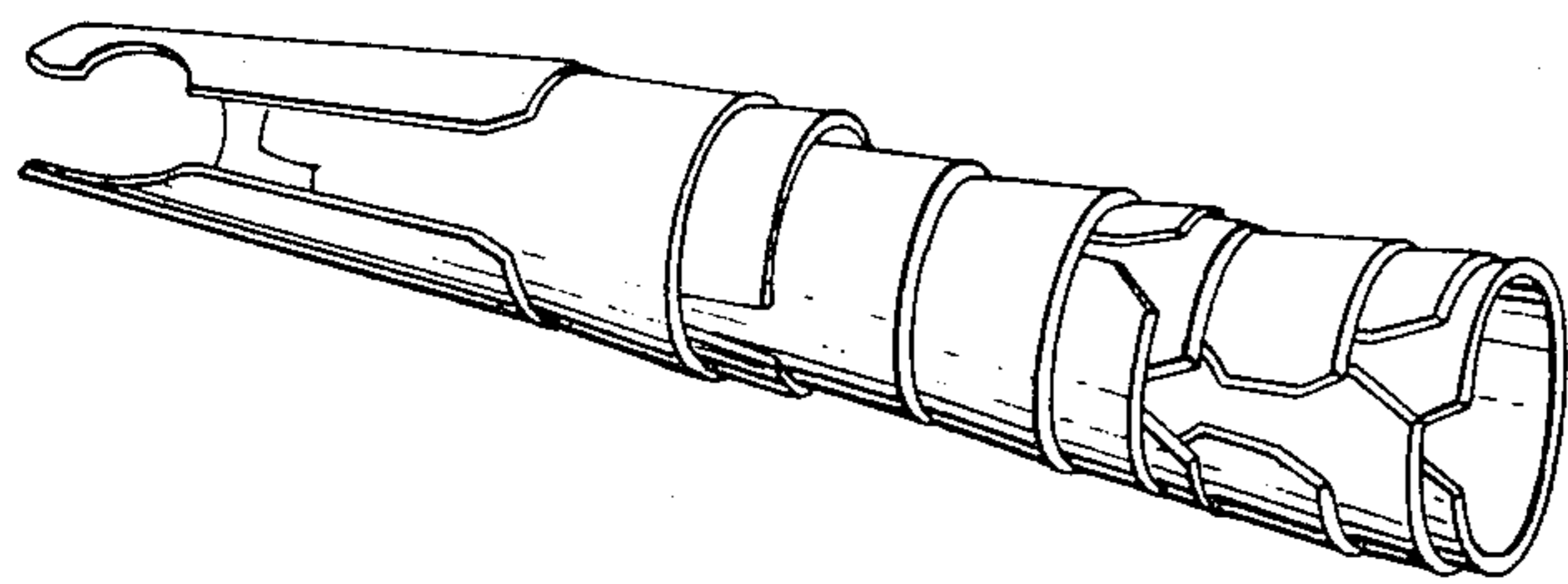


FIG 4

