

[54] GAME BOARD

[76] Inventor: Frank Vieira, 1431 Alta Vista, Hollister, Calif. 95023

[\*\*] Term: 14 Years

[21] Appl. No.: 254,331

[22] Filed: Apr. 14, 1981

[52] U.S. Cl. .... D21/18

[58] Field of Search ..... D21/14-36; D21/7-10; 273/119 R, 118, 126 R, 108, 85 R

[56] References Cited

U.S. PATENT DOCUMENTS

- D. 213,706 4/1969 Kraemer ..... D21/18
- 4,274,635 6/1981 Pakogian ..... 273/85 R

FOREIGN PATENT DOCUMENTS

2333073 1/1975 Fed. Rep. of Germany .... 273/85 R

Primary Examiner—Melvin B. Feifer  
Attorney, Agent, or Firm—Townsend & Townsend

[57] CLAIM

The ornamental design for a game board, as shown and described.

DESCRIPTION

FIG. 1 is a perspective view of the game board showing my new design;  
 FIG. 2 is a side elevational view thereof;  
 FIG. 3 is an end elevational view of one end thereof;  
 FIG. 4 is a top plan view thereof; and  
 FIG. 5 is a bottom plan view forming my invention.

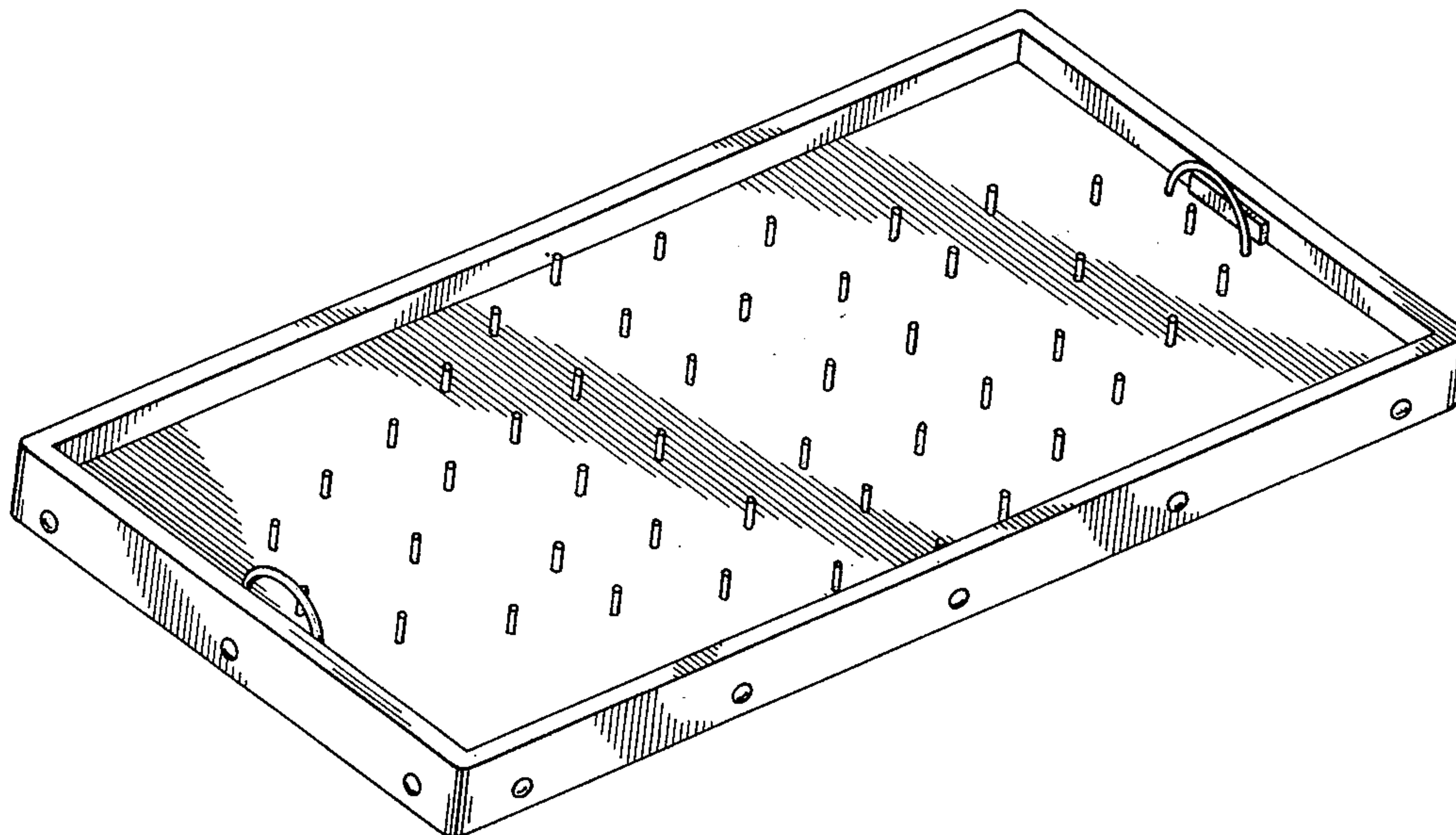


FIG. 1

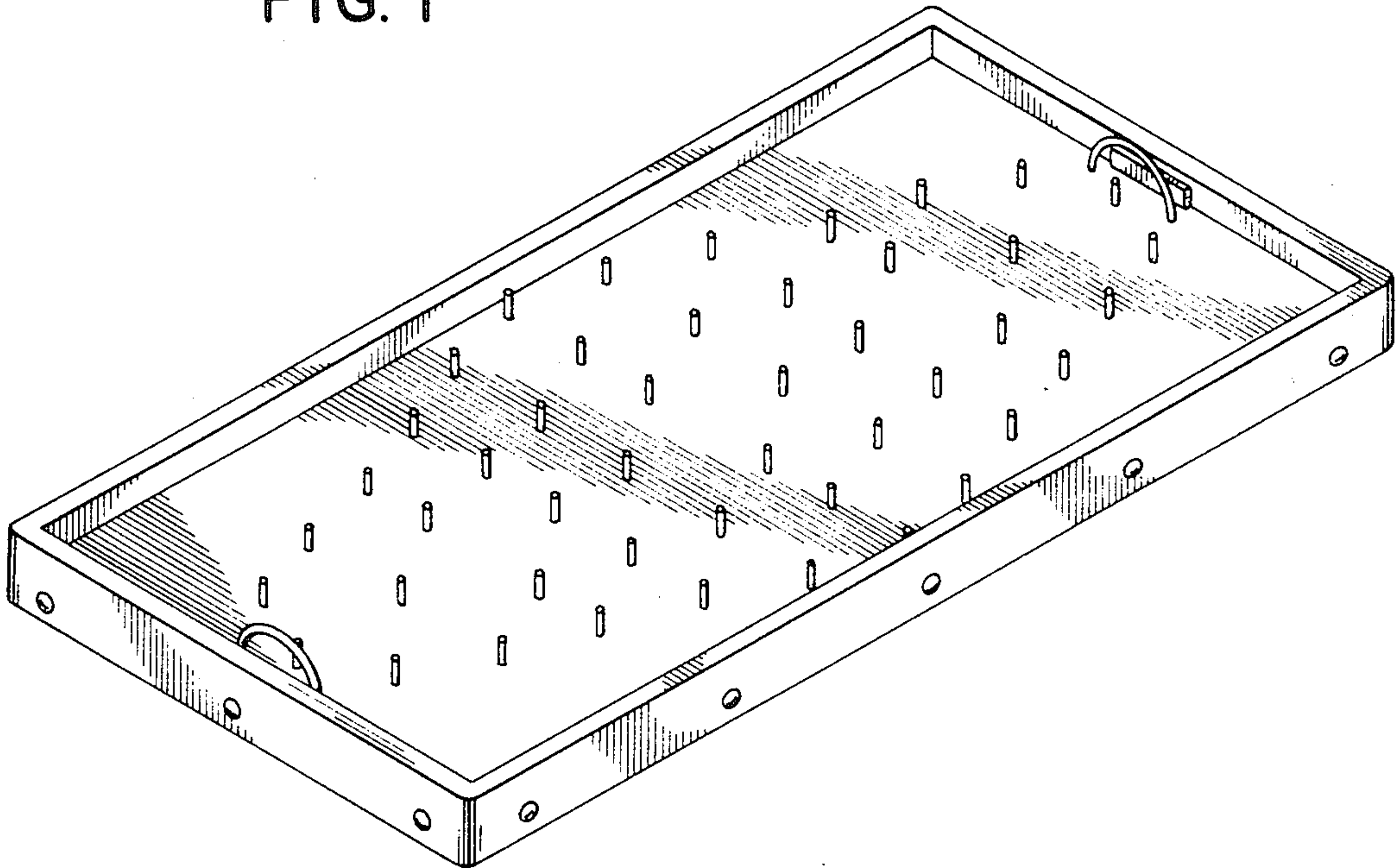


FIG. 2



FIG. 3

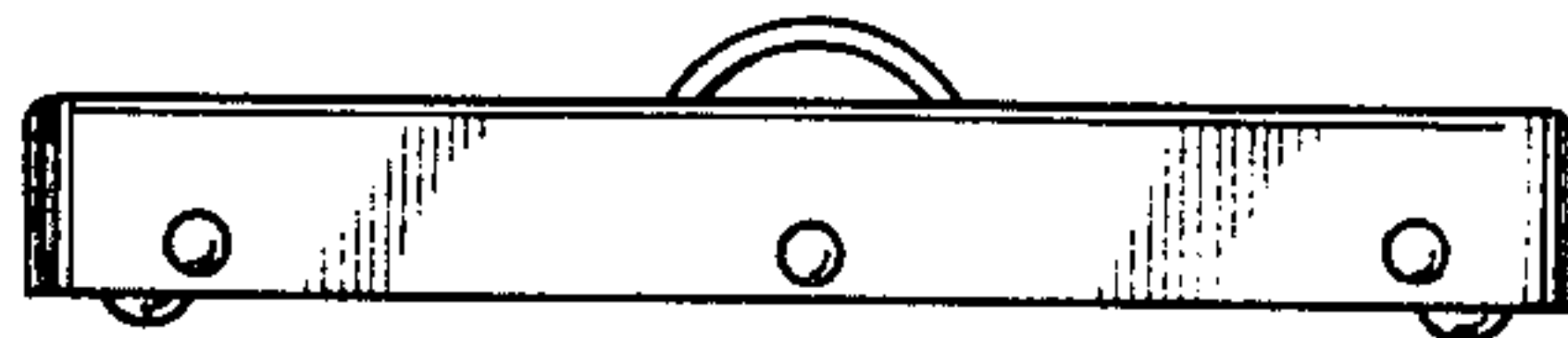


FIG. 4

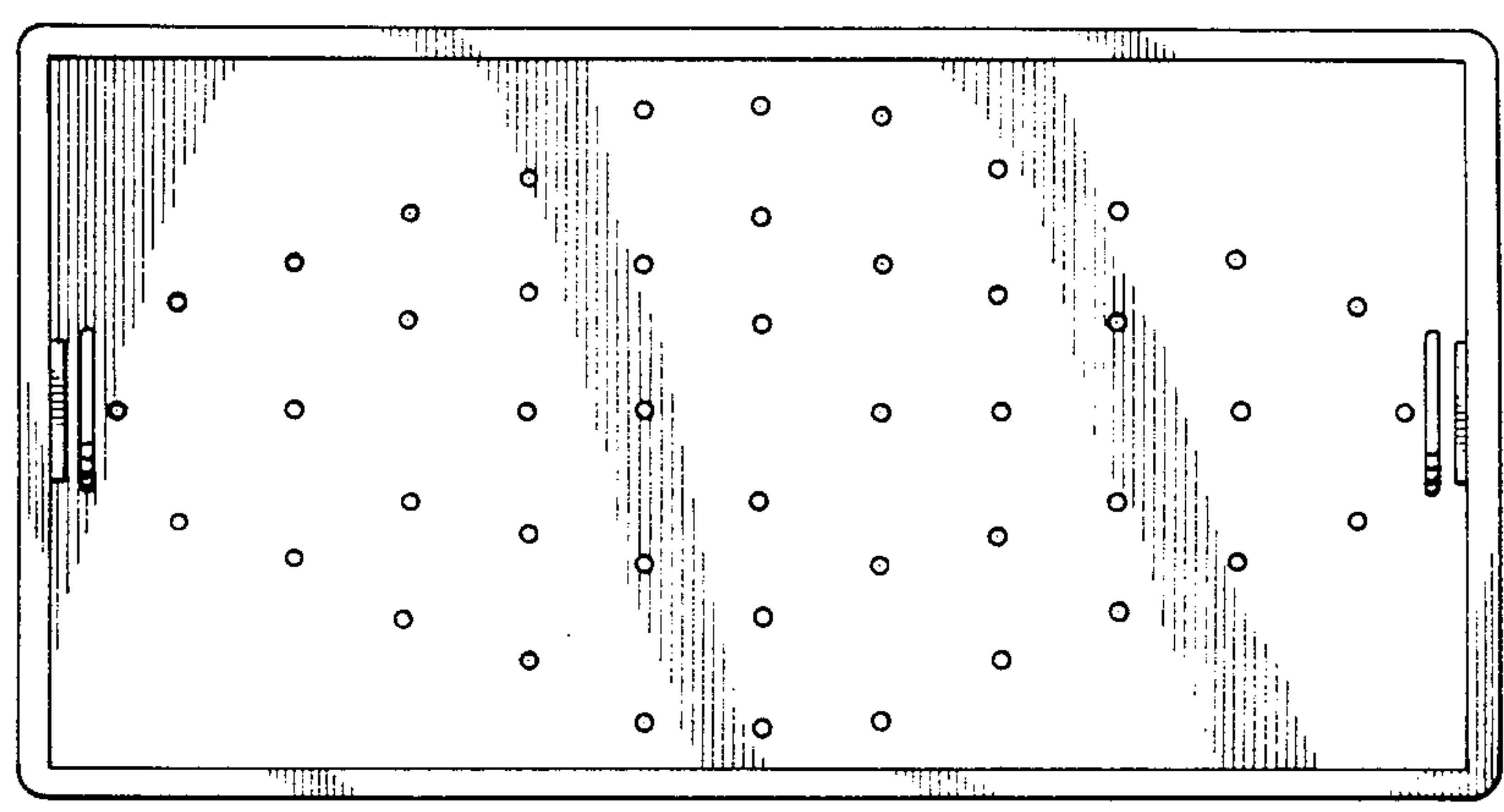


FIG. 5

