

[54] DESK ACCESSORY

[76] Inventor: Charles T. Wasson, 1123 Dallas Ave., Natrona Heights, Pa. 15065

[**] Term: 14 Years

[21] Appl. No.: 272,929

[22] Filed: Jun. 12, 1981

[52] U.S. Cl. D19/75; D19/79

[58] Field of Search D19/75, 77-85, D19/20-24, 95-97; 428/15; D27/22

[56] References Cited

U.S. PATENT DOCUMENTS

- D. 202,239 9/1965 Mackrell D19/75
- D. 224,455 7/1972 Oberton D19/85
- D. 254,859 4/1980 Grunstad D19/75
- D. 267,485 1/1983 Robinson D11/157

OTHER PUBLICATIONS

Parker Pen Desk Sets Cat. #9359, 1/59, p. 14, Item No. 50-403.

Primary Examiner—George P. Word
Attorney, Agent, or Firm—James Irwin

[57] CLAIM

The ornamental design for a desk accessory, substantially as shown and described.

DESCRIPTION

FIG. 1 is a perspective view of a desk accessory or similar article showing my new design.

FIG. 2 is a cross-sectional view thereof taken in a plane generally perpendicular to the top surface and passing through the central portion of the recess.

FIG. 3 is a top plan view thereof.

FIG. 4 is a front elevational view thereof.

FIG. 5 is a right side elevational view thereof.

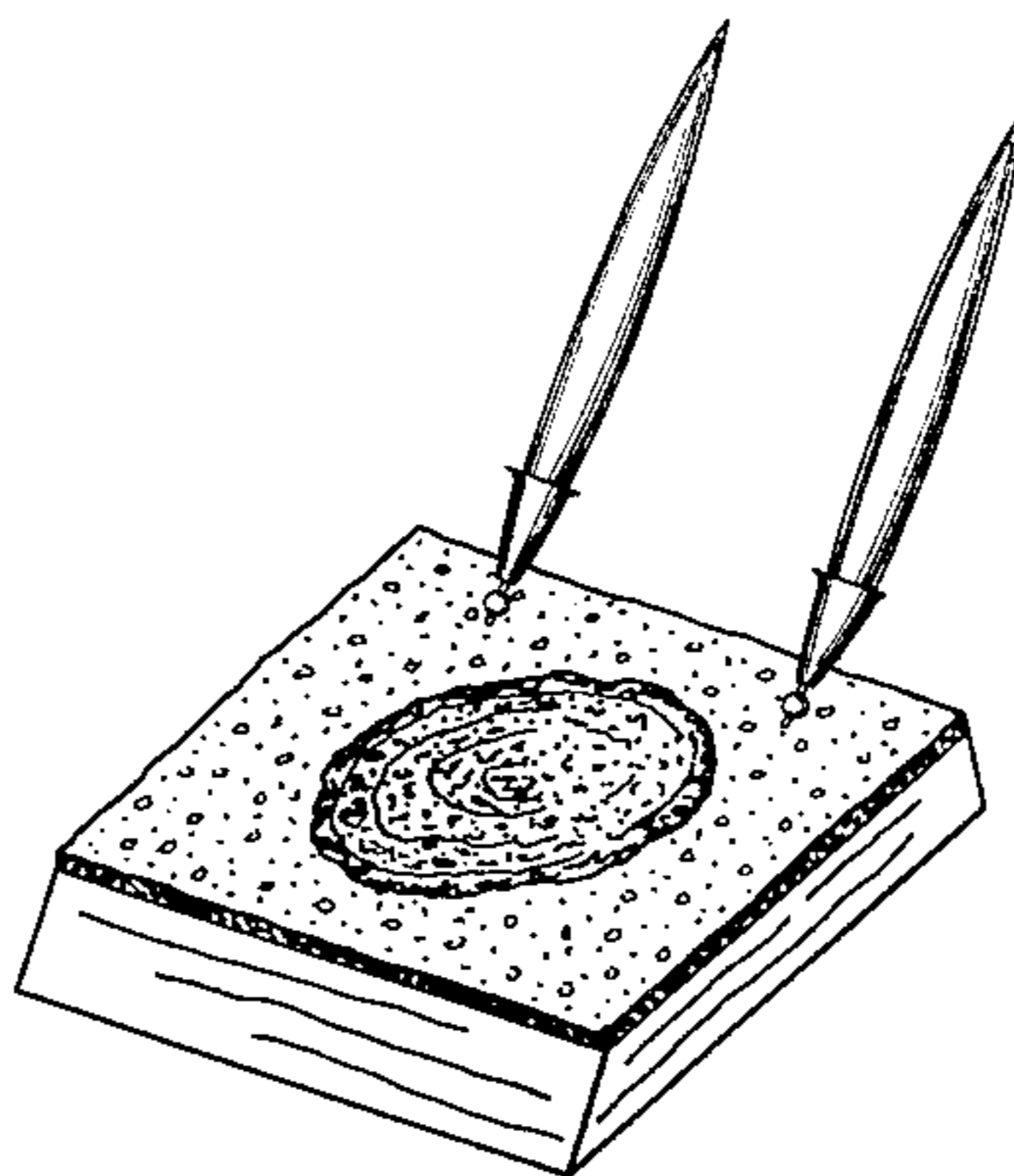


FIG. 1.

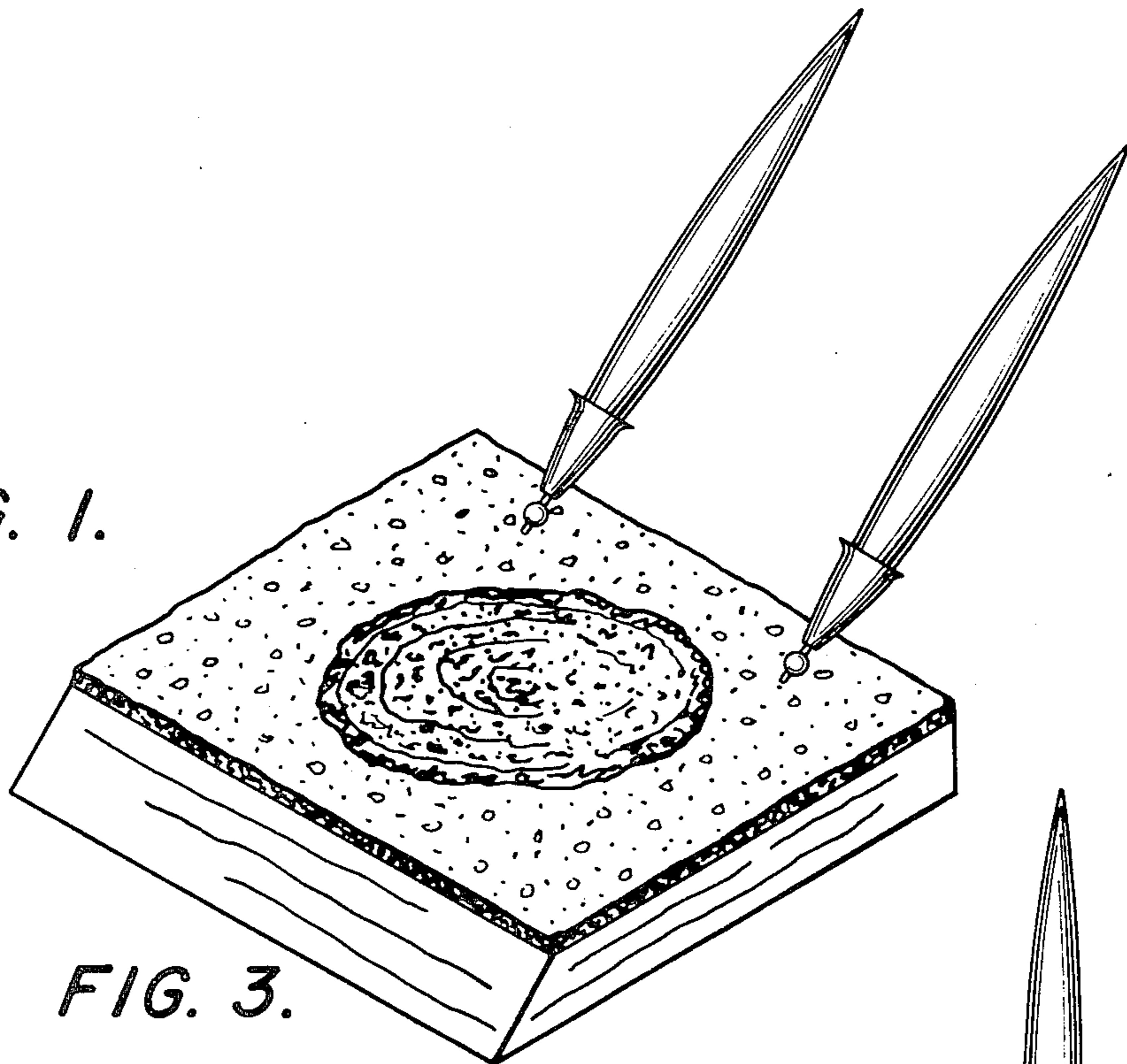


FIG. 3.

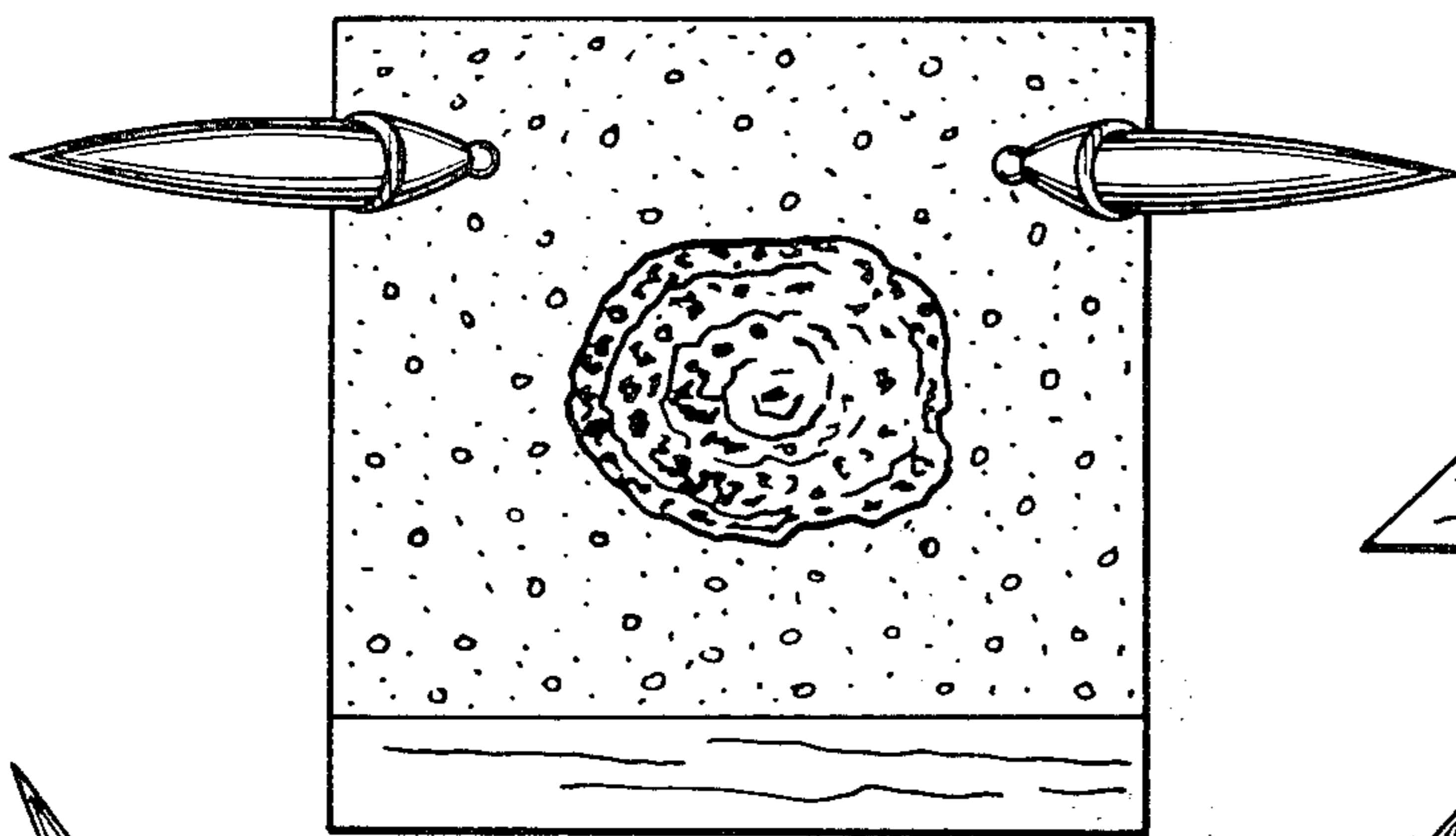


FIG. 2.

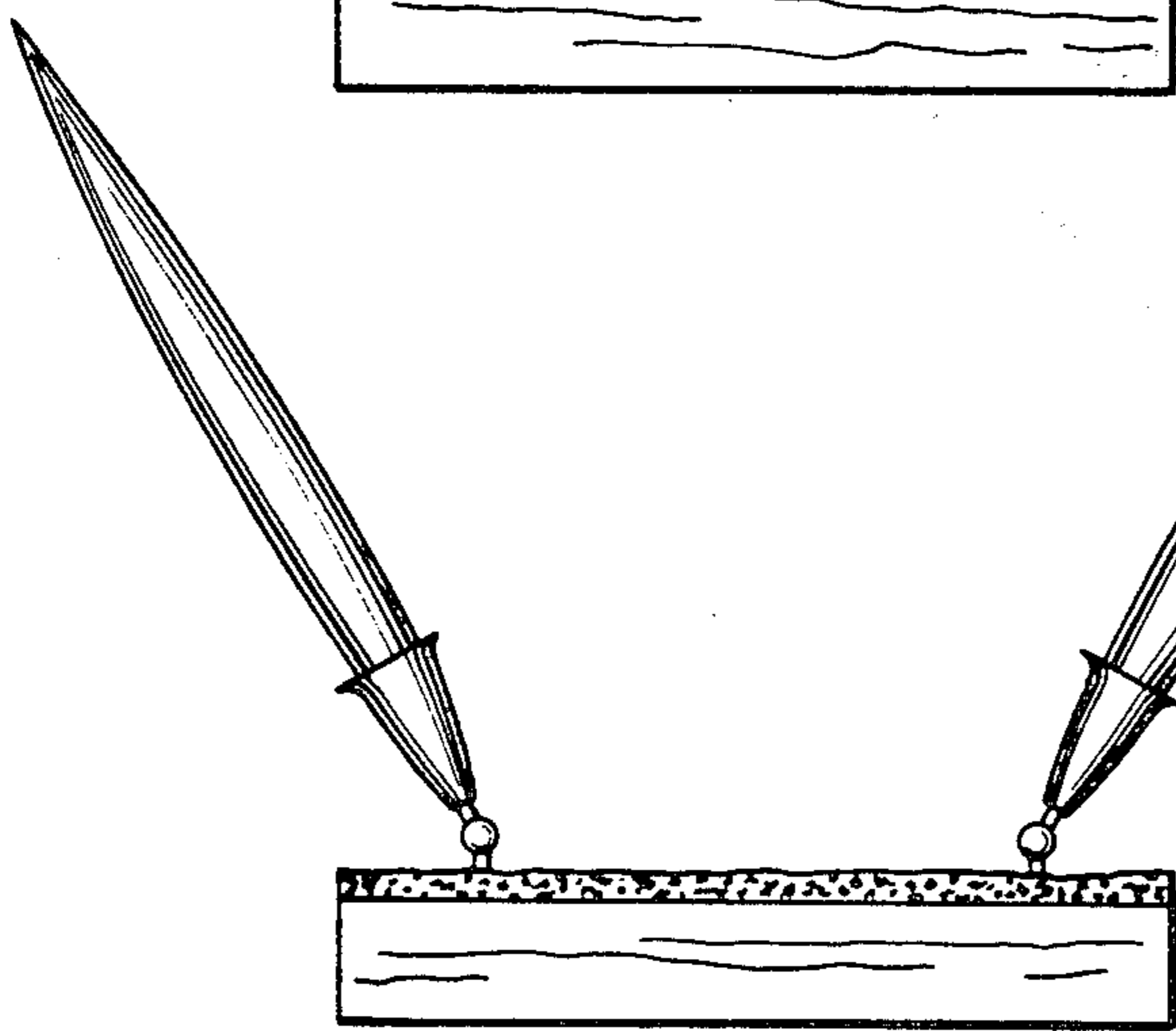
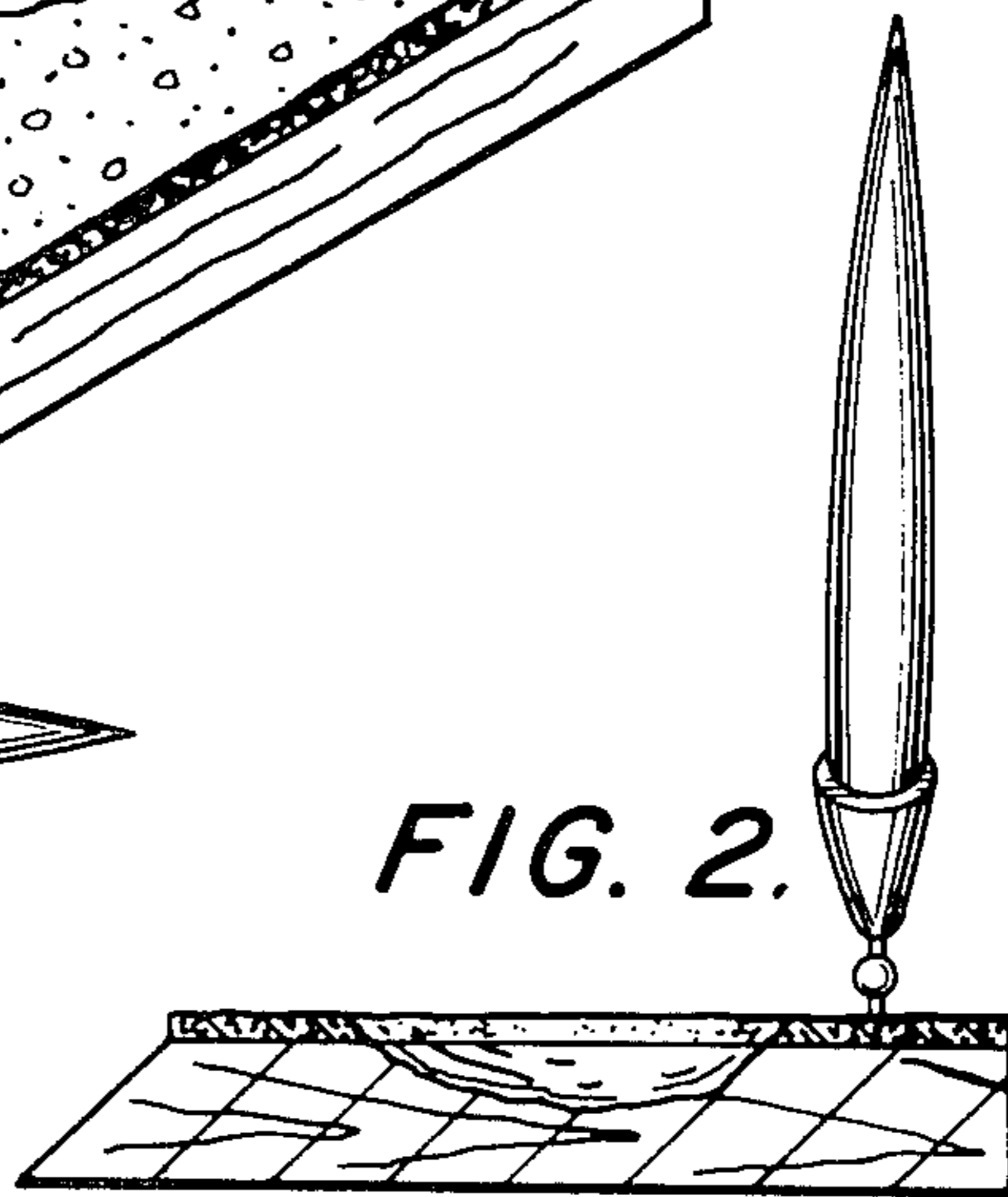


FIG. 4.

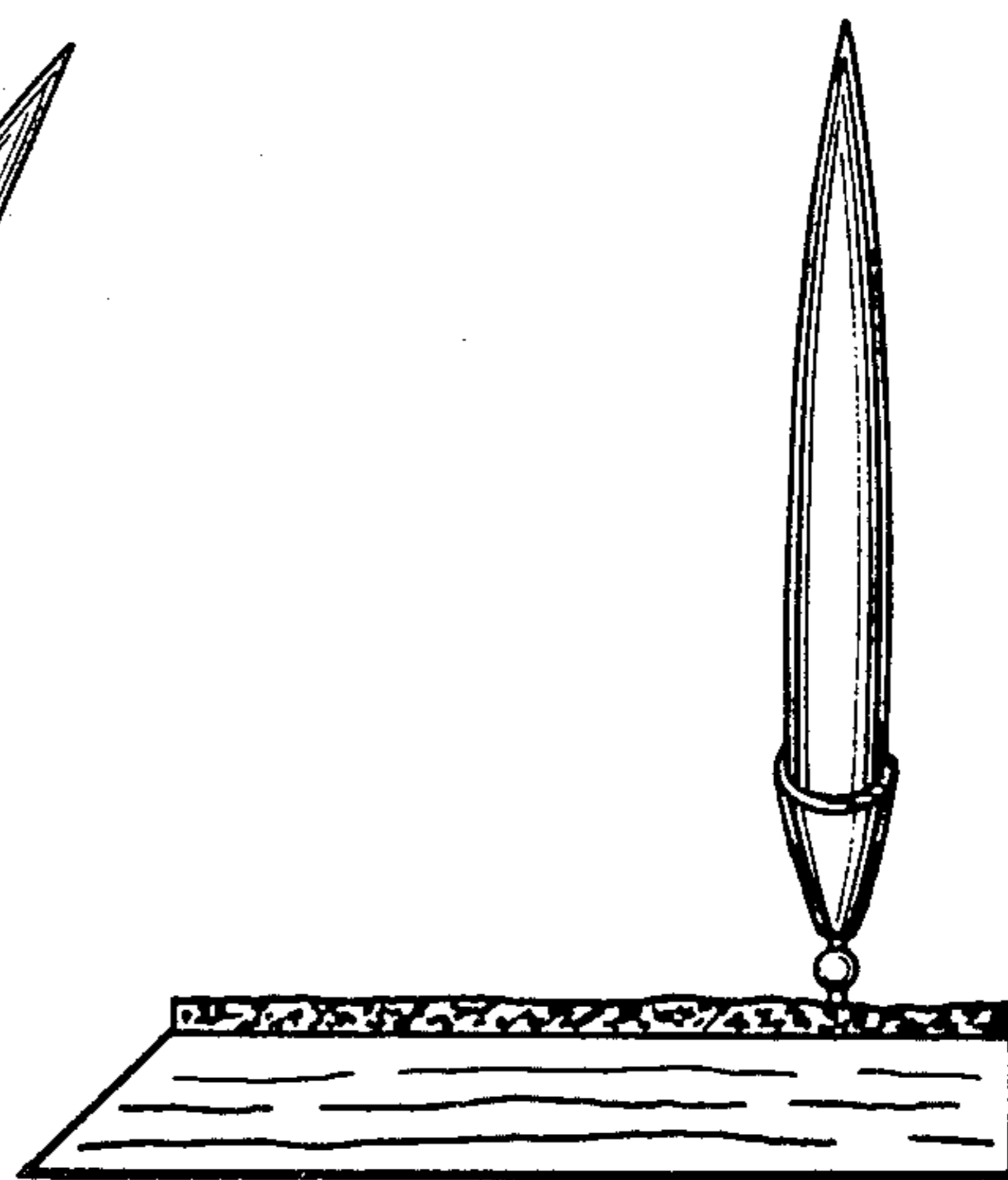


FIG. 5.