

[54] **TEAR BAR FOR A PRINTER**

[76] **Inventor: George L. Guthrie, 2938 E. 62nd St., Indianapolis, Ind. 46220**

[**] **Term: 14 Years**

[21] **Appl. No.: 376,376**

[22] **Filed: May 10, 1982**

[52] **U.S. Cl. D18/22; D14/111; D18/12**

[58] **Field of Search D14/111, 114; D18/13, D18/22, 12; 400/621, 690.1**

[56] **References Cited**

U.S. PATENT DOCUMENTS

2,563,149	8/1951	Anderson	400/621	X
2,616,365	11/1952	Hicks et al.	400/621	X
3,212,617	10/1965	Sugiyama	400/621	
4,422,787	12/1983	Guthrie	400/621	

Primary Examiner—Susan J. Lucas
Attorney, Agent, or Firm—Barnes & Thornburg

[57] **CLAIM**

The ornamental design for a tear bar for a printer, substantially as shown and described.

DESCRIPTION

FIG. 1 is a perspective view of the design showing portions of the front, top and one side view of the tear bar for a printer showing my new design with a portion of a printer hood or top illustrated in broken lines to make more clear the nature and intended application of the claimed design, it being clear that the structure illustrated in broken lines does not form a part of my design;

FIG. 2 is a front elevational view of the tear bar on an enlarged scale;

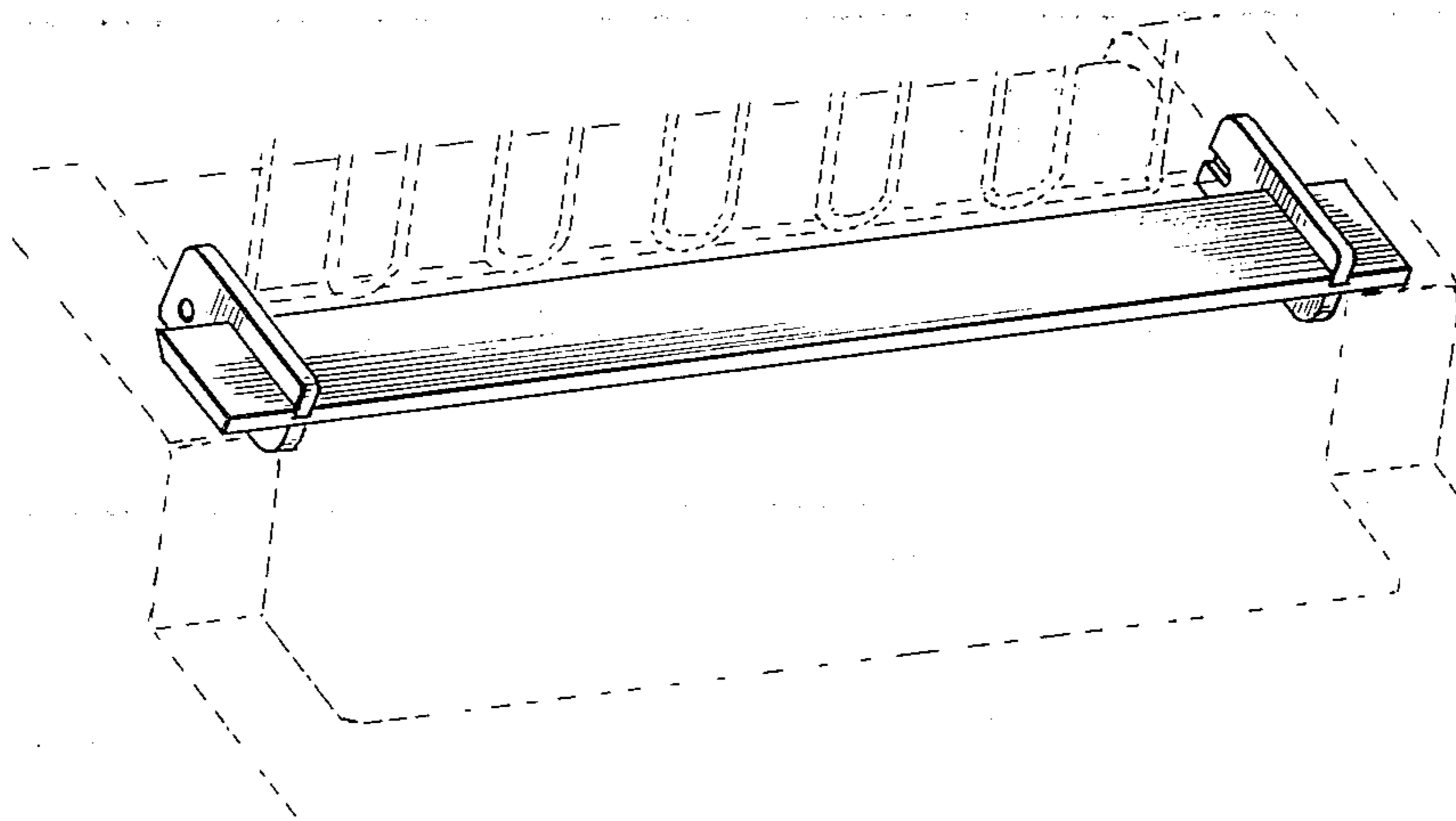
FIG. 3 is a left side elevational view of the tear bar illustrated in FIG. 2;

FIG. 4 is a right side elevational view of the tear bar illustrated in FIG. 2;

FIG. 5 is a top plan view of the tear bar illustrated in FIG. 2;

FIG. 6 is a rear elevational view of the tear bar illustrated in FIG. 2; and

FIG. 7 is a bottom plan view of the tear bar illustrated in FIG. 2.



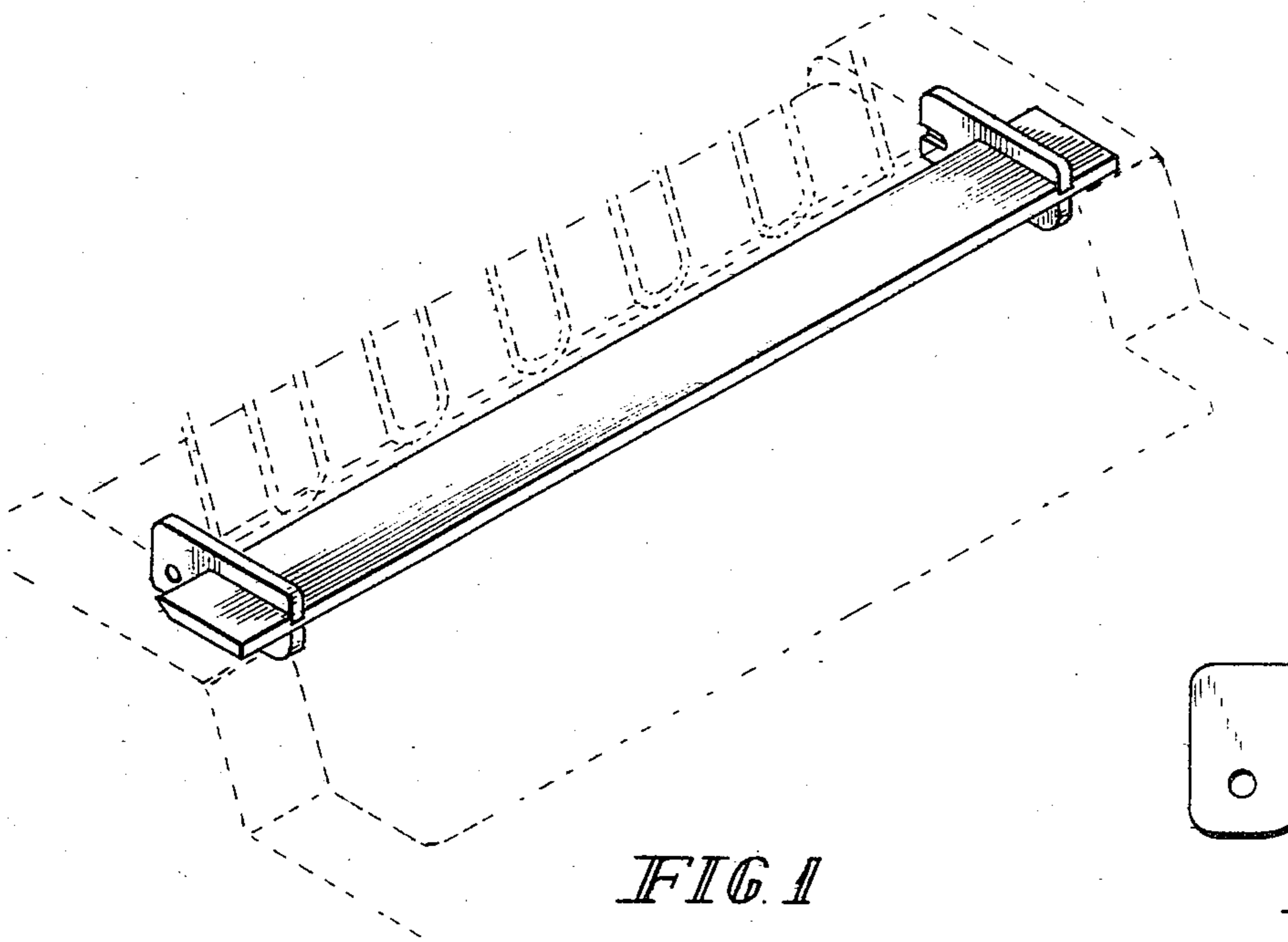


FIG. 1

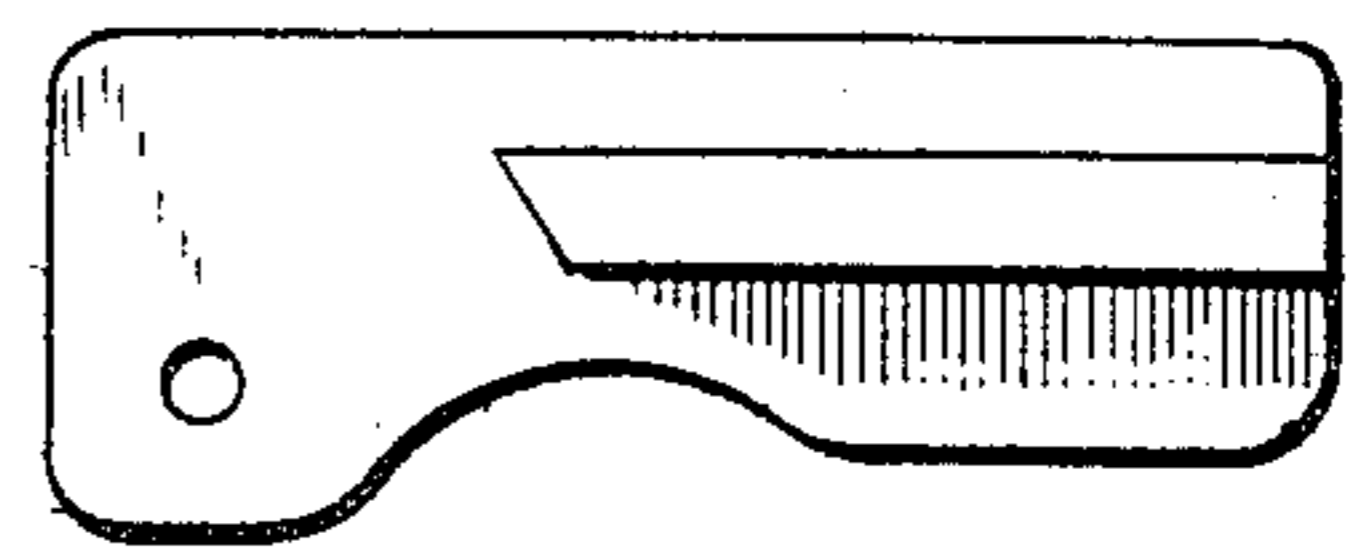


FIG. 3

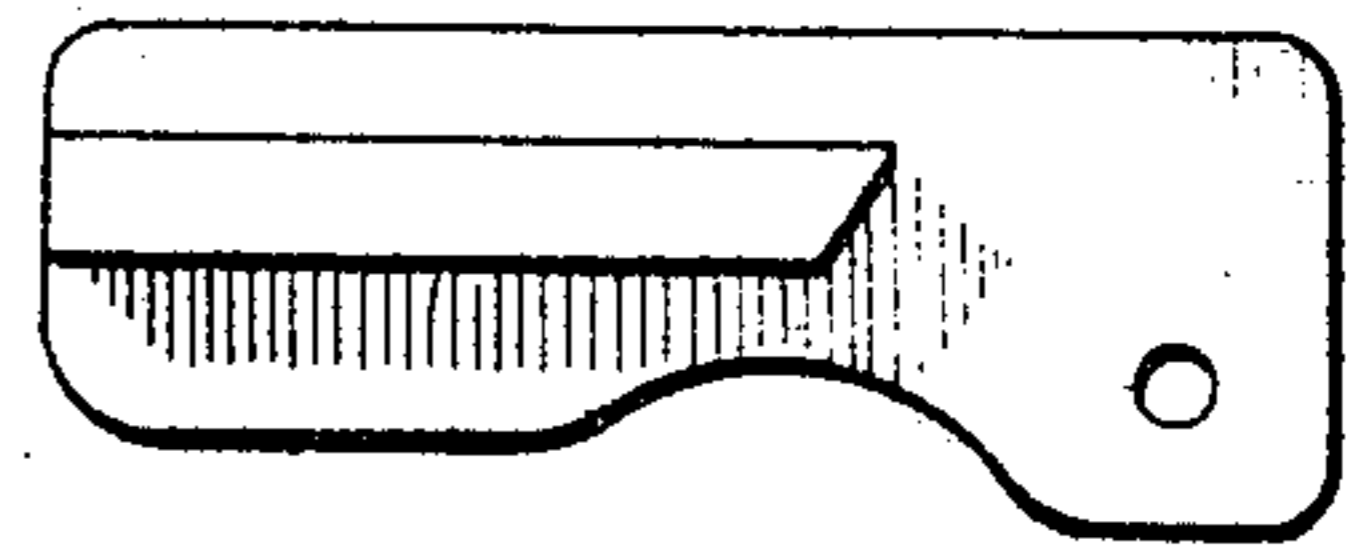


FIG. 4

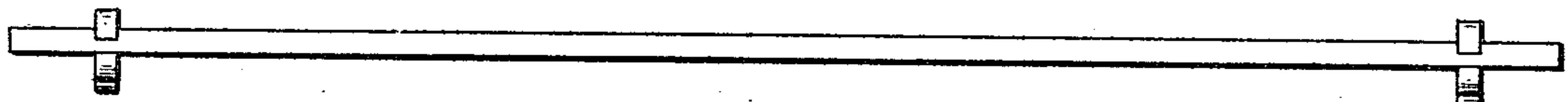


FIG. 2

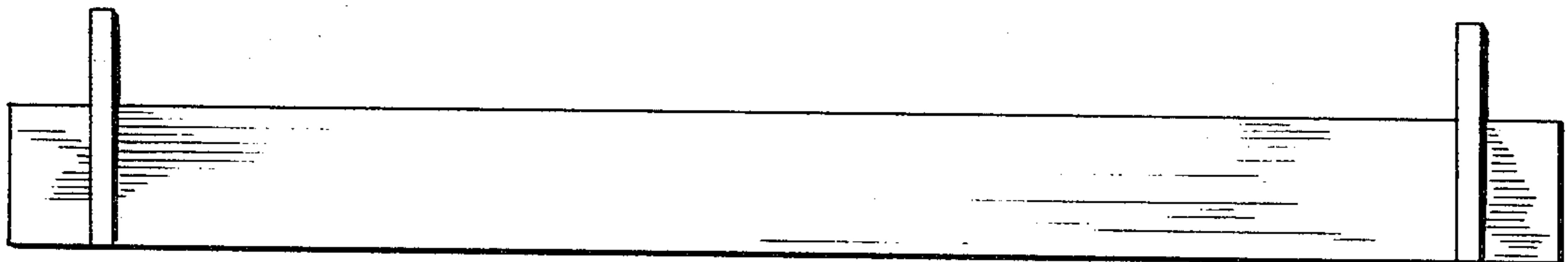


FIG. 5

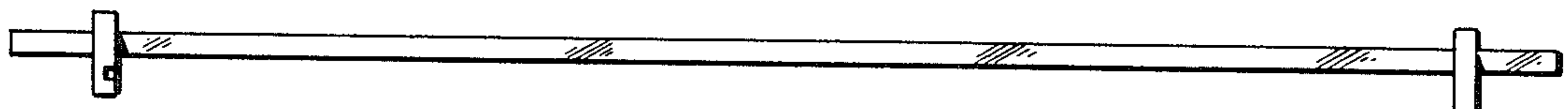


FIG. 6

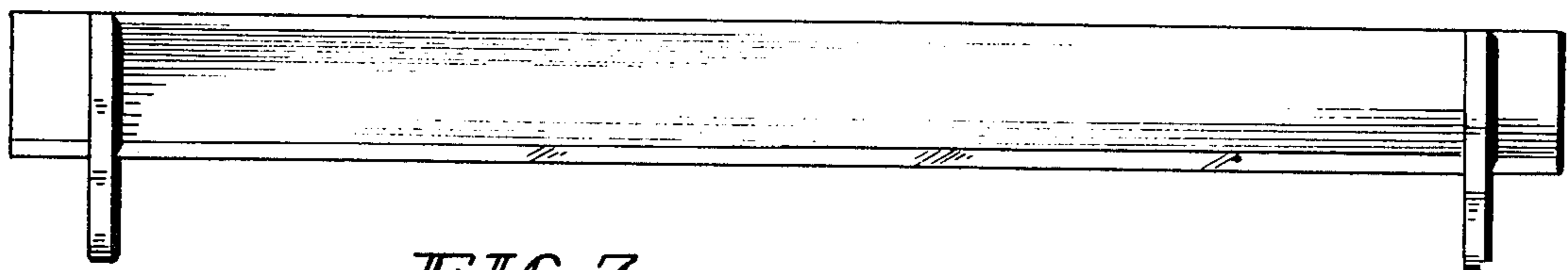


FIG. 7