

[54] **COMBINED COPYING AND SORTING APPARATUS**

4,134,581 1/1979 Johnson et al. .... 271/288

[76] **Inventor: Frederick J. Lawrence, 13372 Cindy La., Tustin, Calif. 92680**

[\*\*] **Term: 14 Years**

[21] **Appl. No.: 98,537**

[22] **Filed: Nov. 29, 1979**

[52] **U.S. Cl. .... D16/31**

[58] **Field of Search .... D16/27-32; D14/48; 355/3 R, 8, 9; 271/287-297**

[56] **References Cited**

**U.S. PATENT DOCUMENTS**

D. 254,975 5/1980 Gambrell et al. .... D16/32

**OTHER PUBLICATIONS**

Datapro Research Corporation Jan. 1978 3M Secretary III Model.

*Primary Examiner*—Peter M. Caun

[57] **CLAIM**

The ornamental design for a combined copying and sorting apparatus, substantially as shown and described.

**DESCRIPTION**

FIG. 1 is a perspective view of a combined copying and sorting apparatus showing my new design; FIG. 2 is an opposite view thereof; FIG. 3 is a top view thereof; FIG. 4 is a left end view thereof.

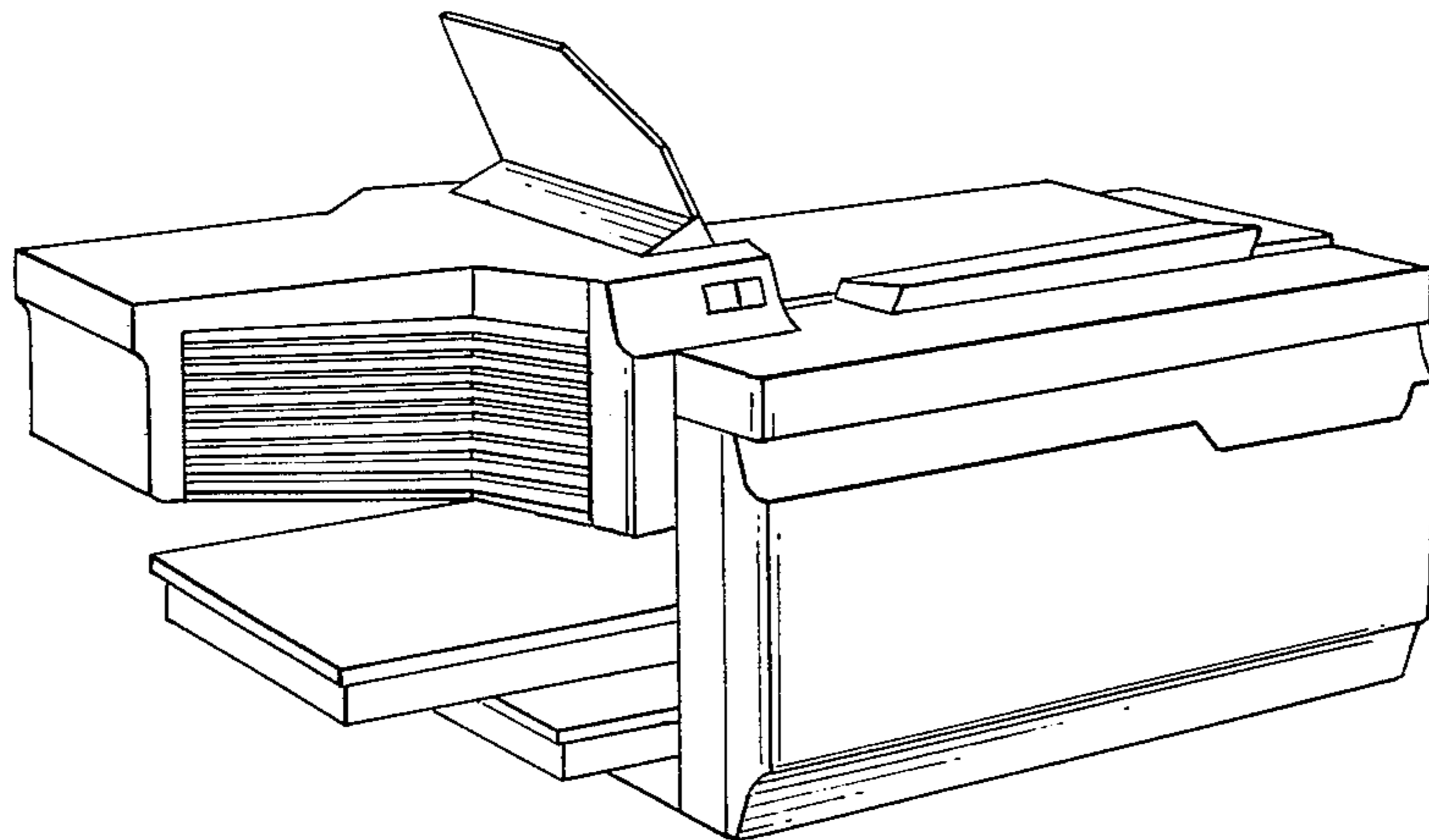


FIG. 1.

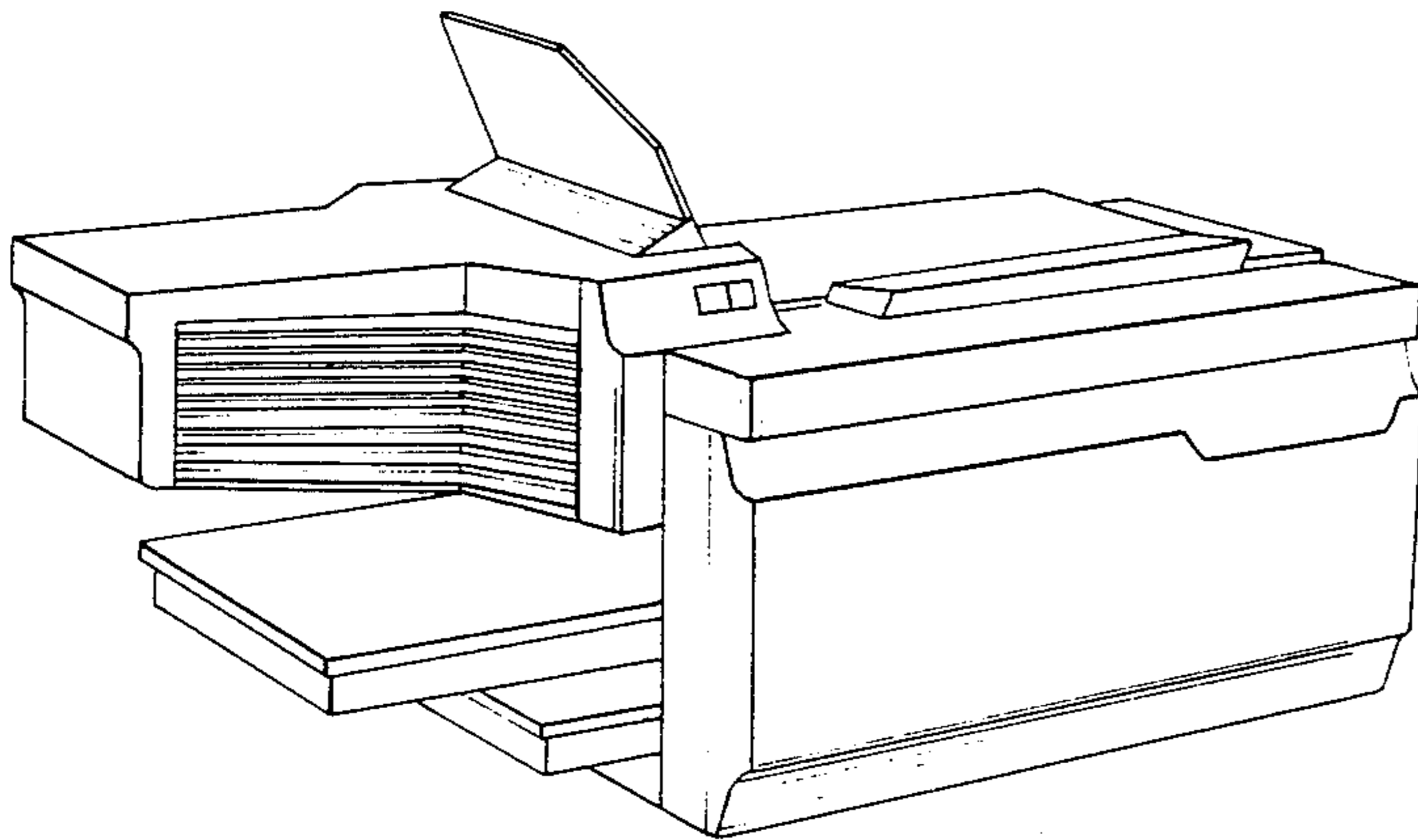


FIG. 2.

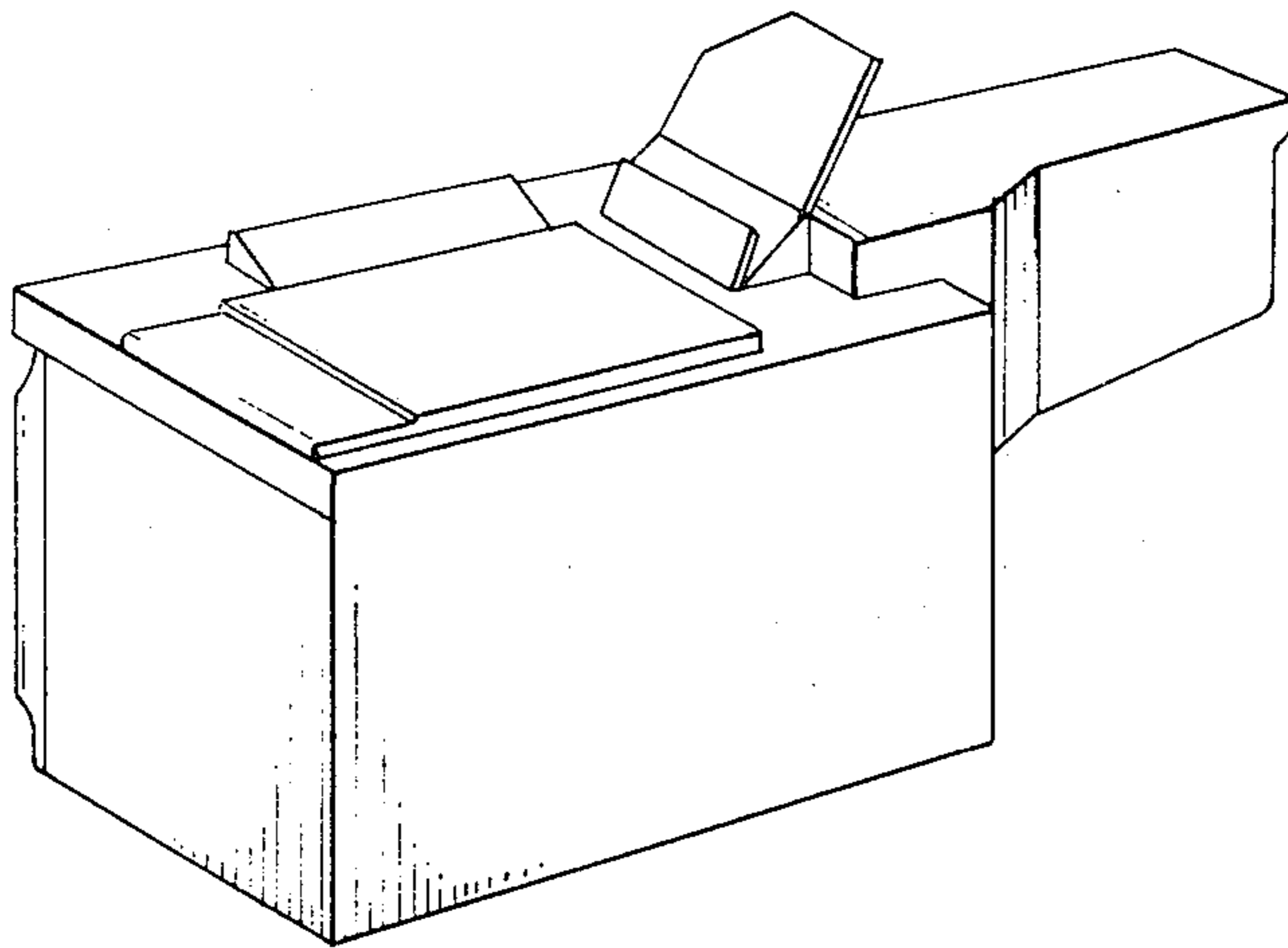


Fig. 3

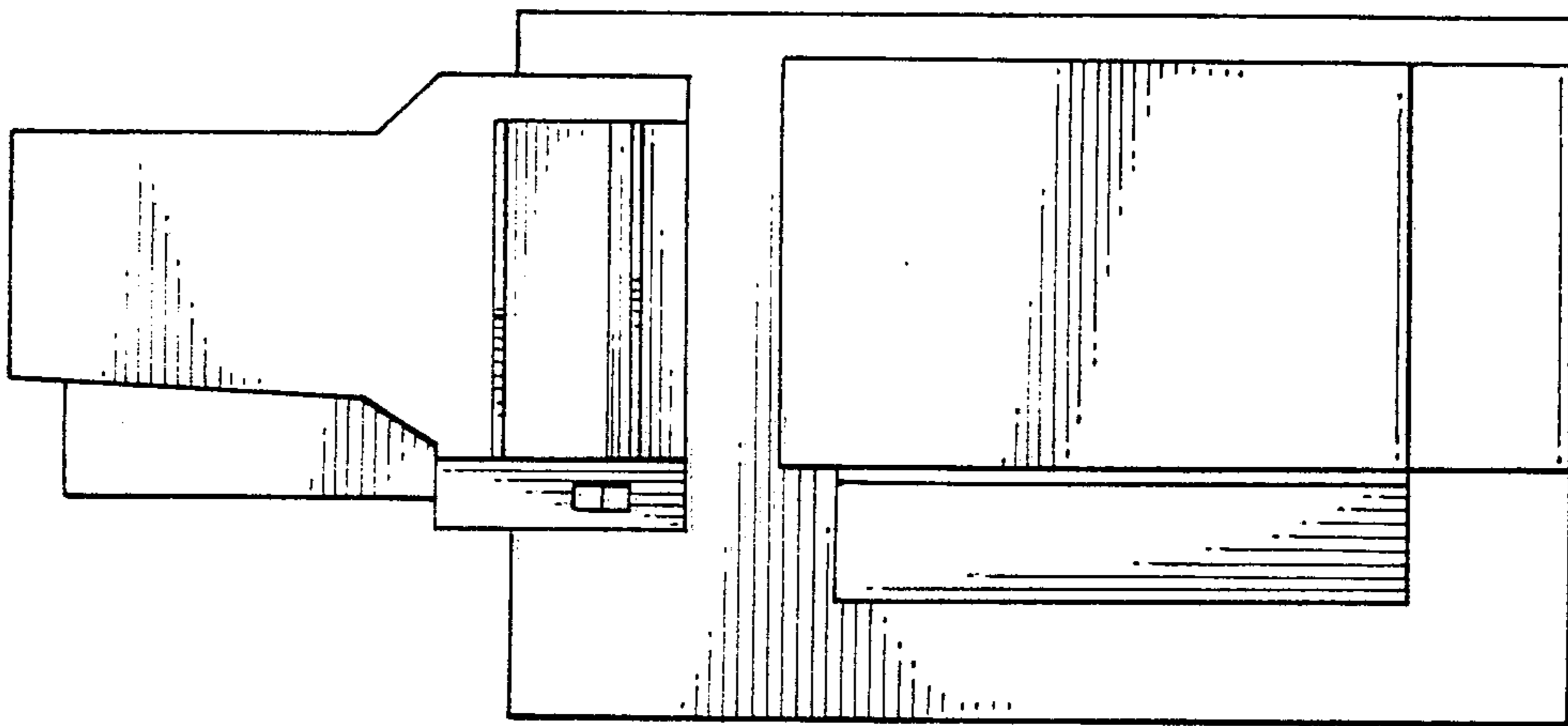


Fig. 4

