

- [54] CABLE LASHING MACHINE
- [75] Inventor: William H. Schweyher, Fort Worth, Tex.
- [73] Assignee: Communications Systems, Inc., Hector, Minn.
- [**] Term: 14 Years
- [21] Appl. No.: 432,119
- [22] Filed: Sep. 30, 1982
- [52] U.S. Cl. D15/199
- [58] Field of Search D15/122, 199; 254/134.3 CL

- 3,162,992 12/1964 Davis et al. 254/134.3 CL
- 3,556,483 1/1971 Manton 254/134.3 CL

Primary Examiner—B. J. Bullock
 Attorney, Agent, or Firm—Kinney & Lange

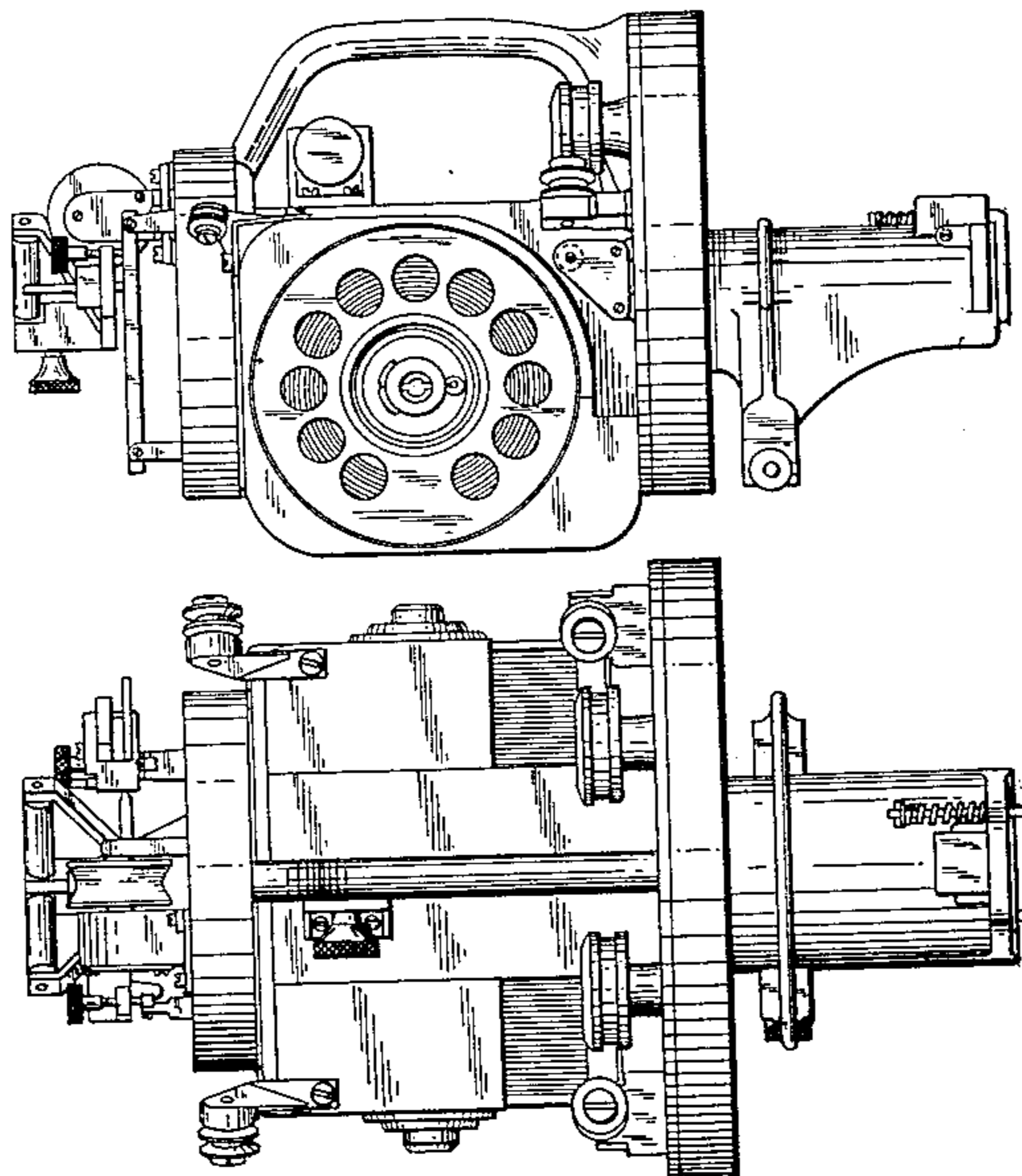
[57] CLAIM

The ornamental design for a cable lashing machine, substantially as shown.

DESCRIPTION

FIG. 1 is a side elevational view of a cable lashing machine embodying my new design;
 FIG. 2 is a side elevational view thereof viewed from the side opposite from FIG. 1;
 FIG. 3 is a top plan view thereof;
 FIG. 4 is a bottom plan view thereof;
 FIG. 5 is an end view thereof as seen from the left end thereof in FIG. 1; and
 FIG. 6 is an end view as seen from the right end thereof in FIG. 1.

- [56] References Cited
- U.S. PATENT DOCUMENTS
- 2,272,253 2/1942 St. John 254/134.3 CL
- 2,663,544 12/1953 Harley 254/134.3 CL
- 3,057,600 10/1962 Neale, Sr. 254/134.3 CL



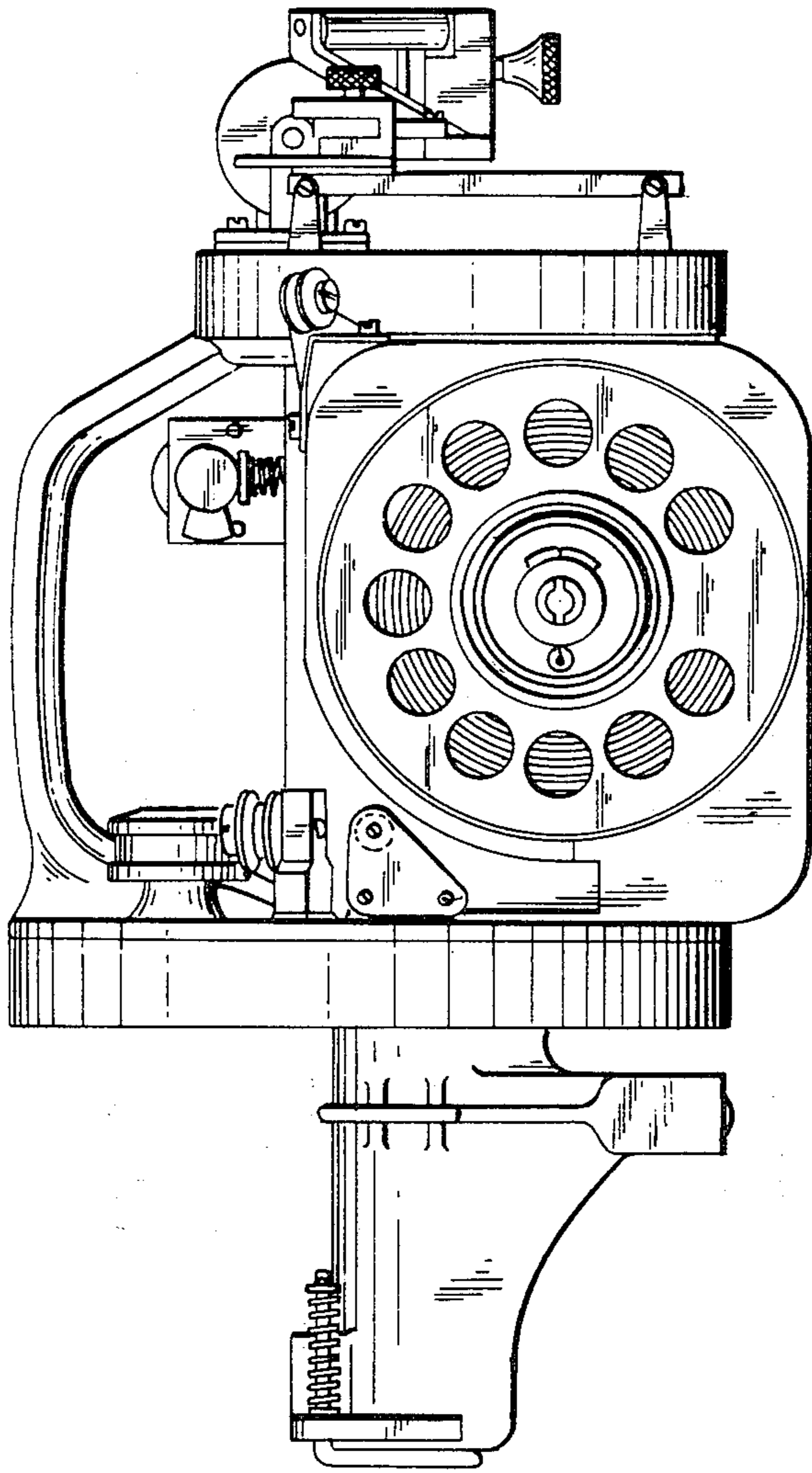
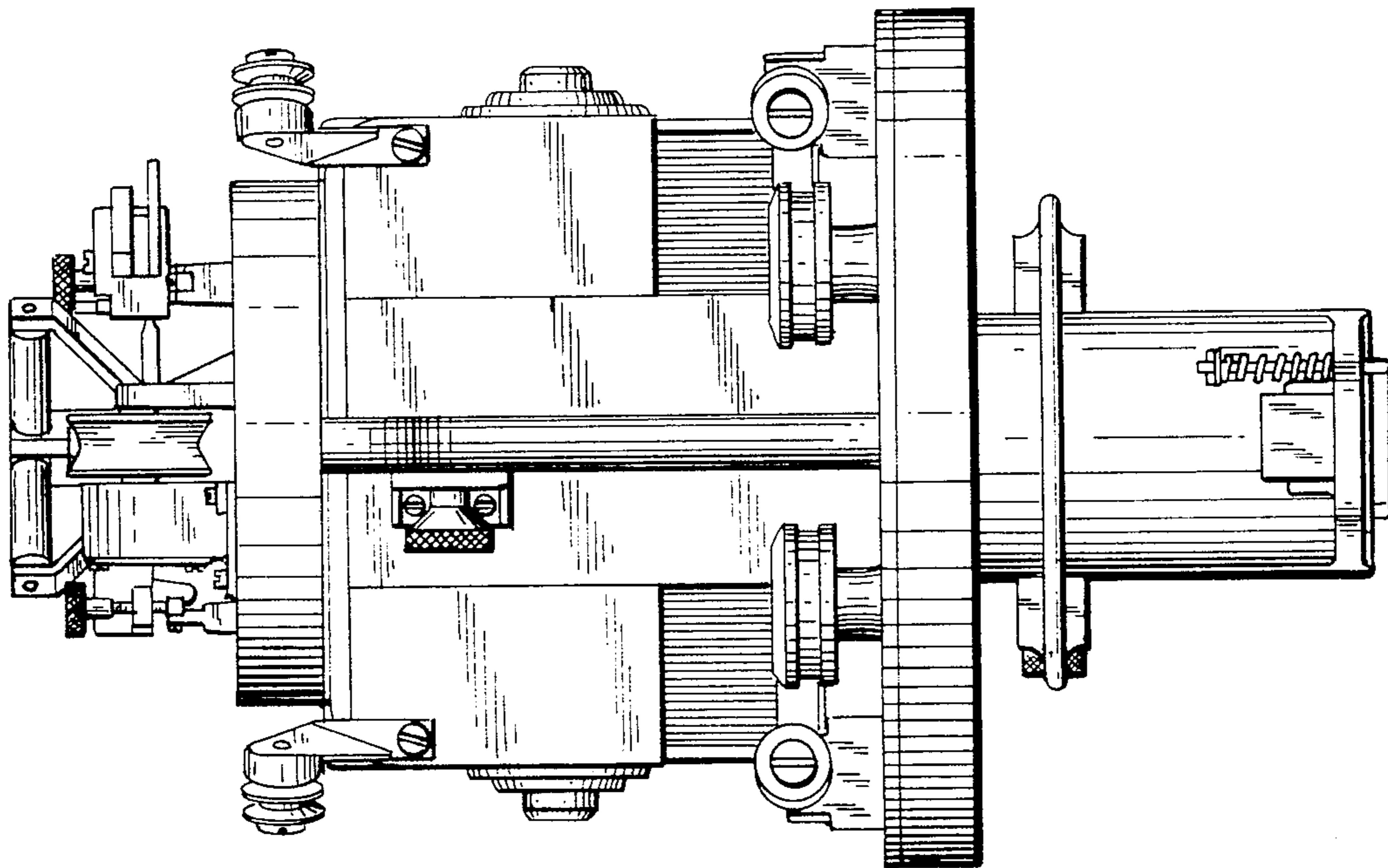
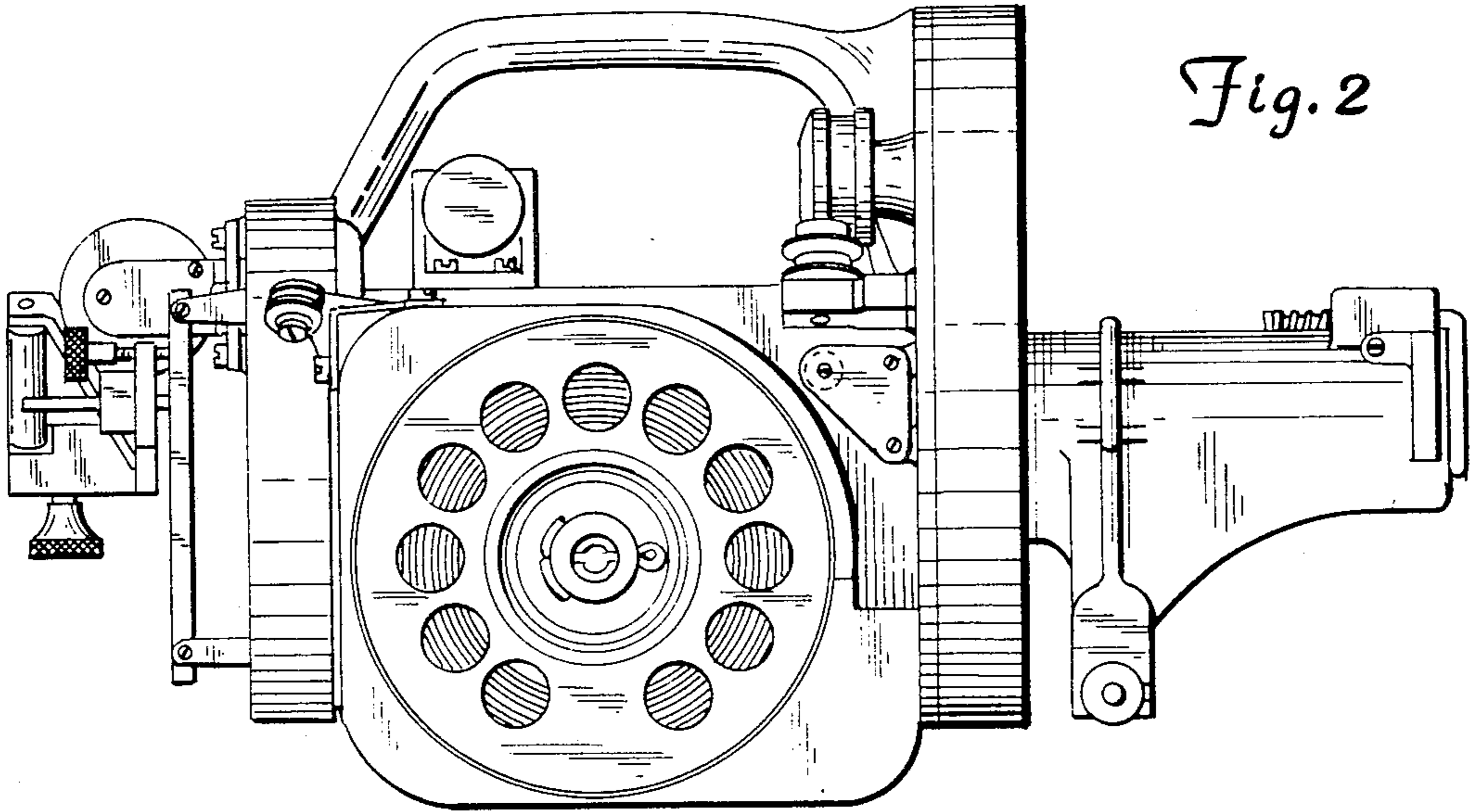


Fig. 1



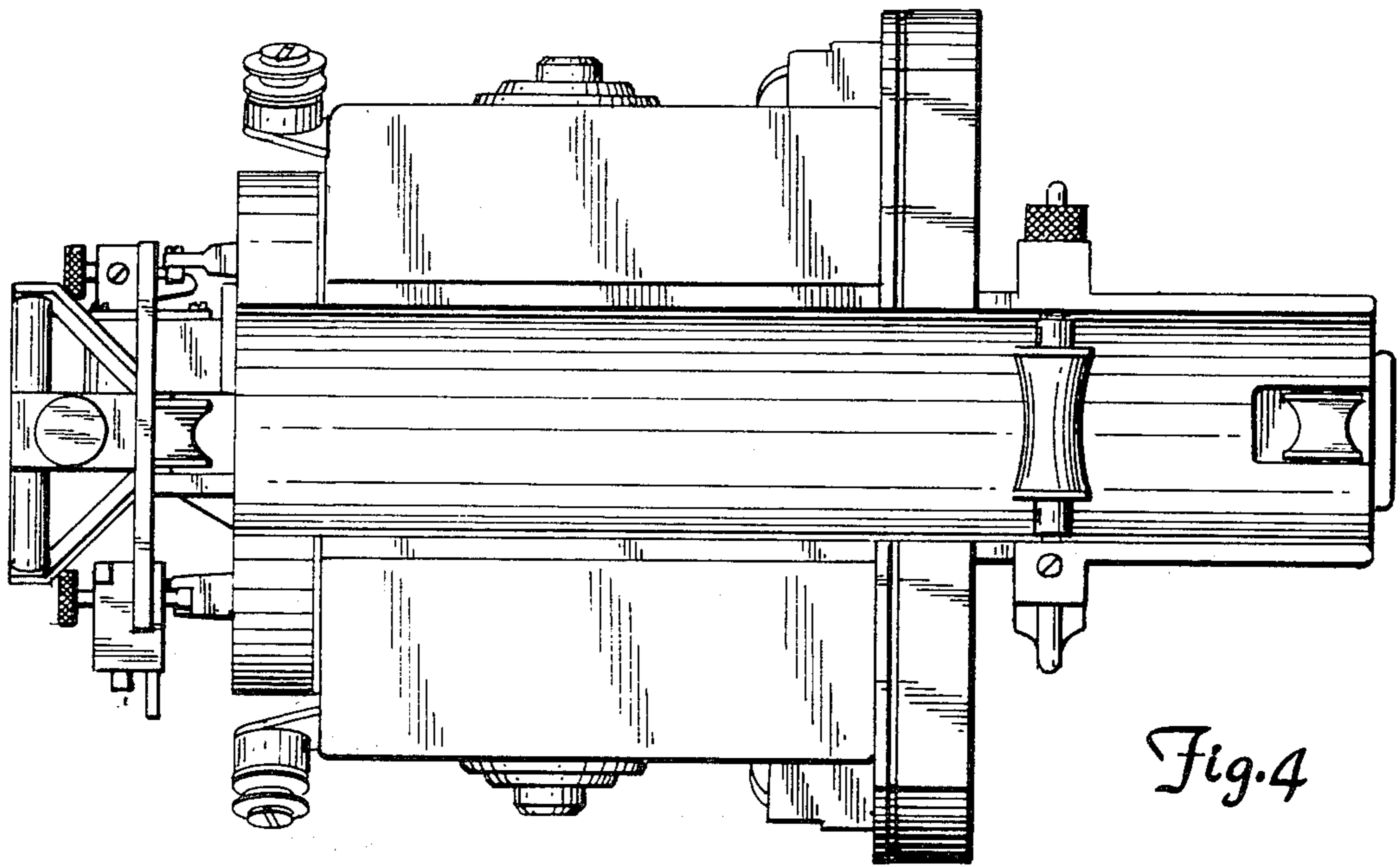


Fig. 4

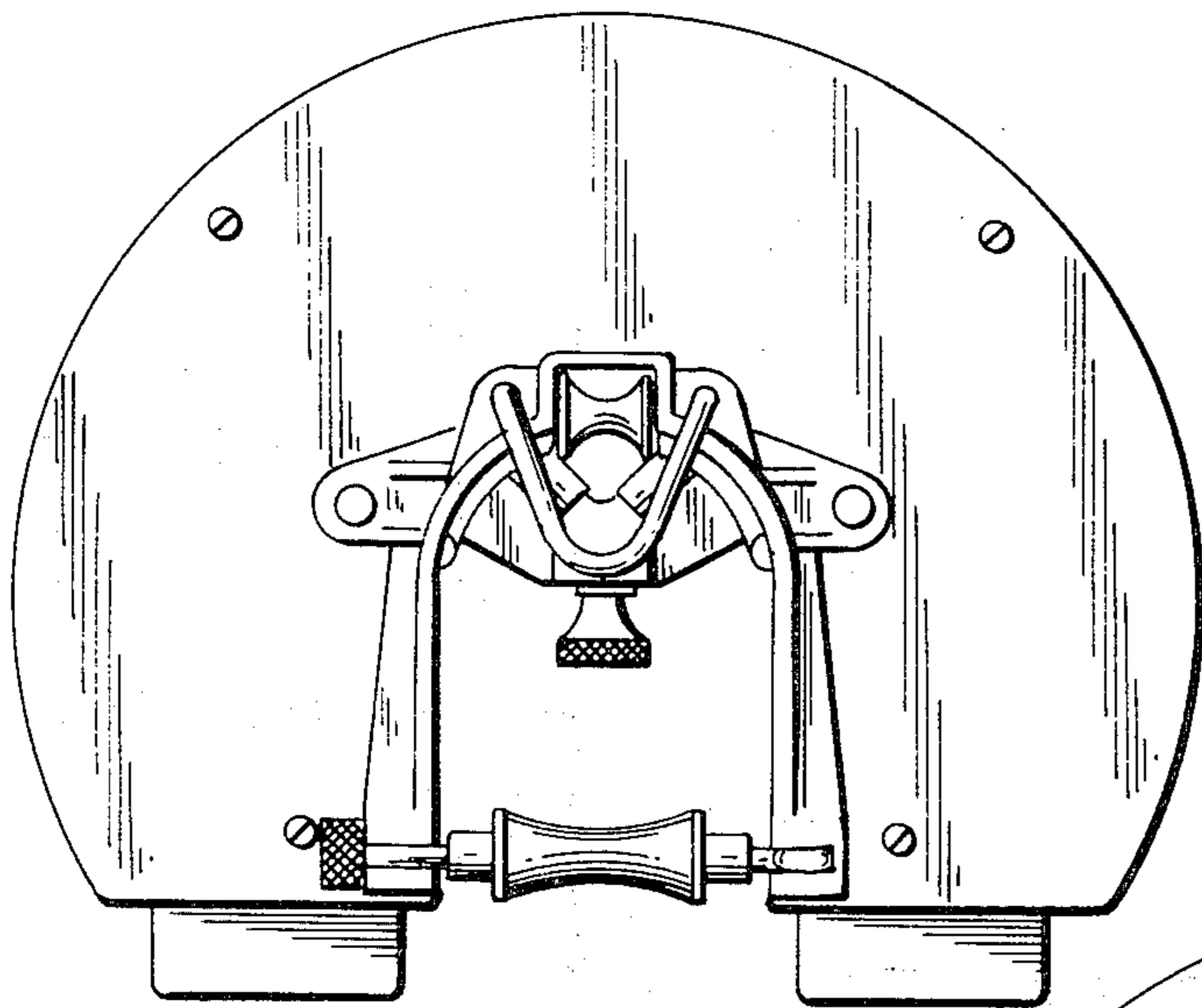


Fig. 5

Fig. 6

